



US00D439388S

(12) **United States Design Patent**
Drew

(10) **Patent No.:** **US D439,388 S**

(45) **Date of Patent:** **** Mar. 20, 2001**

- (54) **MEDICAL MONITOR CHASSIS**
- (75) Inventor: **Guy A. Drew**, San Antonio, TX (US)
- (73) Assignee: **The United States of America as represented by the Secretary of the Army**, Washington, DC (US)
- (**) Term: **14 Years**
- (21) Appl. No.: **29/115,709**
- (22) Filed: **Dec. 21, 1999**
- (51) **LOC (7) Cl.** **12-02**
- (52) **U.S. Cl.** **D34/19; D24/185**
- (58) **Field of Search** **D34/12-27; D24/185, D24/186, 231-234; 280/47.34, 47.35; 312/326, 250; D6/445, 446, 448, 432, 491**

- 5,626,143 5/1997 Meyer, III .
- 5,687,717 11/1997 Halpern et al. .
- 5,701,894 12/1997 Cherry et al. .

OTHER PUBLICATIONS

Drew et al., "Signal Distribution System for Biomedical Data Acquisition," Jewish Hospital Heart and Lung Institute, Aug. 1999, pp. 1-4.

* cited by examiner

Primary Examiner—Kay H. Chin

(74) *Attorney, Agent, or Firm*—Elizabeth Arwine; Charles H. Harris

(57) **CLAIM**

The ornamental design for a medical monitor chassis, as shown and described.

DESCRIPTION

FIG. 1 is a perspective view of the medical monitor chassis; FIG. 2 is a front view of the medical monitor chassis; FIG. 3 is a rear view of the medical monitor chassis; FIG. 4 is a right side view of the medical monitor chassis; FIG. 5 is a left side view of the medical monitor chassis; FIG. 6 is a top view of the medical monitor chassis; and, FIG. 7 is a bottom view of the medical monitor chassis.

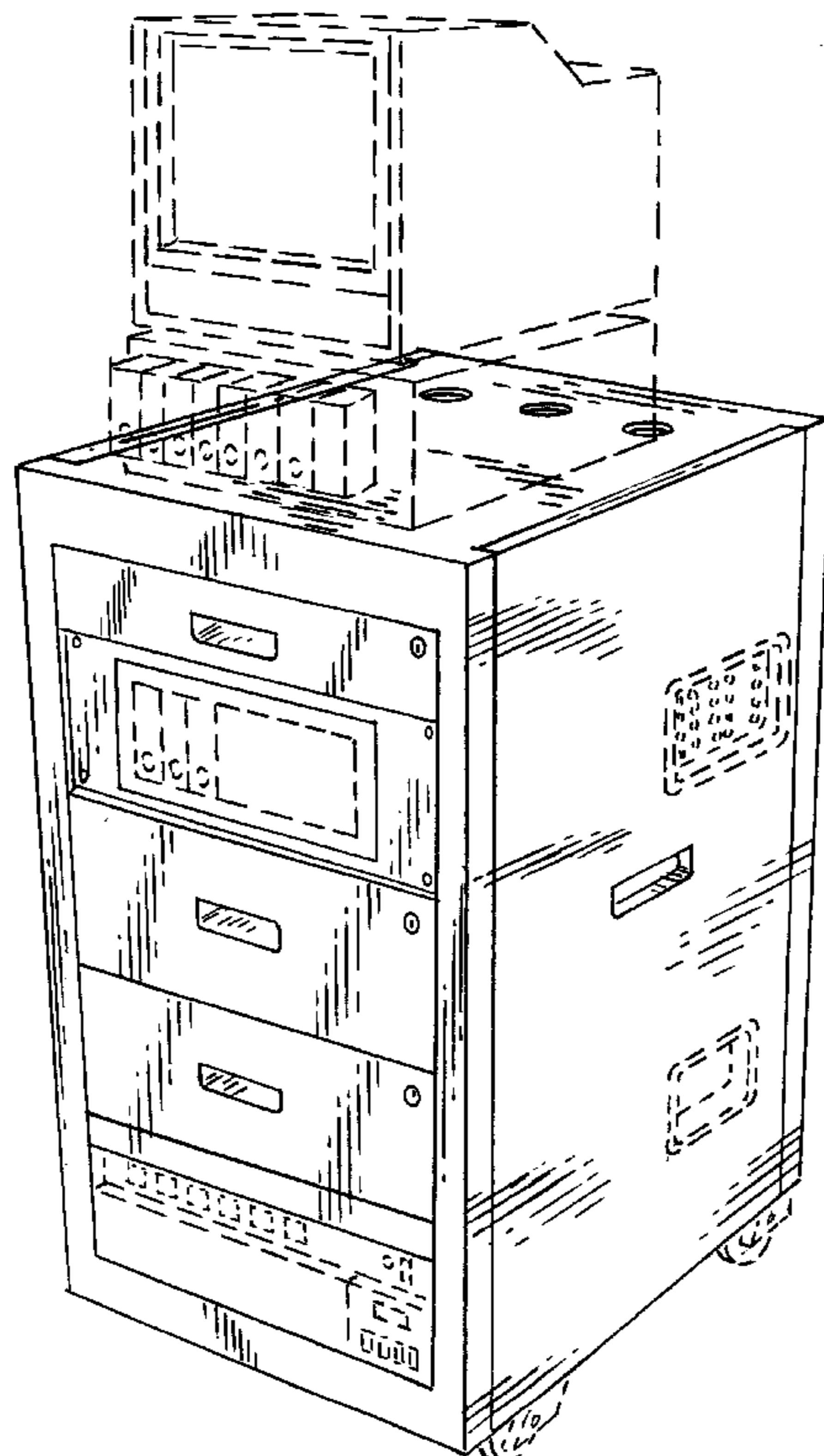
The broken line illustration in the figures relates to environmental structure and is not part of the design sought to be patented.

1 Claim, 5 Drawing Sheets

(56) **References Cited**

U.S. PATENT DOCUMENTS

- D. 283,769 * 5/1986 Cohn D6/446
- D. 300,359 3/1989 Lee et al. .
- D. 321,340 11/1991 Savio .
- D. 328,645 8/1992 Rogler et al. .
- D. 332,314 * 1/1993 Torai et al. D24/231
- D. 336,707 * 6/1993 Teufel et al. D34/20
- D. 340,770 10/1993 Ohnuma et al. .
- D. 347,896 * 6/1994 Dickinson et al. D24/185
- D. 370,328 * 5/1996 Mathews et al. D34/19
- D. 392,158 * 3/1998 Maddux D7/601
- 5,433,209 7/1995 Gallant et al. .



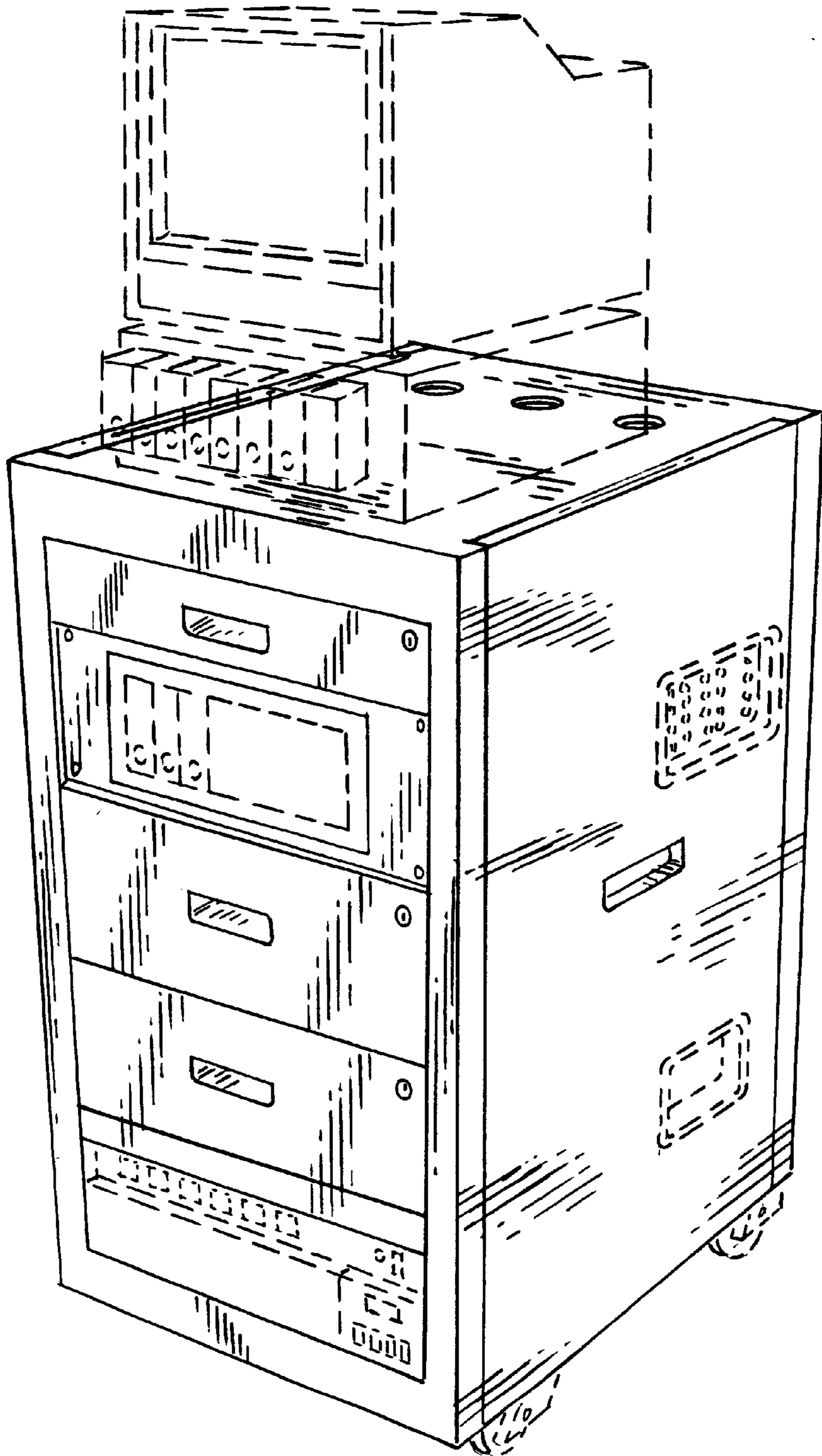


FIG. 1

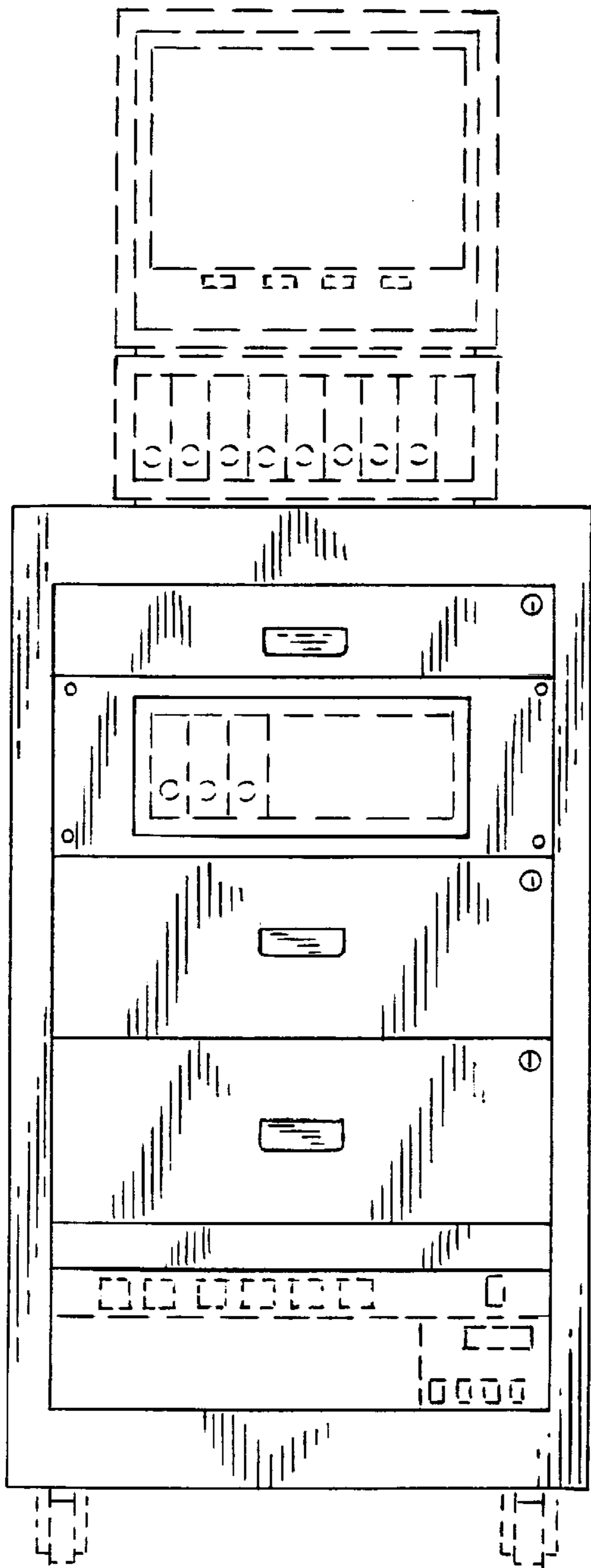


FIG. 2

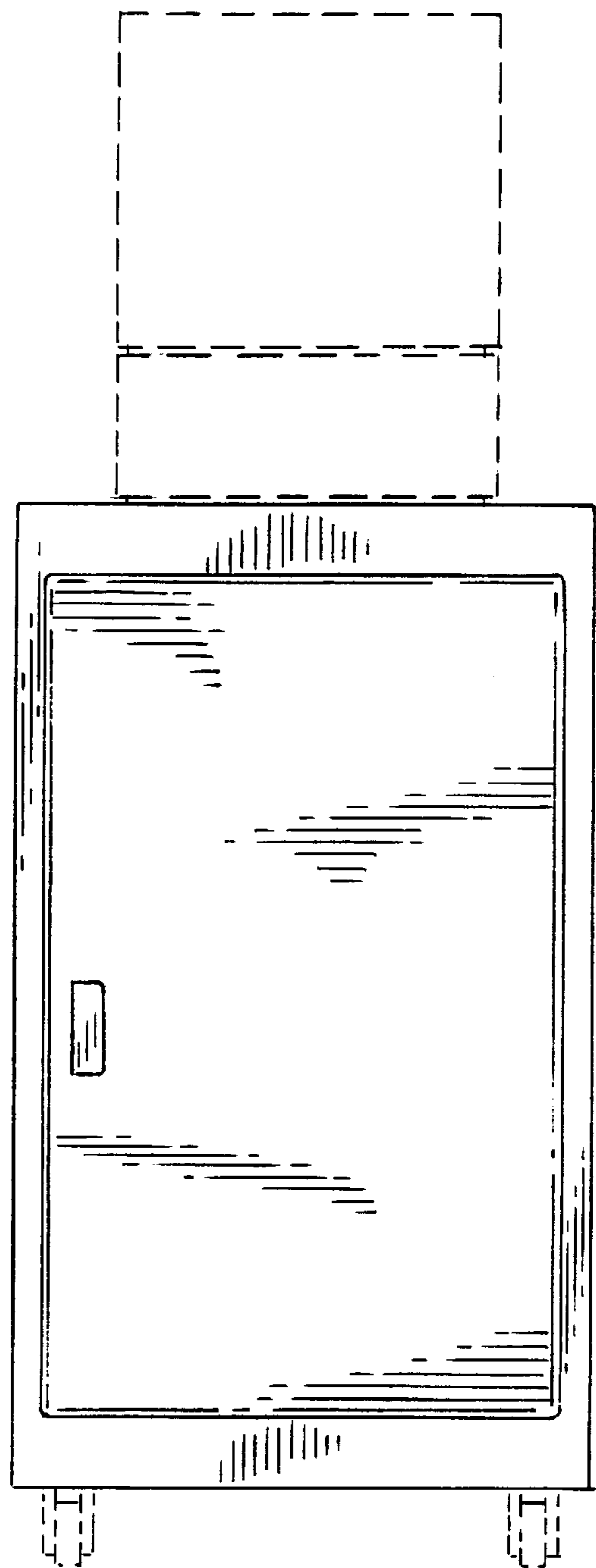


FIG. 3

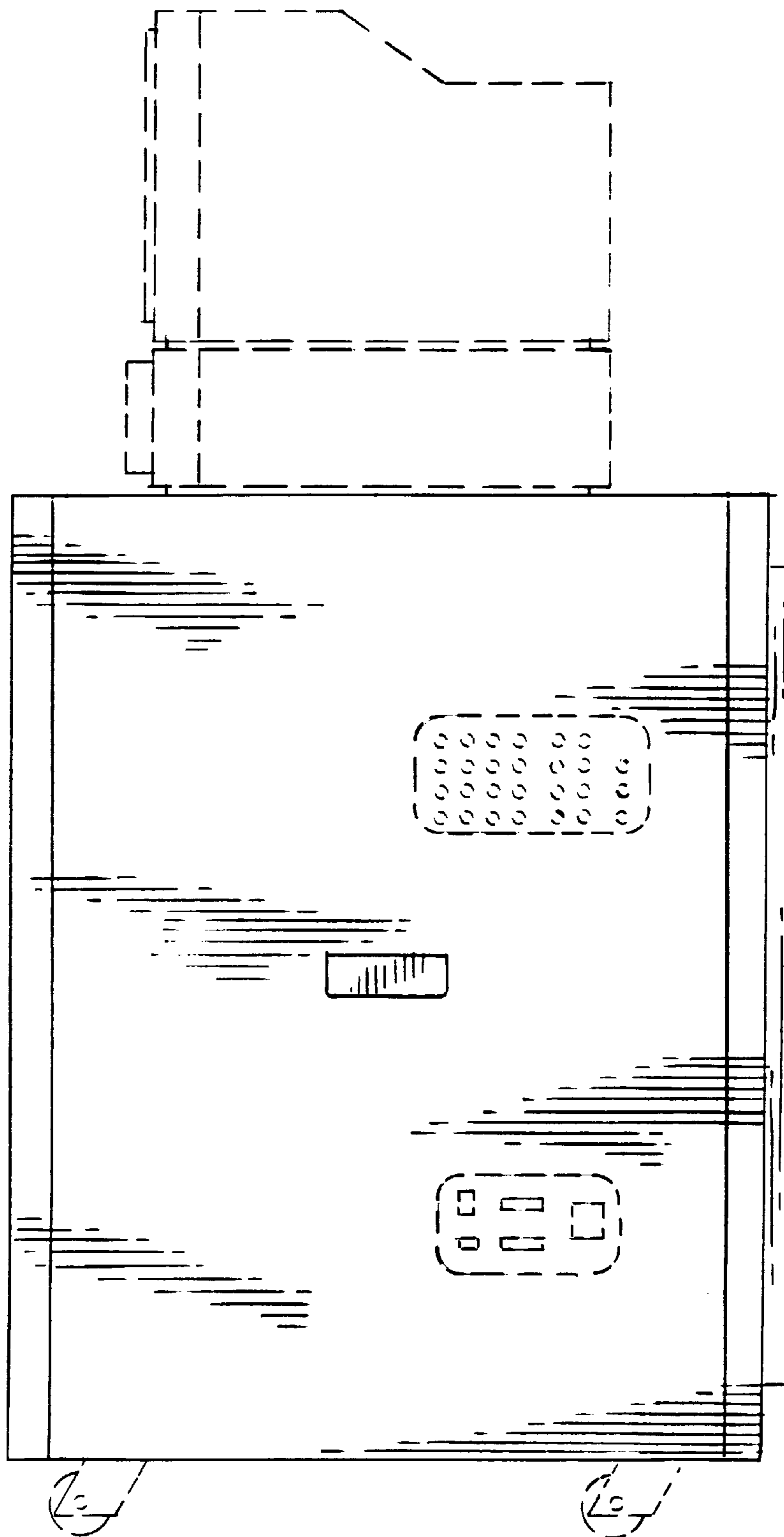


FIG. 4

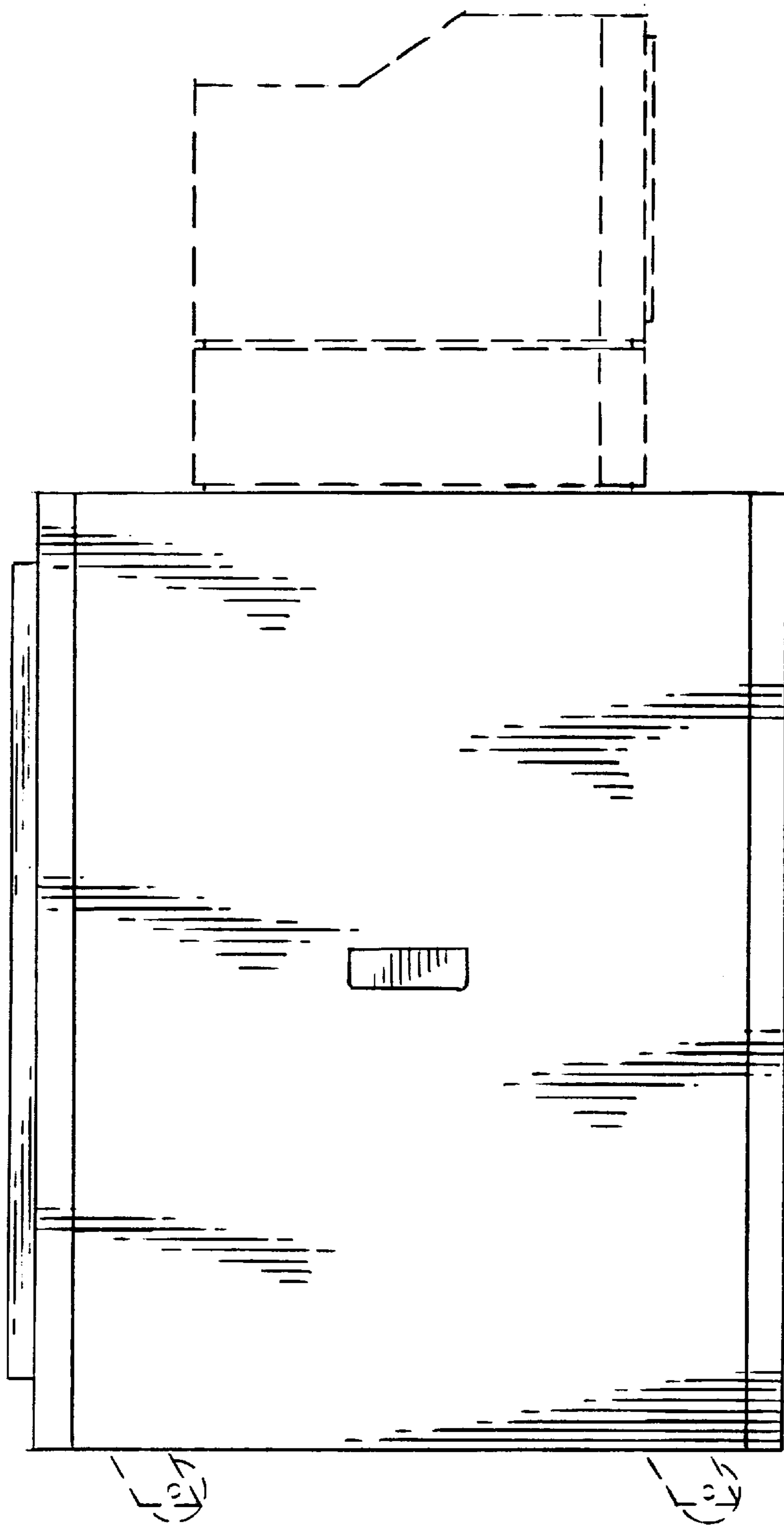


FIG. 5

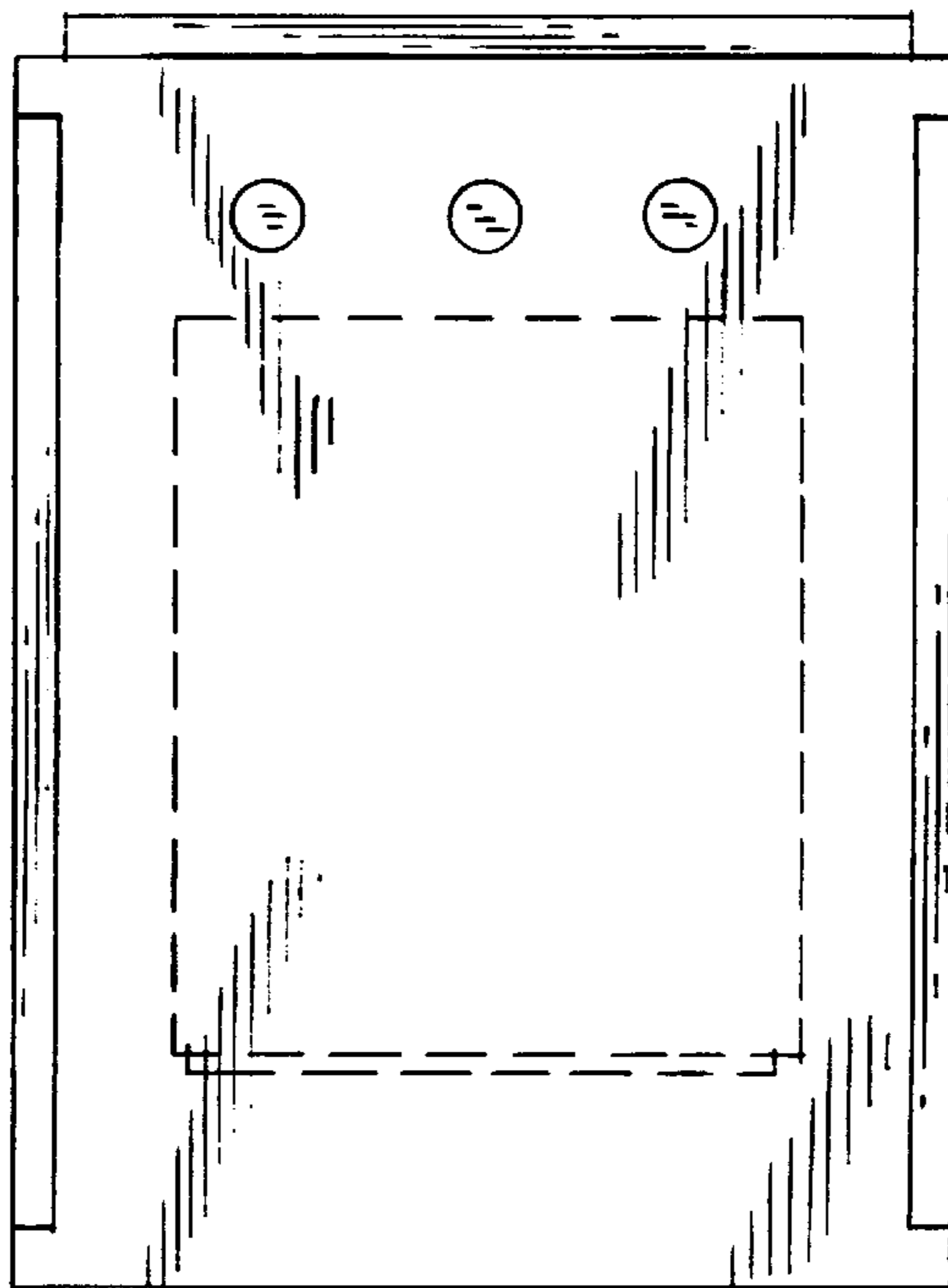


FIG. 6

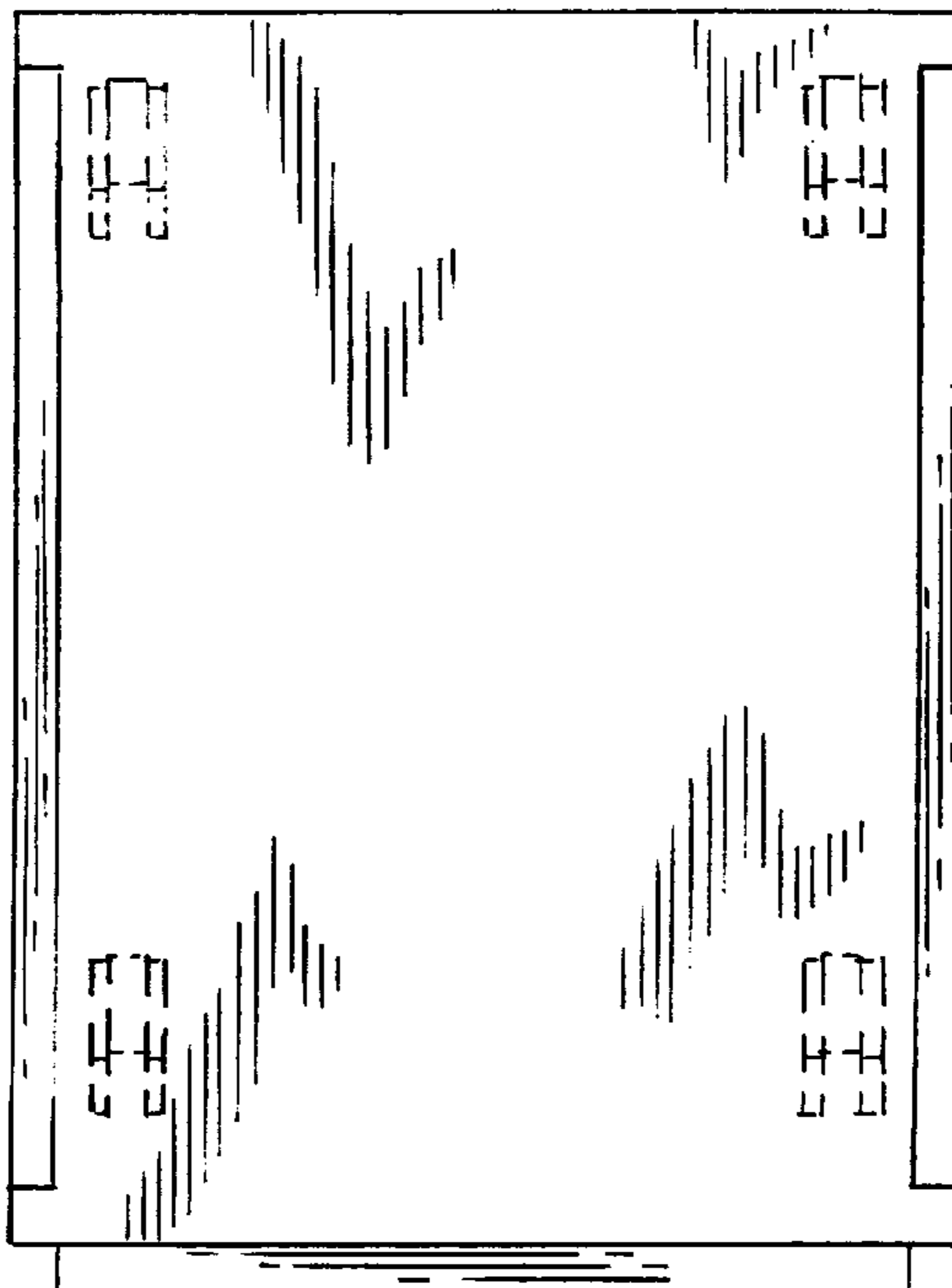


FIG. 7

UNITED STATES PATENT AND TRADEMARK OFFICE
CERTIFICATE OF CORRECTION

PATENT NO. : D439,388
DATED : March 20, 2001
INVENTOR(S) : Drew

Page 1 of 1

It is certified that error appears in the above-identified patent and that said Letters Patent is hereby corrected as shown below:

Page1, insert the following as the first paragraph of text:

--The U.S. Government has a paid-up license in this invention and the right in limited circumstances to require the patent owner to license others on reasonable terms as provided for by the terms of contract No. TPD-99-C-30009 awarded by the U.S. Department of Treasury.--

Signed and Sealed this
Nineteenth Day of June, 2001

Attest:

Nicholas P. Godici

Attesting Officer

NICHOLAS P. GODICI
Acting Director of the United States Patent and Trademark Office

UNITED STATES PATENT AND TRADEMARK OFFICE
CERTIFICATE OF CORRECTION

PATENT NO. : Des 439,388S
DATED : March 20, 2001
INVENTOR(S) : Drew

Page 1 of 1

It is certified that error appears in the above-identified patent and that said Letters Patent is hereby corrected as shown below:

Please delete item [73] Assignee: **The United States of America as represented by the Secretary of the Army, Washington, DC (US)**

Signed and Sealed this

Ninth Day of October, 2001

Attest:

Nicholas P. Godici

Attesting Officer

NICHOLAS P. GODICI
Acting Director of the United States Patent and Trademark Office