



US00D439387S

(12) **United States Design Patent**  
**Ancona et al.**

(10) **Patent No.:** **US D439,387 S**  
(45) **Date of Patent:** **\*\* Mar. 20, 2001**

(54) **LINT ROLLER SPONGE MOP COMBINATION**

(75) Inventors: **Bruce E. Ancona; Louis E. Henry,**  
both of New York, NY (US)

(73) Assignee: **EKCO Housewares, Inc.,** Franklin  
Park, IL (US)

(\*\*) Term: **14 Years**

(21) Appl. No.: **29/092,483**

(22) Filed: **Aug. 20, 1998**

(51) **LOC (7) Cl.** ..... **04-01**

(52) **U.S. Cl.** ..... **D32/42**

(58) **Field of Search** ..... D32/35, 40, 42,  
D32/44, 50-51; D4/122; 15/143.1, 116.2,  
119.2, 228, 230.11, 104.002, 105, 114

(56) **References Cited**

**U.S. PATENT DOCUMENTS**

2,079,452	*	5/1937	Hunter	.....	15/104.002	X
2,653,337	*	9/1953	Bathurst	.....	15/119.2	
3,742,547	*	7/1973	Sohmer	.....	15/104.002	
4,875,246	*	10/1989	MacGregor	.....	15/119.2	
5,548,861	*	8/1996	Hukuba	.....	15/104.002	

\* cited by examiner

*Primary Examiner*—Alan P. Douglas

*Assistant Examiner*—Lavone Tabor

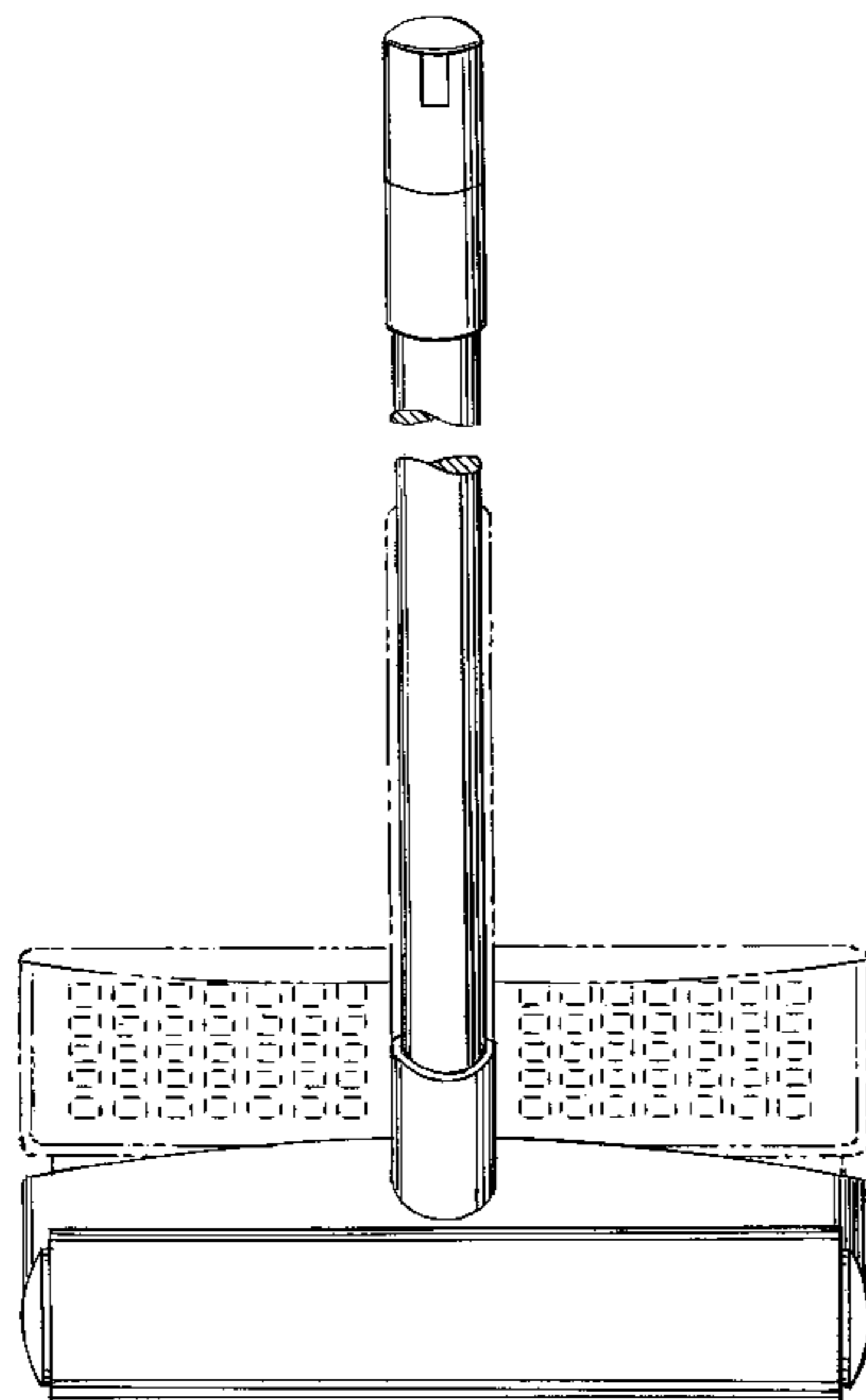
(74) *Attorney, Agent, or Firm*—Ross, Ross & Flavin

(57) **CLAIM**

The ornamental design for a lint roller sponge mop combination, as shown and described.

**DESCRIPTION**

FIG. 1 is a front elevational view of a lint roller sponge mop



combination embodying our new design, with the handle being broken away to show indeterminate length and the broken lines showing the sponge, and the sponge compression means being for illustrative purposes only and forming no part of the claimed design;

FIG. 2 is a top plan view thereof;

FIG. 3 is a left side elevational view thereof, the right side being a mirror image;

FIG. 4 is a top plan view of the mop head only, with all of the other components omitted for clarity of illustration;

FIG. 5 is a top plan view of the mop head and roller frame, with all of the other components omitted for clarity of illustration.

FIG. 6 is a rear elevational view of the roller frame only, with all of the other components omitted for clarity of illustration;

FIG. 7 is a top plan view of FIG. 6;

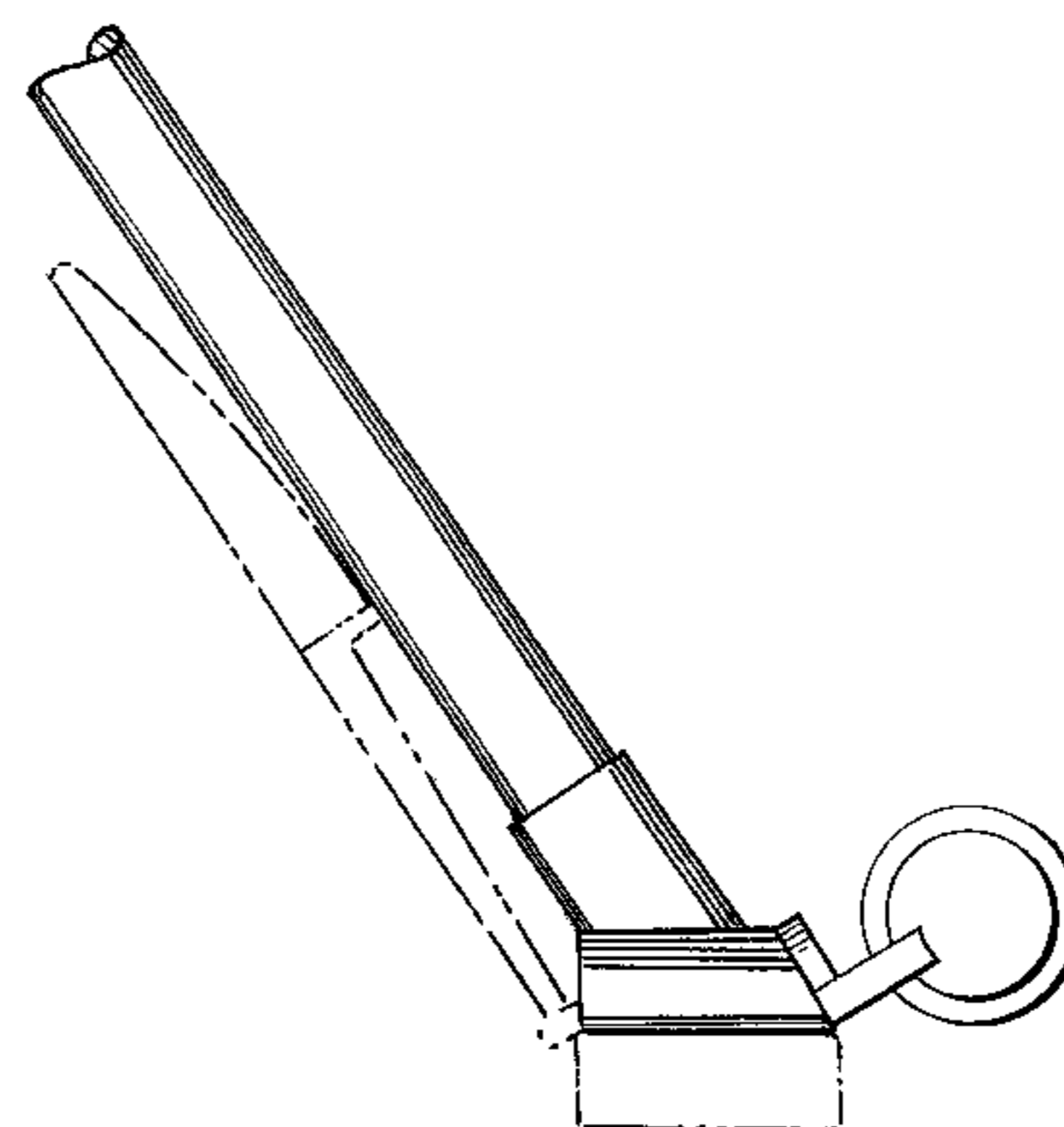
FIG. 8 is a left side elevational view of FIG. 7, the right side being a mirror image; and,

FIG. 9 is a fragmentary side elevational view of the top of the handle of FIG. 1, the opposite side being a mirror image.

The rear of the lint roller sponge mop combination neither shown in the drawings nor described in the specification forms no part of the claimed design.

The lint roller sponge mop combination is partially shown in FIGS. 3 and 9 for ease of illustration.

**1 Claim, 4 Drawing Sheets**



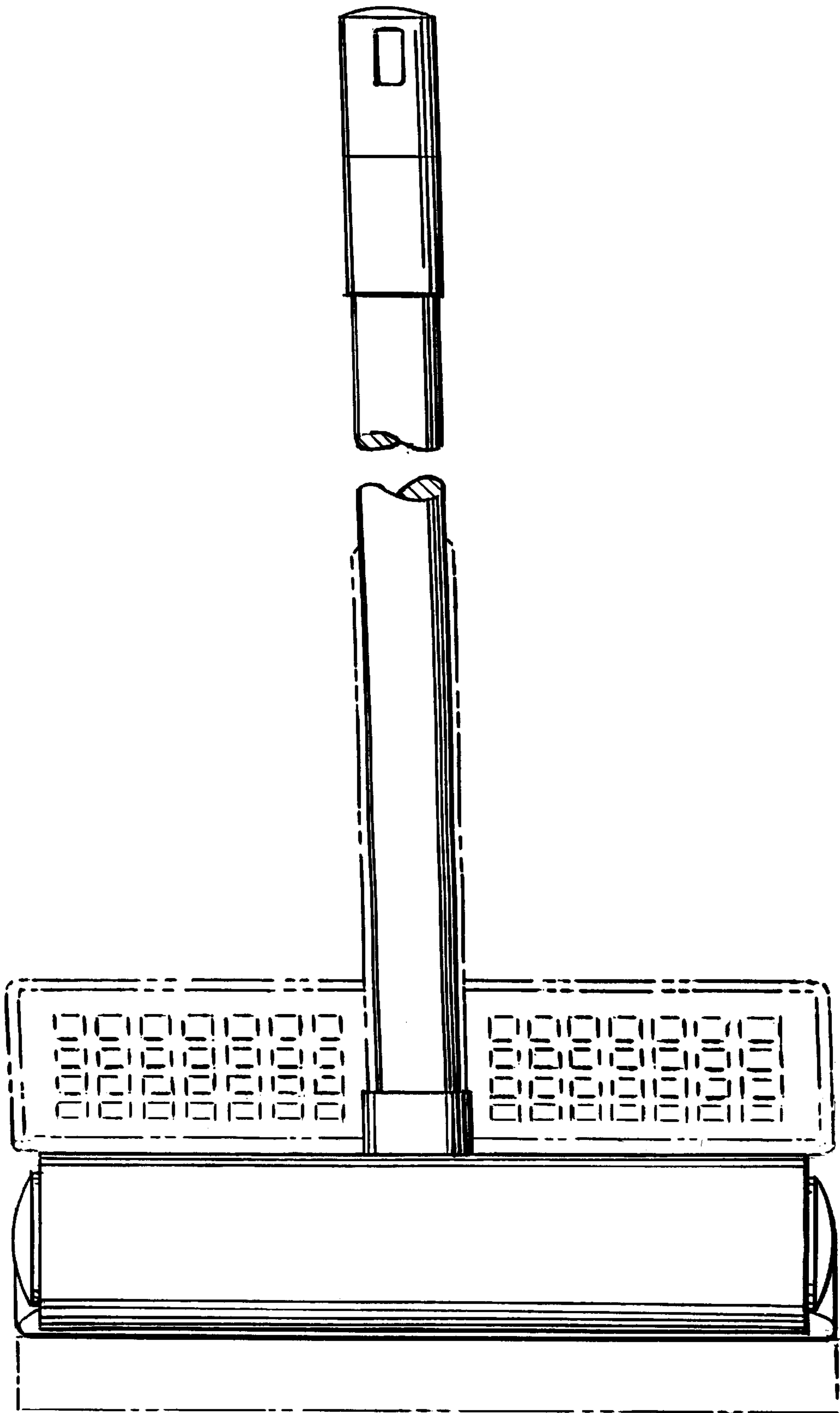


FIG. 1.

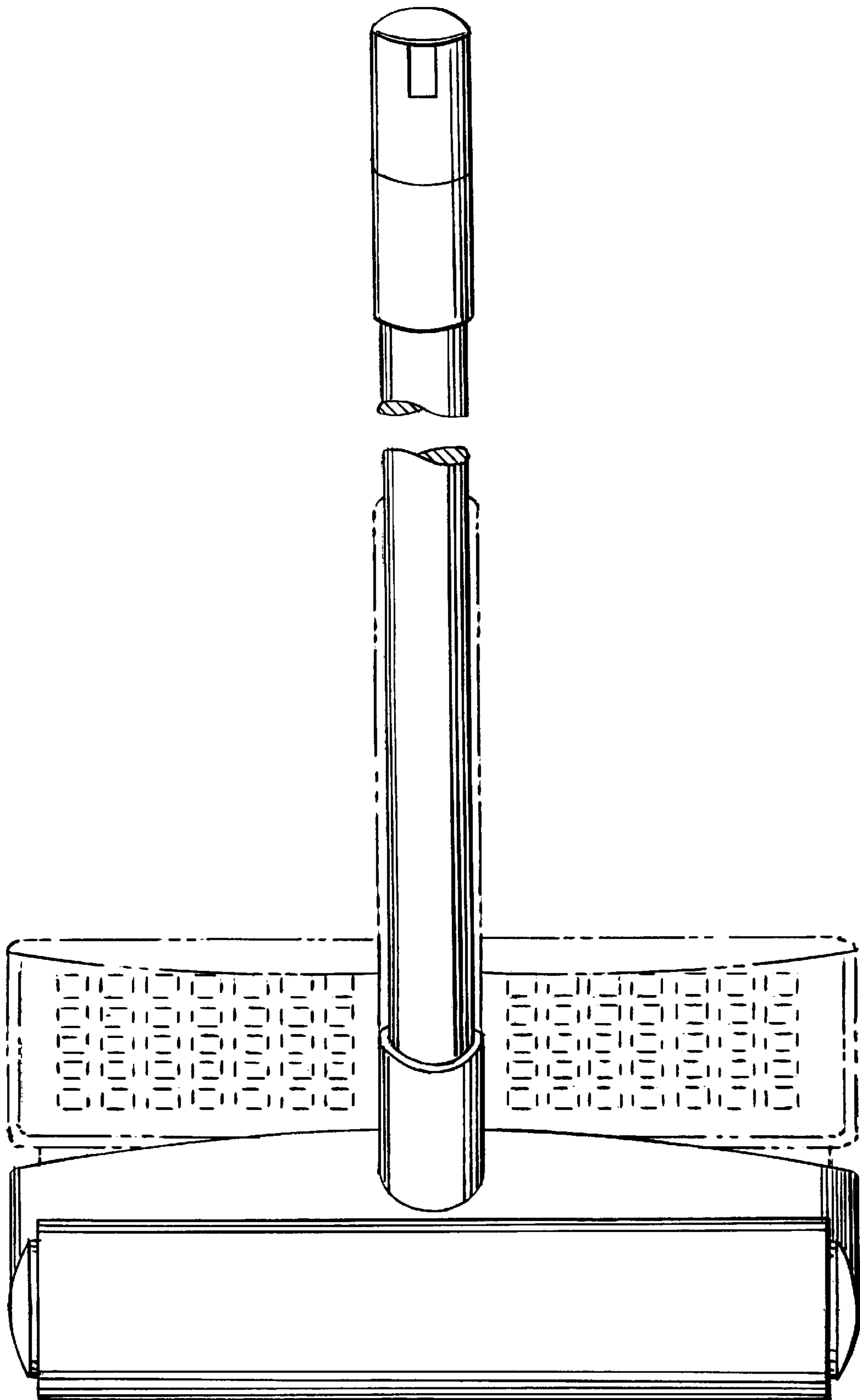


FIG. 2.

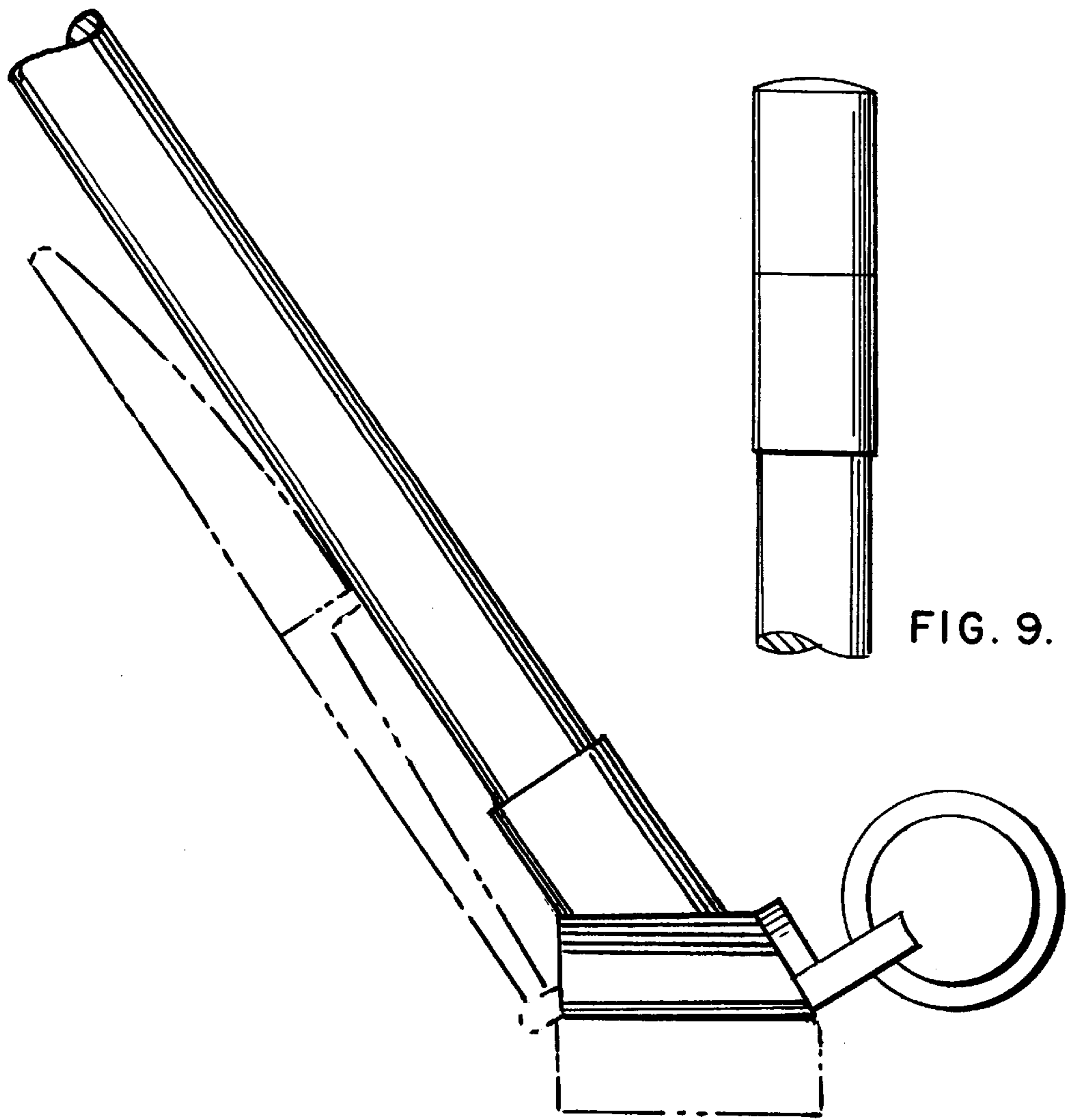


FIG. 3.

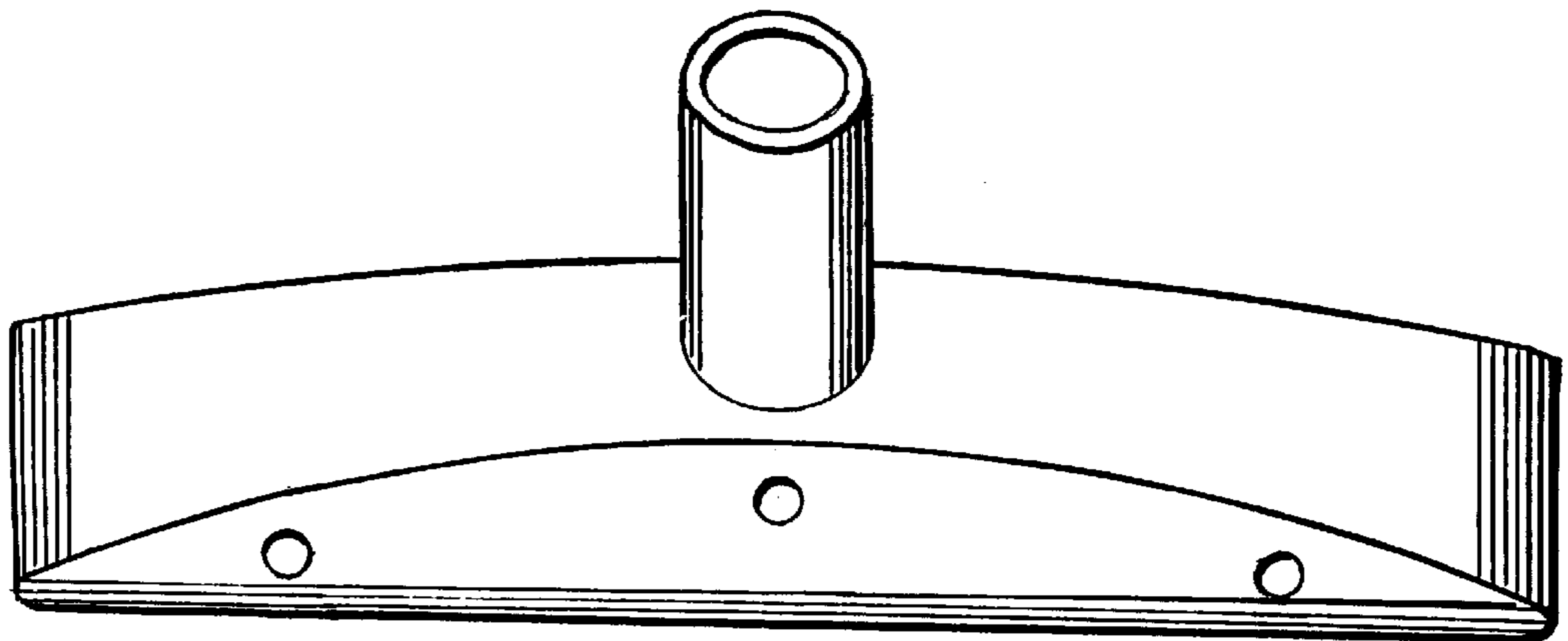


FIG. 4.

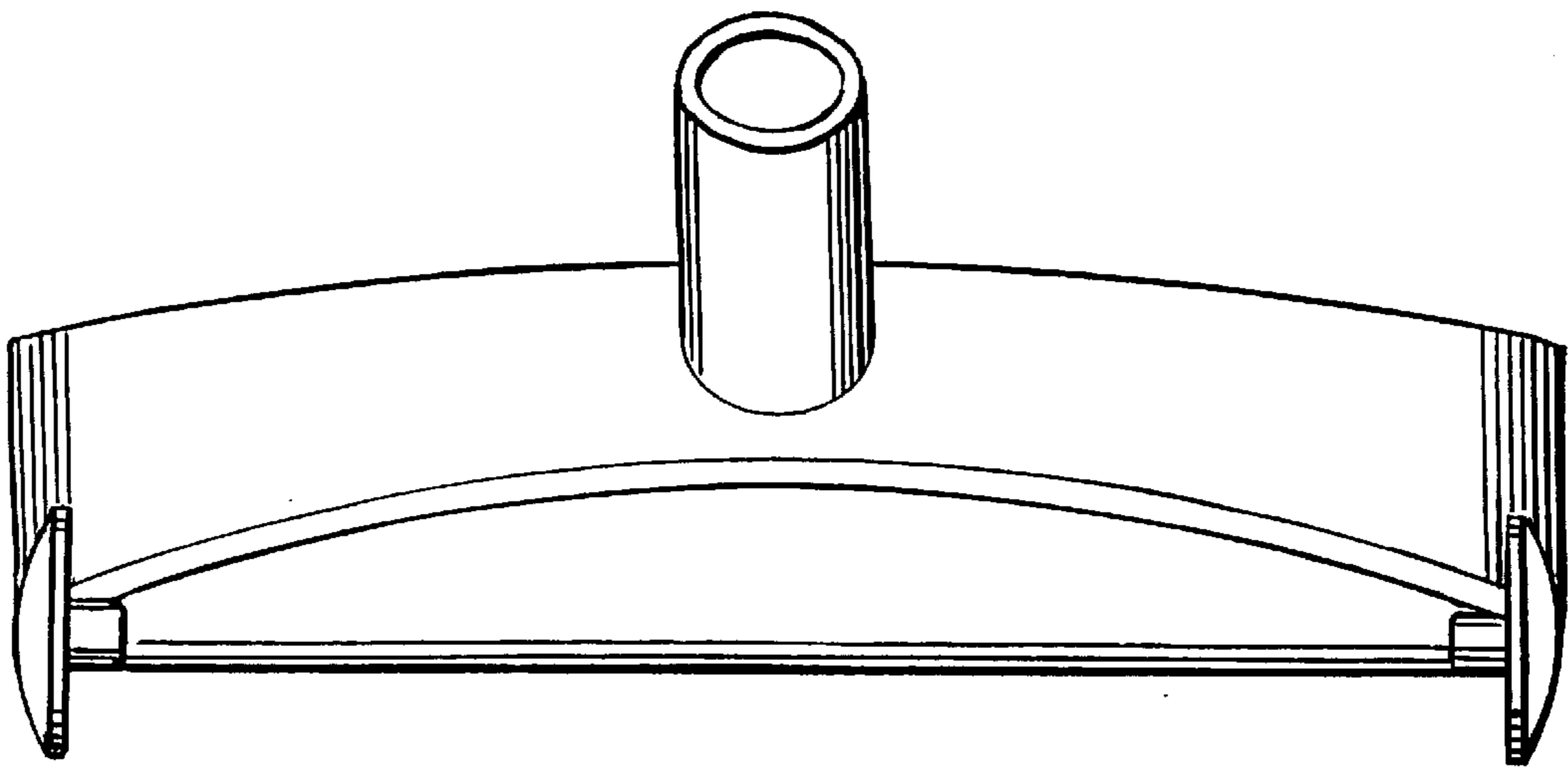


FIG. 5.

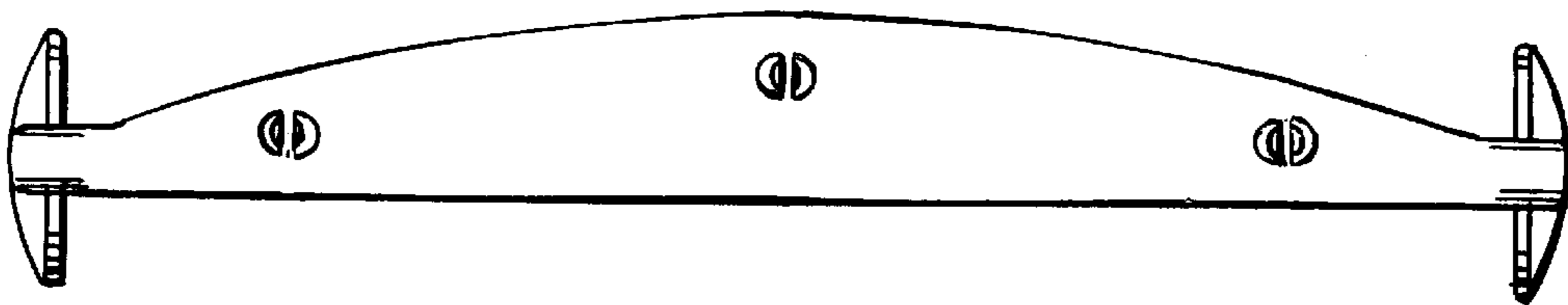


FIG. 6.

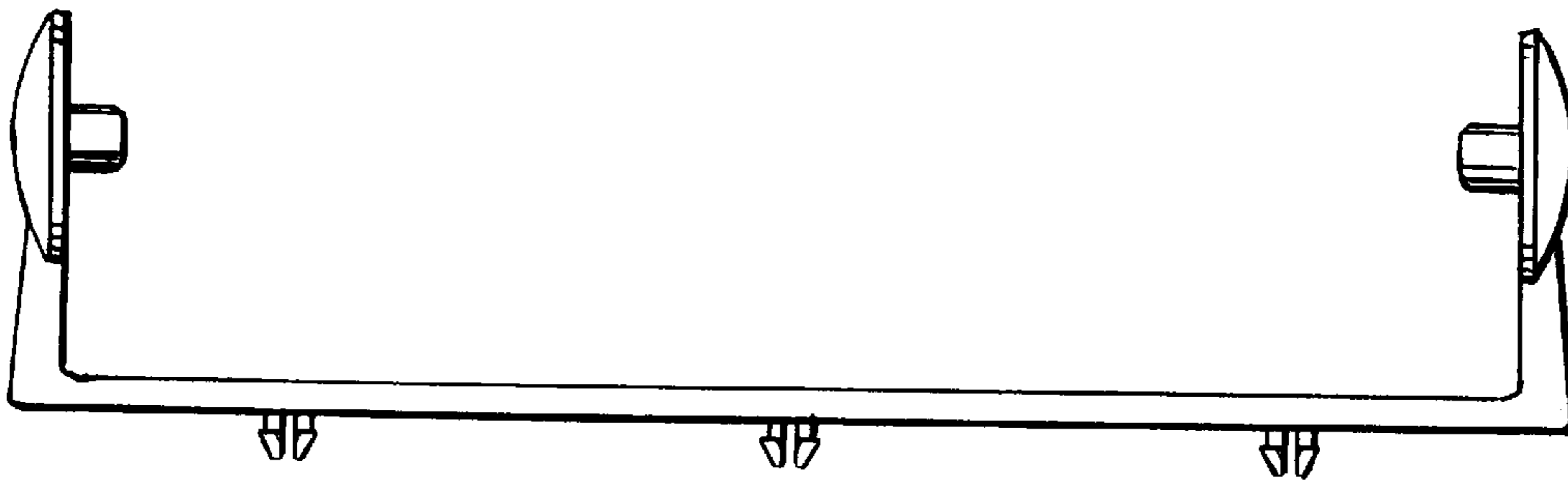


FIG. 7.

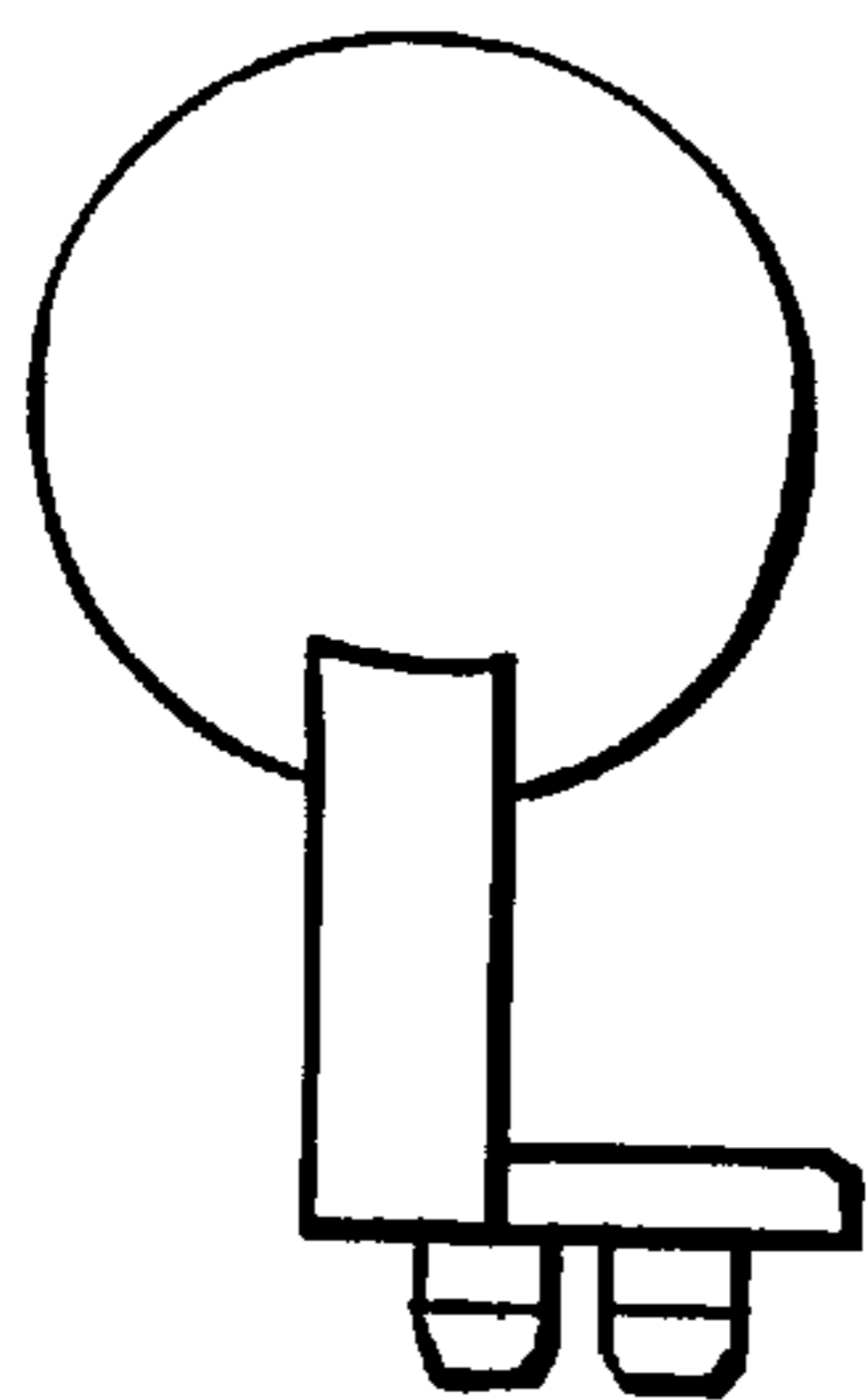


FIG. 8.