



US00D439384S

(12) **United States Design Patent**  
**Medema**

(10) **Patent No.:** **US D439,384 S**

(45) **Date of Patent:** **\*\* Mar. 20, 2001**

(54) **EXTRACTOR BASE**

(75) **Inventor:** **Douglas J. Medema**, Belding, MI (US)

(73) **Assignee:** **Bissell Homecare, Inc.**, Grand Rapids, MI (US)

(\*\*) **Term:** **14 Years**

(21) **Appl. No.:** **29/121,755**

(22) **Filed:** **Apr. 12, 2000**

(51) **LOC (7) Cl.** ..... **15-05**

(52) **U.S. Cl.** ..... **D32/32; D32/31**

(58) **Field of Search** ..... **D32/1, 22, 25, D32/31-34; 15/347, 350, 352, 353, 335, 337, 320-322, 361, 379, 400, 410, 415.1-422.1, 331, 334**

(56) **References Cited**

**U.S. PATENT DOCUMENTS**

- D. 305,269 12/1989 Dyson .
- D. 343,707 1/1994 Dyson .
- D. 346,679 5/1994 Bradd et al. .
- D. 352,809 11/1994 Reath .
- D. 358,241 5/1995 Bradd .
- D. 385,072 10/1997 Bradd .

- D. 387,522 12/1997 Medema .
- D. 393,112 3/1998 Essex et al. .
- D. 406,928 \* 3/1999 Rowley et al. .... D32/22
- D. 420,179 2/2000 Medema et al. .
- D. 431,098 \* 9/2000 Saunders et al. .... D32/31
- D. 431,887 \* 10/2000 Bradd et al. .... D32/31
- 6,081,962 \* 7/2000 Kasen et al. .... 15/353

\* cited by examiner

*Primary Examiner*—Ruth McInroy

(74) *Attorney, Agent, or Firm*—Rader, Fishman, Grauer & Mc Garry, an Office of Rader, Fishman & Grauer PLLC

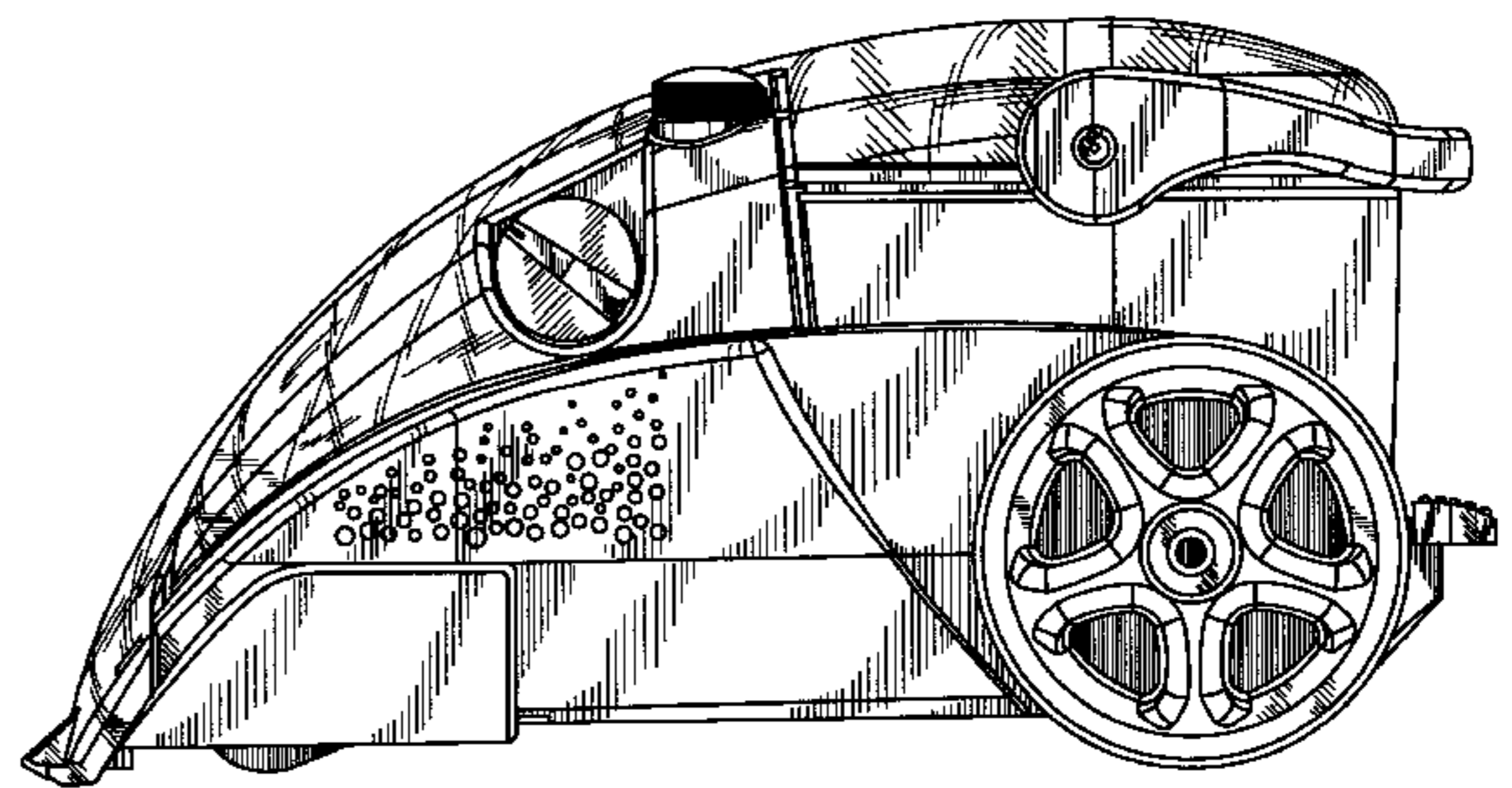
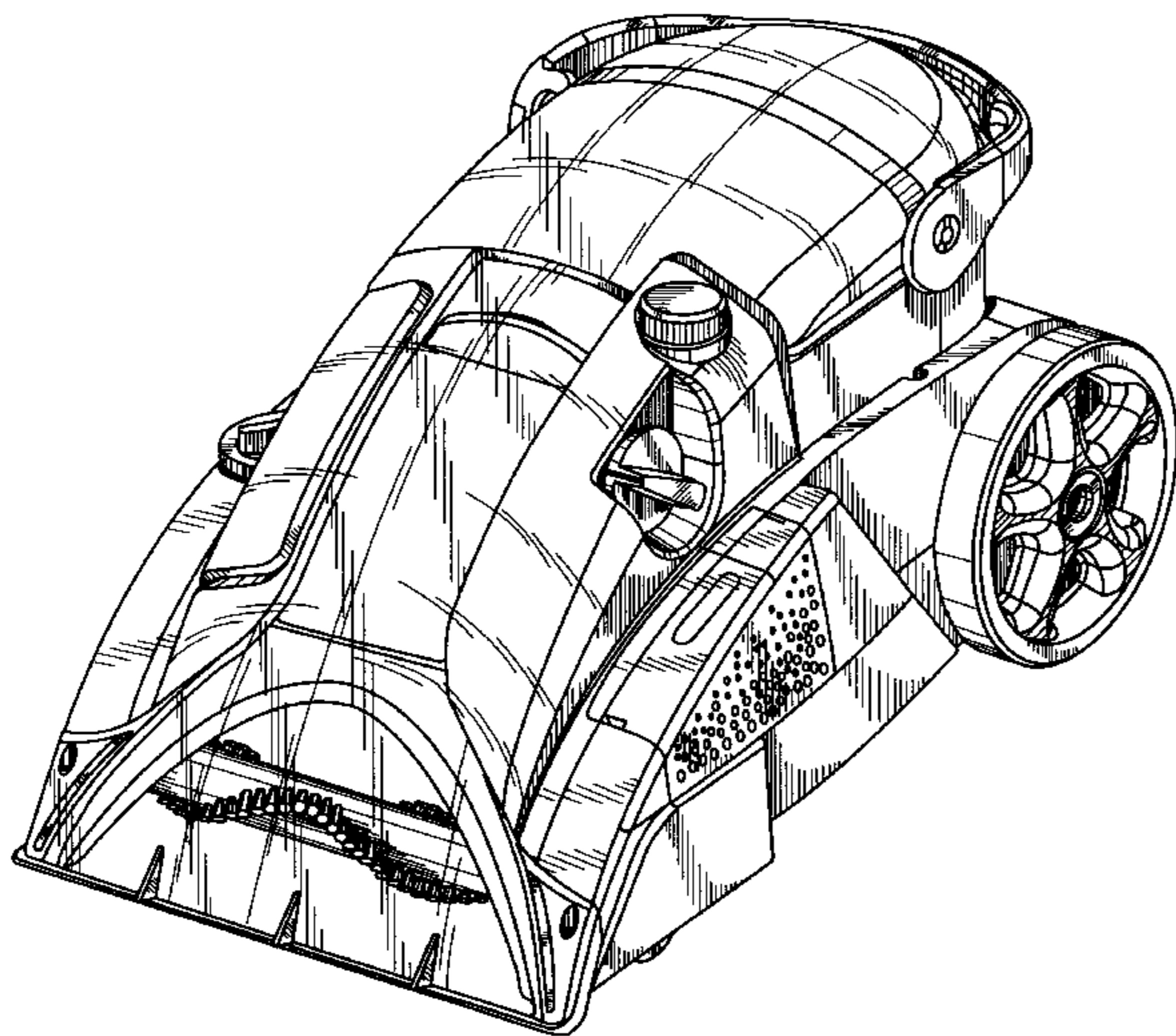
(57) **CLAIM**

The ornamental design for an extractor base, as shown and described.

**DESCRIPTION**

FIG. 1 is a perspective view of an extractor base showing my new design;  
 FIG. 2 is a right side view thereof;  
 FIG. 3 is a left side view thereof;  
 FIG. 4 is a front view thereof;  
 FIG. 5 is a rear view thereof; and,  
 FIG. 6 is a top view thereof.

**1 Claim, 4 Drawing Sheets**



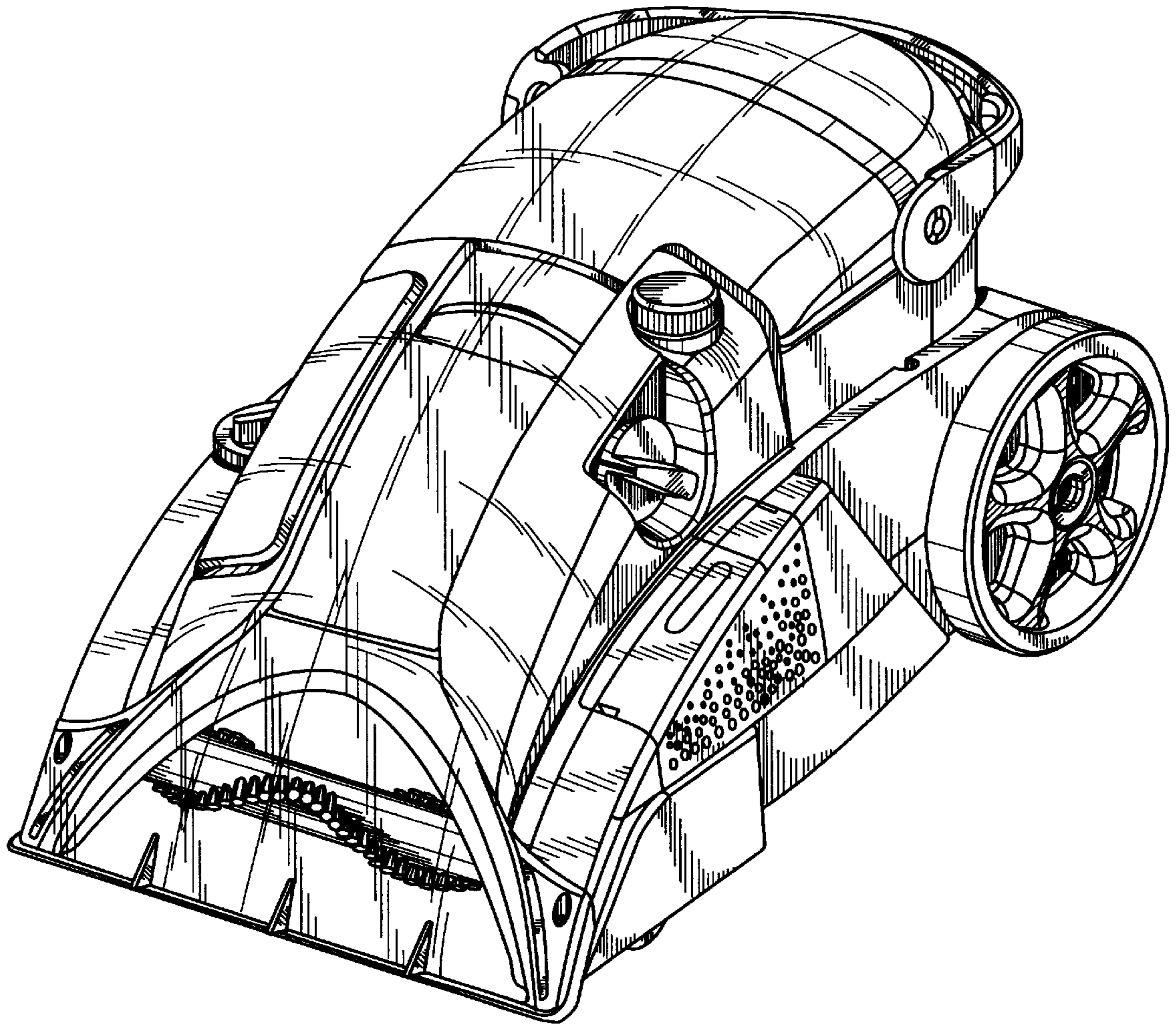
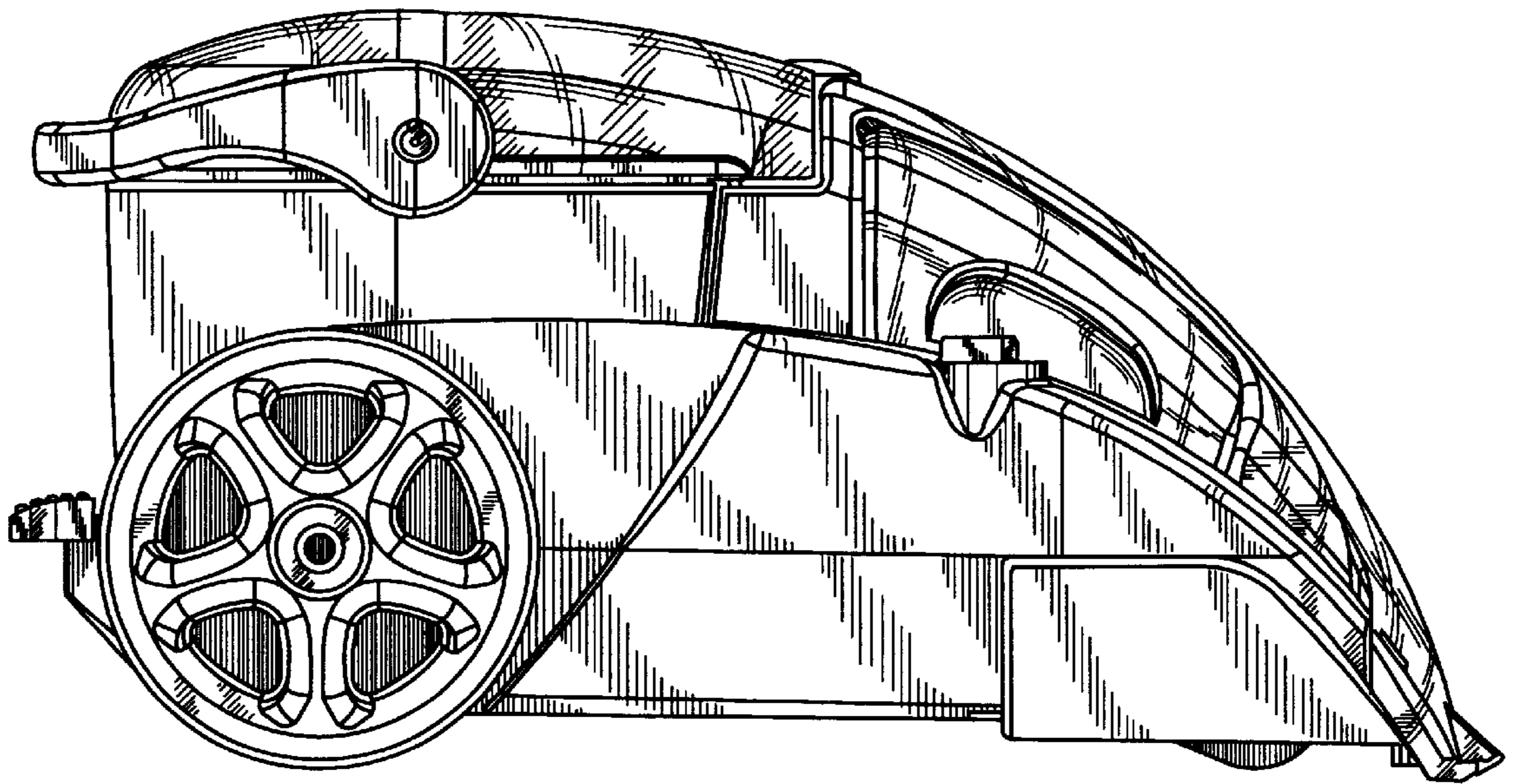
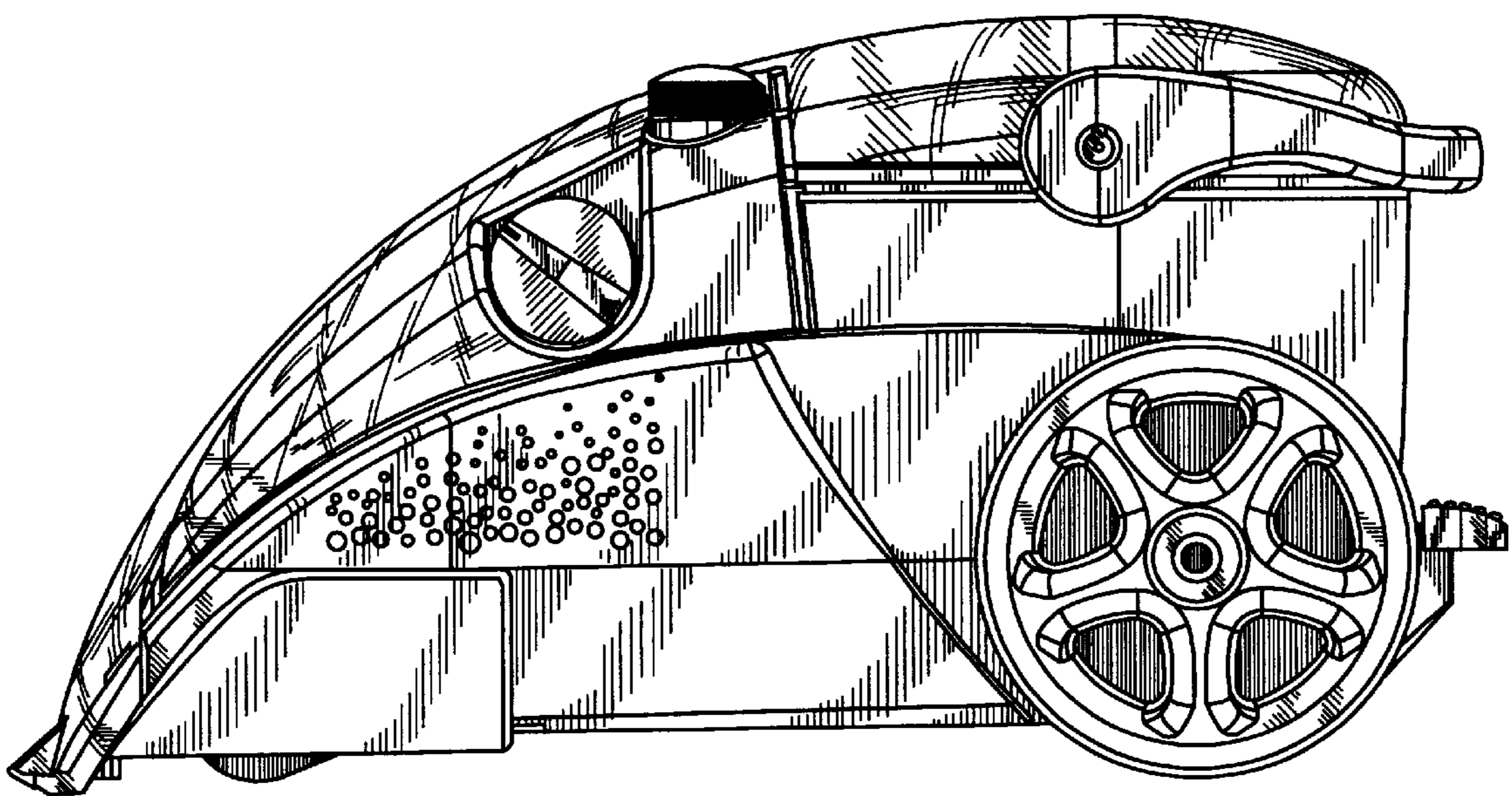


Fig. 1



**Fig. 2**



**Fig. 3**

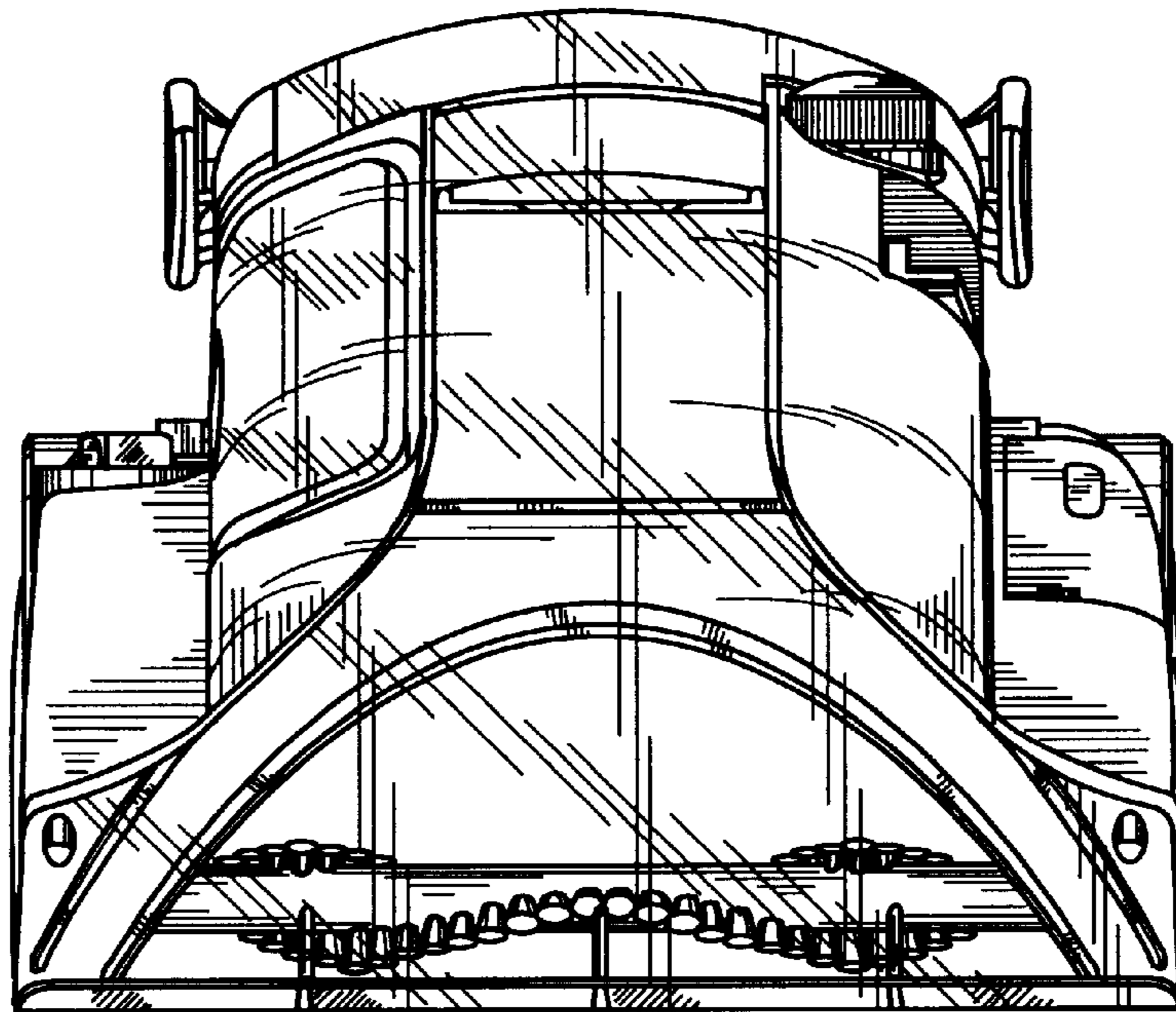


Fig. 4

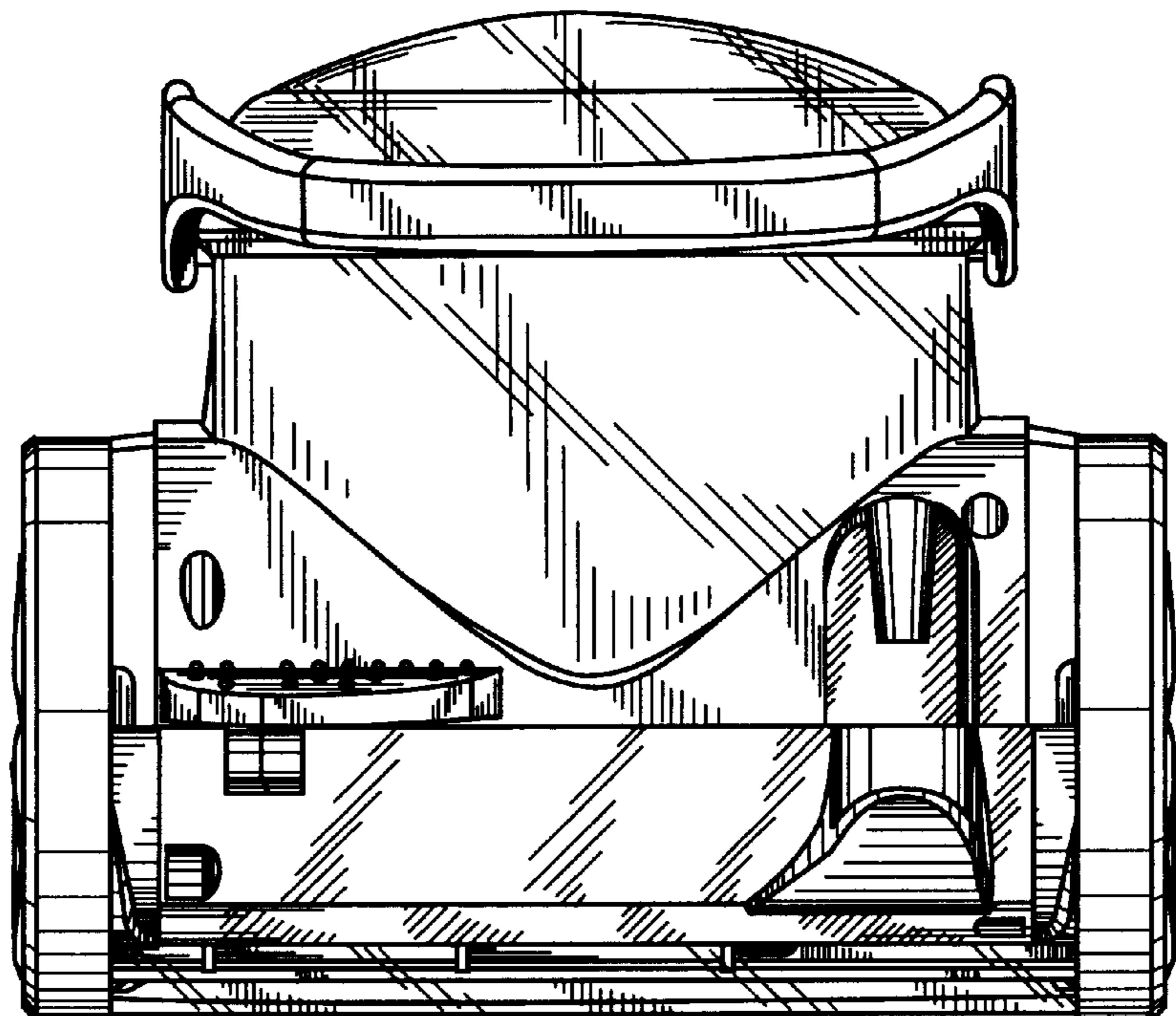
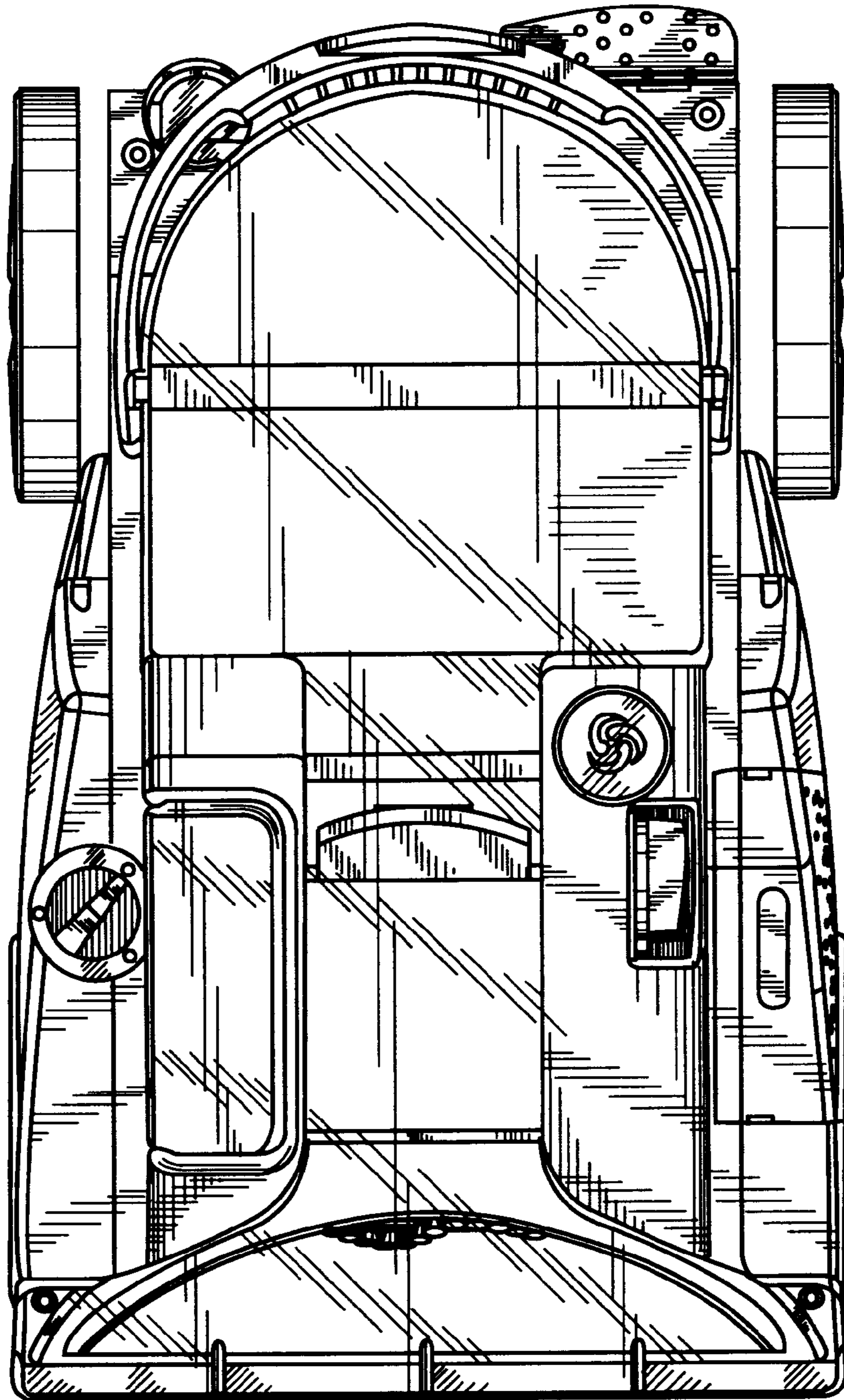


Fig. 5



**Fig. 6**