



US00D439383S

(12) **United States Design Patent**
Salo et al.

(10) **Patent No.:** **US D439,383 S**

(45) **Date of Patent:** **** Mar. 20, 2001**

(54) **NOZZLE BASE FOR A VACUUM CLEANER**

(75) Inventors: **Robert A. Salo; Charles J. Thur**, both of Mentor; **Jeffrey M. Kalman**, Cleveland Heights; **Craig M. Saunders**, Rocky River; **Cynthia M. Caffoe**, Cleveland Heights, all of OH (US)

(73) Assignee: **Royal Appliance Mfg. Co.**, Cleveland, OH (US)

(**) Term: **14 Years**

(21) Appl. No.: **29/116,901**

(22) Filed: **Jan. 12, 2000**

(51) **LOC (7) Cl.** **15-05**

(52) **U.S. Cl.** **D32/32**

(58) **Field of Search** D32/21, 22, 25, D32/31-34; 15/347, 350, 352, 353, 335, 337, 320-322, 361, 379, 400, 410, 415.1-422.1

(56) **References Cited**

U.S. PATENT DOCUMENTS

- D. 356,880 * 3/1995 Kieft D32/31
- D. 358,913 * 5/1995 Sugiyama et al. D32/22
- D. 418,953 * 1/2000 Farone et al. D32/31
- D. 425,272 * 5/2000 Wareham D32/31

- D. 427,399 * 6/2000 Thur et al. D32/33
- 5,911,261 * 6/1999 Farone et al. 15/416
- 6,006,402 * 12/1999 Maurer et al. 15/383

* cited by examiner

Primary Examiner—Ruth McInroy

(74) *Attorney, Agent, or Firm*—Fay, Sharpe, Fagan, Minnich & McKee, LLP

(57) **CLAIM**

The ornamental design for a nozzle base for a vacuum cleaner, as shown and described.

DESCRIPTION

FIG. 1 shows a perspective view of the nozzle base for a vacuum cleaner showing our new design; FIG. 2 is a left side elevational view thereof; FIG. 3 is a bottom plan view thereof; FIG. 4 is a top plan view thereof; FIG. 5 is a right side elevational view thereof; FIG. 6 is a front elevational view thereof; and, FIG. 7 is a rear elevational view thereof.

The vacuum cleaner illustrated in broken lines in FIG. 1 shows the environment in which the nozzle base for a vacuum cleaner according to the present invention is used and forms no part of the claimed design.

1 Claim, 4 Drawing Sheets

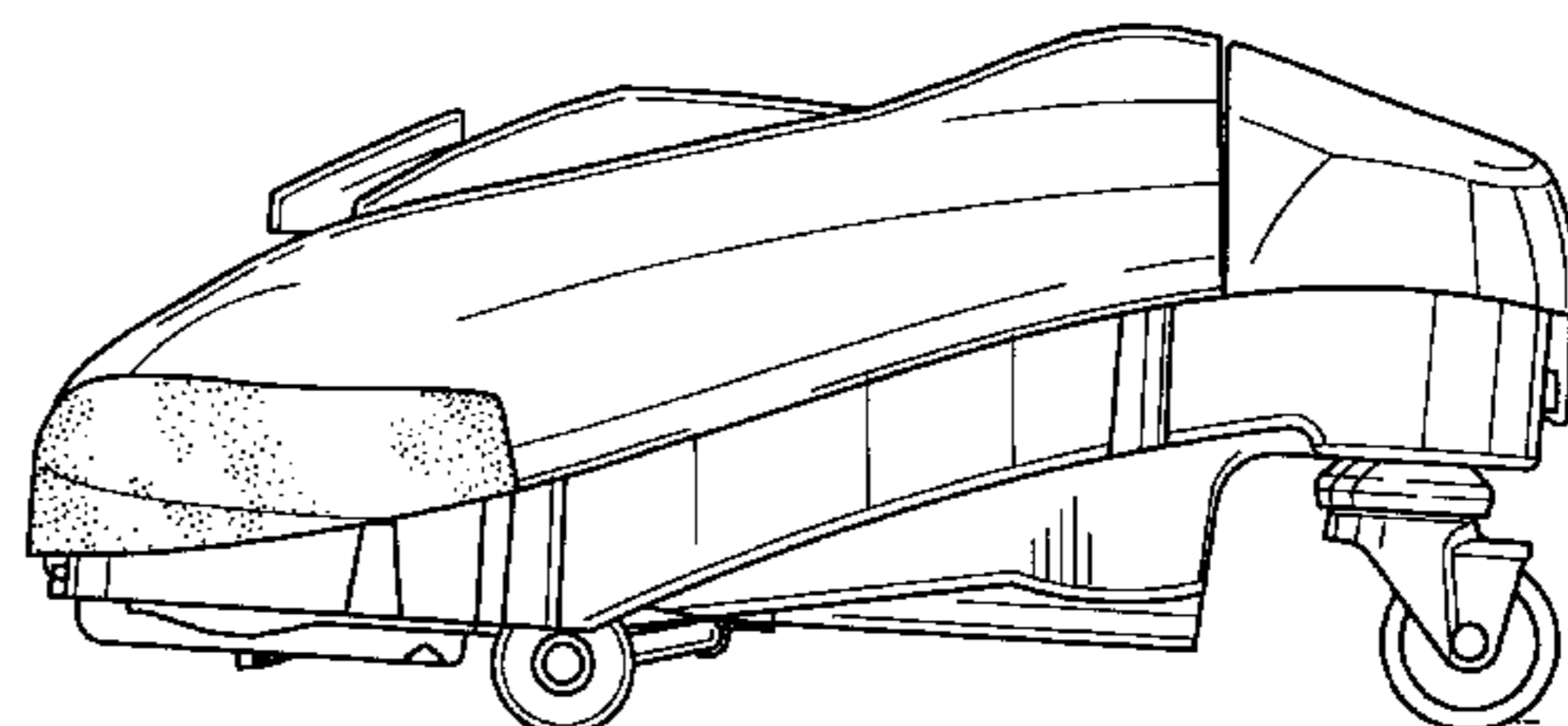
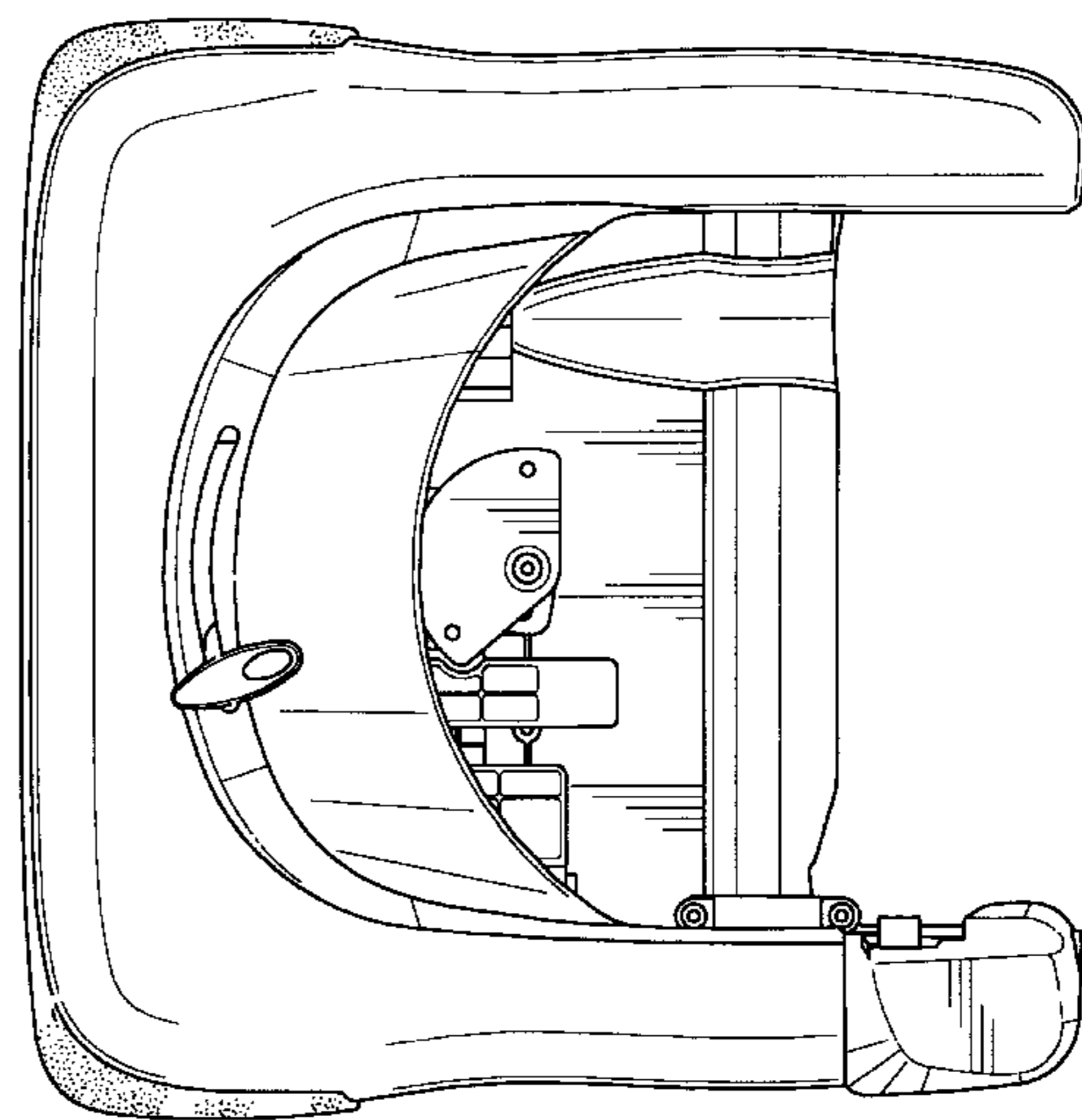
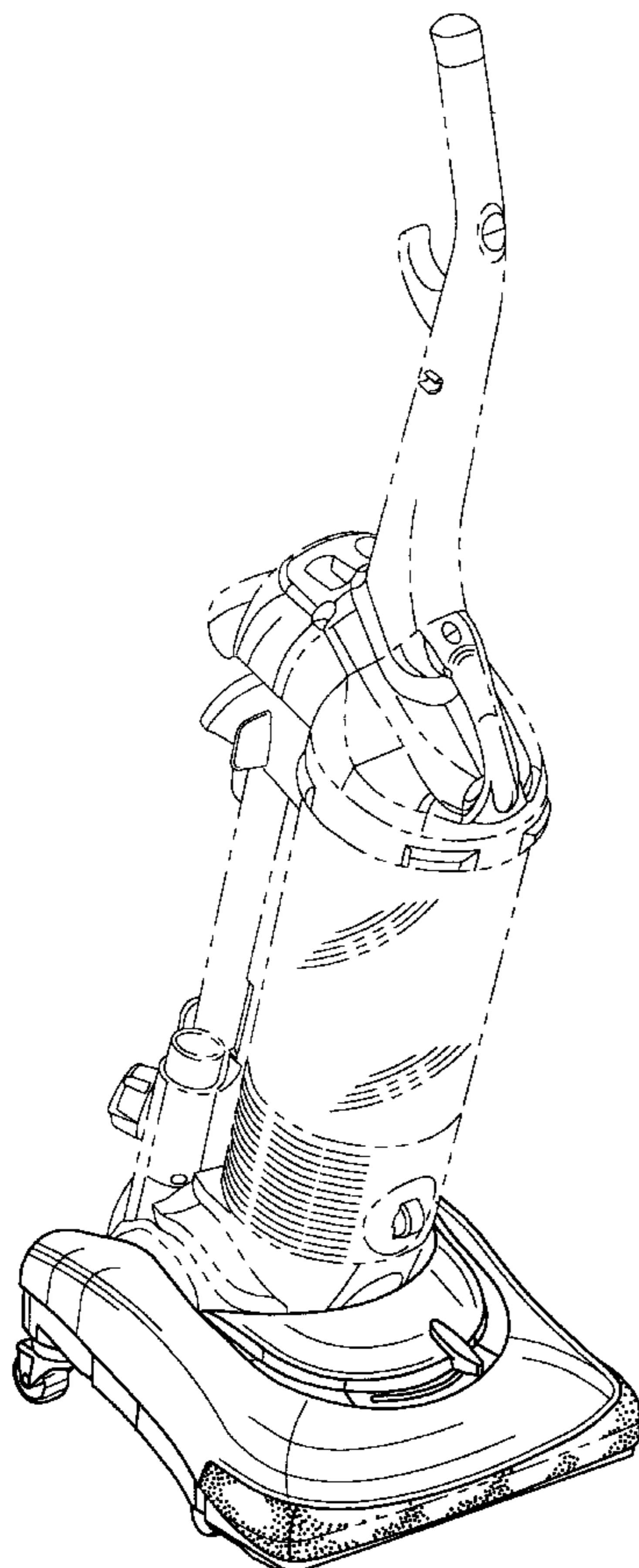
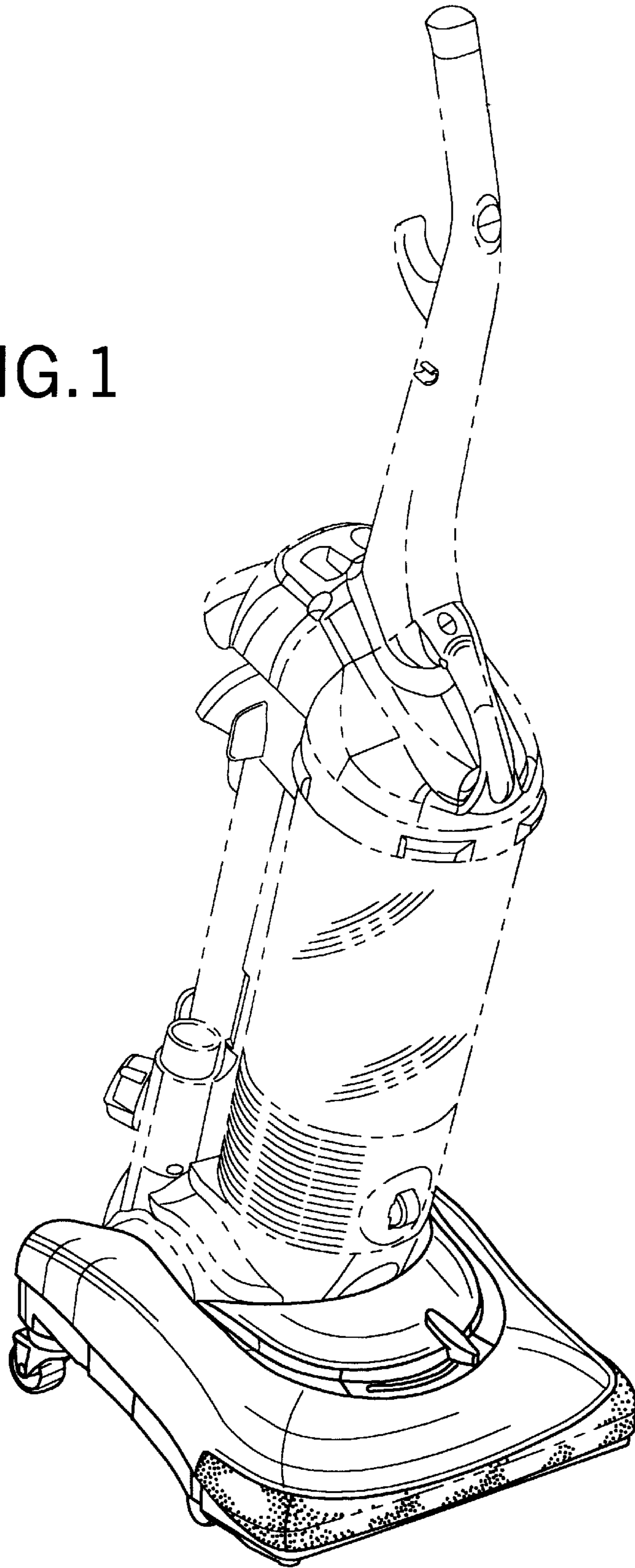


FIG. 1



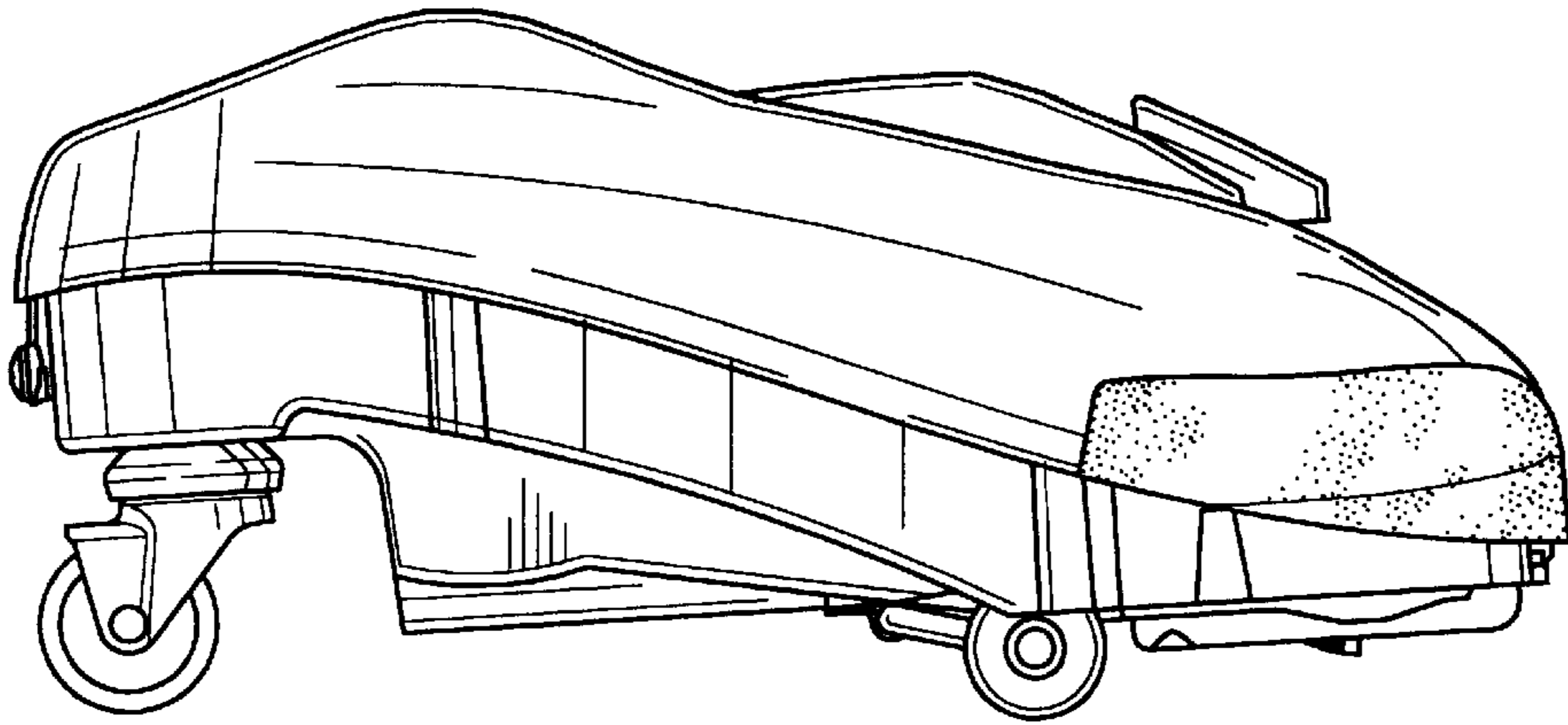


FIG. 2

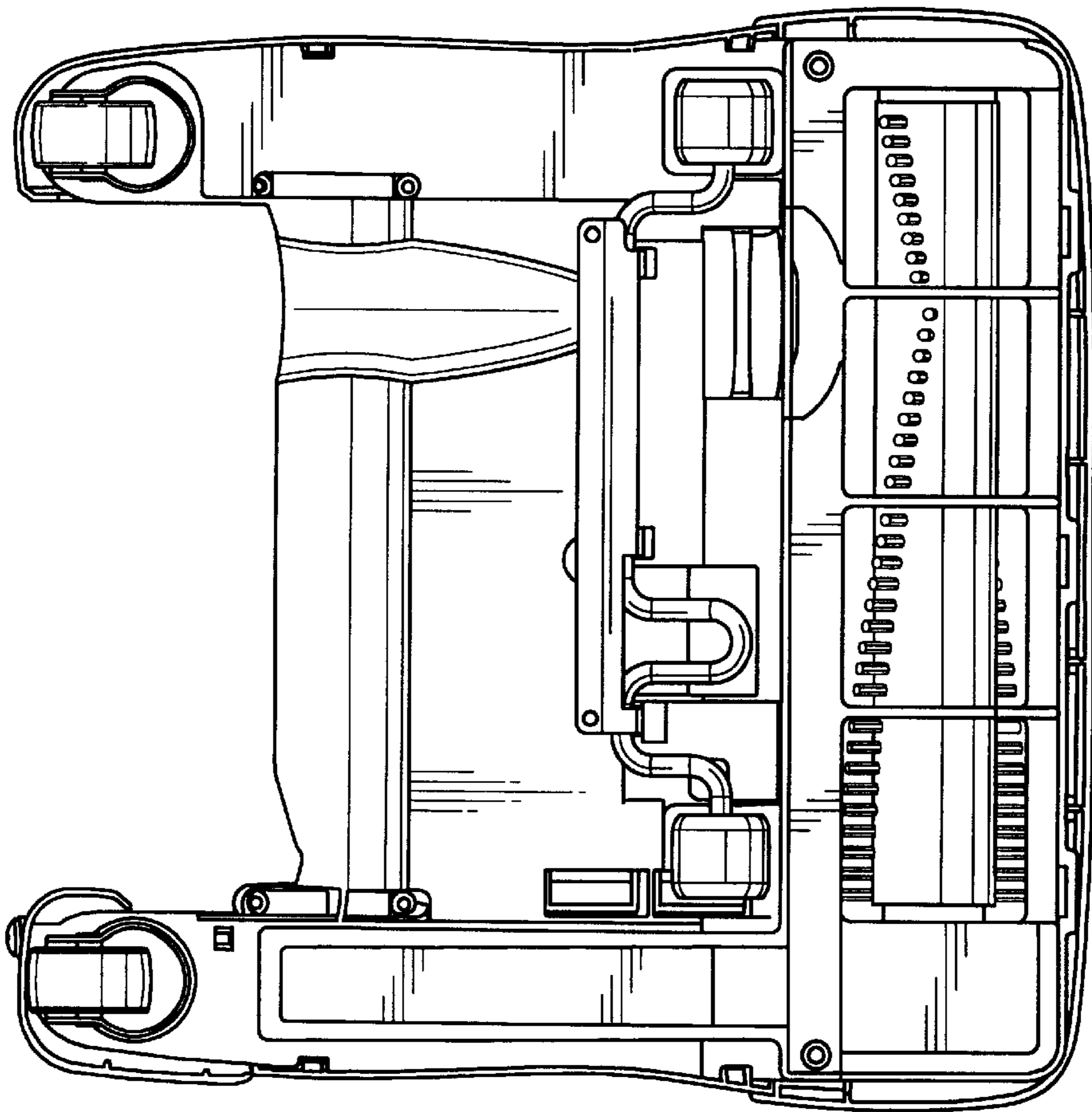


FIG. 3

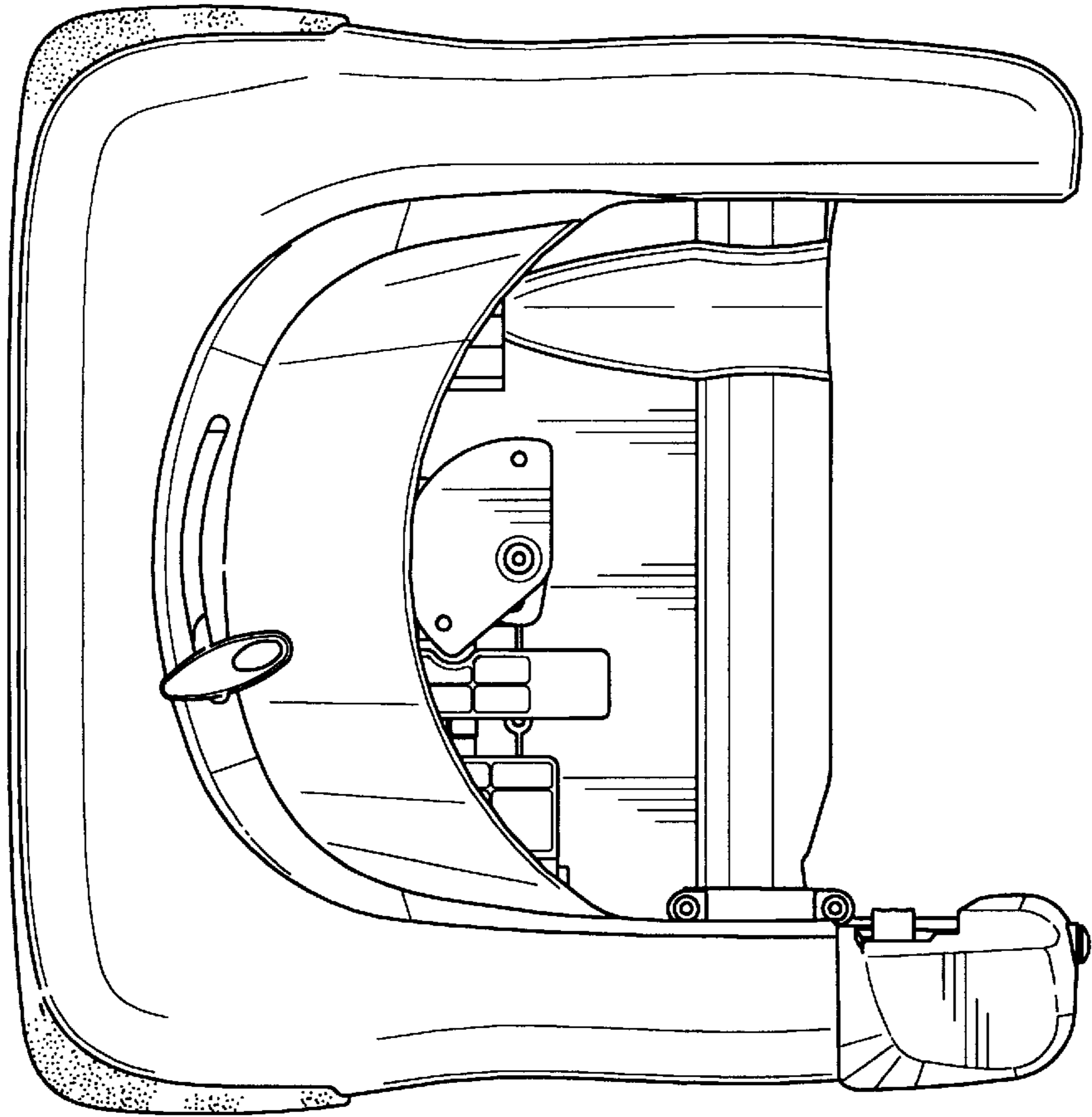


FIG. 4

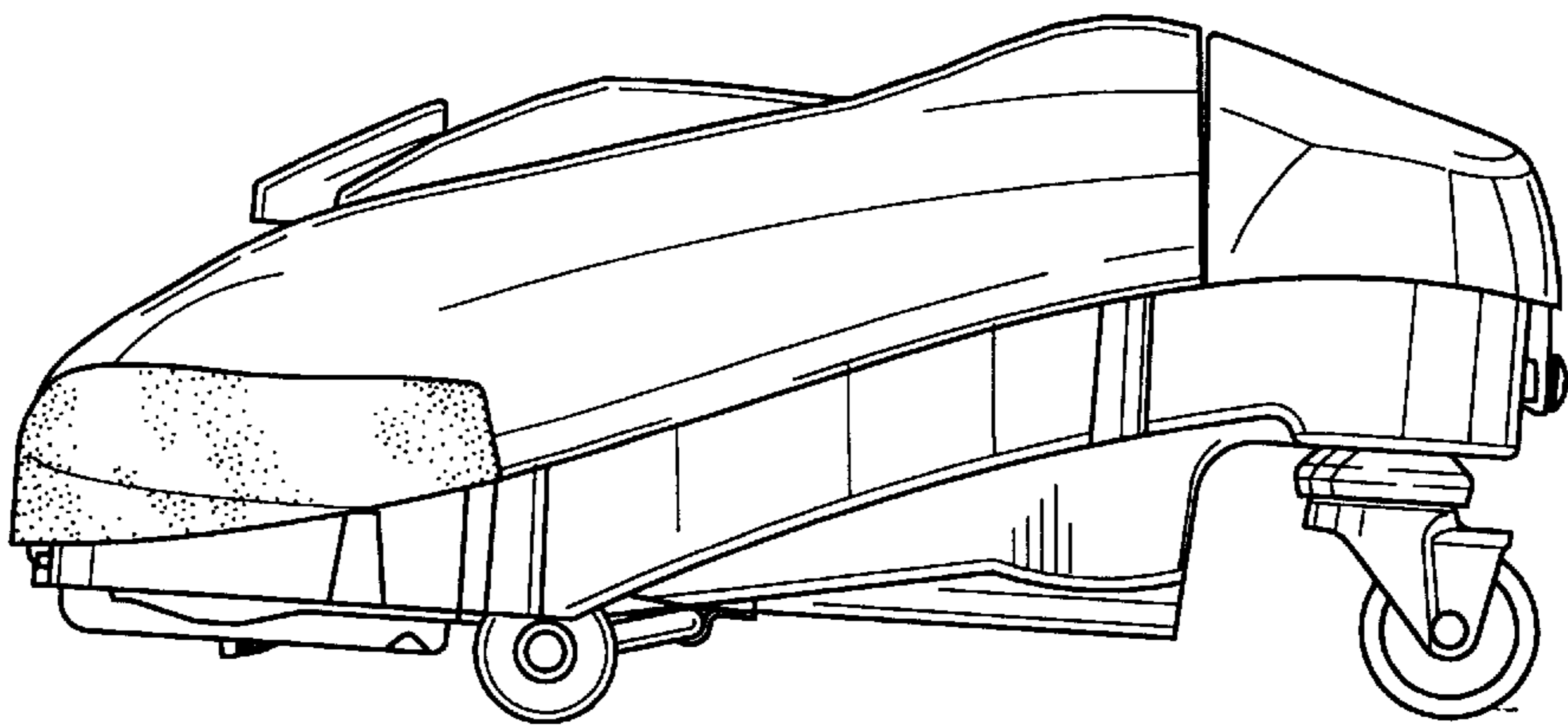


FIG. 5

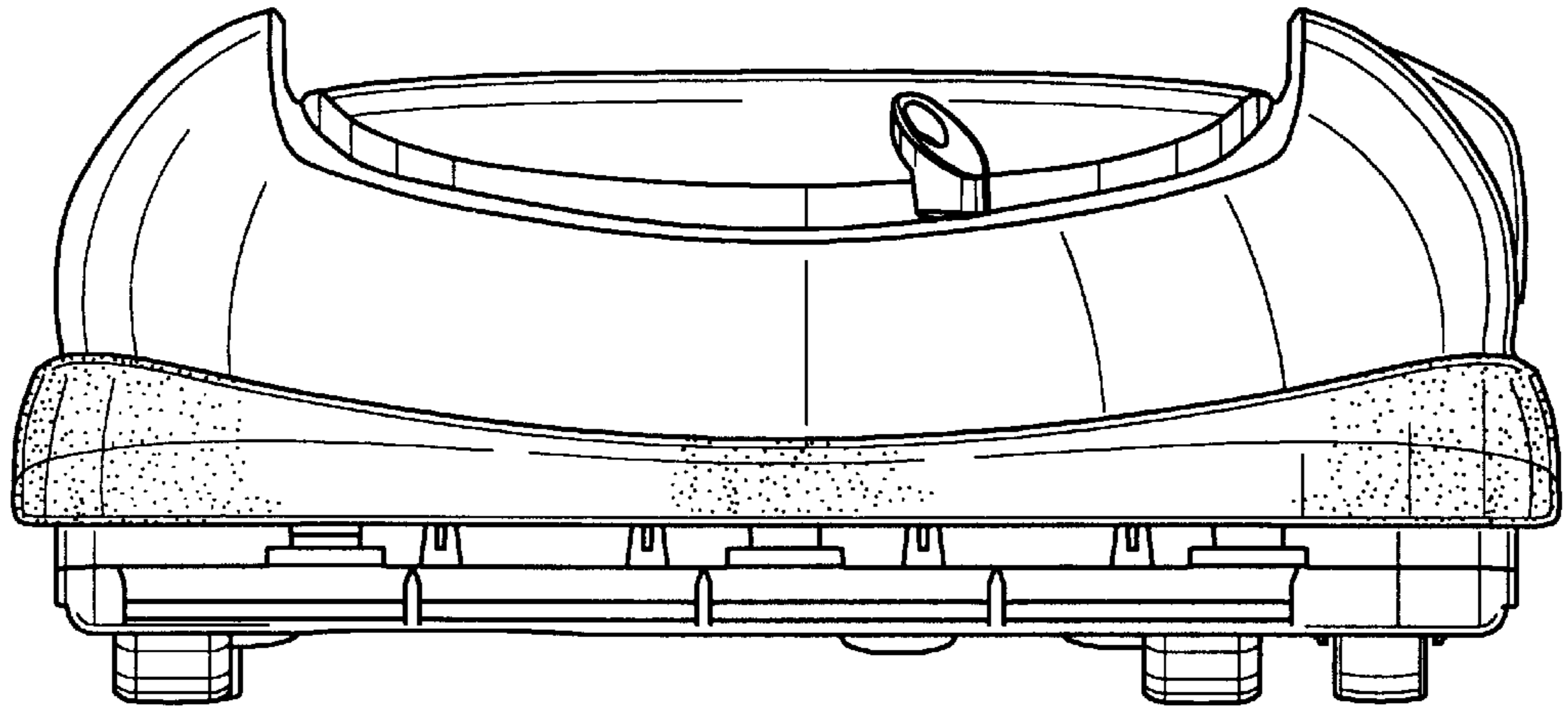


FIG. 6

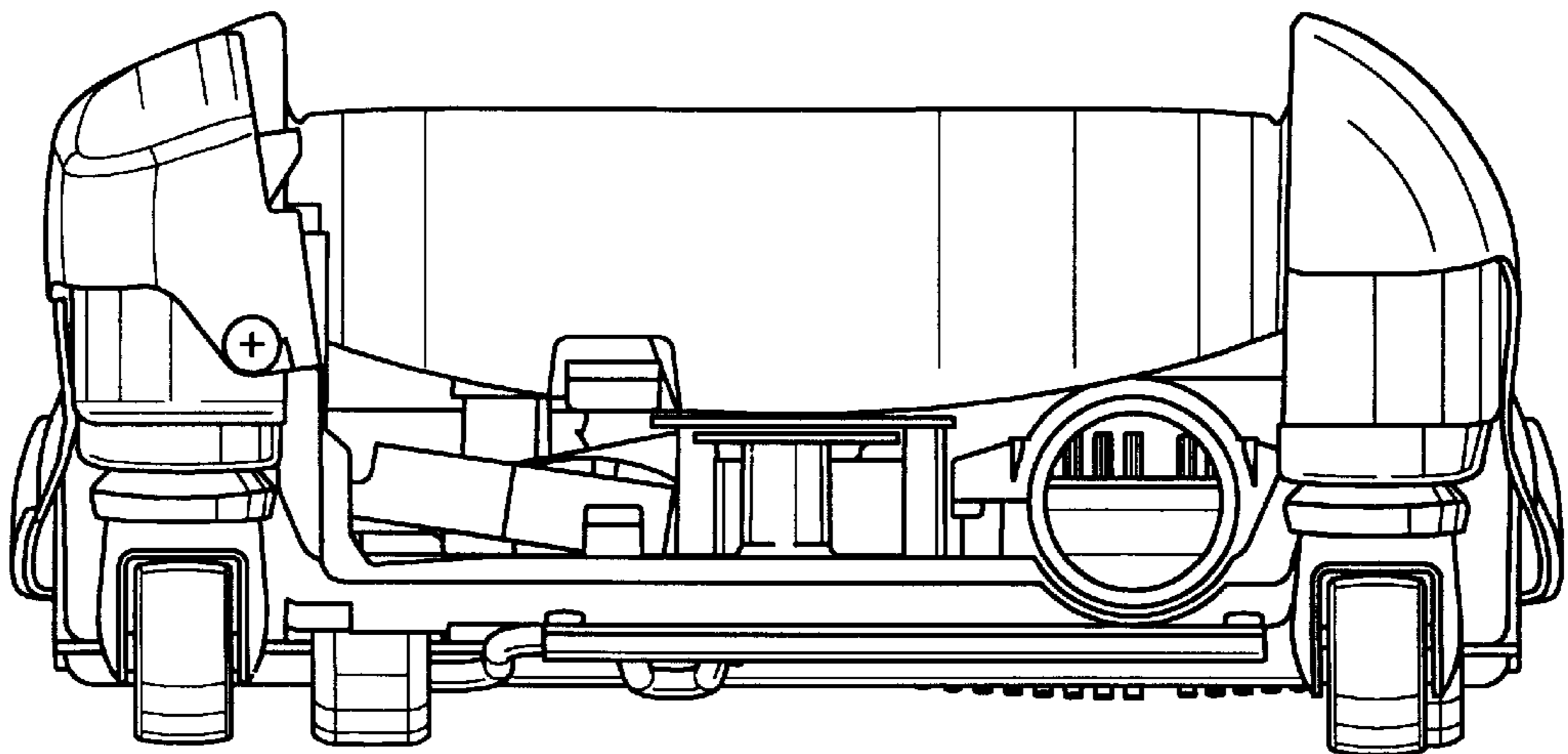


FIG. 7