



US00D439382S

(12) **United States Design Patent**
Saunders et al.

(10) **Patent No.: US D439,382 S**
(45) **Date of Patent: ** Mar. 20, 2001**

(54) **CARPET CLEANER EXTRACTOR BASE**

(75) Inventors: **Craig M. Saunders**, Rocky River;
Jeffrey M. Kalman, Cleveland Heights;
Terry L. Zahuranec, North Olmsted;
Robert A. Salo, Mentor; **Richard C. Farone**, Willoughby; **Laurie M. Shumaker**, Talmadge, all of OH (US)

(73) Assignee: **Royal Appliance Mfg. Co.**, Cleveland, OH (US)

(**) Term: **14 Years**

(21) Appl. No.: **29/098,945**

(22) Filed: **Jan. 8, 1999**

(51) **LOC (7) Cl.** **15-05**

(52) **U.S. Cl.** **D32/32; D32/31**

(58) **Field of Search** D32/21, 22, 25,
D32/31-33; 15/415.1-422.1, 321-322,
412, 414, 400, 350, 354, 362, 364, 367,
373

(56) **References Cited**

U.S. PATENT DOCUMENTS

D. 346,679	*	5/1994	Bradd et al.	D32/22
D. 358,241		5/1995	Bradd		
D. 381,478	*	7/1997	Amos	D32/21
D. 385,072		10/1997	Bradd		
D. 387,522		12/1997	Medema		
D. 393,112		3/1998	Essex et al.		

D. 396,905		8/1998	Bradd		
D. 406,928		3/1999	Rowley et al.		
5,615,448	*	4/1997	Crouser et al.	15/321
5,784,755		7/1998	Karr et al.		
5,860,188	*	1/1999	Maurer et al.	15/320
5,933,912	*	8/1999	Karr et al.	15/320
5,937,475	*	8/1999	Kasen et al.	15/320
5,983,442	*	11/1999	Louis et al.	15/320

* cited by examiner

Primary Examiner—Ruth McInroy

(74) *Attorney, Agent, or Firm*—Fay, Sharpe, Fagan, Minnich & McKee, LLP

(57) **CLAIM**

The ornamental design for a carpet cleaner extractor base, as shown and described.

DESCRIPTION

FIG. 1 is a perspective view of a carpet cleaner extractor base showing our new design;
FIG. 2 is a right side elevational view thereof;
FIG. 3 is a bottom plan view thereof;
FIG. 4 is a top plan view thereof;
FIG. 5 is a left side elevational view thereof;
FIG. 6 is a front elevational view thereof; and,
FIG. 7 is a rear elevational view thereof.

The parts shown in broken lines in FIG. 1 are shown for illustrative purposes only and form no part of the claimed design.

1 Claim, 4 Drawing Sheets

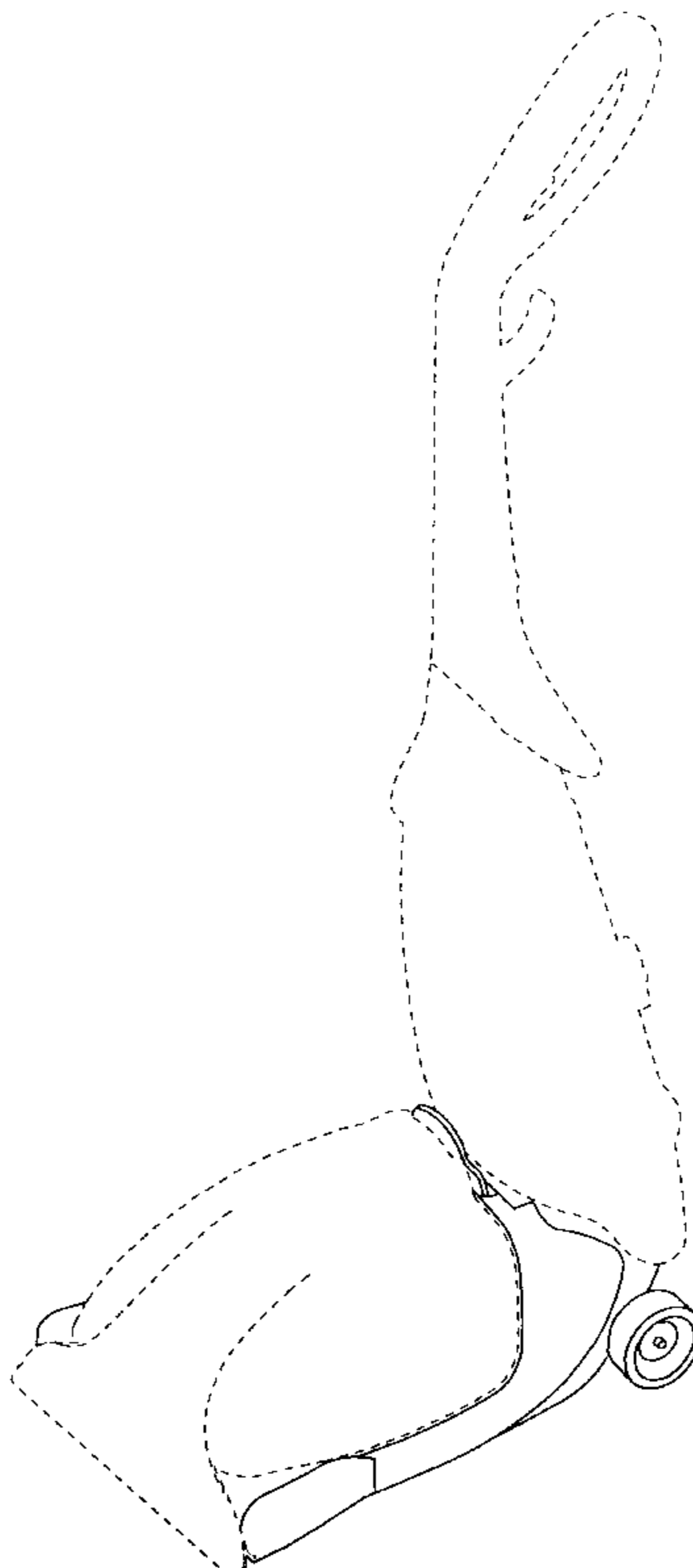
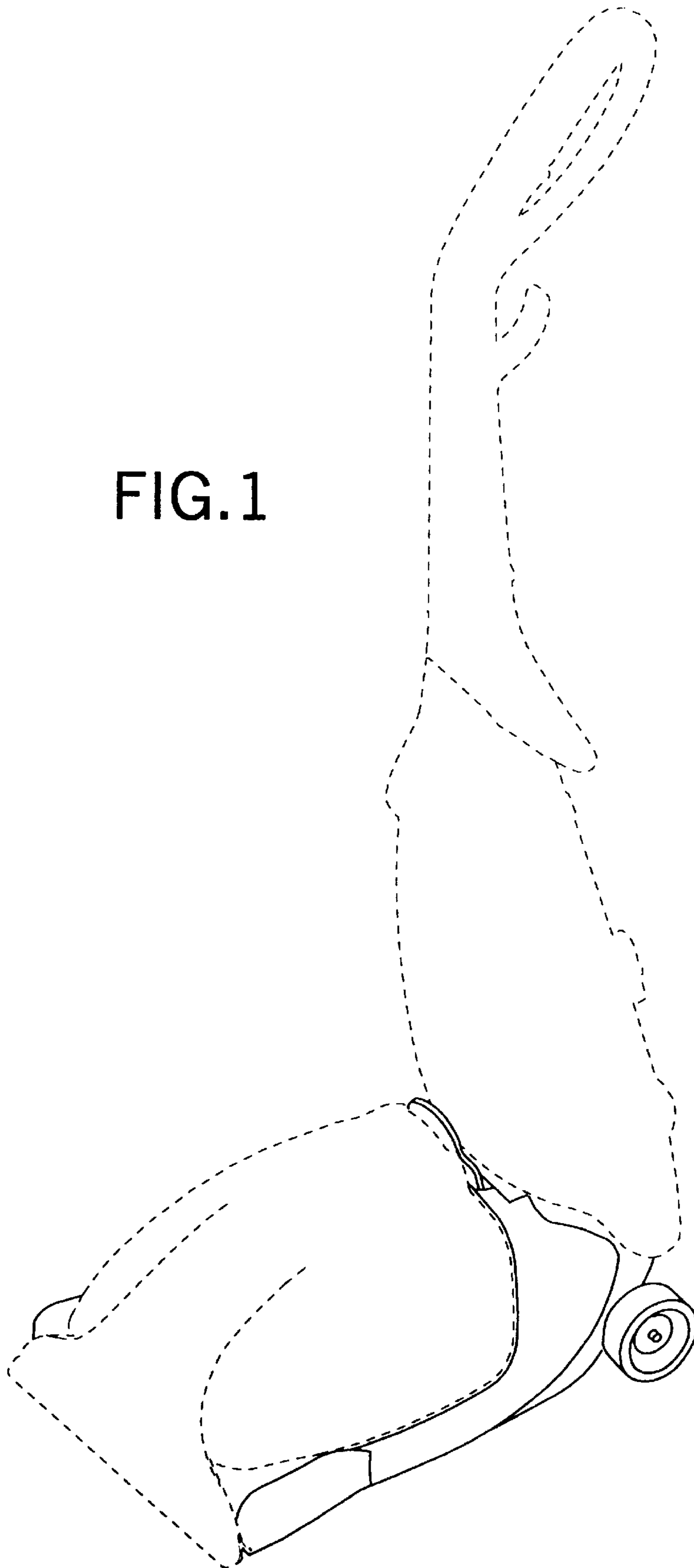


FIG.1



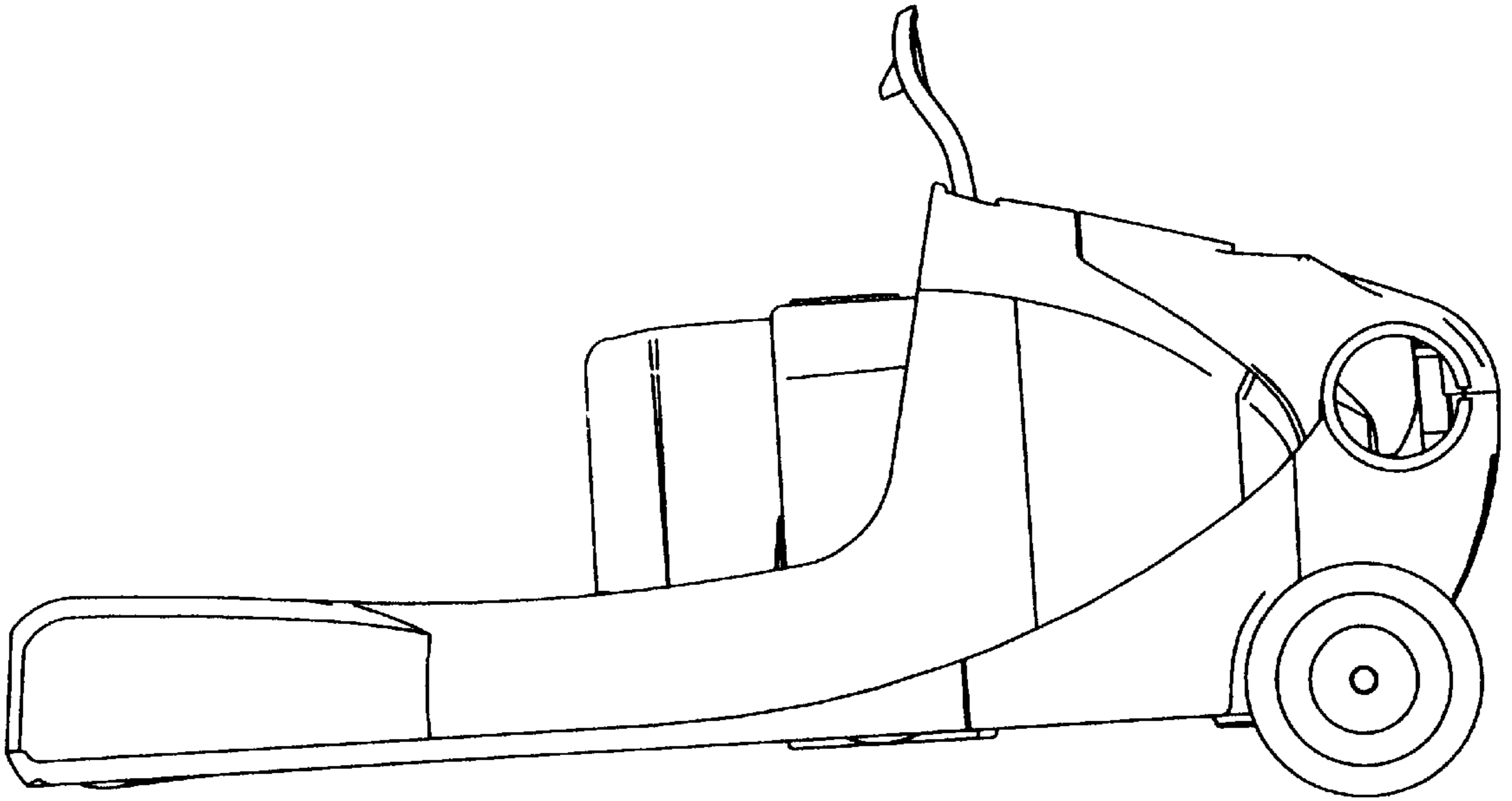


FIG. 2

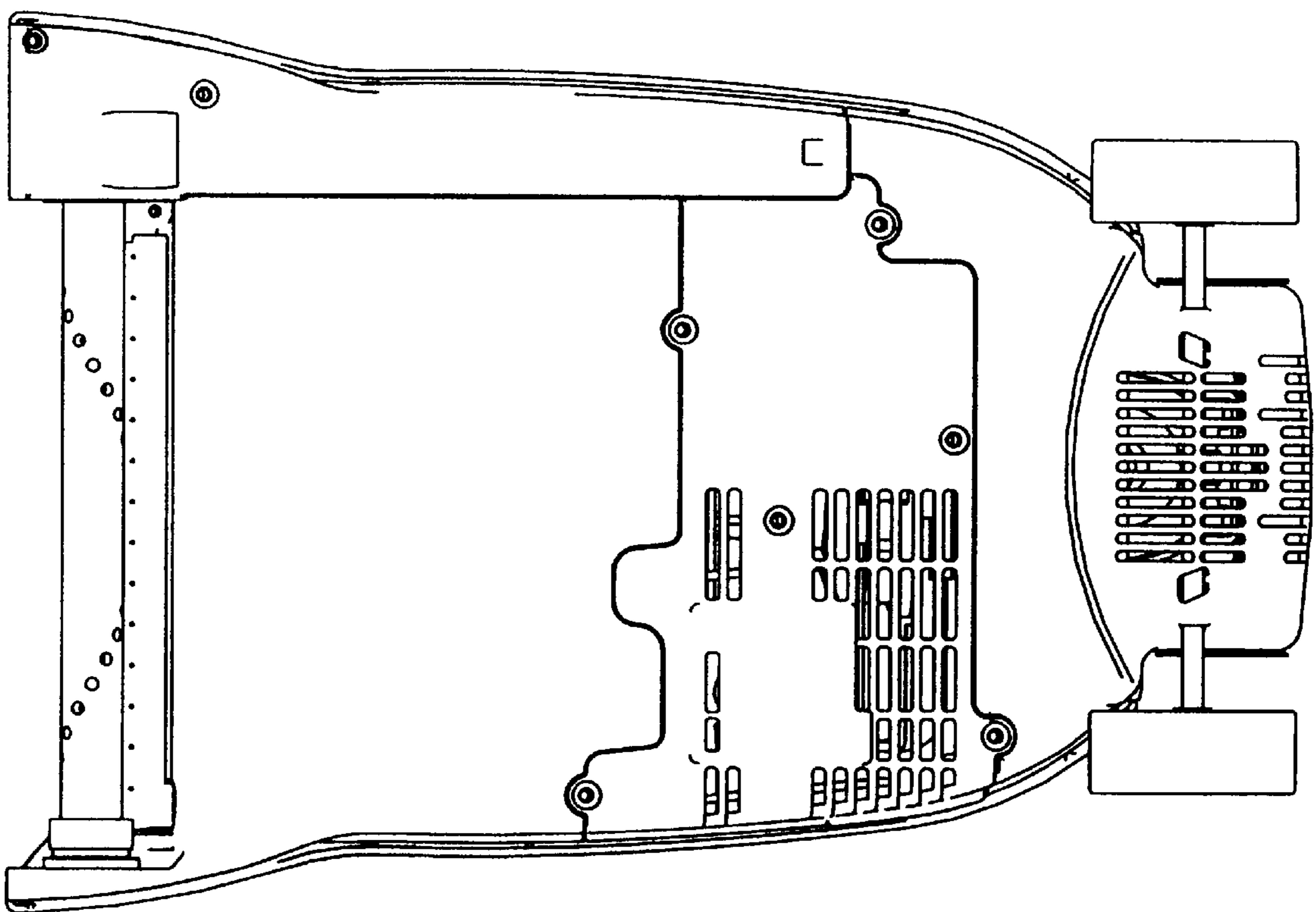


FIG. 3

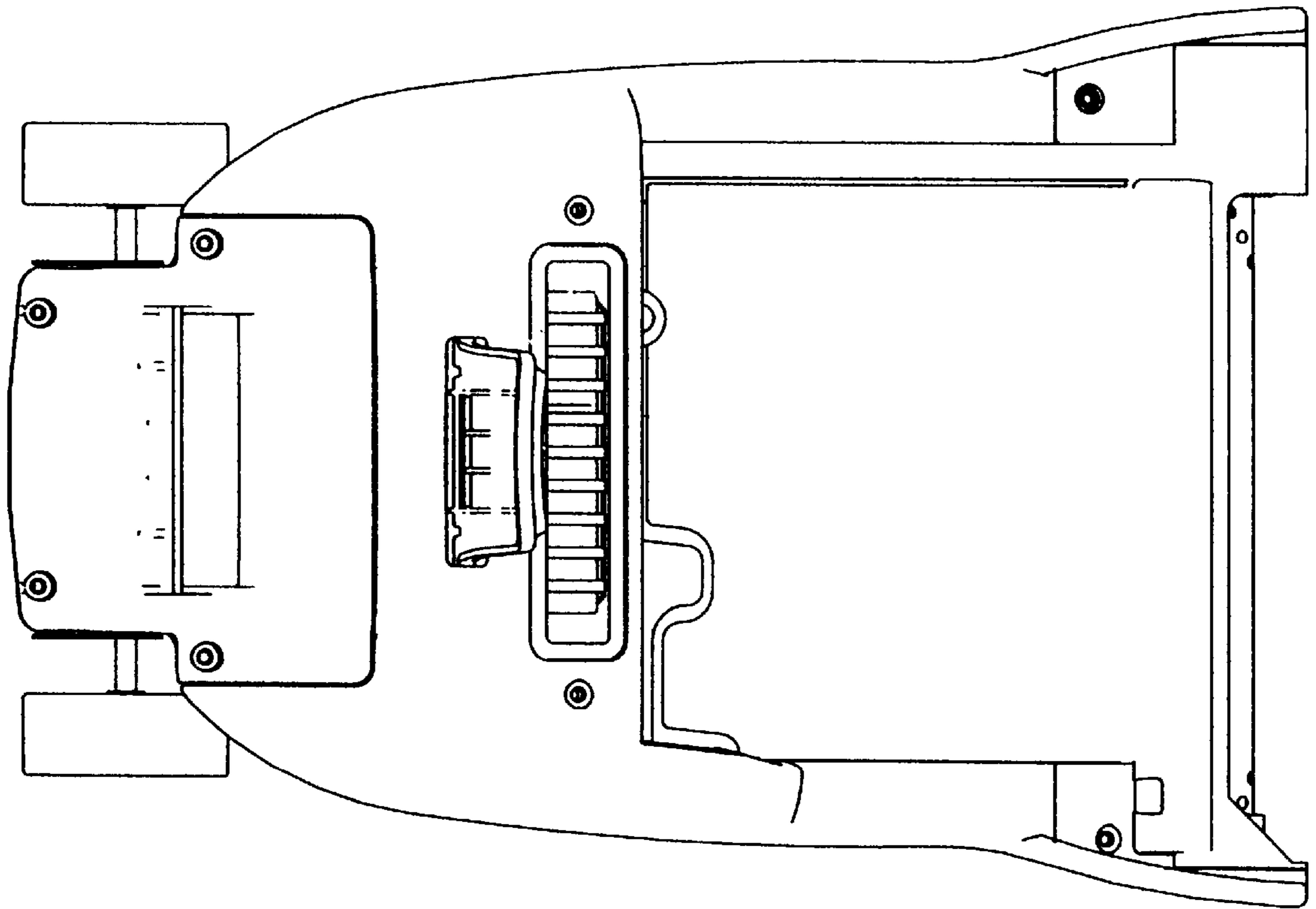


FIG. 4

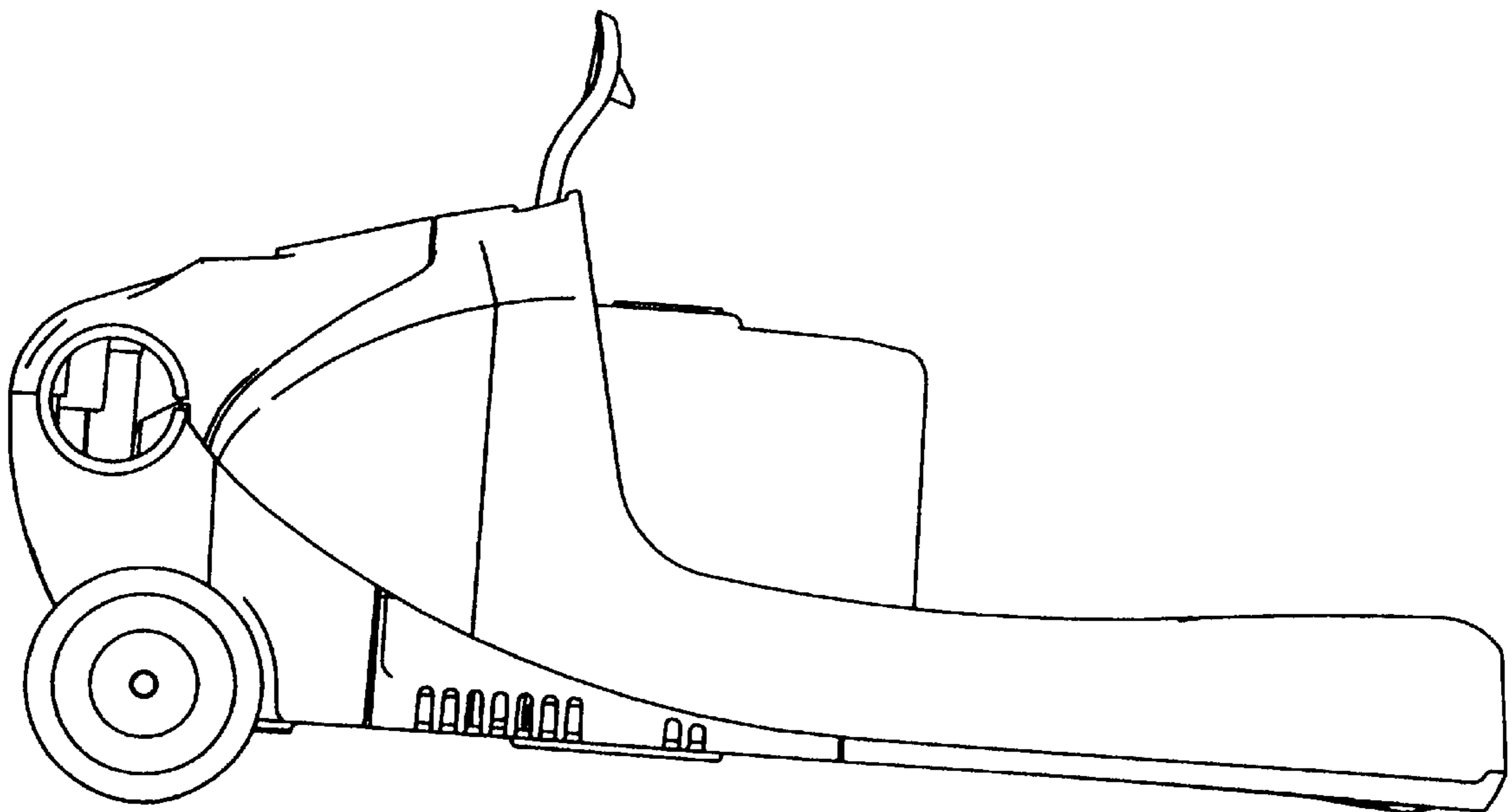


FIG. 5

