



US00D439381S

(12) **United States Design Patent**
Saunders et al.

(10) **Patent No.:** **US D439,381 S**

(45) **Date of Patent:** **** Mar. 20, 2001**

(54) **CLEANING FLUID TANK FOR CARPET EXTRACTOR**

(75) Inventors: **Craig M. Saunders**, Rocky River;
Jeffrey M. Kalman, Cleveland Heights;
Terry L. Zahuranec, North Olmsted;
Robert A. Salo, Mentor; **Richard C. Farone**, Willoughby; **Laurie M. Shumaker**, Talmadge, all of OH (US)

(73) Assignee: **Royal Appliance Mfg. Co.**, Cleveland, OH (US)

(**) Term: **14 Years**

(21) Appl. No.: **29/098,924**

(22) Filed: **Jan. 8, 1999**

(51) **LOC (7) Cl.** **15-05**

(52) **U.S. Cl.** **D32/31**

(58) **Field of Search** D32/17-18, 21-22,
D32/25, 30-34; 15/320-321, 323-334,
344, 347, 349, 350-353, 410, 412, 387

(56) **References Cited**

U.S. PATENT DOCUMENTS

D. 190,626	*	6/1961	Musichuk	D32/31
D. 211,109	*	5/1968	Gantz	D32/31
D. 211,893	*	8/1968	Gantz	D32/31
D. 214,811	*	7/1969	Gaudry	D32/31
D. 365,179		12/1995	Bradd	.	

D. 399,619	*	10/1998	Nakano et al.	D32/22
D. 406,928		3/1999	Rowley et al.	.	
D. 418,265	*	12/1999	Farone et al.	D32/22
5,283,939	*	2/1994	Saunders et al.	29/453
5,347,679	*	9/1994	Saunders et al.	15/416
5,615,448		4/1997	Crouser et al.	.	
5,715,566	*	2/1998	Weaver et al.	15/320
5,784,755		7/1998	Karr et al.	.	

* cited by examiner

Primary Examiner—Ruth McInroy

(74) *Attorney, Agent, or Firm*—Fay, Sharpe, Fagan, Minnich & McKee, LLP

(57) **CLAIM**

The ornamental design for a cleaning fluid tank for carpet extractor, as shown and described.

DESCRIPTION

FIG. 1 is a perspective view of a cleaning fluid tank for carpet extractor showing our new design; FIG. 2 is a front elevational view thereof; FIG. 3 is a right side elevational view thereof; FIG. 4 is a top plan view thereof; FIG. 5 is a rear elevational view thereof; FIG. 6 is a left side elevational view thereof; and, FIG. 7 is a bottom plan view thereof.

The parts shown in broken lines in FIG. 1 are shown for illustrative purposes only and form no part of the claimed design.

1 Claim, 3 Drawing Sheets

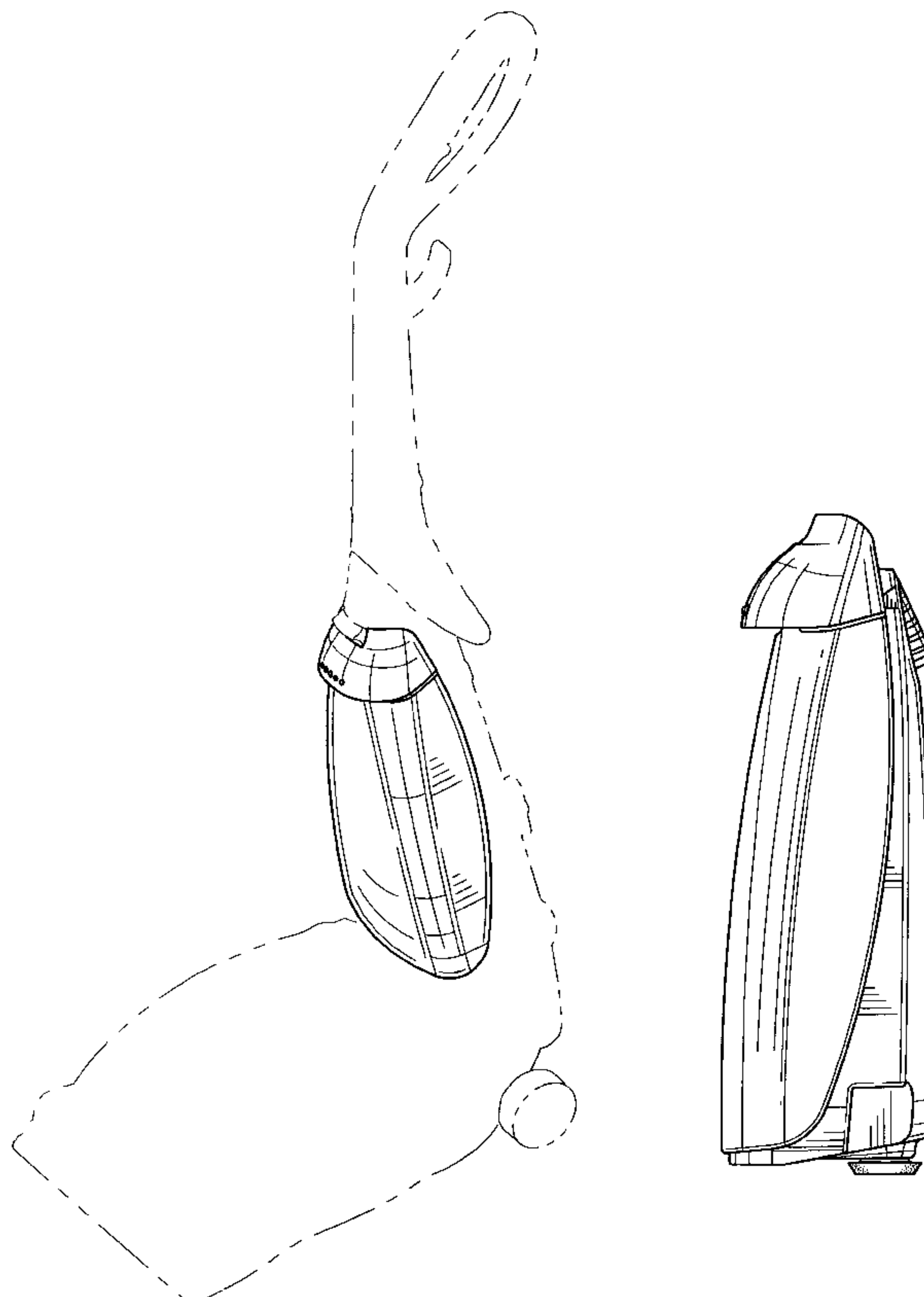
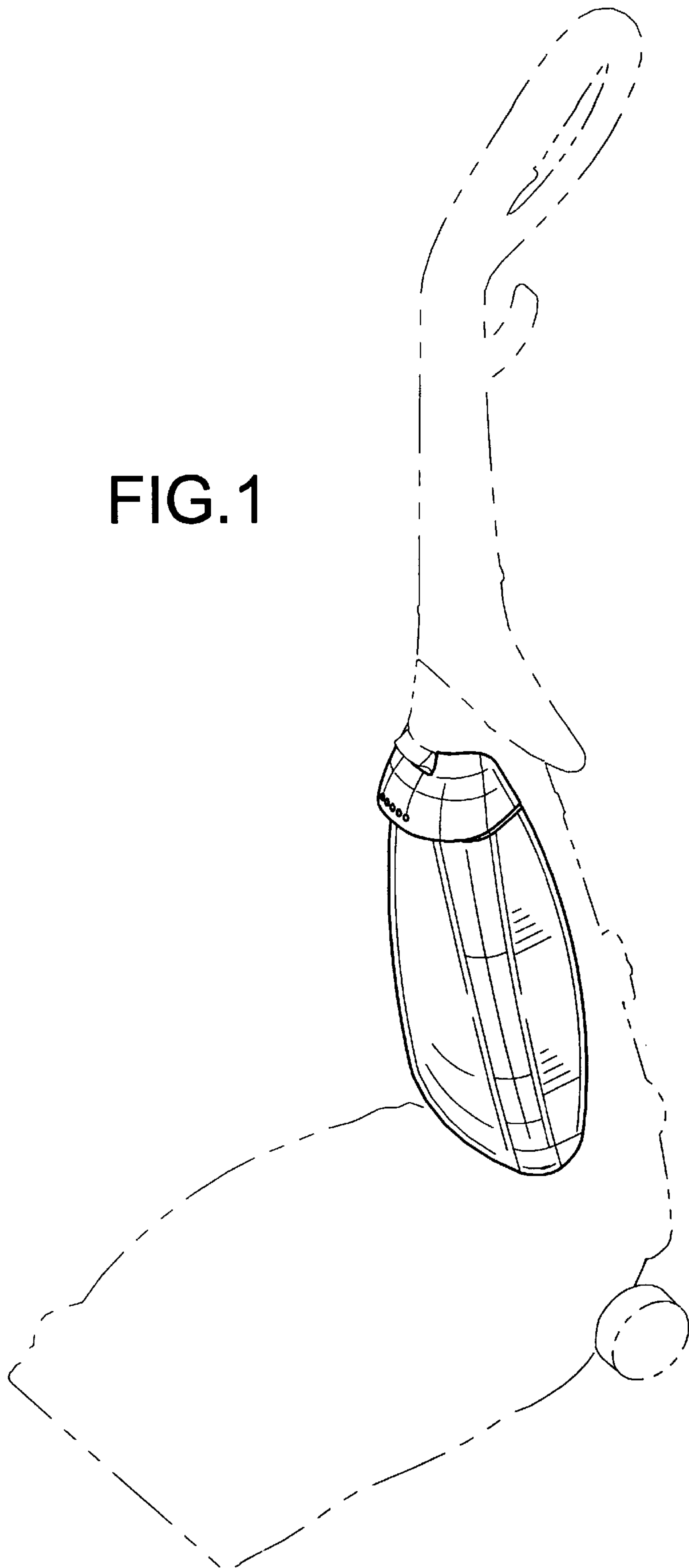


FIG.1



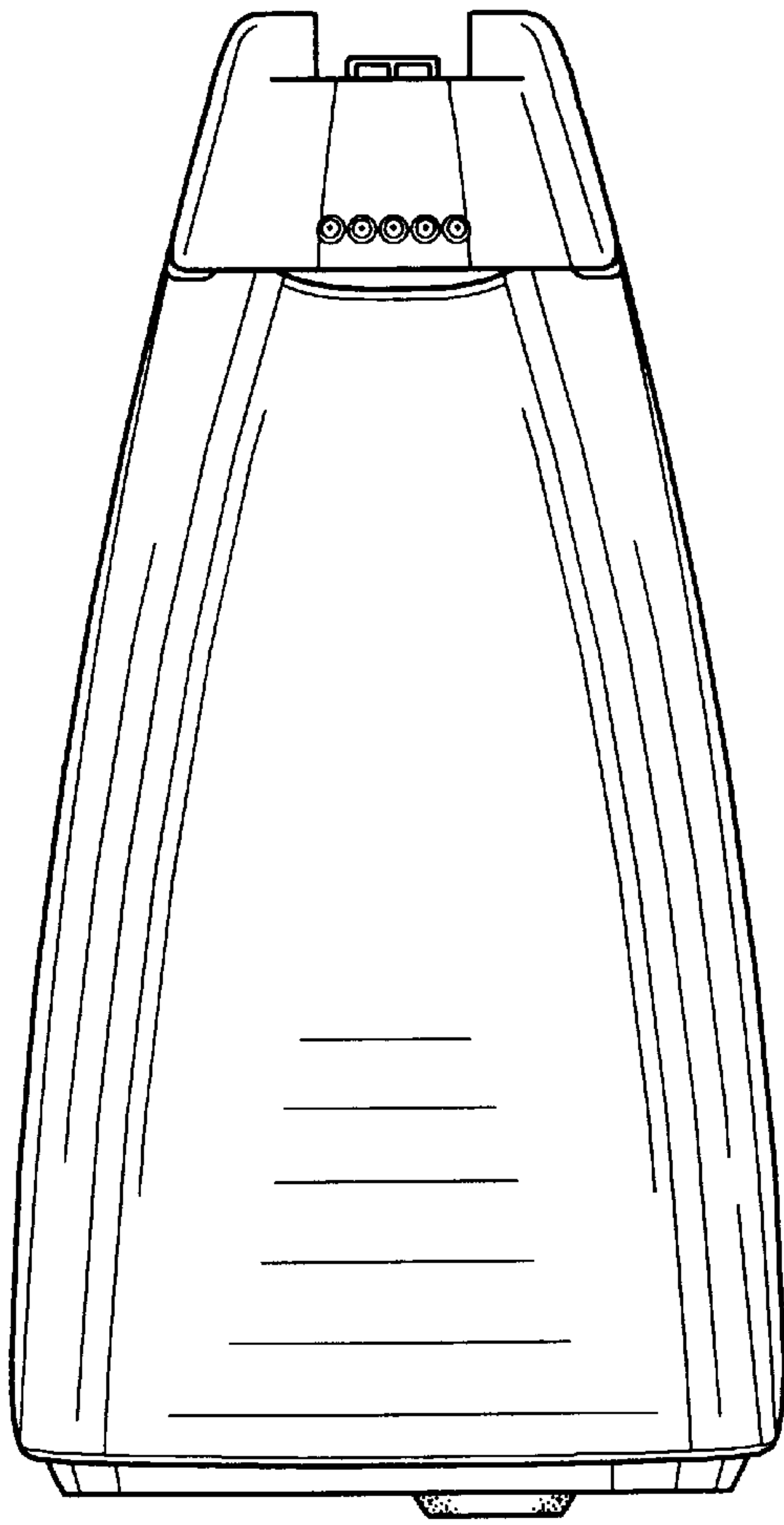


FIG. 2

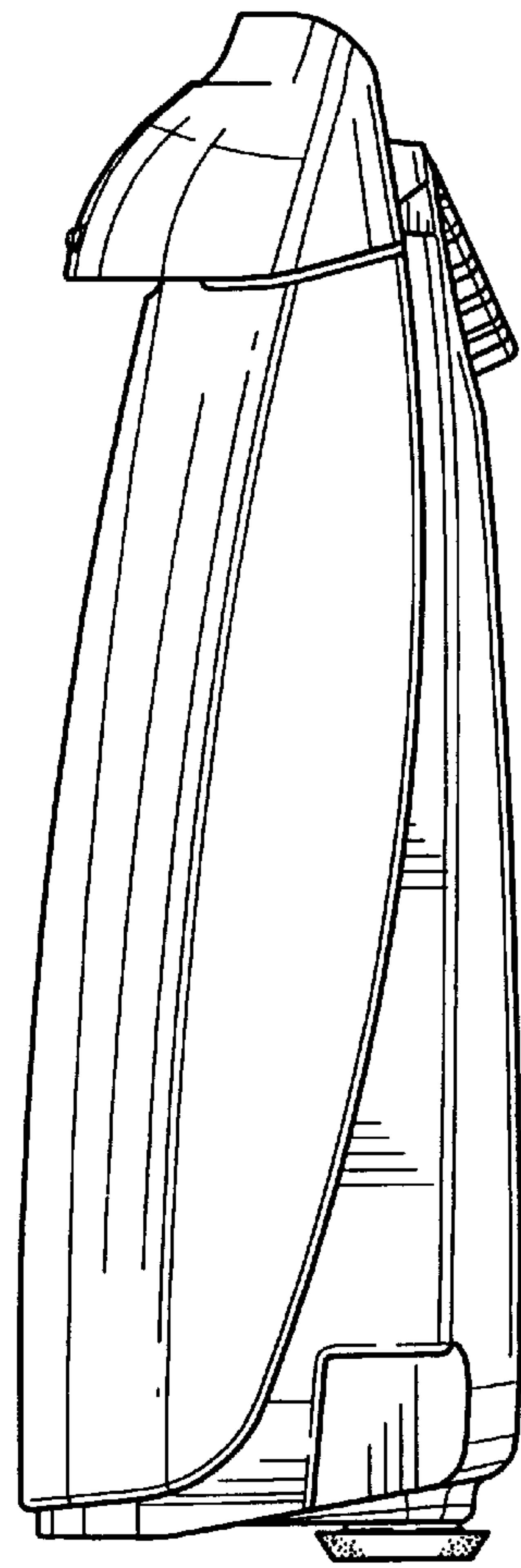


FIG. 3

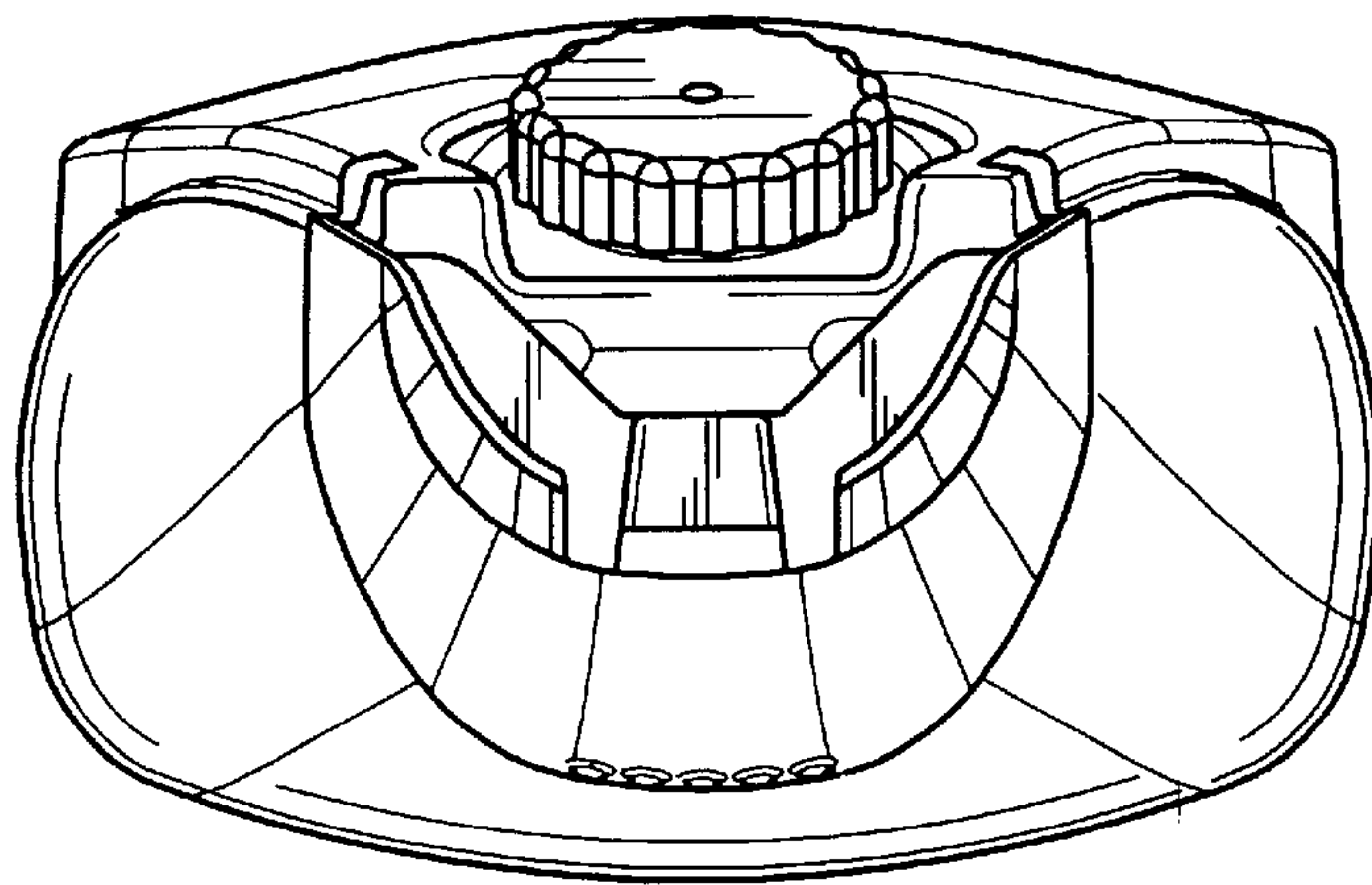


FIG. 4

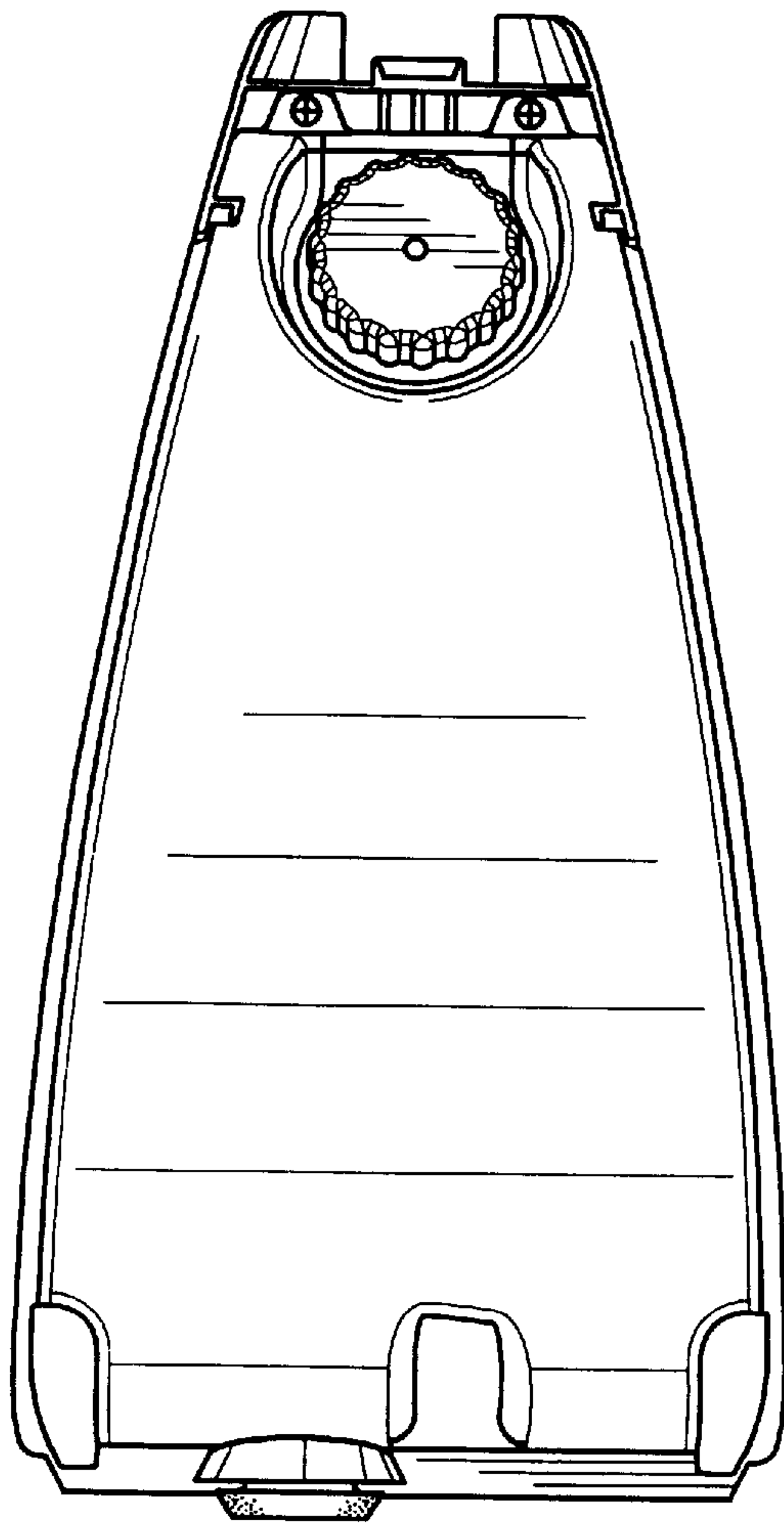


FIG. 5

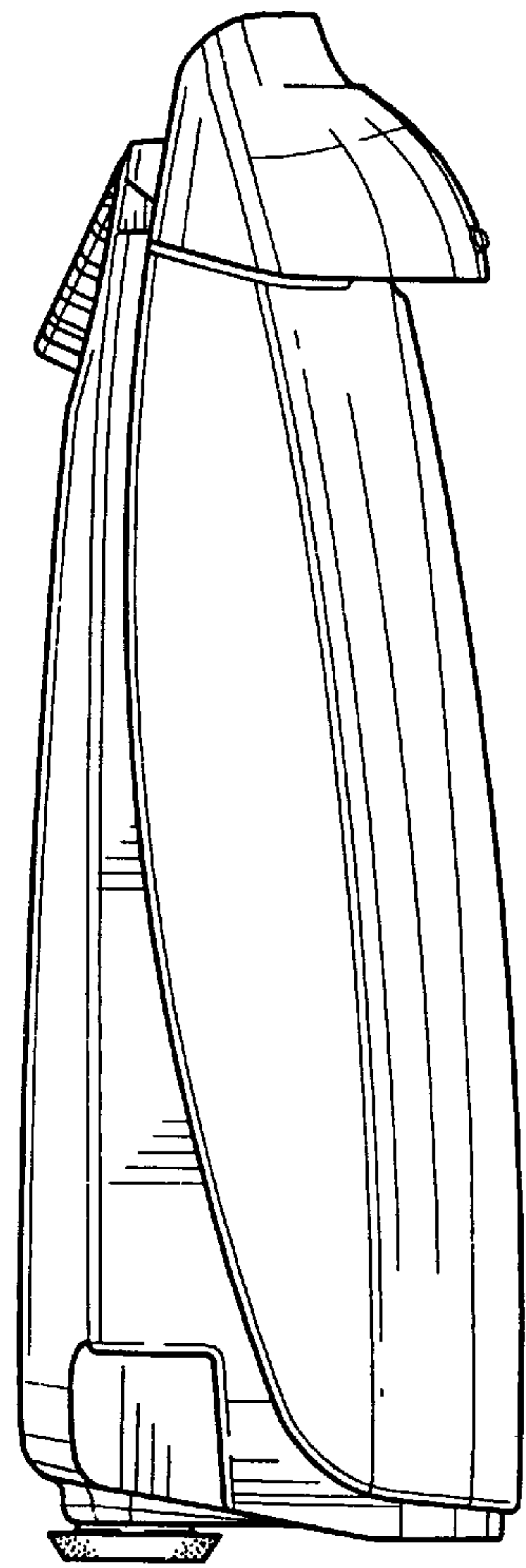


FIG. 6

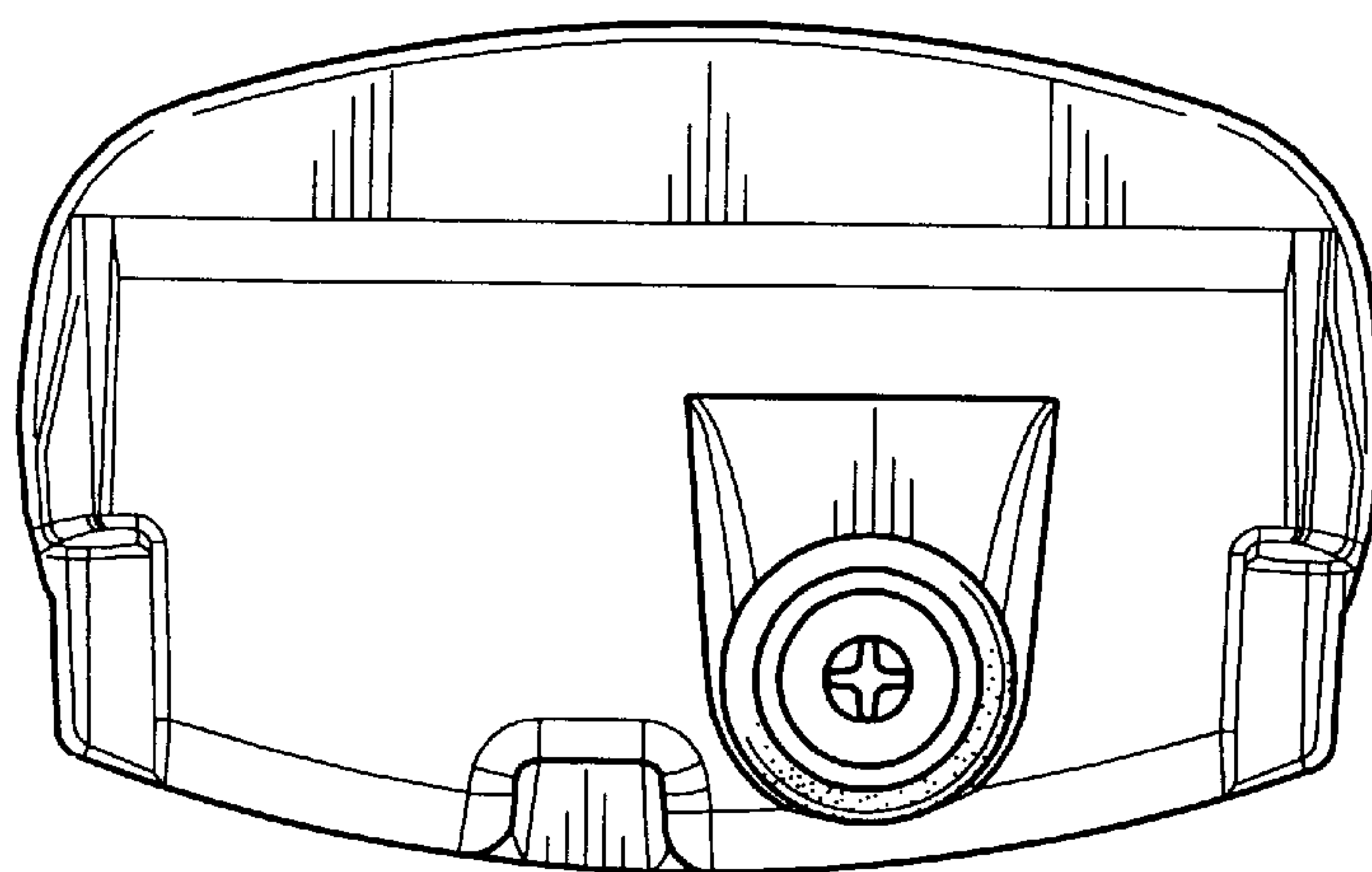


FIG. 7