



US00D439379S

(12) **United States Design Patent**
Gammack et al.

(10) **Patent No.:** **US D439,379 S**

(45) **Date of Patent:** **** Mar. 20, 2001**

(54) **VACUUM CLEANER**

(75) **Inventors:** **Peter David Gammack**, Bath; **James Dyson**, Little Somerford; **Andrew Walter McRae Thomson**, Gloucestershire, all of (GB)

(73) **Assignee:** **Notetry Limited**, Little Somerford (GB)

(**) **Term:** **14 Years**

(21) **Appl. No.:** **29/100,756**

(22) **Filed:** **Feb. 17, 1999**

(30) **Foreign Application Priority Data**

Aug. 18, 1998 (GB) 2076926

(51) **LOC (7) Cl.** **15-05**

(52) **U.S. Cl.** **D32/22**

(58) **Field of Search** D32/17-18, 21-22, D32/25, 30-34; 15/320-321, 323-334, 329, 344, 347, 349, 350-353, 410, 412, 335, 337, 339, 391; 55/473, 337; 95/271

(56) **References Cited**

U.S. PATENT DOCUMENTS

D. 305,269 * 12/1989 Dyson D32/22

D. 309,203 * 7/1990 Goodrich D32/22
D. 343,707 * 1/1994 Dyson D32/22
D. 365,669 * 12/1995 Piccaluga et al. D32/22
D. 375,820 * 11/1996 Piccaluga et al. D32/22
D. 417,533 * 12/1999 Burchard et al. D32/22
4,571,772 * 2/1986 Dyson 15/335
5,558,697 * 9/1996 Dyson et al. 95/12

* cited by examiner

Primary Examiner—Ruth McInroy

(74) *Attorney, Agent, or Firm*—Ian C. McLeod

(57) **CLAIM**

The ornamental design for a vacuum cleaner, as shown and described.

DESCRIPTION

FIG. 1 is a front elevational view of a vacuum cleaner showing our new design;

FIG. 2 is a rear elevational view thereof;

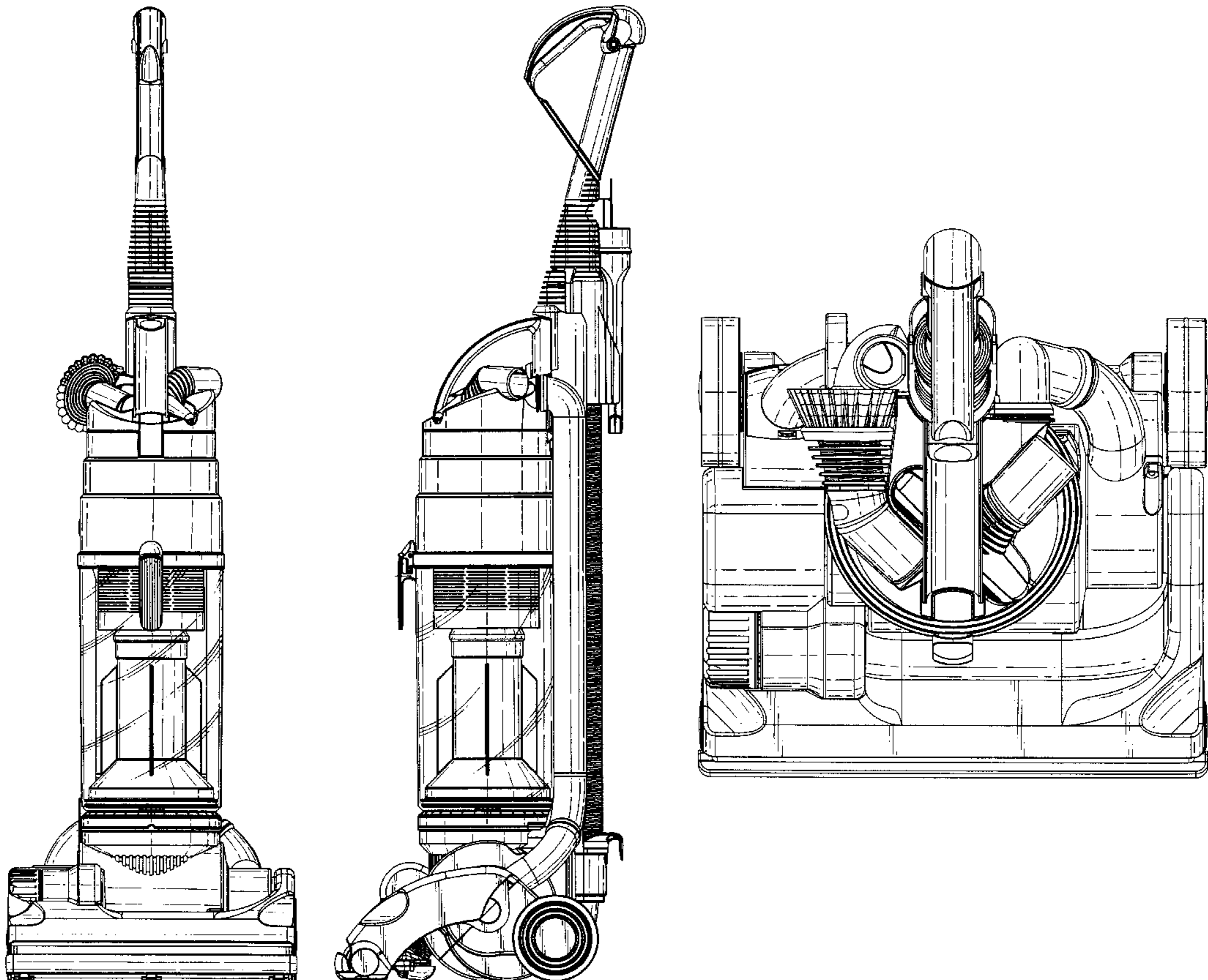
FIG. 3 is a left side elevational view thereof;

FIG. 4 is a right side elevational view thereof;

FIG. 5 is a top plan view thereof; and,

FIG. 6 is a bottom plan view thereof.

1 Claim, 4 Drawing Sheets



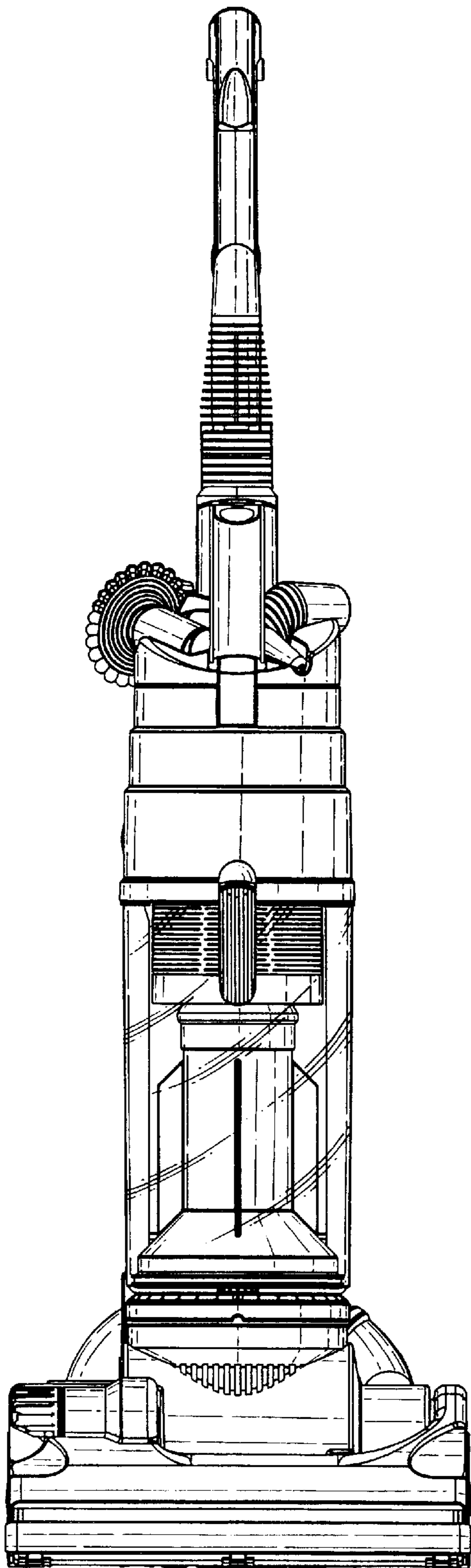


Fig.1

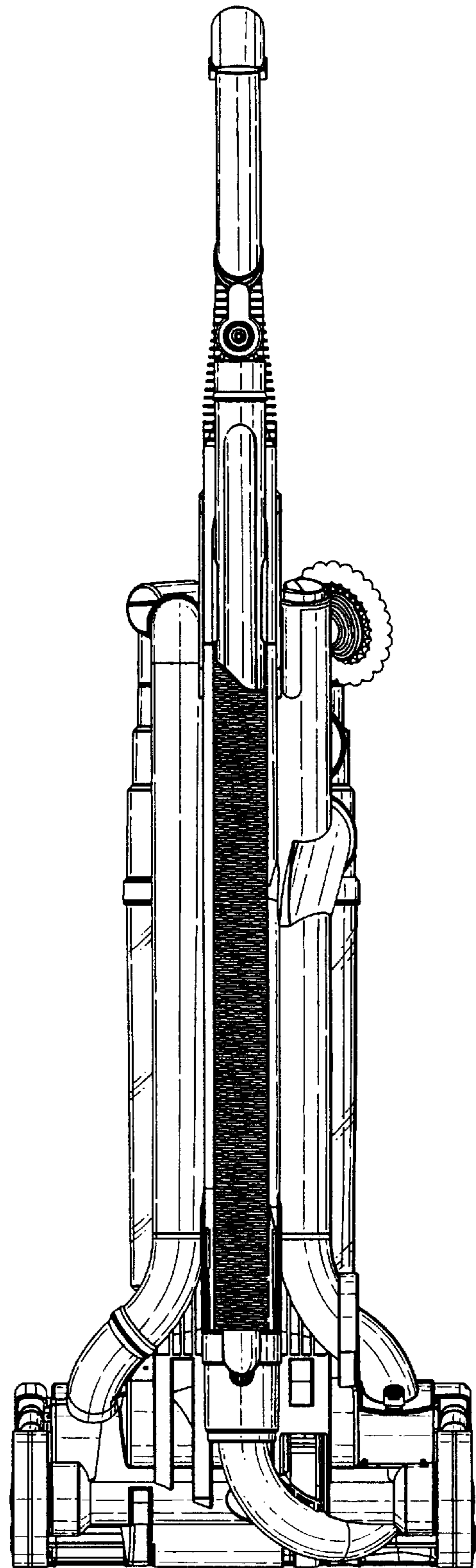


Fig.2

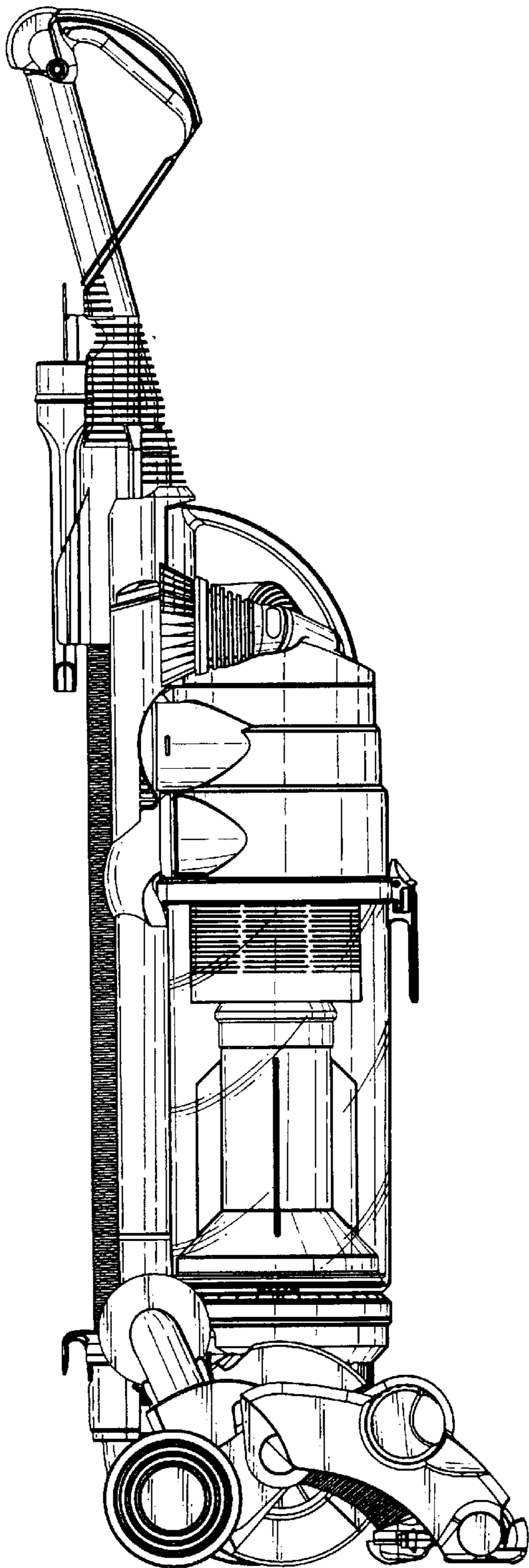


Fig.3

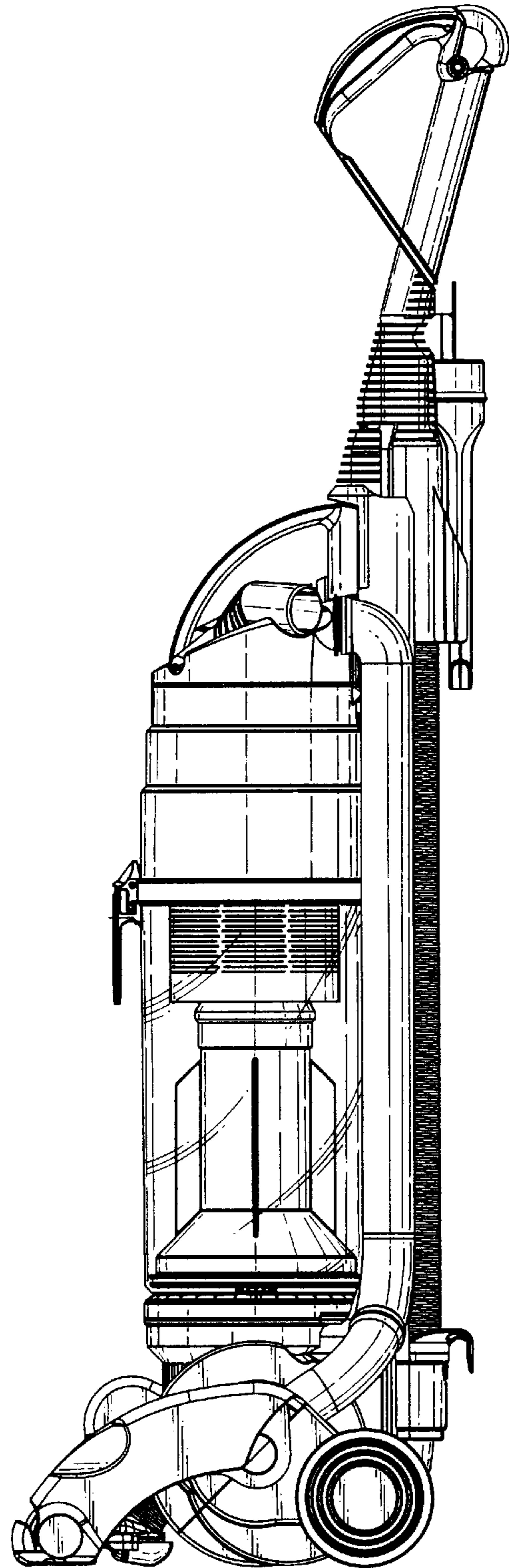


Fig.4

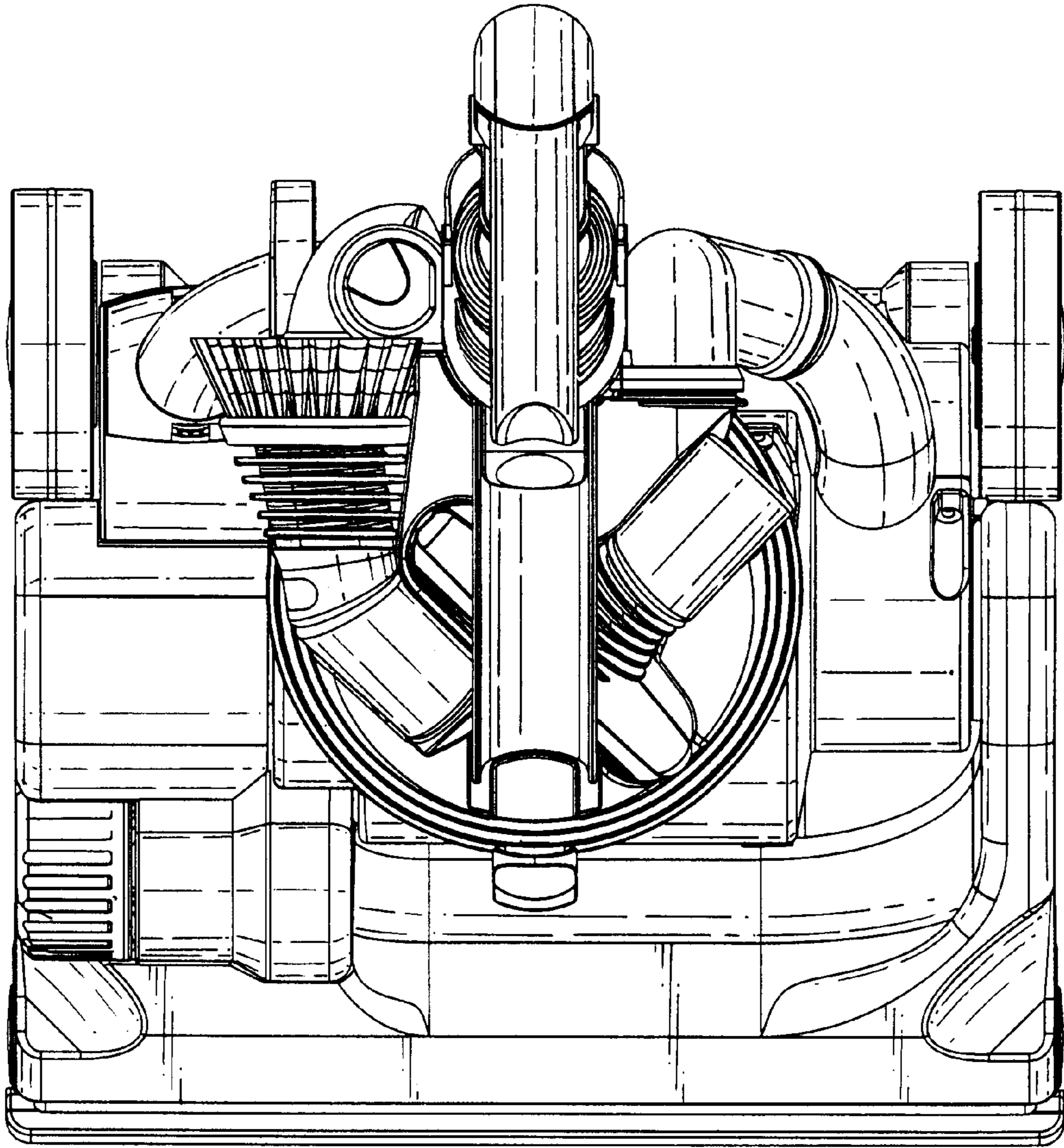


Fig.5

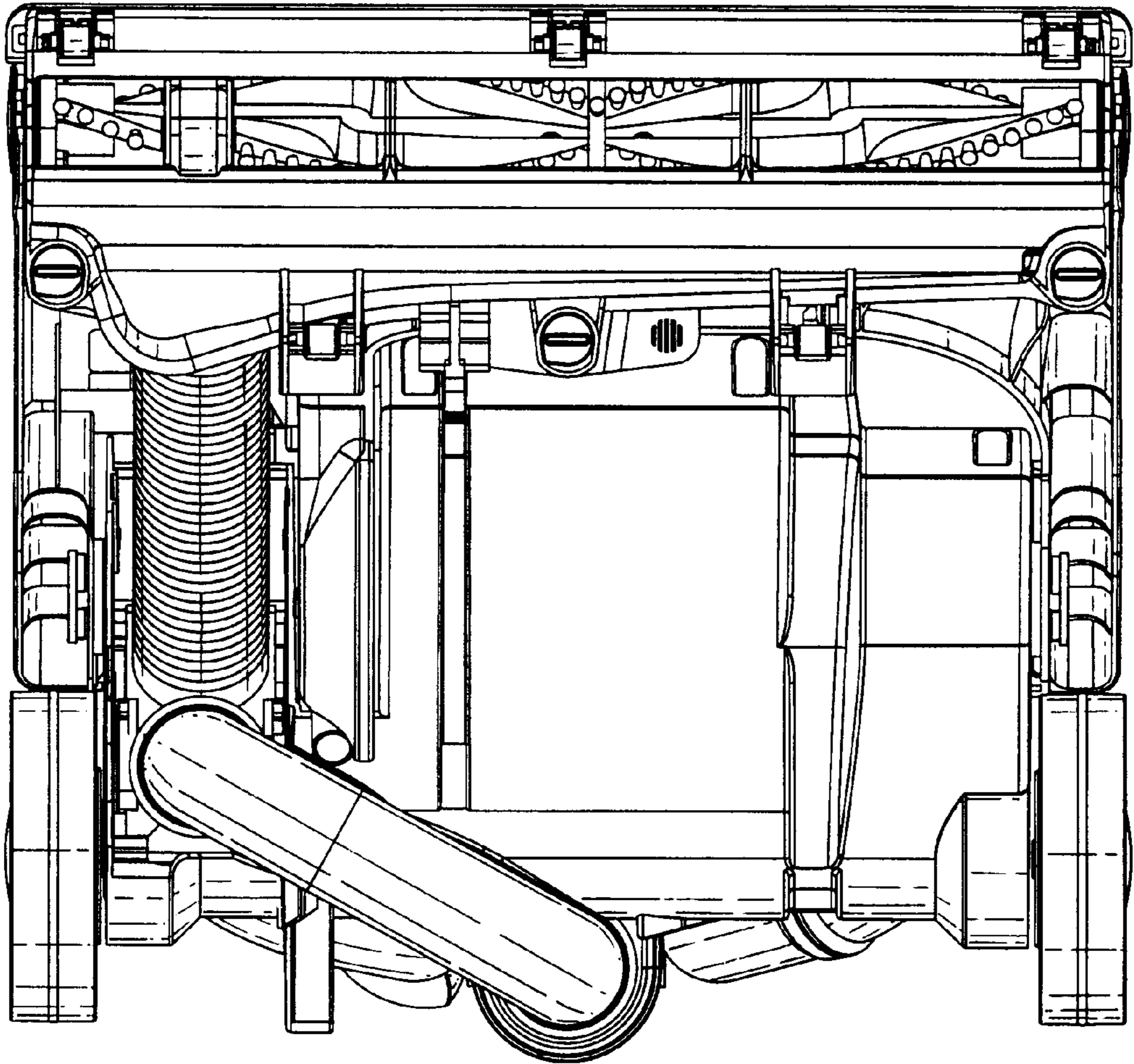


Fig.6