



US00D439372S

(12) **United States Design Patent**  
**Yip**

(10) **Patent No.:** **US D439,372 S**

(45) **Date of Patent:** **\*\* Mar. 20, 2001**

(54) **ADJUSTABLE HAIR DRYER**

(75) **Inventor:** Alan Yip, Kwai Chung (HK)

(73) **Assignee:** Dickson Industrial Co., Ltd. (HK)

(\*\*) **Term:** 14 Years

(21) **Appl. No.:** 29/116,896

(22) **Filed:** Jan. 13, 2000

(51) **LOC (7) Cl.** ..... 28-03

(52) **U.S. Cl.** ..... D28/13

(58) **Field of Search** ..... D28/12, 13, 14,  
D28/15, 16, 17, 18; 34/97, 99; 392/384,  
385, 380, 383, 379

(56) **References Cited**

**U.S. PATENT DOCUMENTS**

D. 238,009	*	12/1975	Long	.....	D28/13
D. 240,561	*	7/1976	Dybala	.....	D28/13
D. 261,563	*	10/1981	Lee	.....	D28/13
D. 290,528	*	6/1987	Muller	.....	D28/13
D. 343,698	*	1/1994	Sharples	.....	D28/13
D. 353,224	*	12/1994	Rizzuto, Jr.	.....	D28/13
D. 369,434	*	4/1996	Lecompte, Sr.	.....	D28/13

2,004,488 \* 6/1935 Kelley ..... 392/383

4,019,260 \* 4/1977 Levy et al. .... 34/97

4,835,879 \* 6/1989 Egelstad ..... 34/97

\* cited by examiner

*Primary Examiner*—Paula A. Mortimer

(74) *Attorney, Agent, or Firm*—Burns, Doane, Swecker & Mathis, L.L.P.

(57) **CLAIM**

The ornamental design for a “adjustable hair dryer”, as shown and described.

**DESCRIPTION**

FIG. 1 is a left side view of a “adjustable hair dryer” showing my design;

FIG. 2 is a top view thereof;

FIG. 3 is a bottom view thereof;

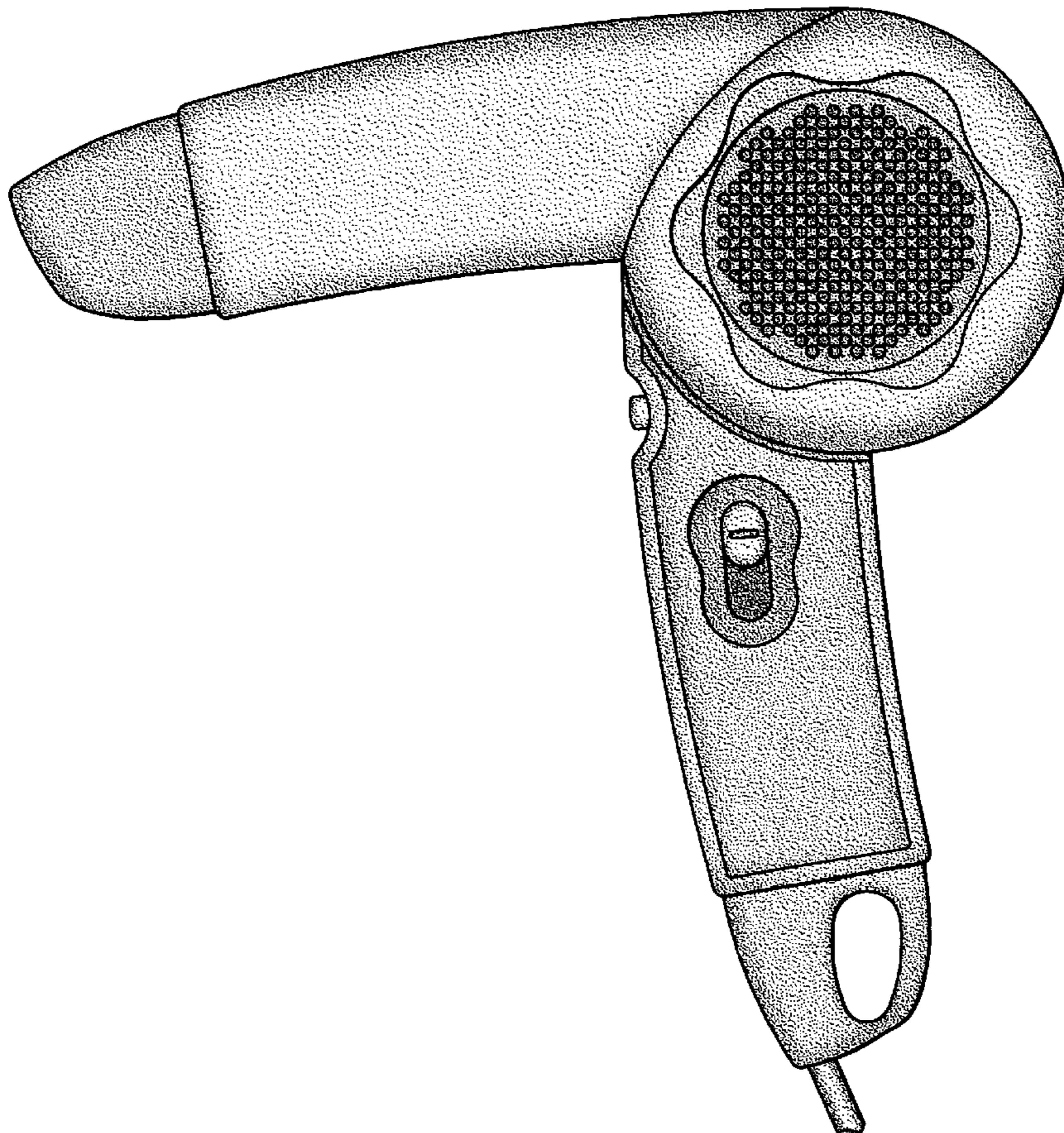
FIG. 4 is a front view thereof;

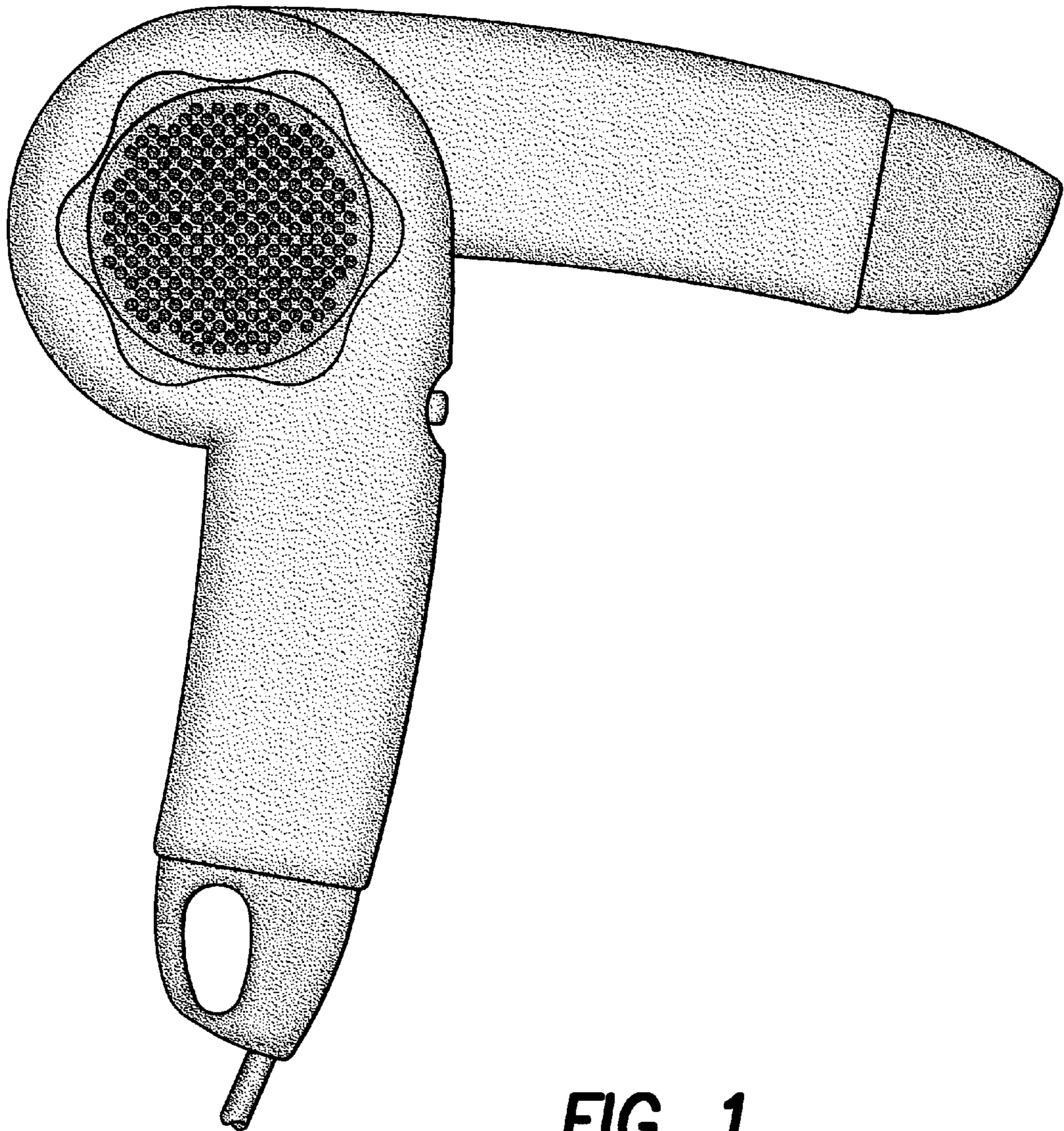
FIG. 5 is a right side view thereof;

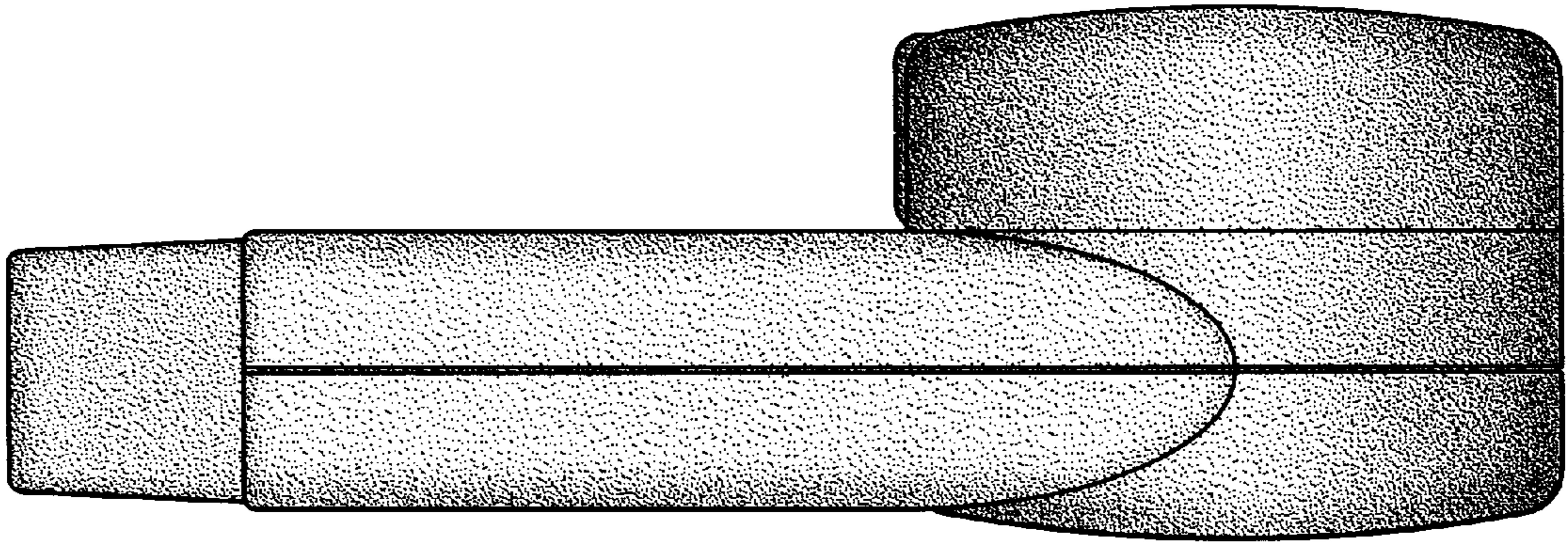
FIG. 6 is a rear view thereof; and,

FIG. 7 is a right side view illustrating alternative configurations thereof.

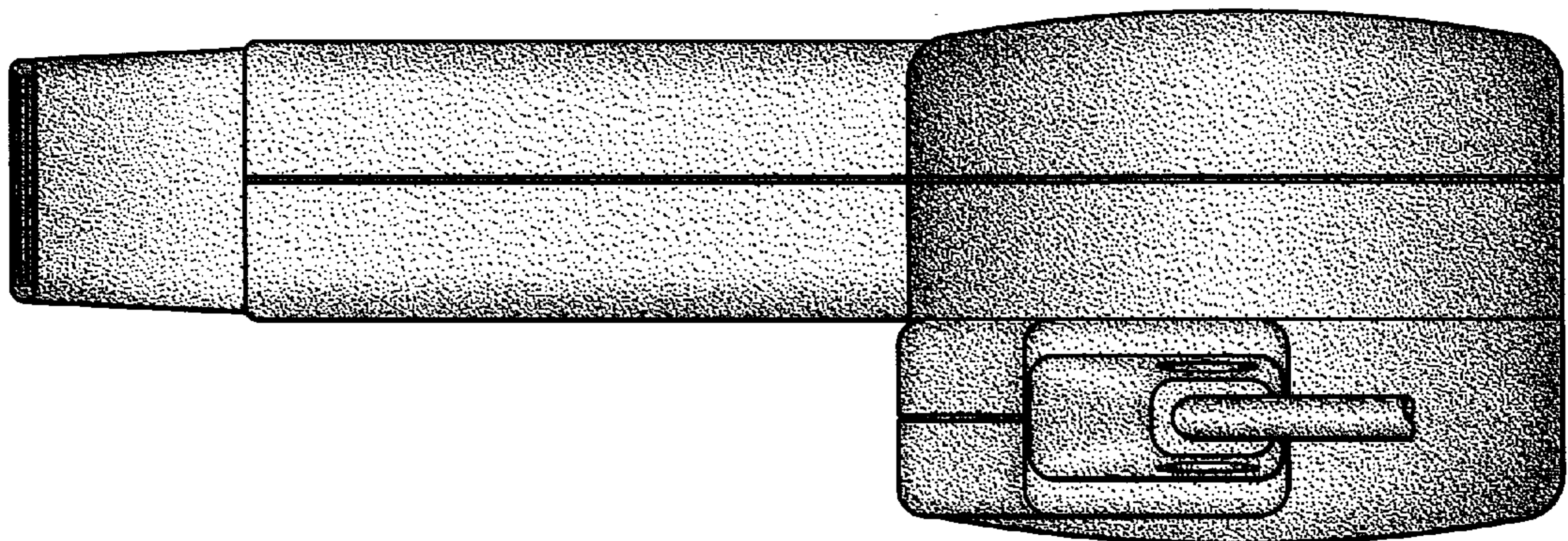
**1 Claim, 6 Drawing Sheets**



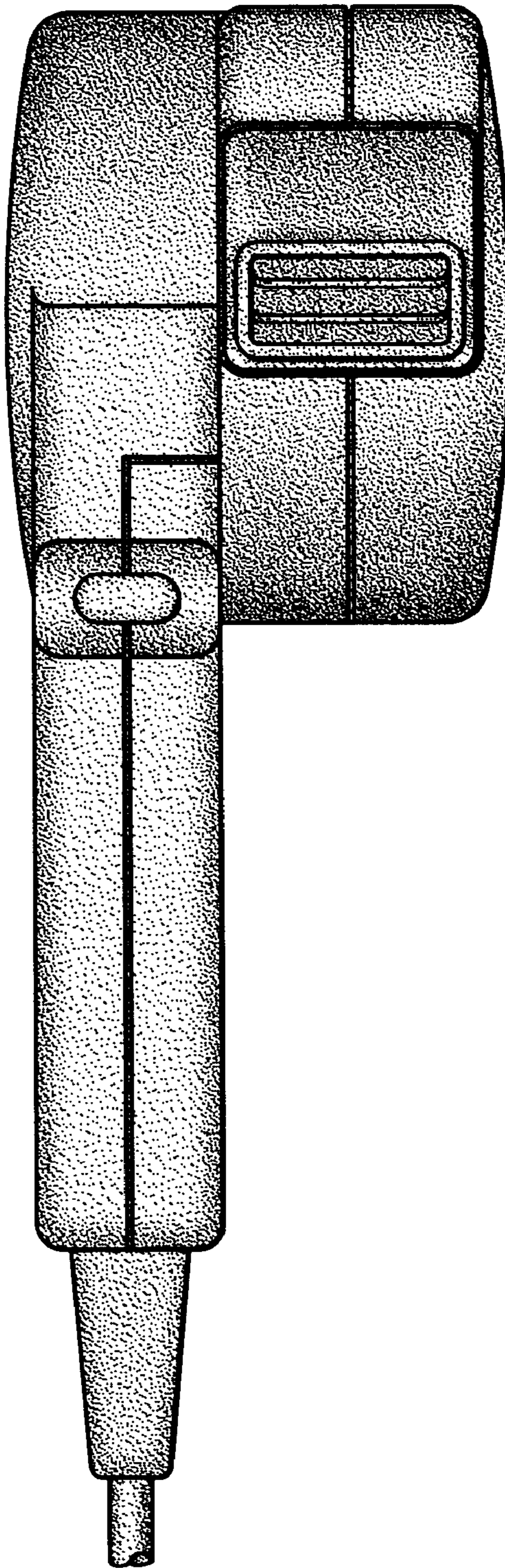




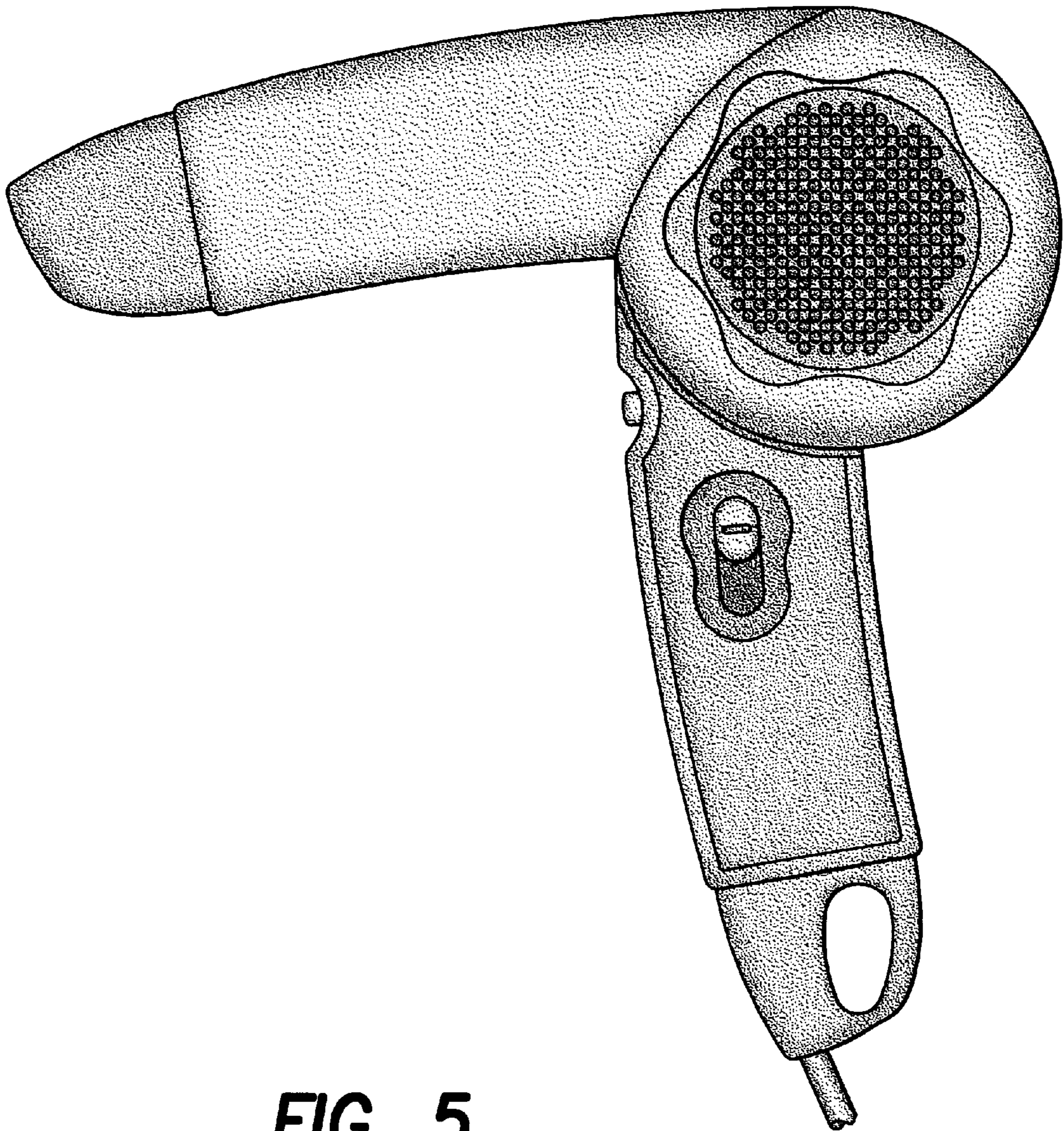
**FIG. 2**



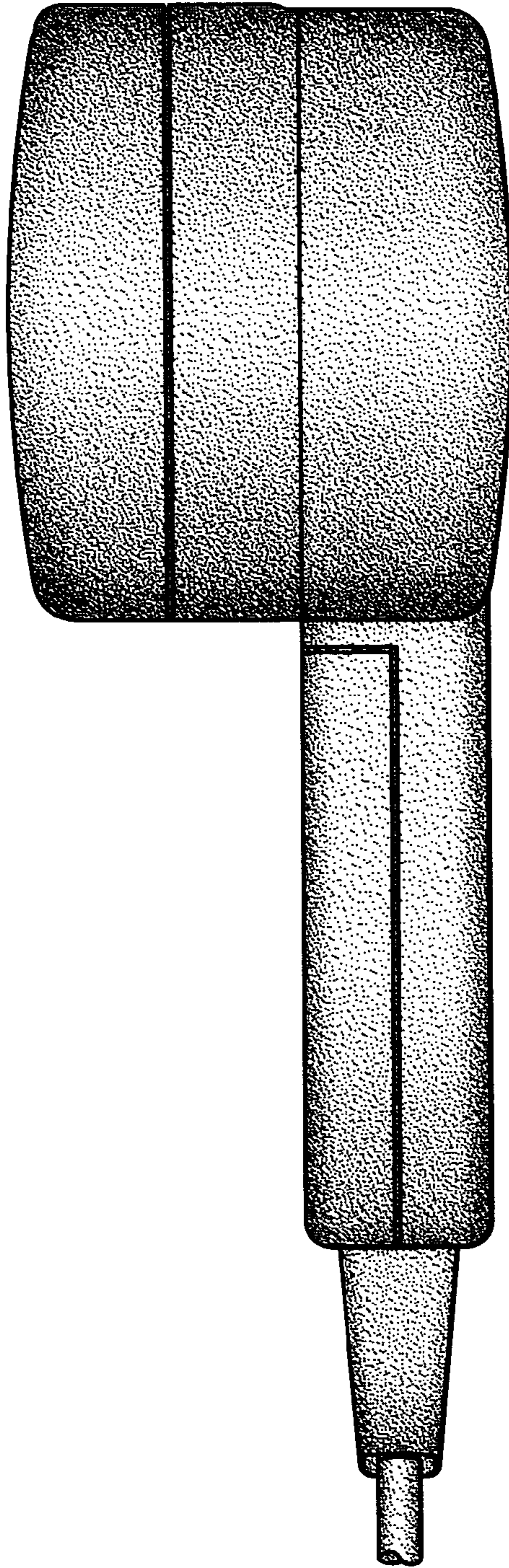
**FIG. 3**



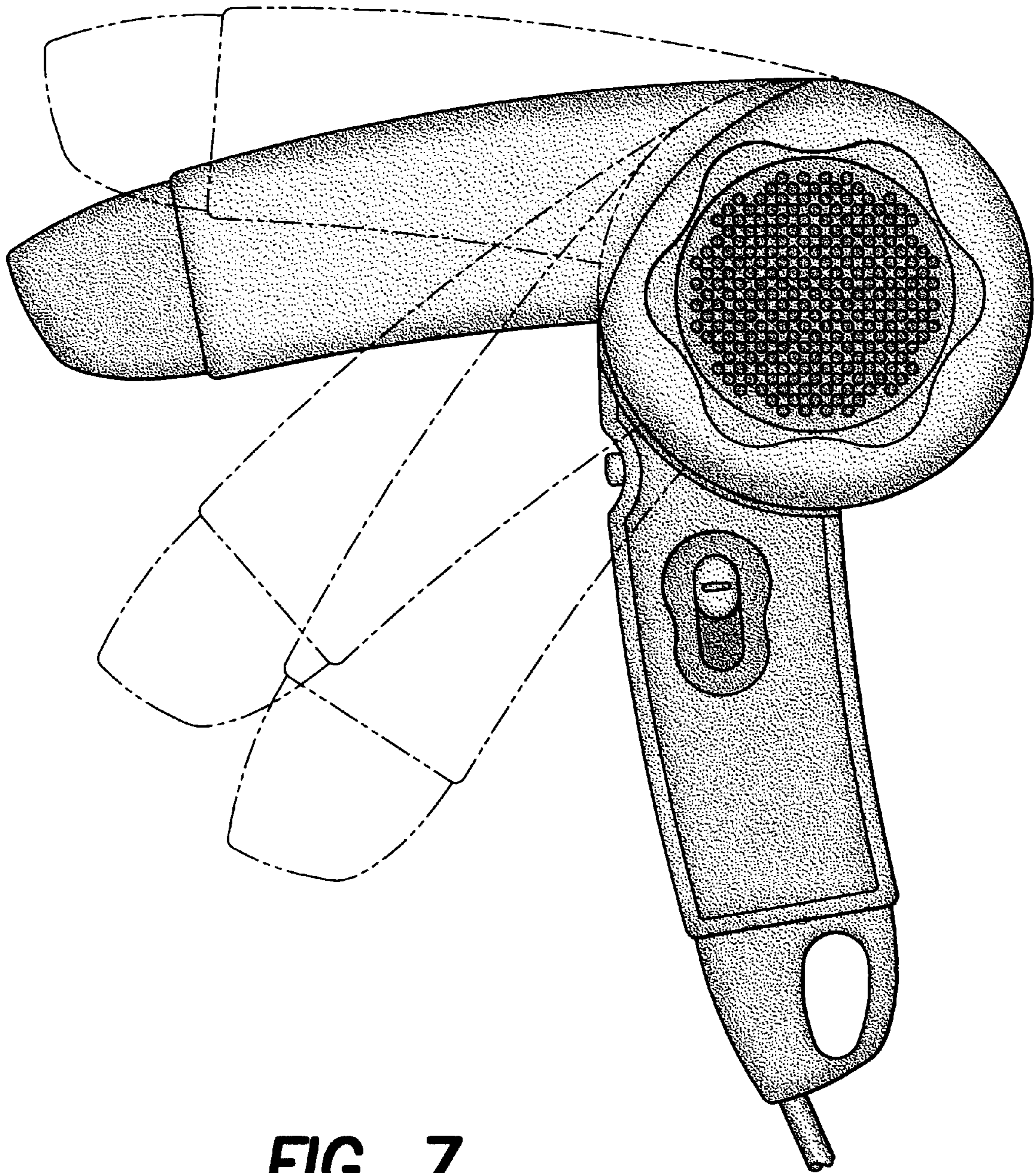
**FIG. 4**



**FIG. 5**



**FIG. 6**



**FIG. 7**