



US00D439370S

(12) **United States Design Patent**
Chen

(10) **Patent No.:** **US D439,370 S**

(45) **Date of Patent:** **** Mar. 20, 2001**

(54) **CIGARETTE LIGHTER CASE WITH DIGITAL CLOCK**

D. 416,106 * 11/1999 Rennecamp D27/189
5,067,895 * 11/1991 Chuang et al. 431/253

(76) Inventor: **Hui Lin Chen**, 971 Meridian,
Alhambra, CA (US) 91803

* cited by examiner

(**) Term: **14 Years**

Primary Examiner—Susan J. Lucas
Assistant Examiner—Jennifer Rivard
(74) *Attorney, Agent, or Firm*—Intellectual Property Law
Group; Otto O. Lee

(21) Appl. No.: **29/112,408**

(22) Filed: **Oct. 16, 1999**

(57) **CLAIM**

(51) **LOC (7) Cl.** **27-05**

The ornamental design for a cigarette lighter case with digital clock, as shown and described.

(52) **U.S. Cl.** **D27/161; D10/2**

(58) **Field of Search** D27/145, 161,
D27/172, 186, 188, 192, 193; 431/253;
206/85-89; D10/2

DESCRIPTION

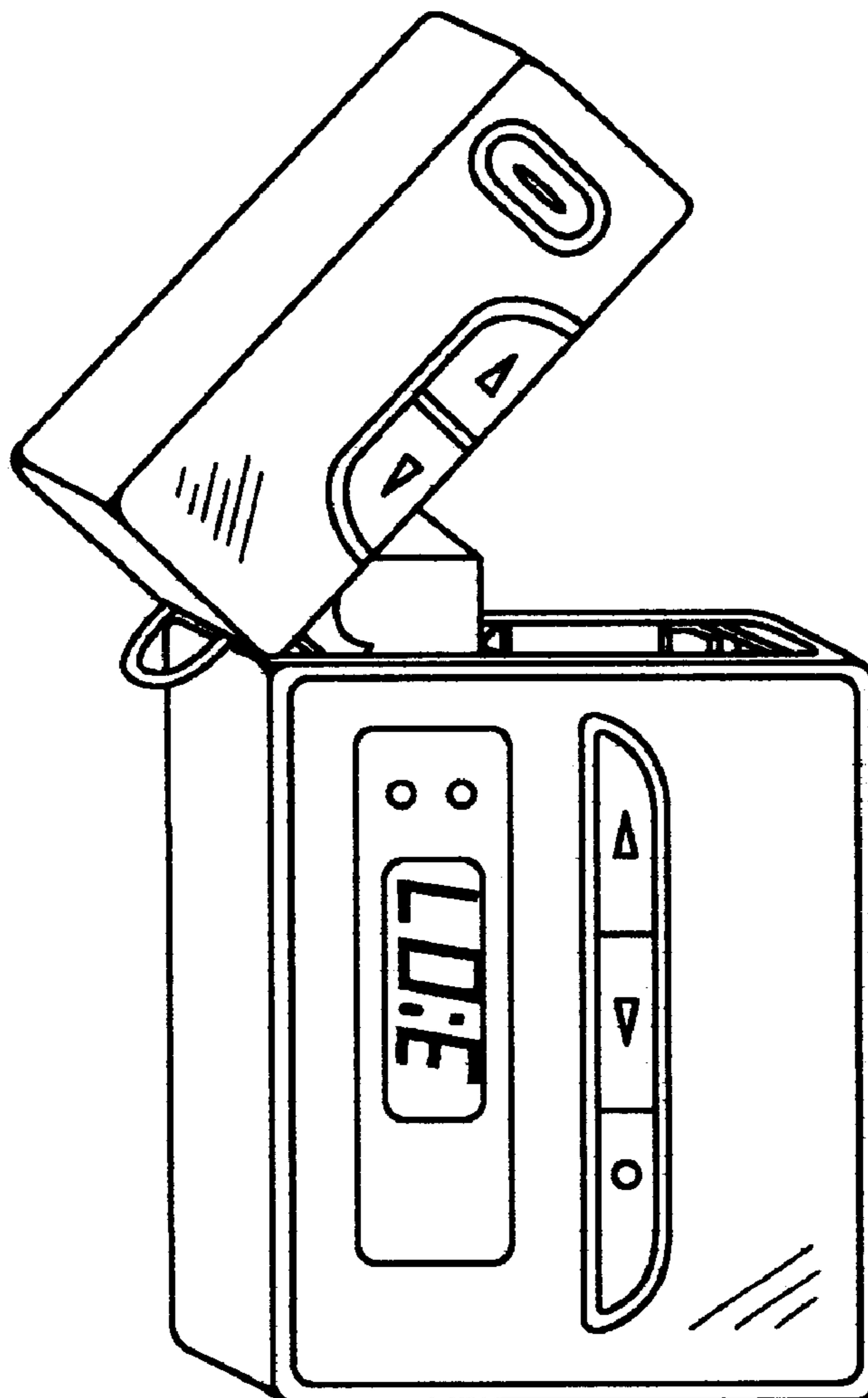
(56) **References Cited**

U.S. PATENT DOCUMENTS

D. 196,934 * 11/1963 Grushon D27/145
D. 402,401 * 12/1998 Duke D27/161
D. 411,464 * 6/1999 Jumonville D27/145 X

FIG. 1 is a perspective view of the cigarette lighter case with digital clock showing the new design.
FIG. 2 is a front elevational view thereof.
FIG. 3 is a side elevational view thereof.
FIG. 4 is a back elevational view thereof; and,
FIG. 5 is a top plan view thereof.

1 Claim, 2 Drawing Sheets



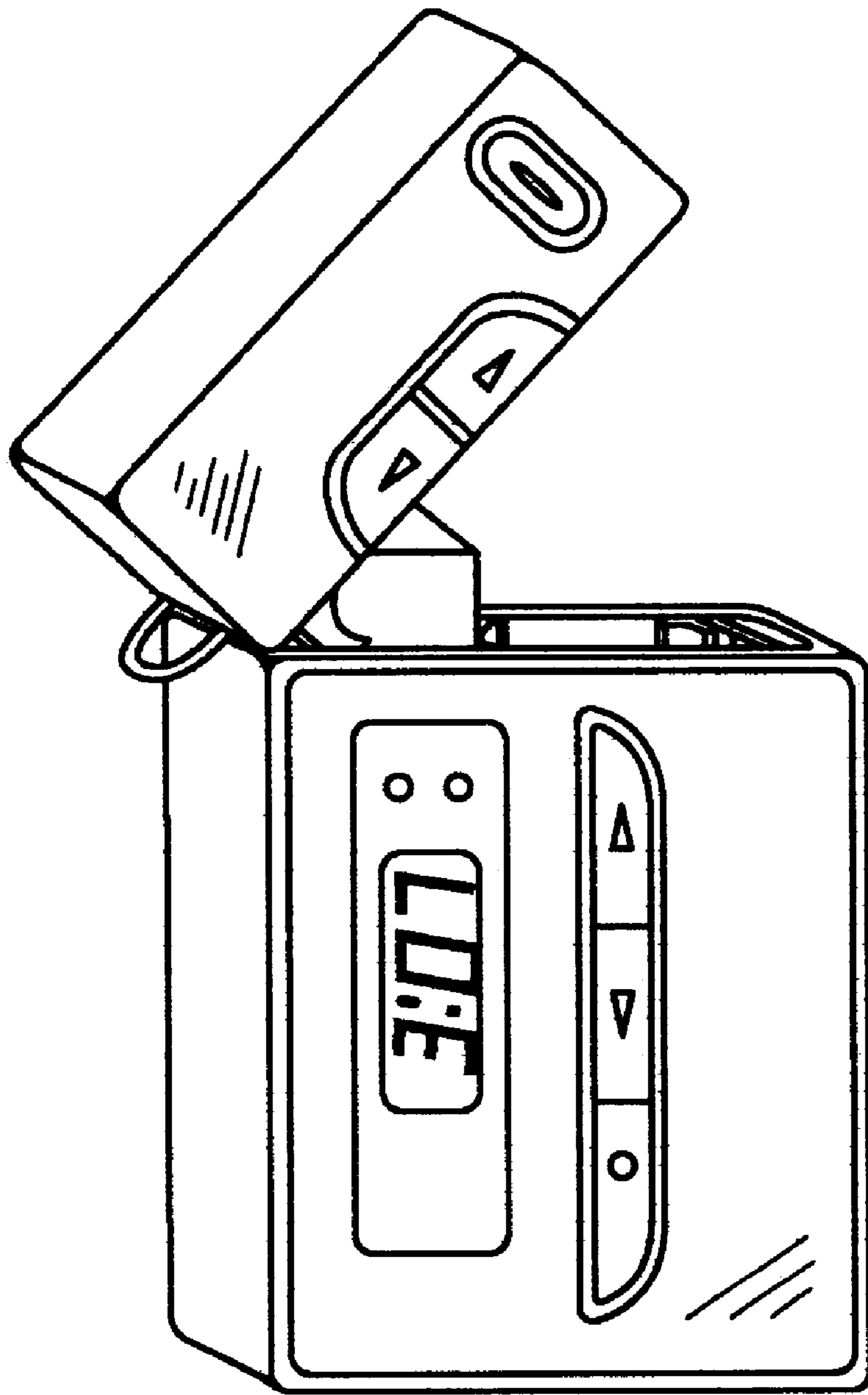


FIG. 1

FIG. 2

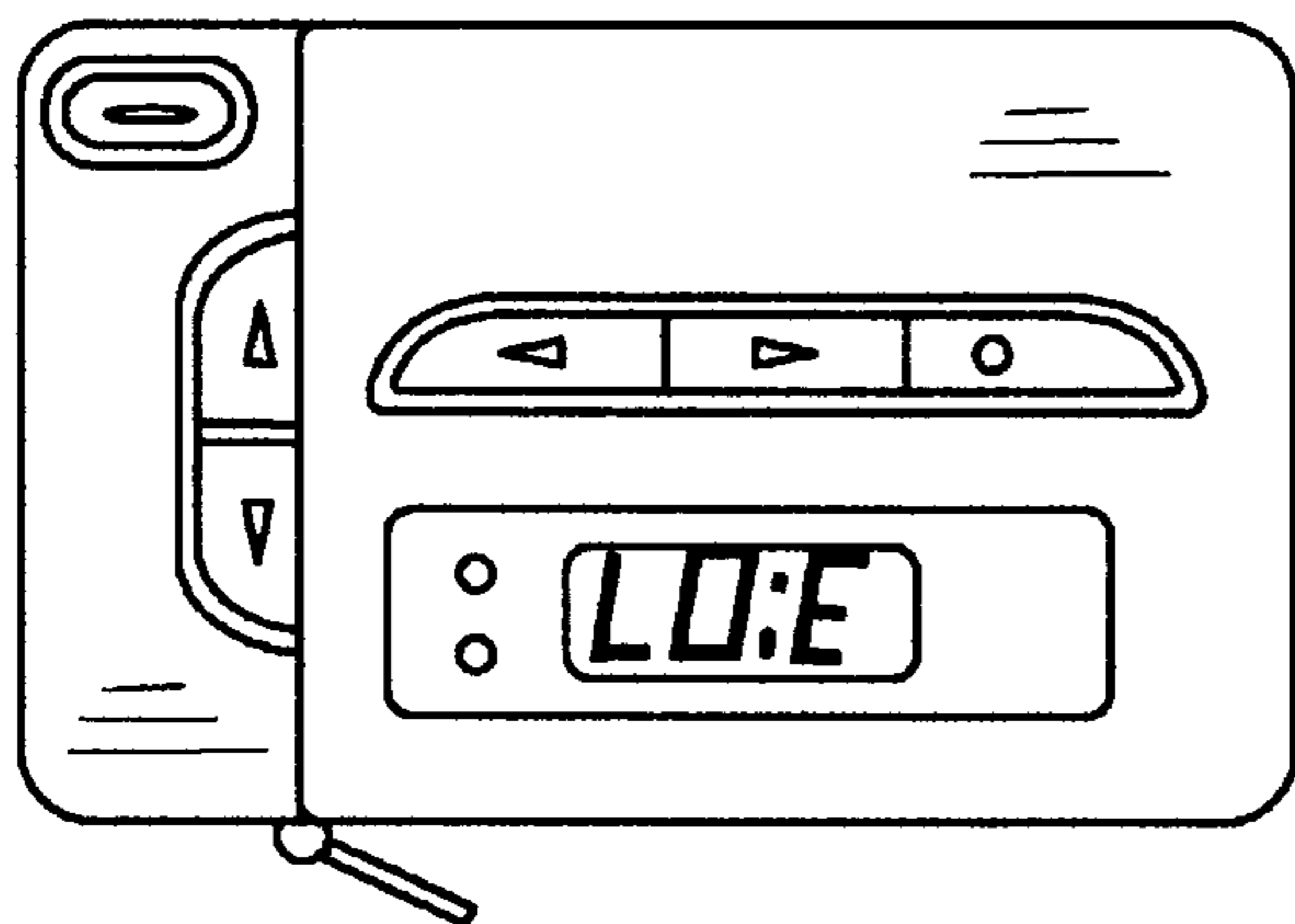


FIG. 3

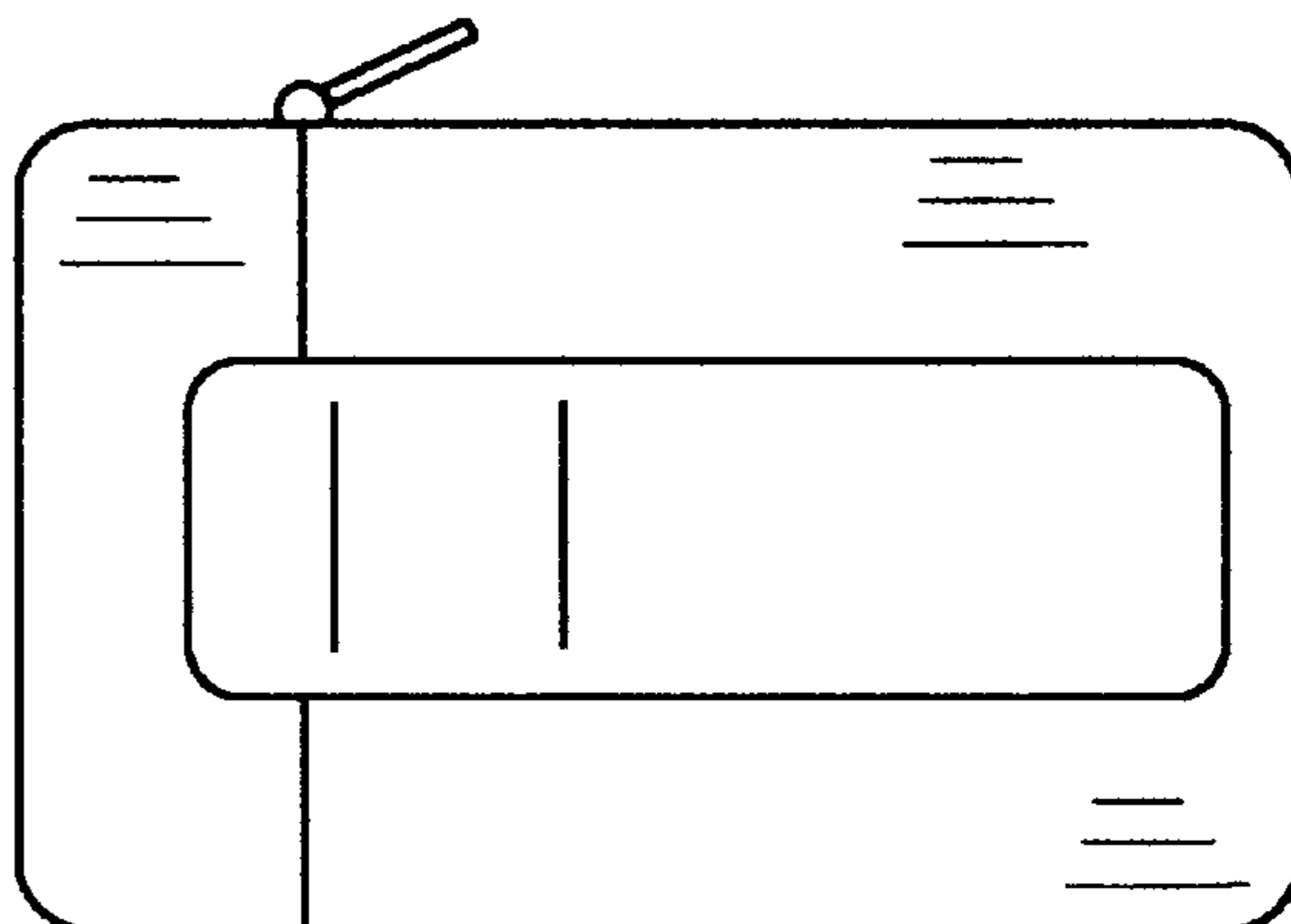
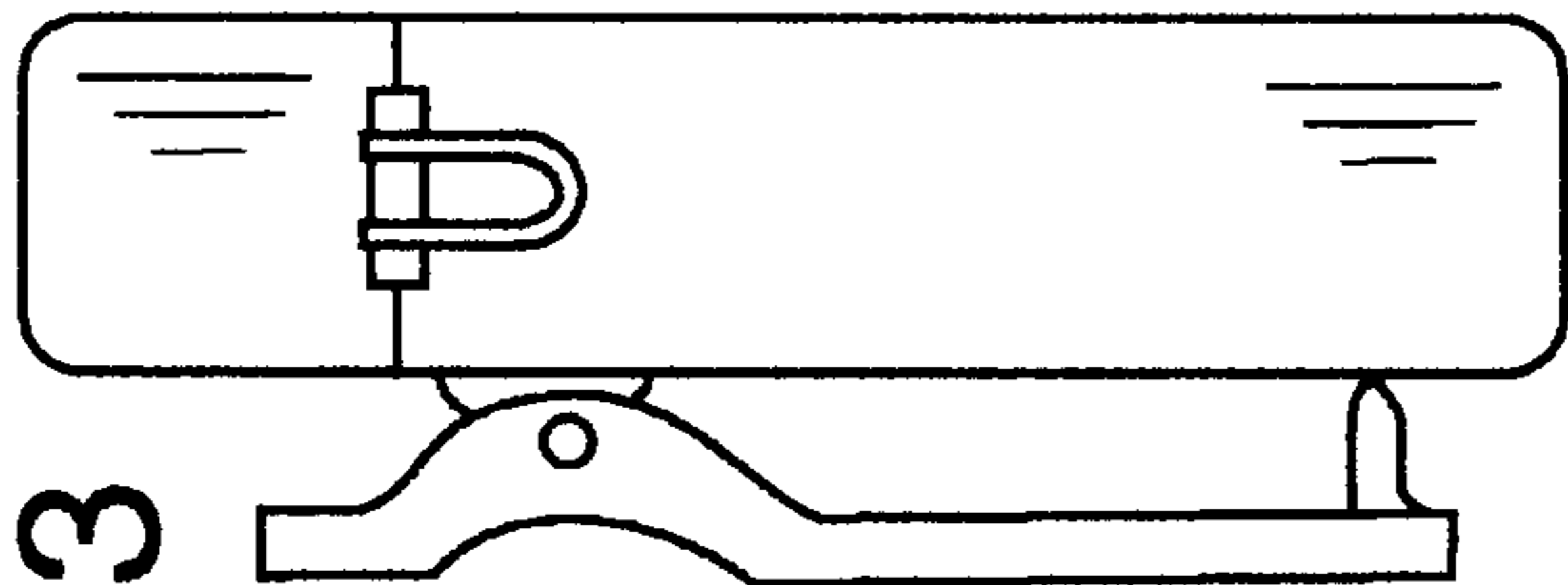


FIG. 4

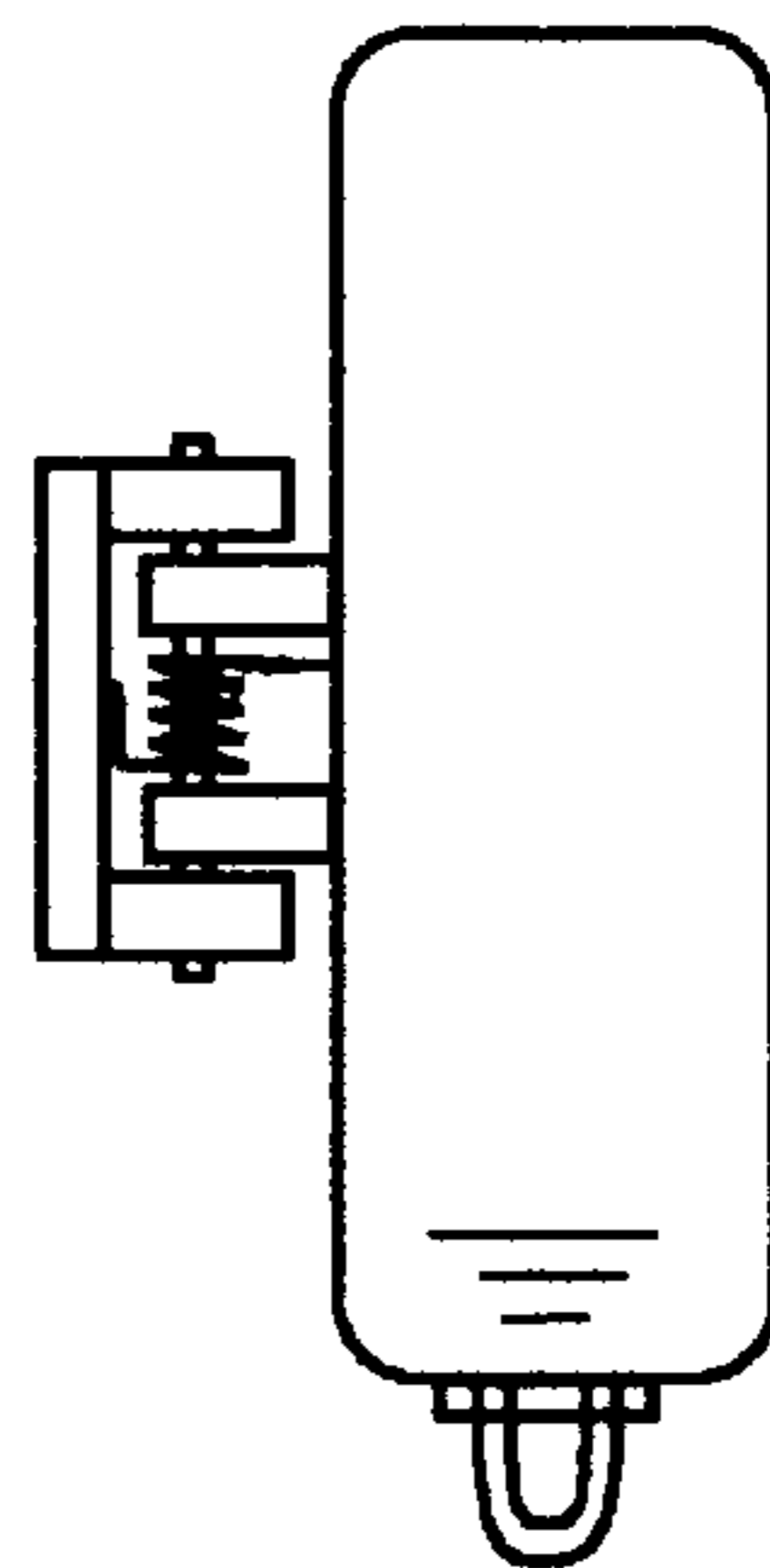


FIG. 5