



US00D439363S

(12) **United States Design Patent**
Dolan

(10) **Patent No.:** **US D439,363 S**

(45) **Date of Patent:** **** Mar. 20, 2001**

(54) **TABLE LAMP**

(76) **Inventor:** **Patrick S. Dolan**, 1901 NW. Upshur,
Portland, OR (US) 97209

(**) **Term:** **14 Years**

(21) **Appl. No.:** **29/125,266**

(22) **Filed:** **Jun. 21, 2000**

(51) **LOC (7) Cl.** **26-03**

(52) **U.S. Cl.** **D26/110**

(58) **Field of Search** D26/92-112, 128-137;
362/404-414, 326, 327, 347-361

Robert Abbey, Inc. Hickory, NC Cat. 1998 p. 64, Model 5990.

Progress Spartanburg, SC Cat. 123, 1995 p. 34 Model P8566-58.

Quoizel Hauppauge, NY Cat. 2000, 1999 p. 120, Model TF6218SV.

* cited by examiner

Primary Examiner—Alan P. Douglas

Assistant Examiner—Linda Brooks

(57) **CLAIM**

The ornamental design for a table lamp, as shown and described.

(56) **References Cited**

U.S. PATENT DOCUMENTS

D. 401,378 * 11/1998 Lin D26/134

D. 403,793 1/1999 Dolan .

D. 406,673 * 3/1999 Evans D26/134 X

OTHER PUBLICATIONS

Taiwan Lighting, lamp shade number 52201CW, p. 225, Nov. 1996.*

Fredrick Ramond Cerritos, CA Cat. 1991, p. 3 Model 2304-TL.

DESCRIPTION

FIG. 1 is a perspective view thereof;

FIG. 2 is a front elevational view thereof, the back being identical;

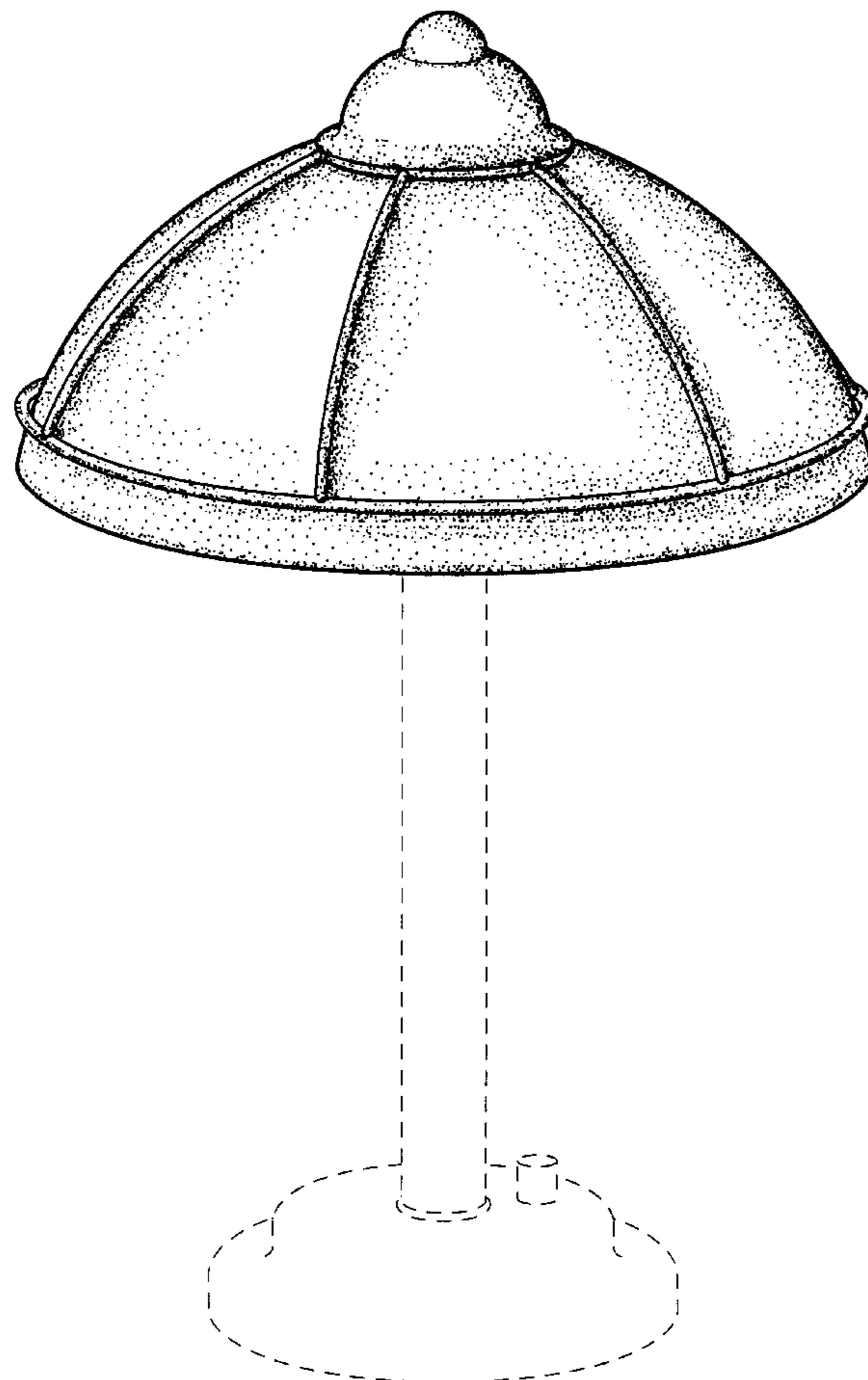
FIG. 3 is a right side view, the left side view being identical;

FIG. 4 is a top plan view thereof; and,

FIG. 5 is a bottom plan view thereof;

The broken lines shown in the drawing are environmental only and form no part of the claimed design.

1 Claim, 5 Drawing Sheets



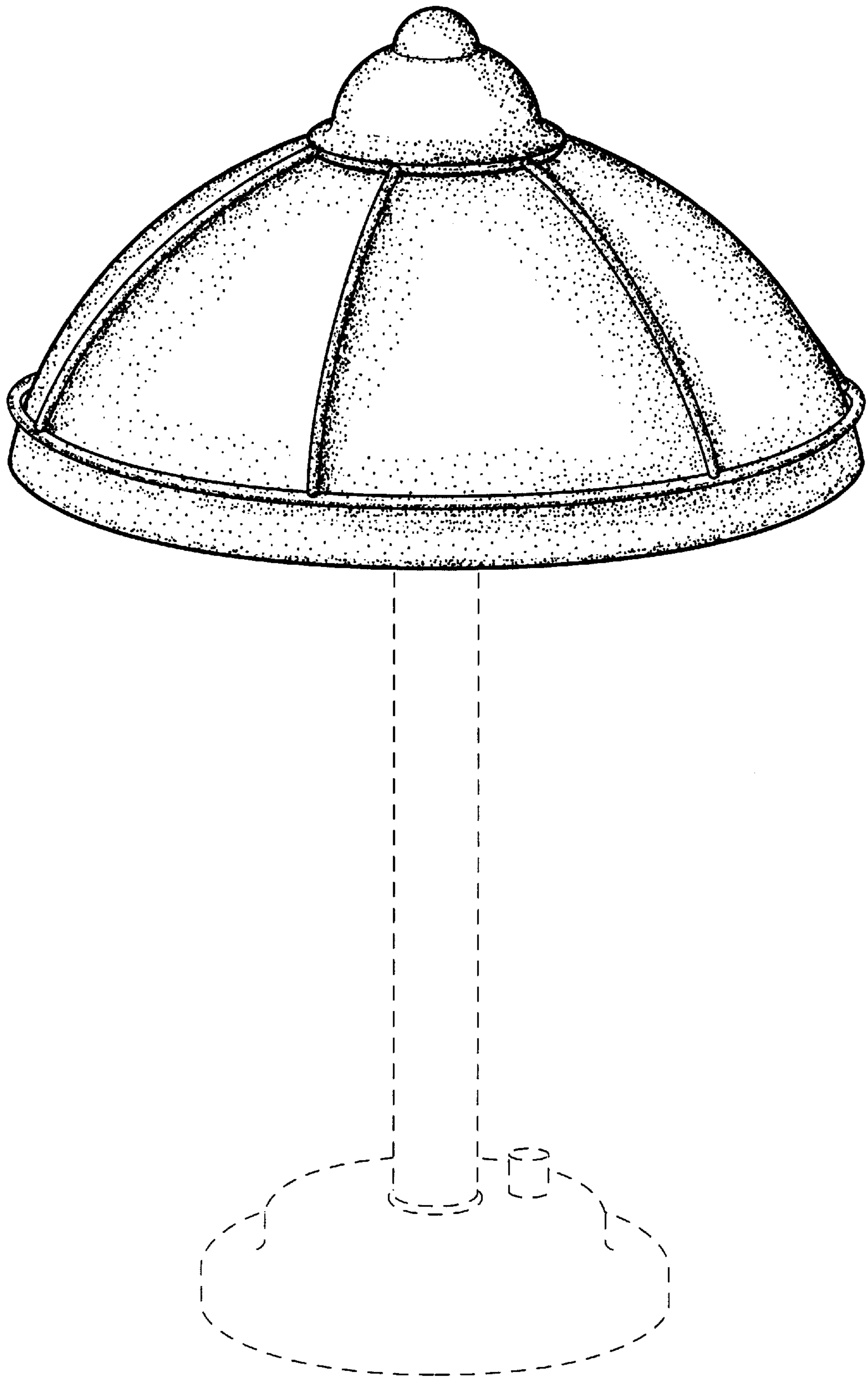


FIG. 1

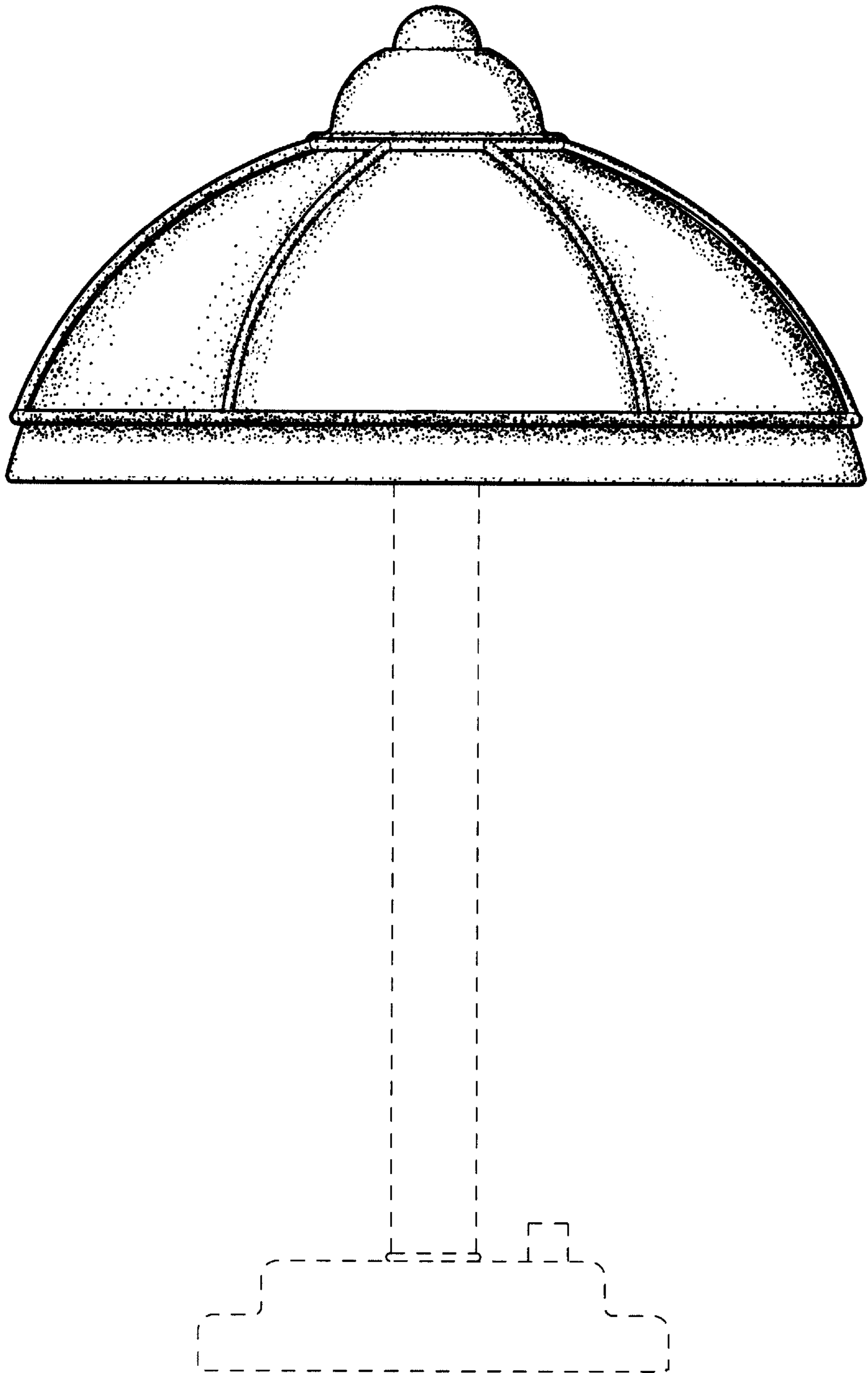


FIG. 2

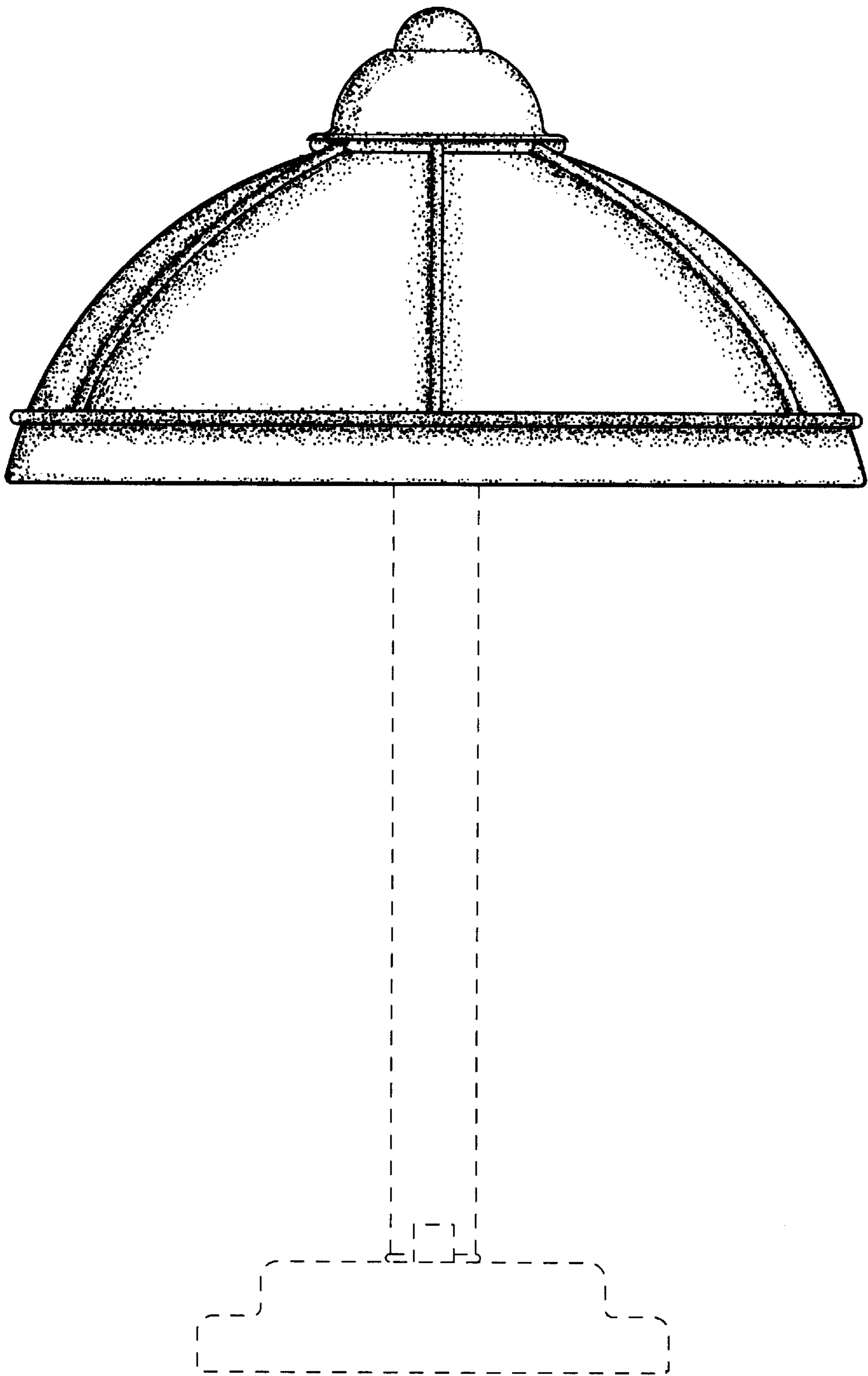


FIG. 3

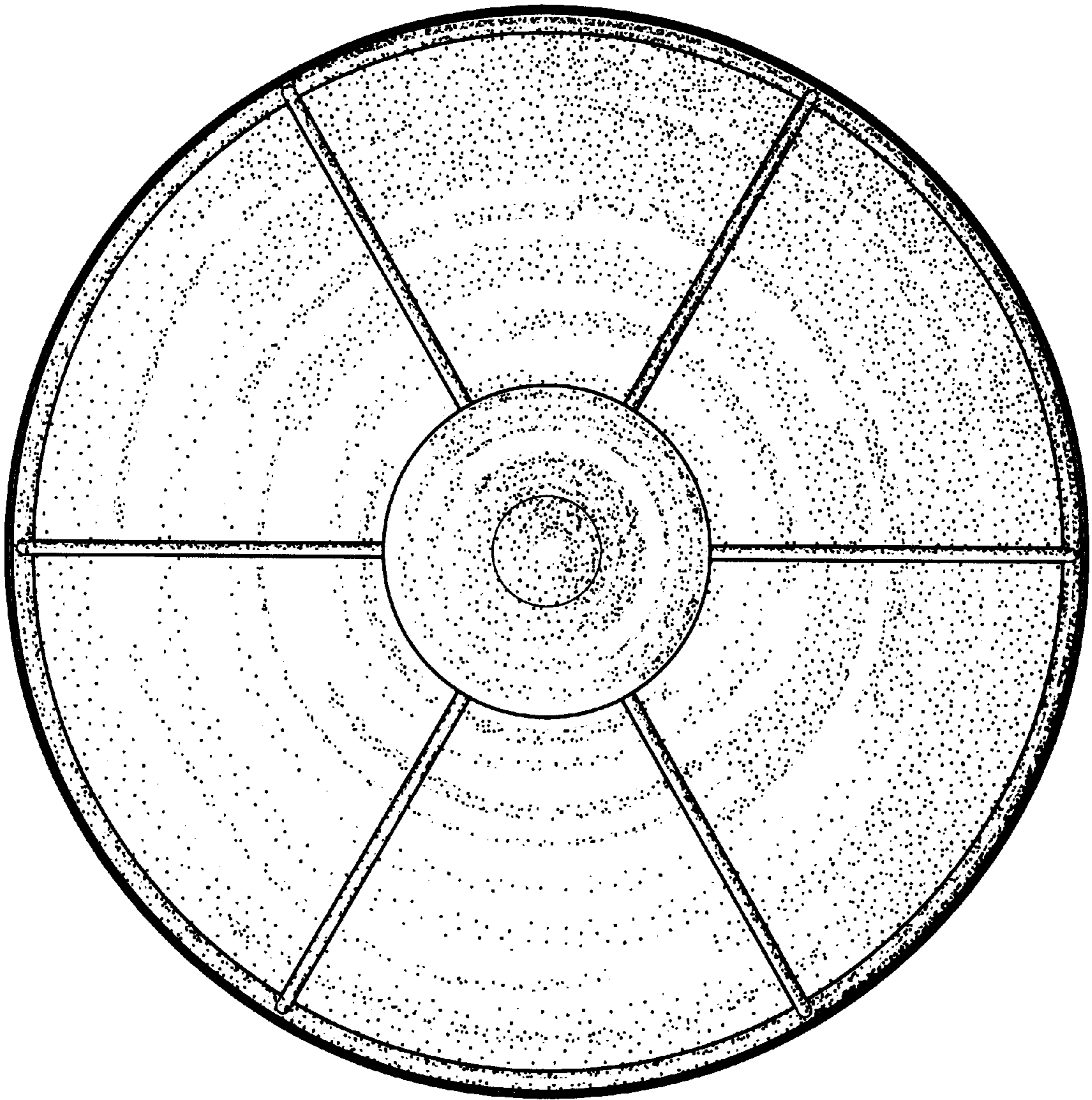


FIG. 4

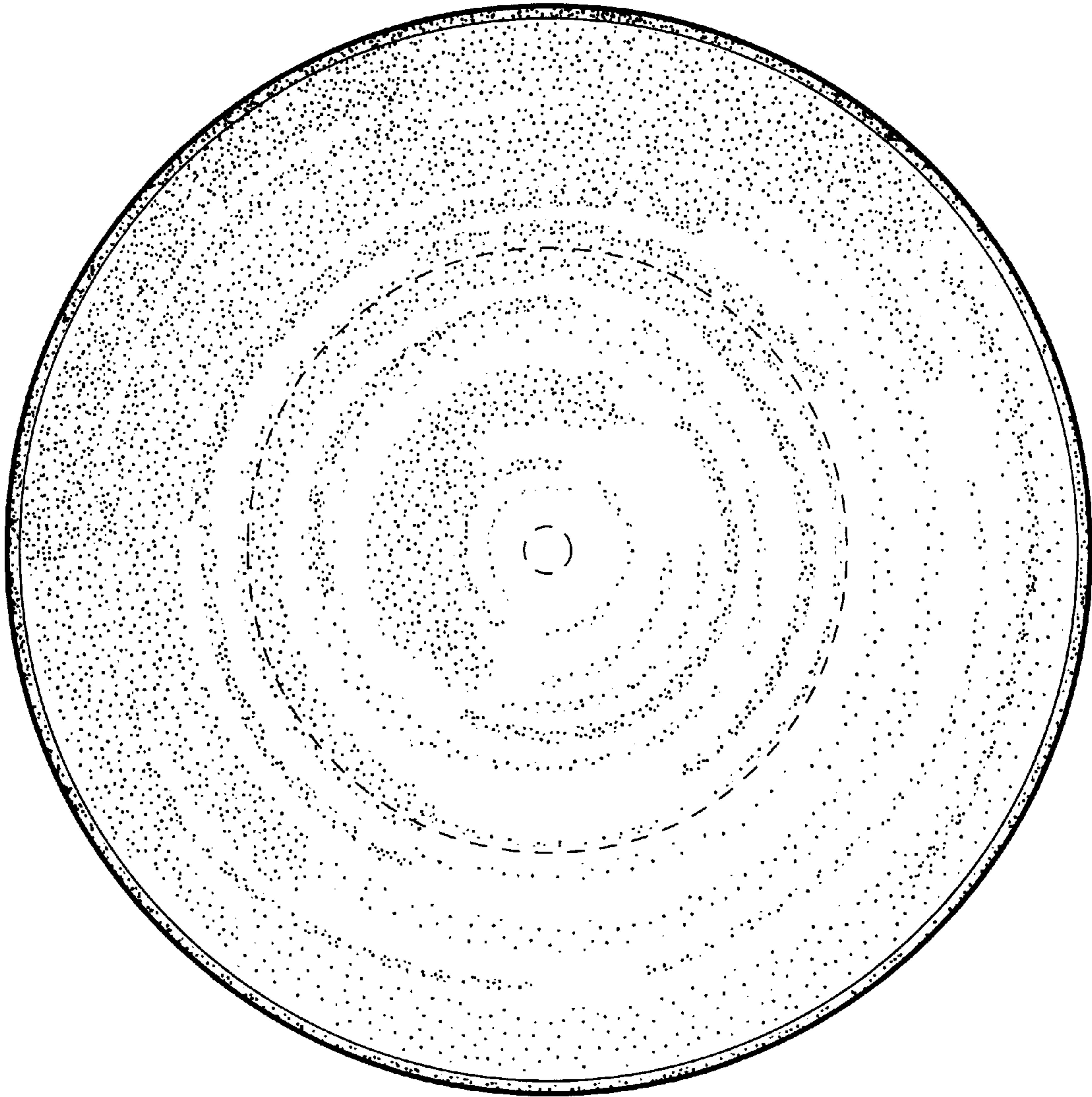


FIG. 5