



US00D439362S

(12) **United States Design Patent**
Berry

(10) **Patent No.:** **US D439,362 S**

(45) **Date of Patent:** **** Mar. 20, 2001**

(54) **SIX-SIDED TAPERED LANTERN**

(76) **Inventor:** **Thomas David Berry**, 1480 Pine Creek Dr., Lawrenceville, GA (US) 30043

(**) **Term:** **14 Years**

(21) **Appl. No.:** **29/123,245**

(22) **Filed:** **May 15, 2000**

(51) **LOC (7) Cl.** **26-03**

(52) **U.S. Cl.** **D26/87**

(58) **Field of Search** D26/72-92, 141-145,
D26/155; 362/404-408, 147, 432

(56) **References Cited**

U.S. PATENT DOCUMENTS

D. 314,834	2/1991	Rottner .	
D. 316,912	* 5/1991	Choi	D26/87
D. 333,531	2/1993	Rottner .	
D. 353,906	* 12/1994	Hsu	D26/87

* cited by examiner

Primary Examiner—Marcus A. Jackson

Assistant Examiner—Linda Brooks

(74) *Attorney, Agent, or Firm*—Patent Law Offices of Albert S. Anderson

(57) **CLAIM**

The ornamental design for a six-sided tapered lantern, as shown.

DESCRIPTION

FIG. 1 is a perspective view of a six-sided tapered lantern showing my new design;

FIG. 2 is a front elevational view thereof;

FIG. 3 is a rear elevational view thereof;

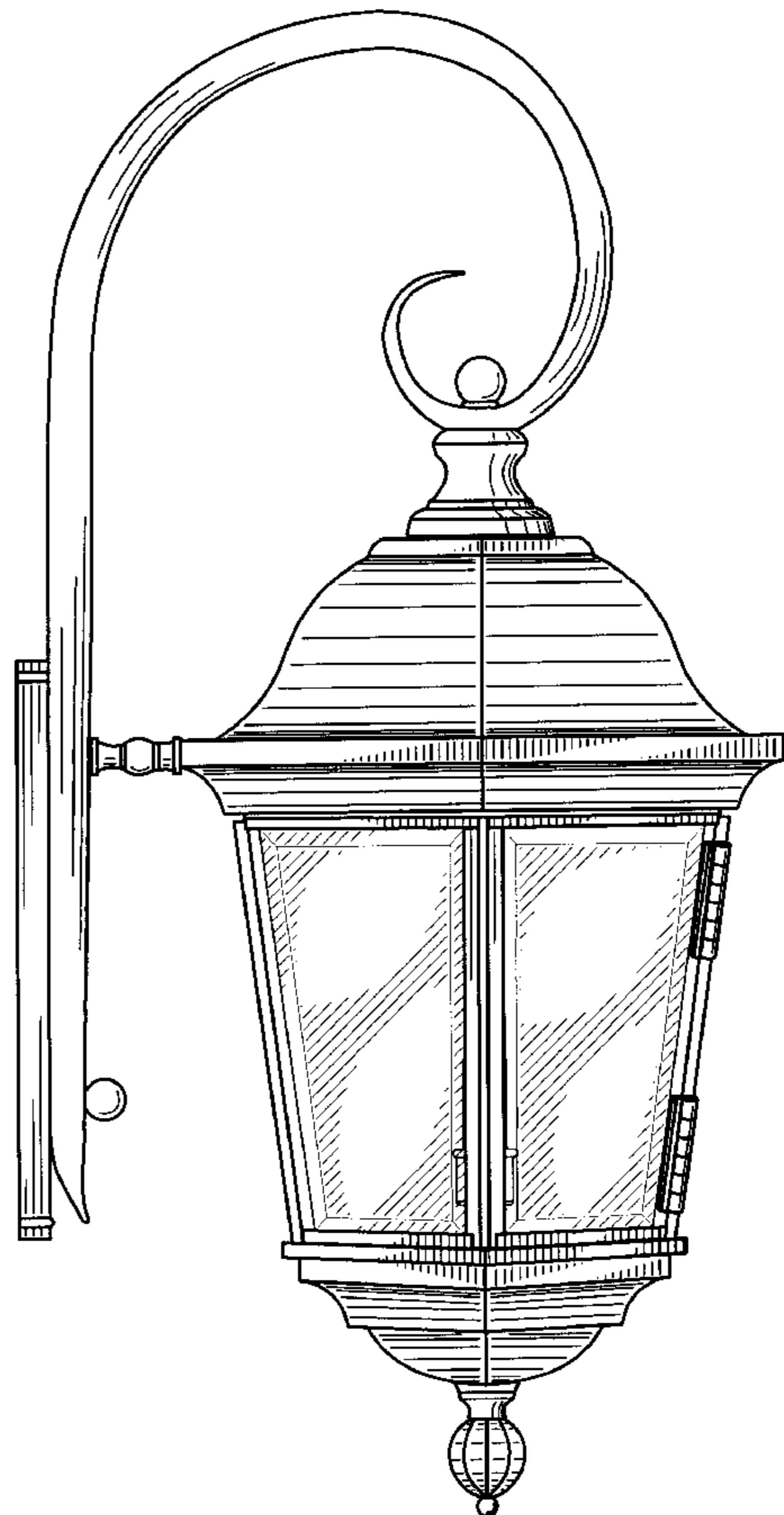
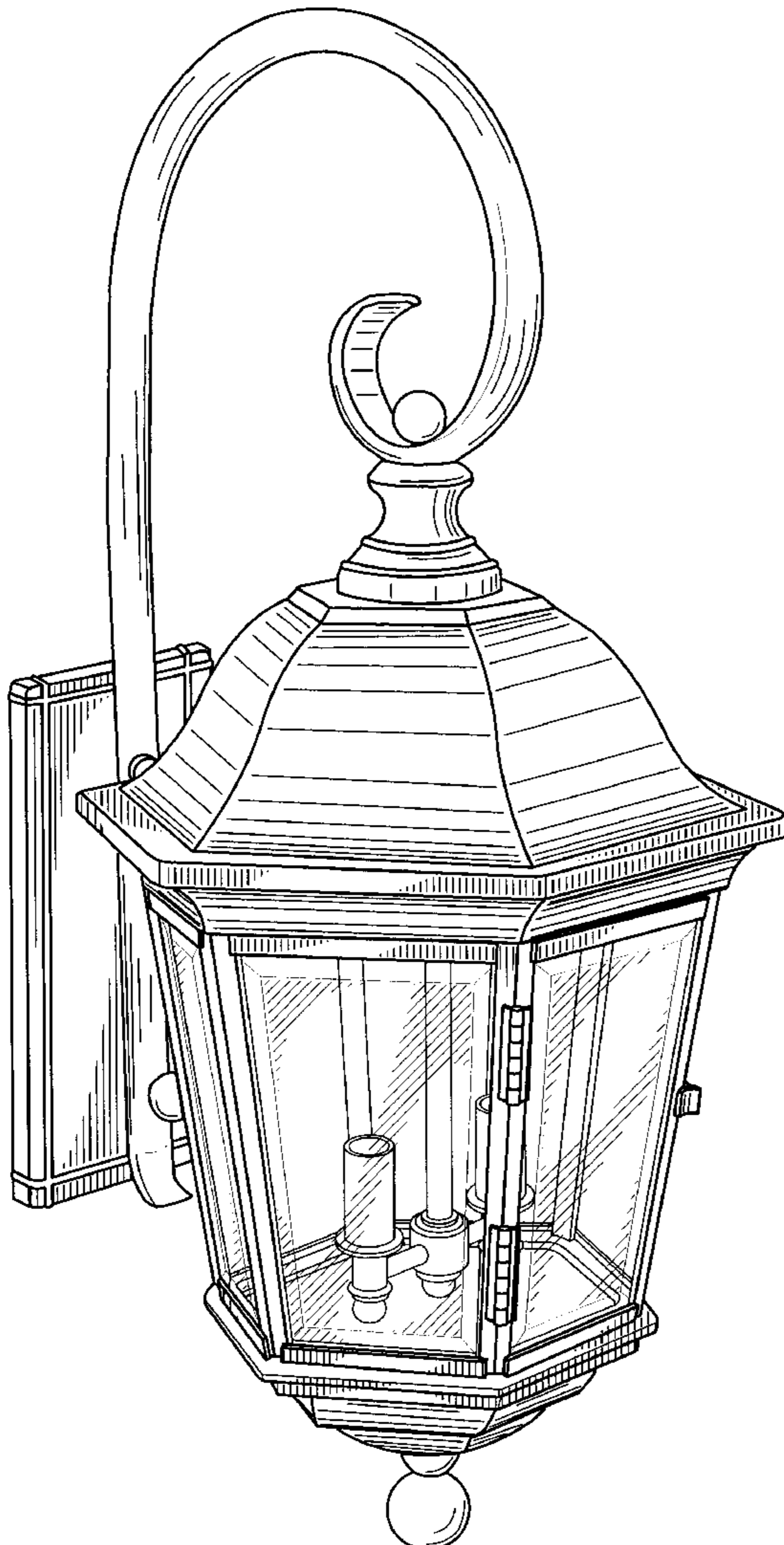
FIG. 4 is a left-side elevational view thereof;

FIG. 5 is a right-side elevational view thereof;

FIG. 6 is a top plan view thereof; and,

FIG. 7 is a bottom plan view thereof.

1 Claim, 4 Drawing Sheets



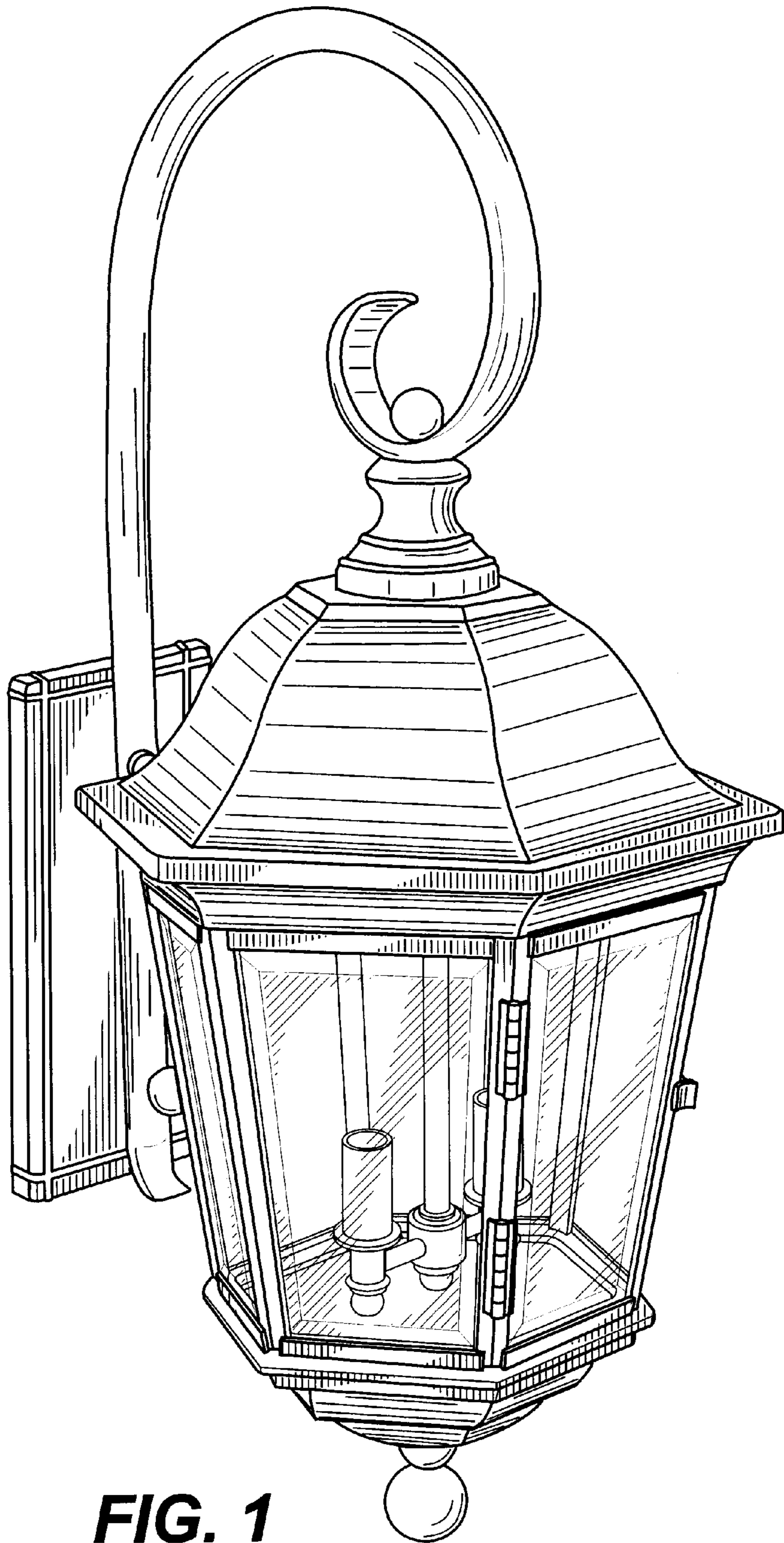


FIG. 1

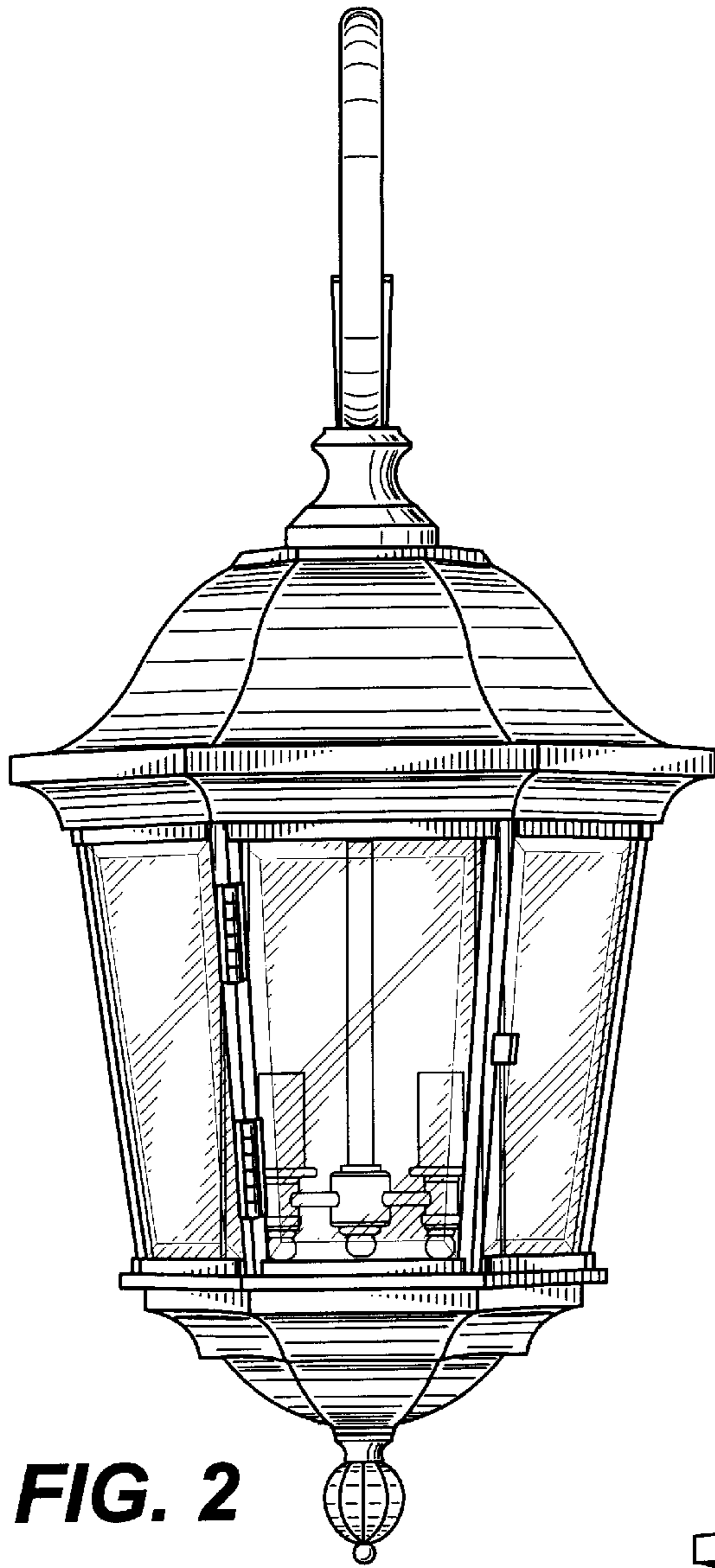


FIG. 2

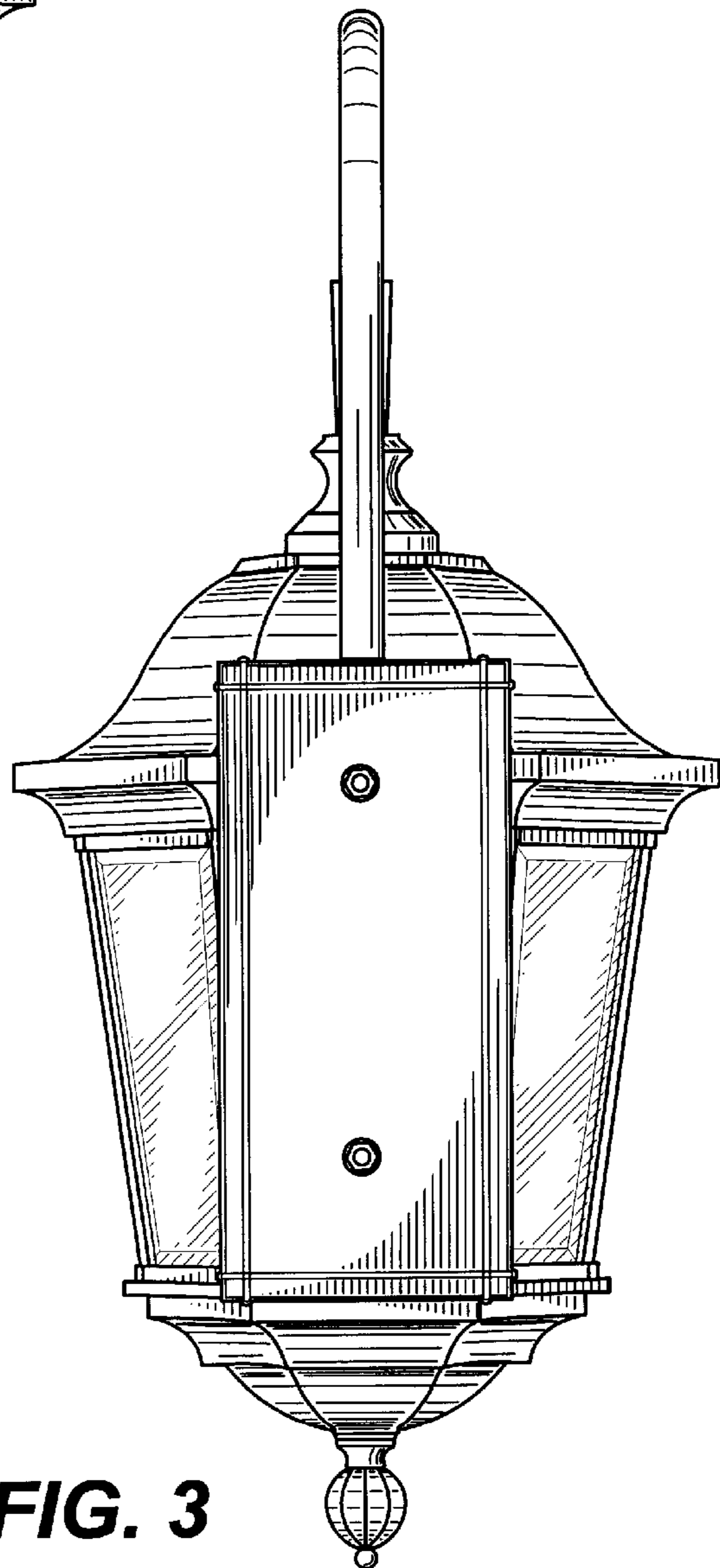


FIG. 3

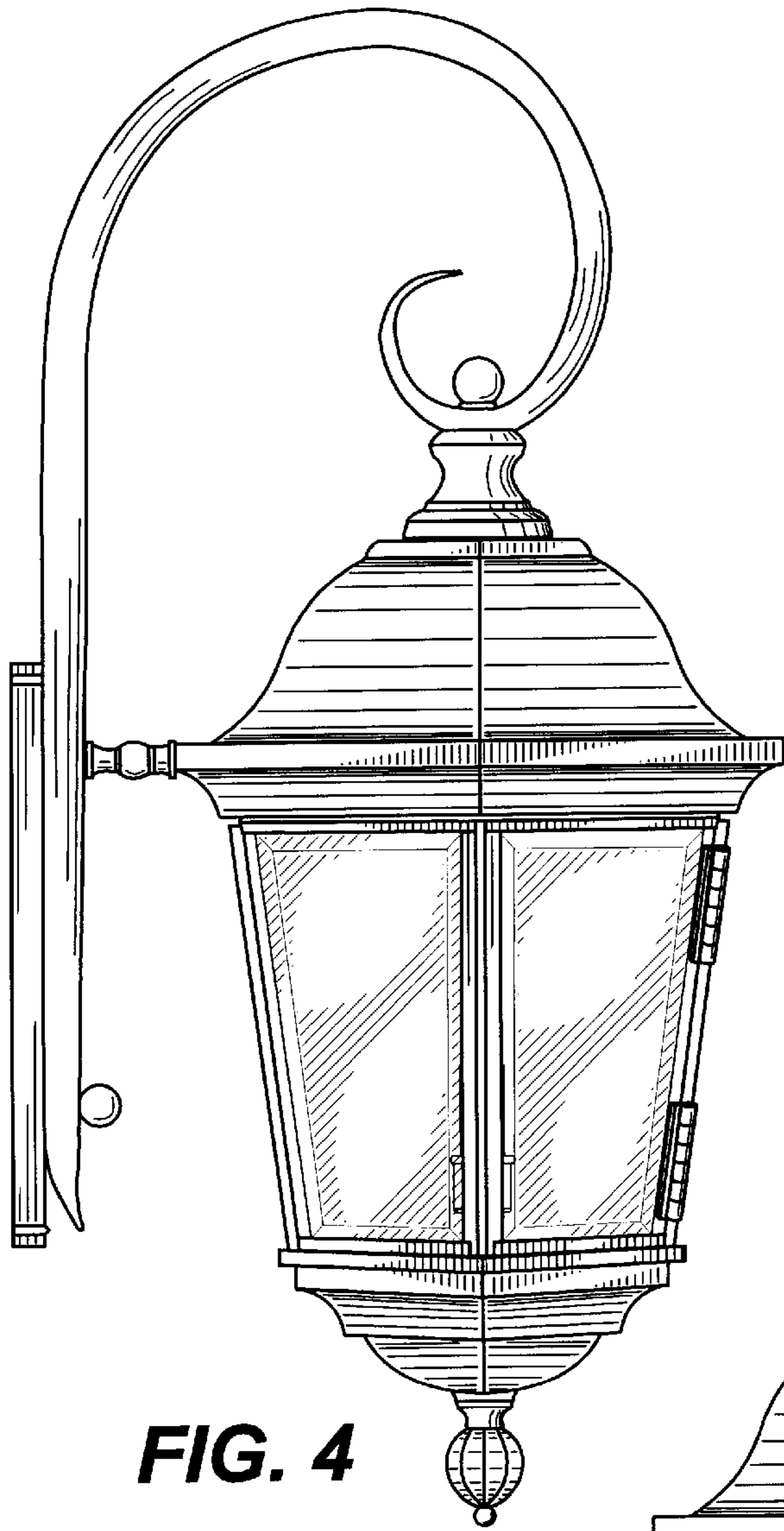


FIG. 4

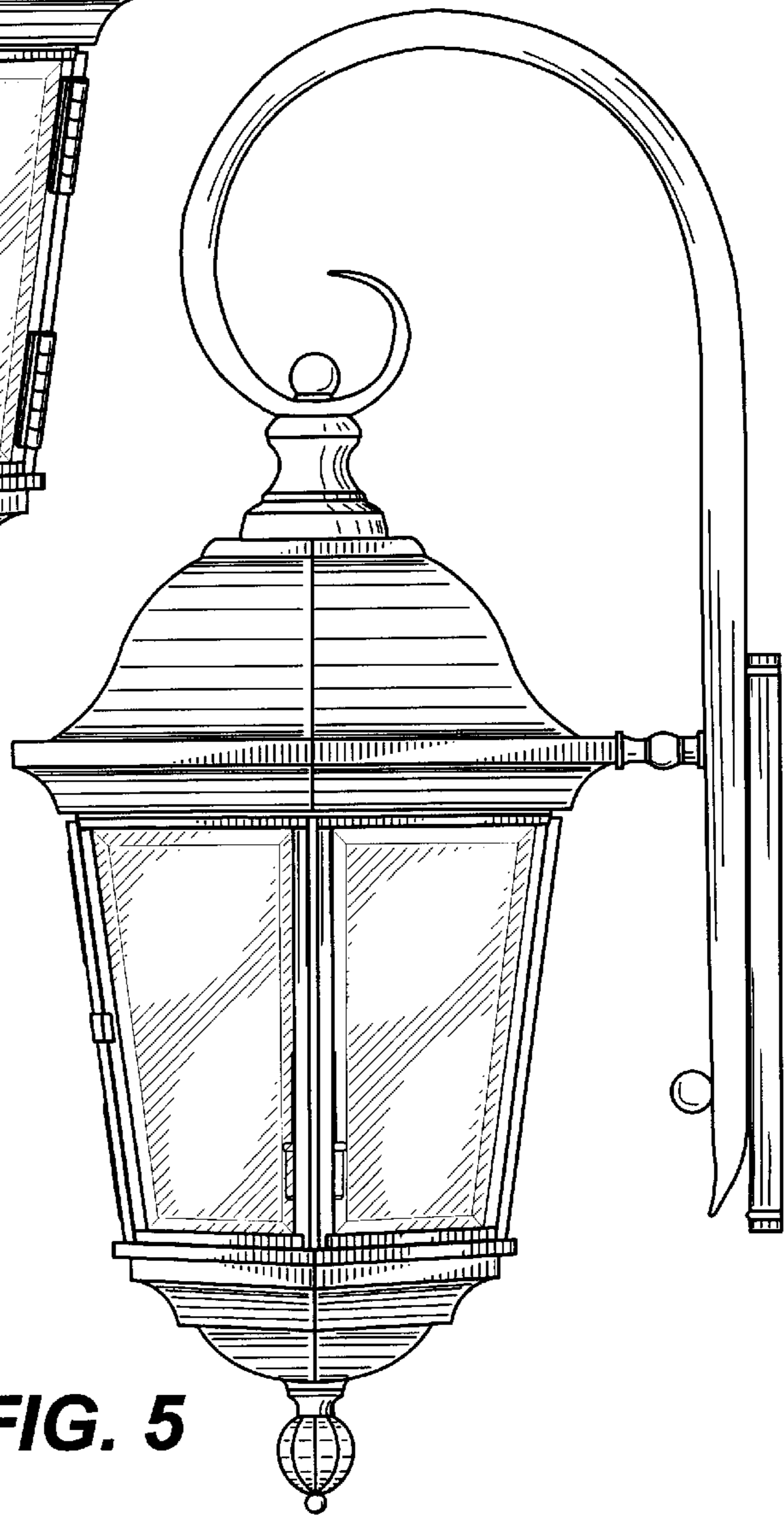


FIG. 5

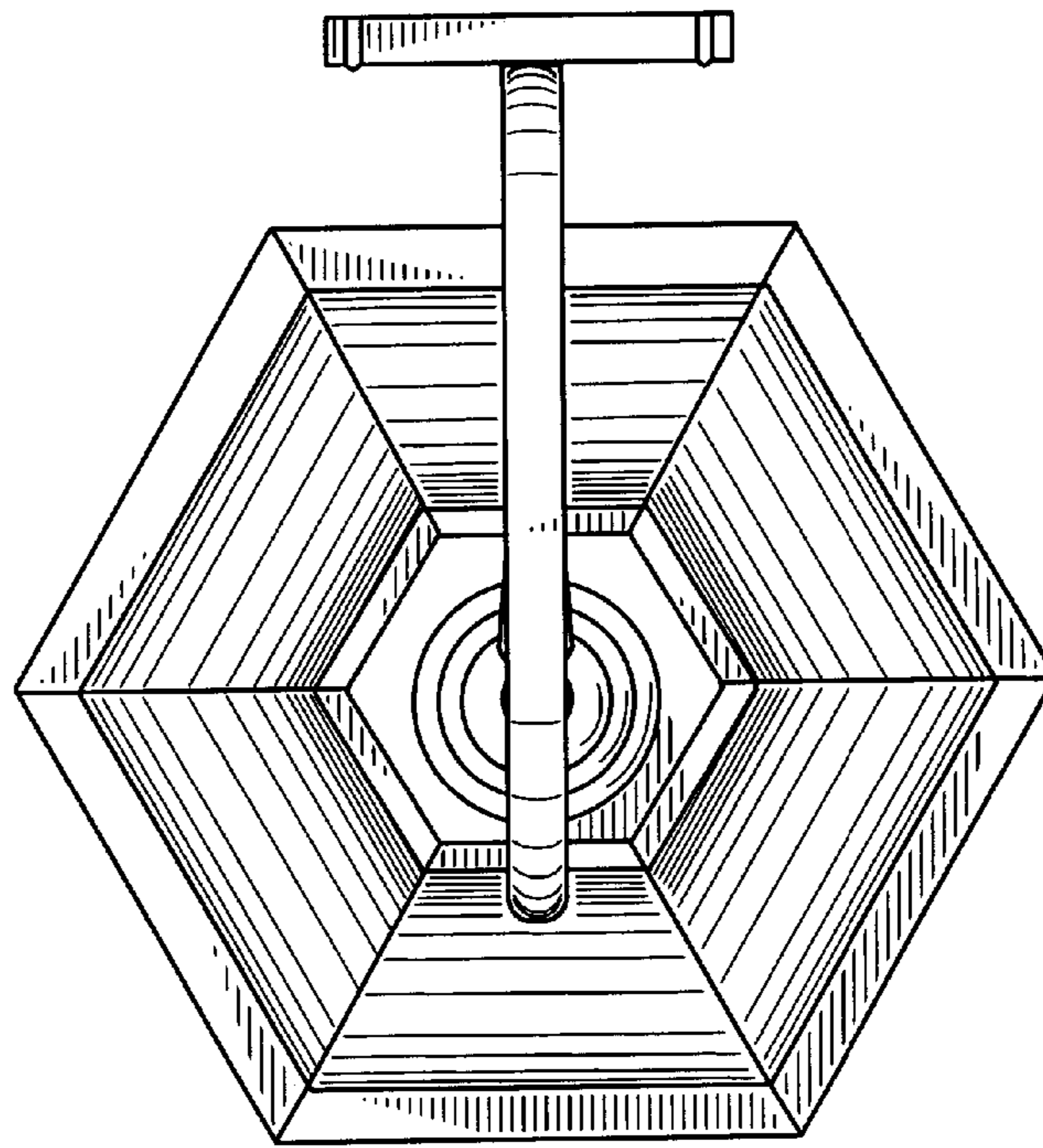


FIG. 6

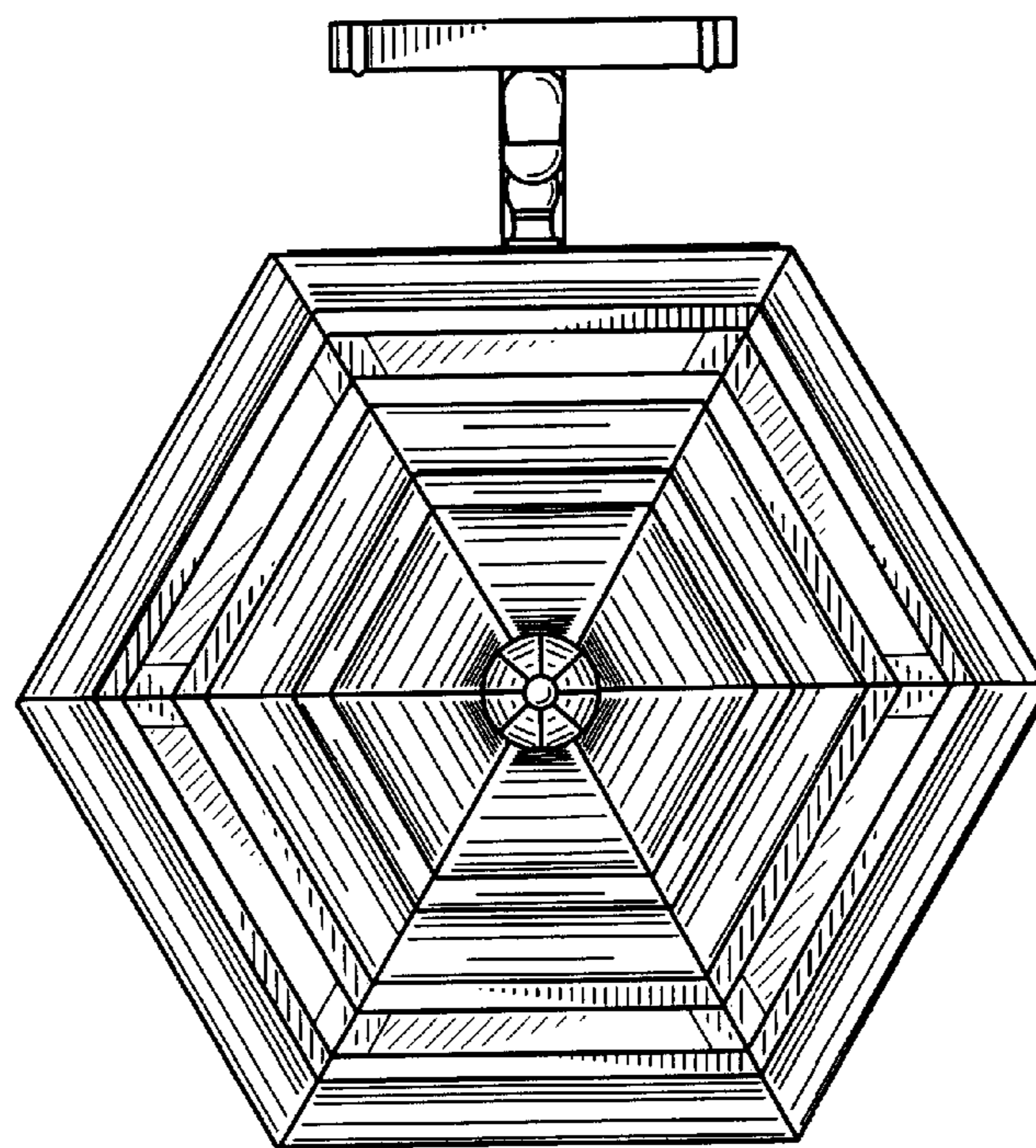


FIG. 7