



US00D439358S

(12) **United States Design Patent**
Lin

(10) **Patent No.:** **US D439,358 S**

(45) **Date of Patent:** **** Mar. 20, 2001**

(54) **DESK LAMP**

(76) **Inventor:** **Jack Lin**, 3F, No. 11, Lane 377, Lung Chiang Rd., Taipei (TW)

(**) **Term:** **14 Years**

(21) **Appl. No.:** **29/127,106**

(22) **Filed:** **Jul. 29, 2000**

(51) **LOC (7) Cl.** **26-05**

(52) **U.S. Cl.** **D26/65**

(58) **Field of Search** D26/61-66; 362/418, 362/419, 427, 428, 269, 271, 272, 276, 277, 278, 279

(56) **References Cited**
PUBLICATIONS

Taiwan Lighting, 1997, p. 96, adjustable lamp, # H-600.*
Taiwan Lighting 1997, p. 135, adjustable lamp, # EL-970.*
Hong Kong Enterprise, Oct. 1997, p. 709, desk lamp # VR230D.*

* cited by examiner

Primary Examiner—Susan J. Lucas

(74) *Attorney, Agent, or Firm*—Rosenberg, Klein & Lee

(57) **CLAIM**

The ornamental design for a “desk lamp,” as shown and described.

DESCRIPTION

FIG. 1 is the perspective view of a “desk lamp” showing my new design;

FIG. 2 is the front view thereof;

FIG. 3 is the rear view thereof;

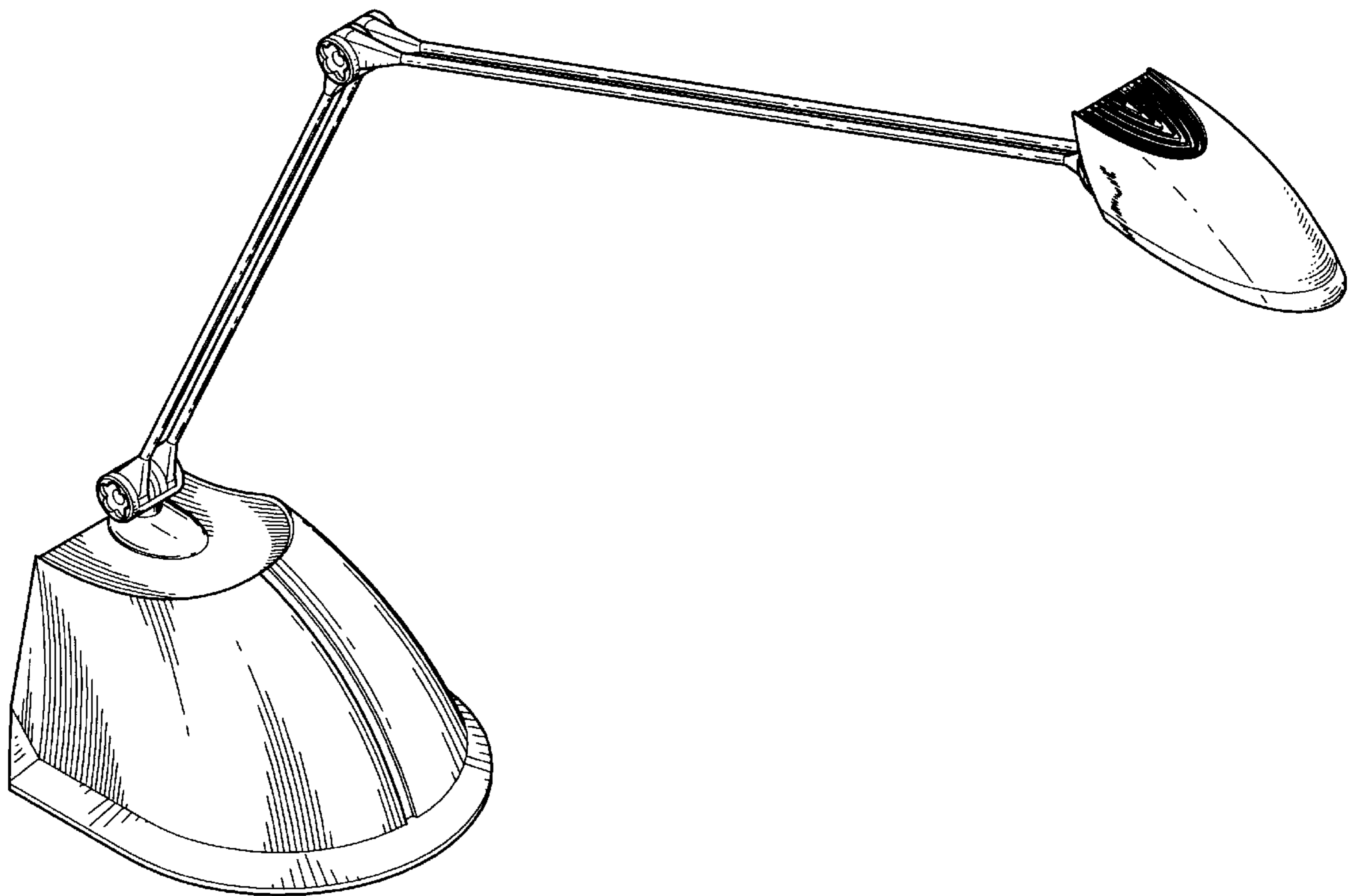
FIG. 4 is the left side view thereof;

FIG. 5 is the right side view thereof;

FIG. 6 is the top view thereof; and,

FIG. 7 is the bottom view thereof.

1 Claim, 5 Drawing Sheets



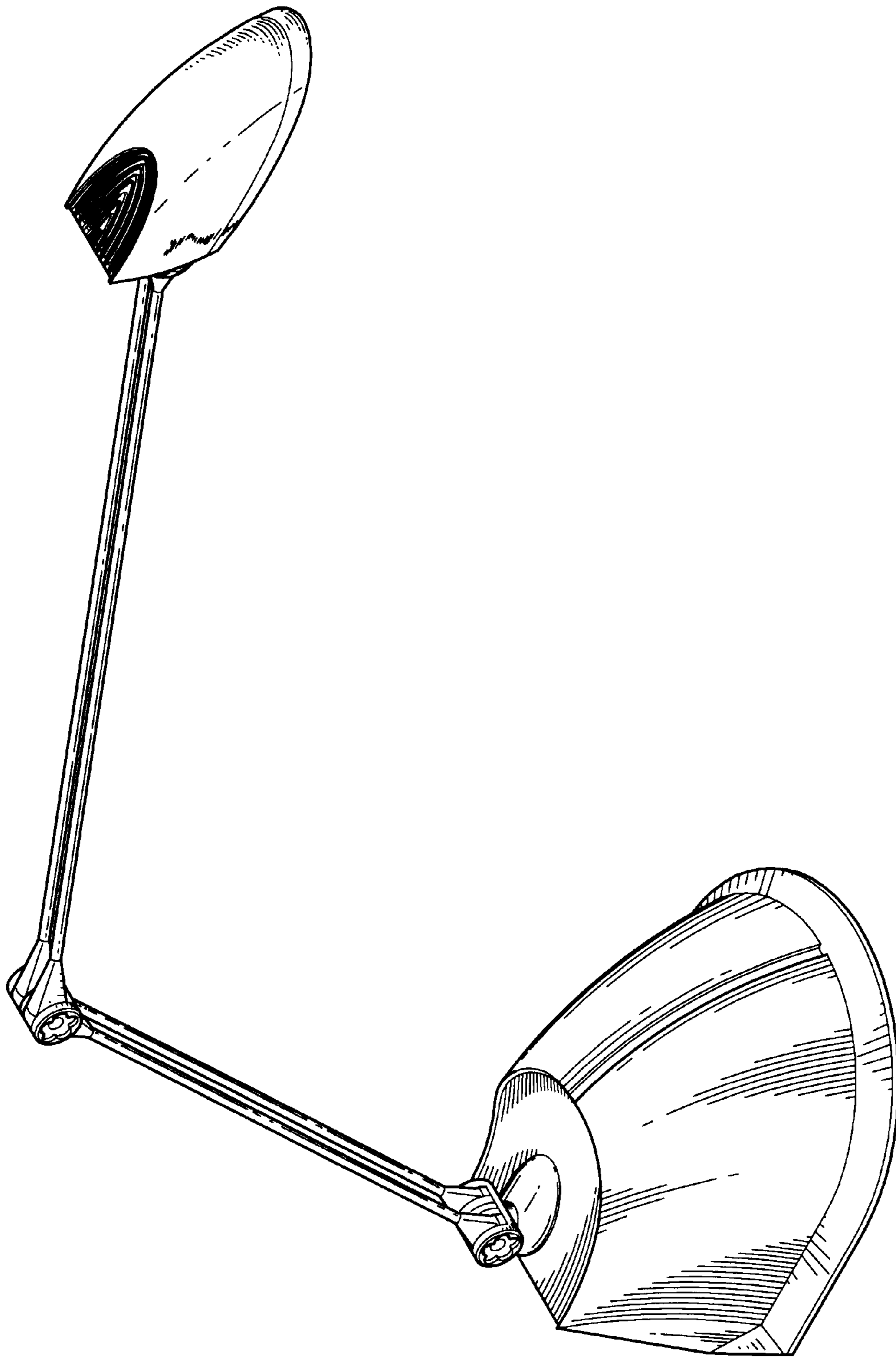


FIG. 1

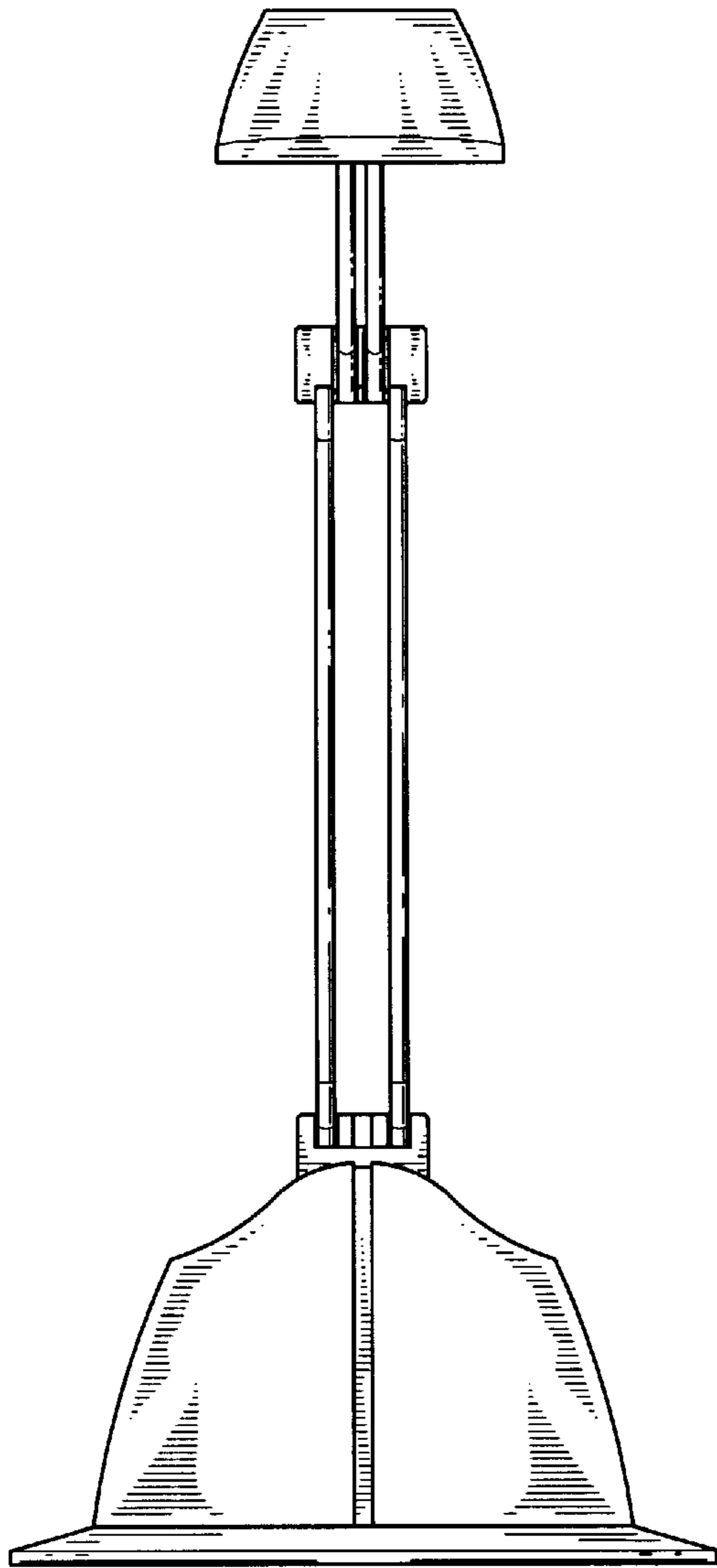


FIG. 2

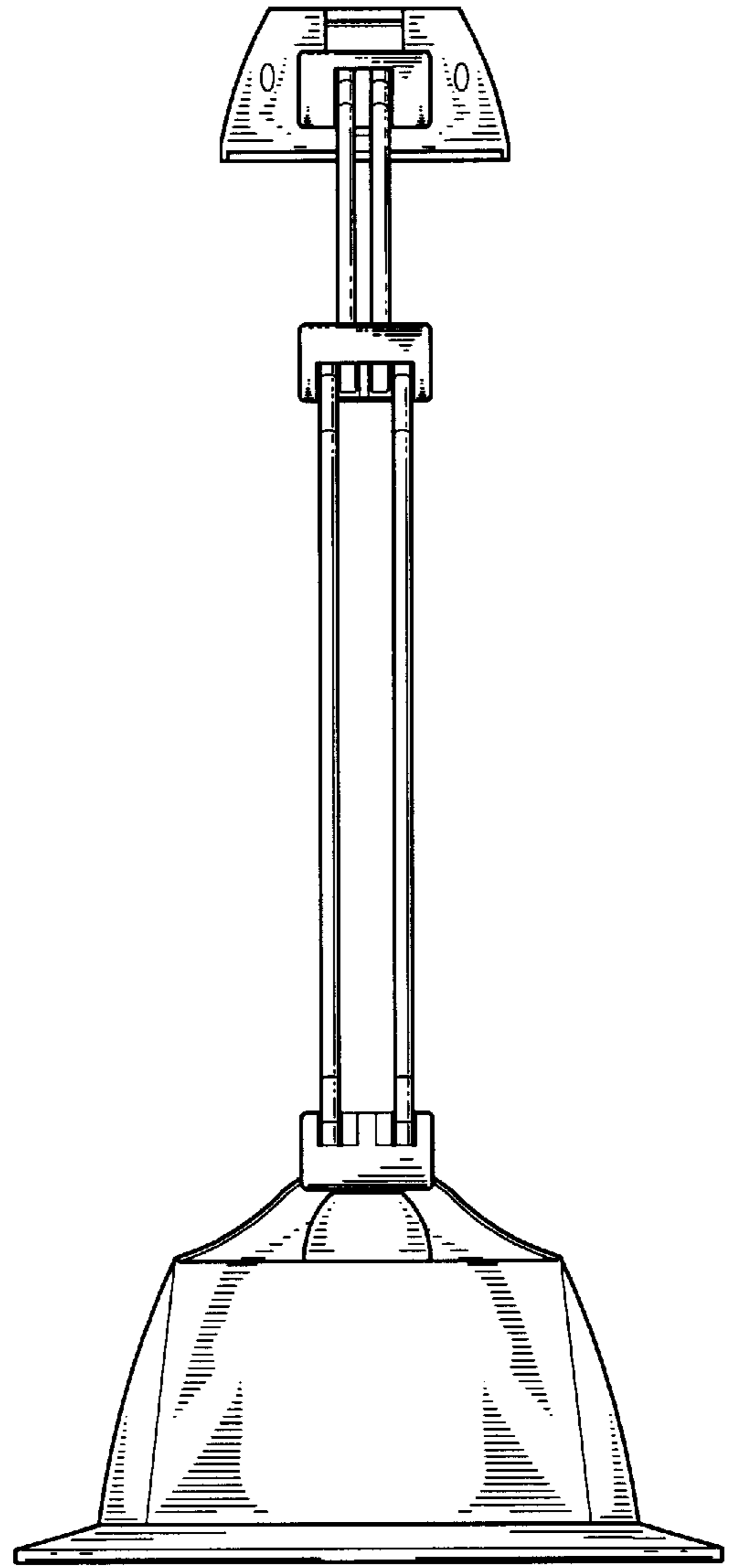


FIG. 3

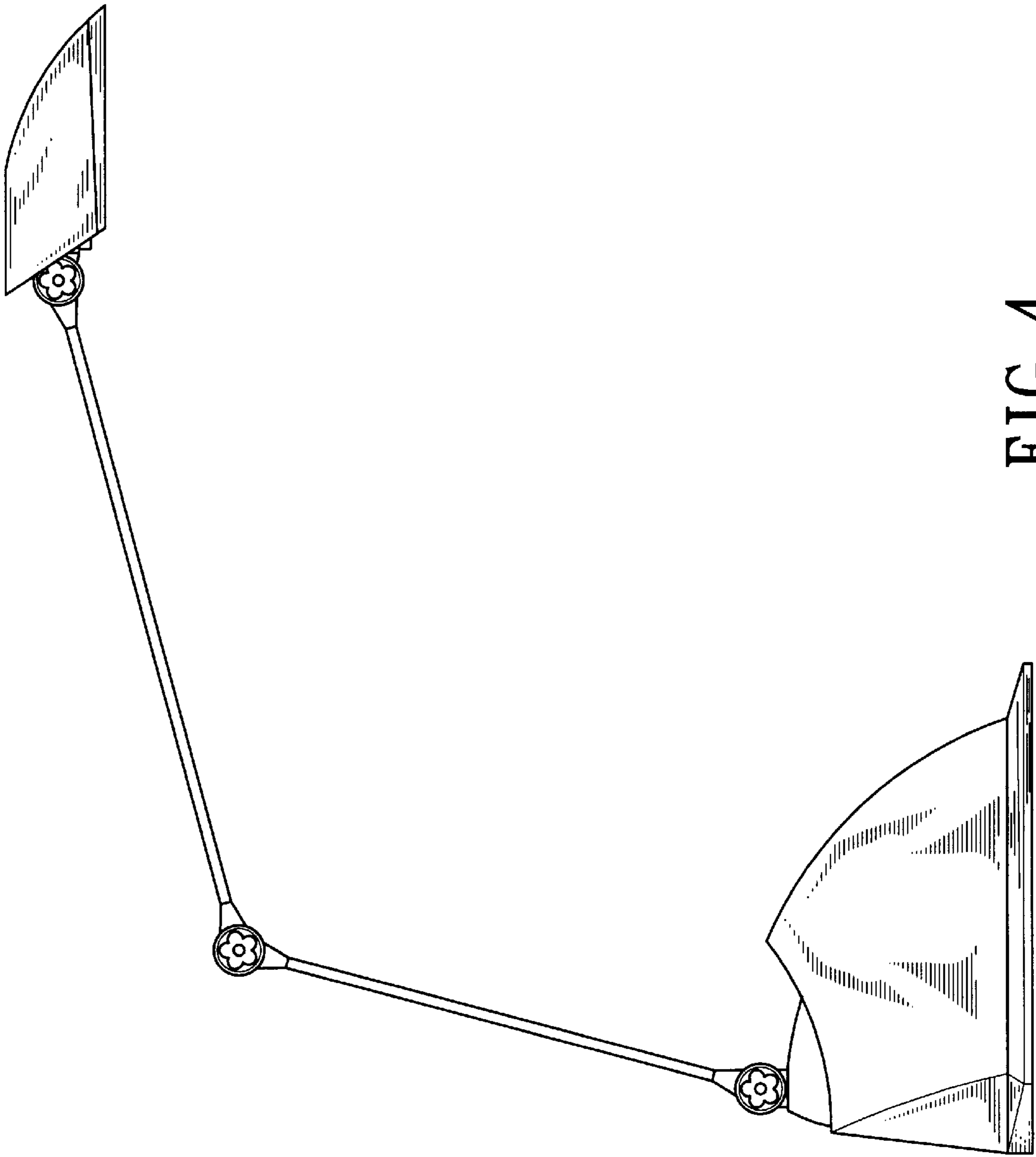


FIG. 4

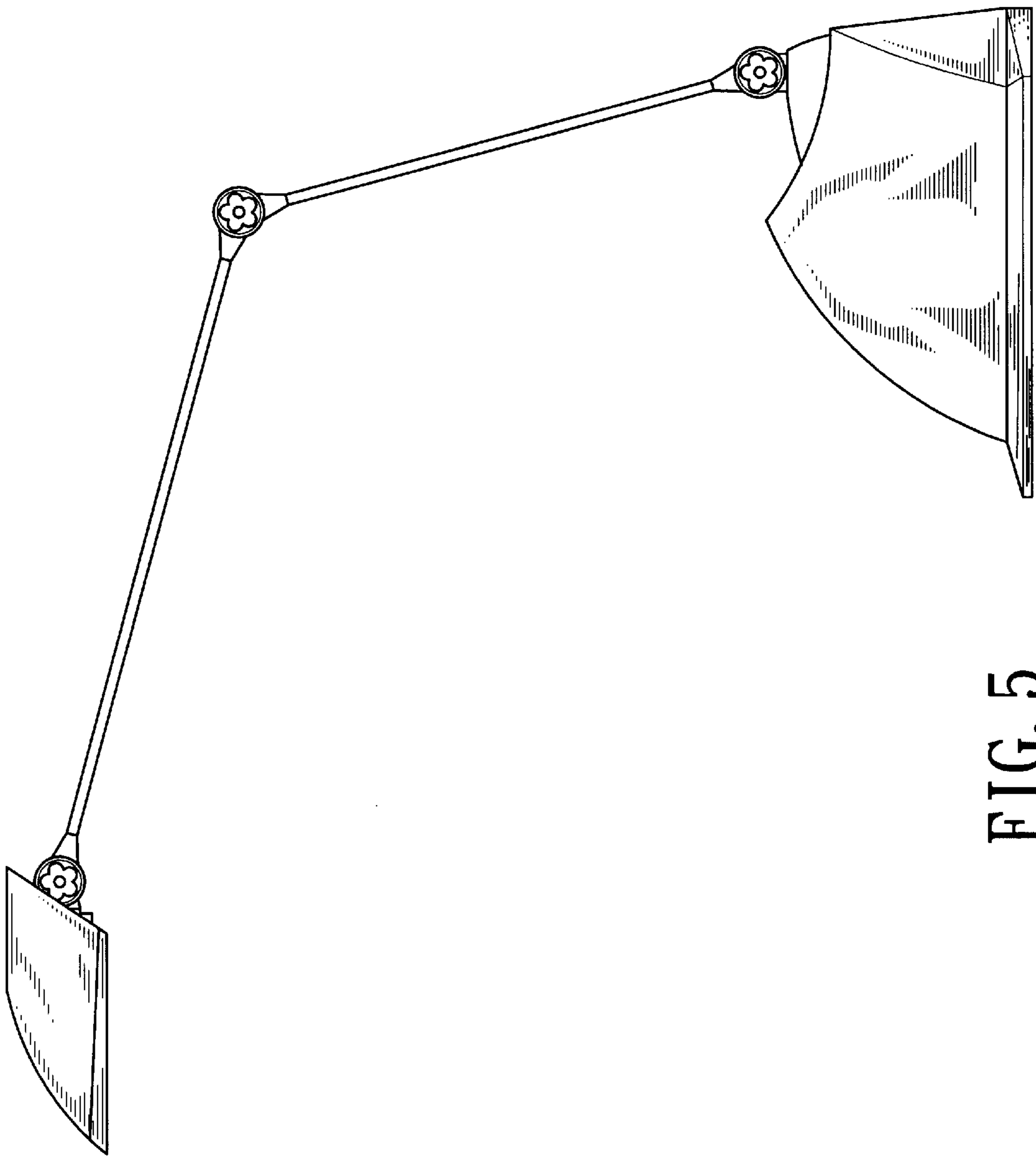


FIG. 5

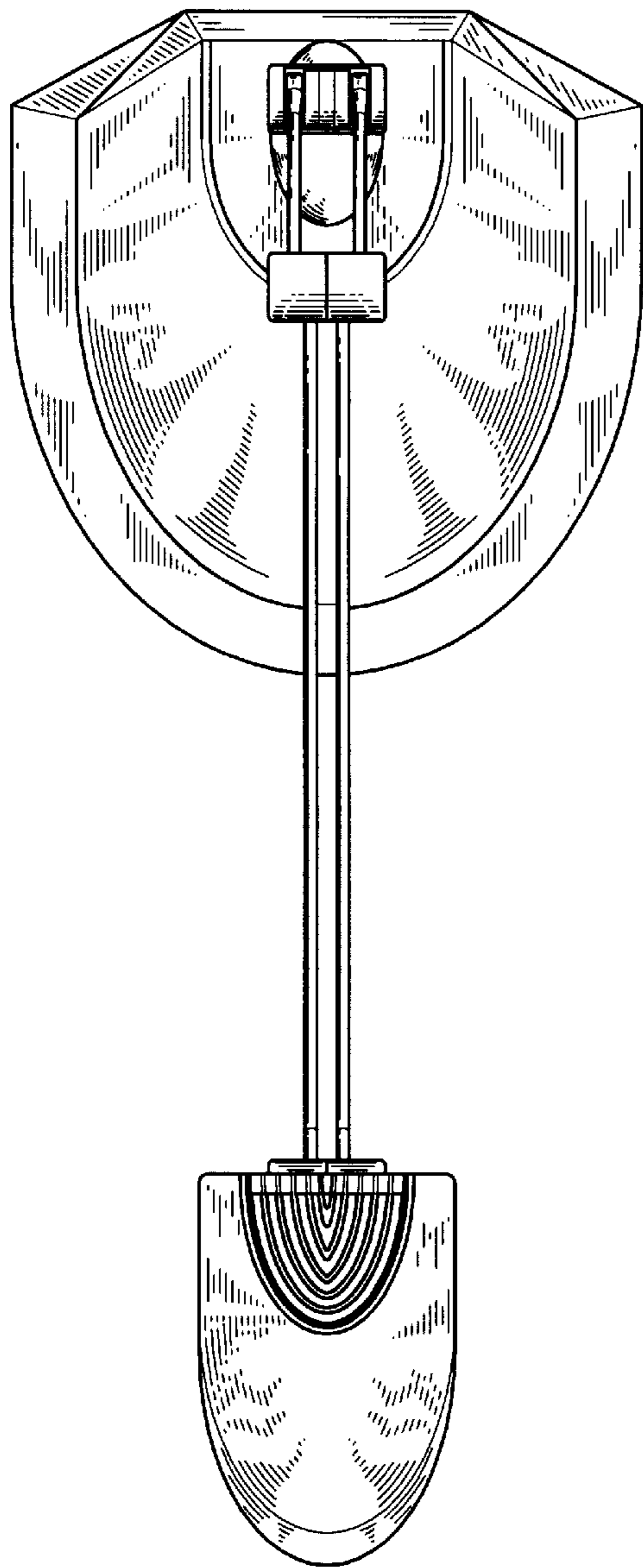


FIG. 6

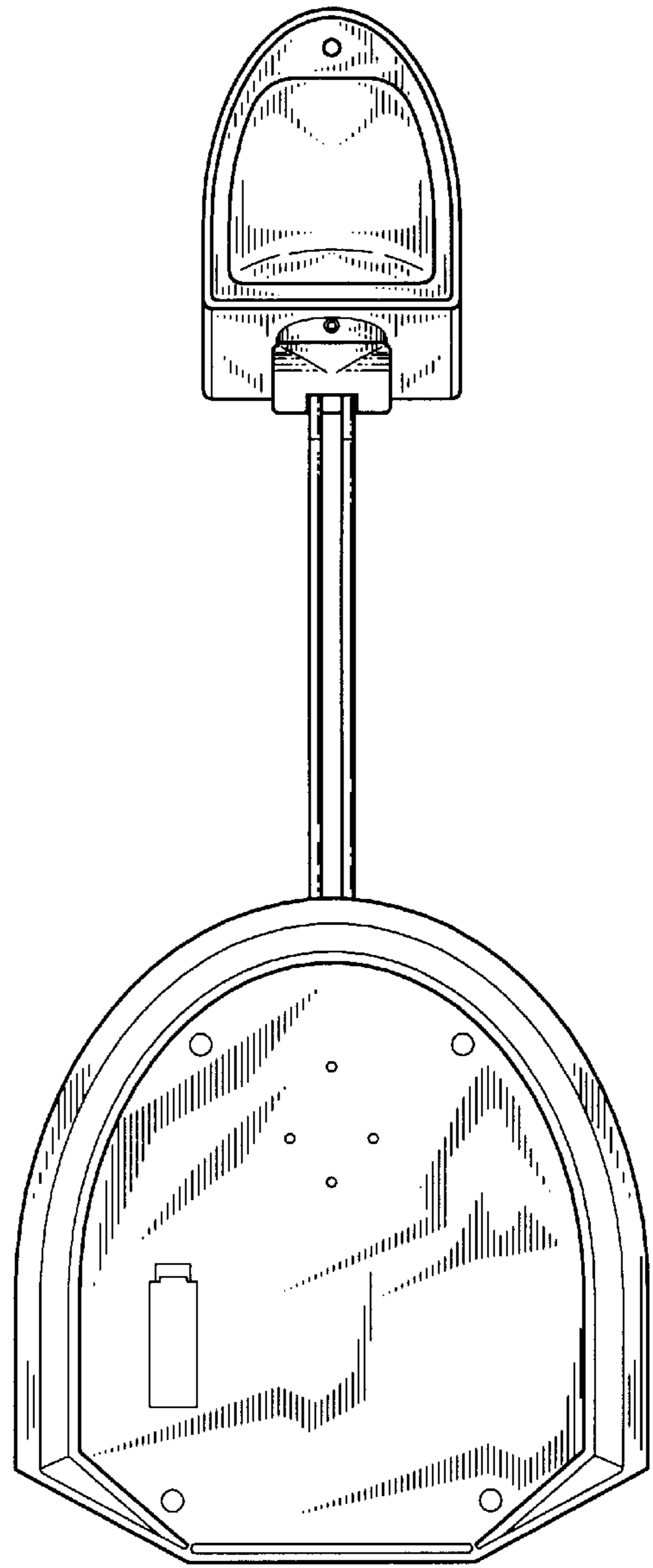


FIG. 7