



US00D439357S

(12) **United States Design Patent**
Huang

(10) **Patent No.:** **US D439,357 S**

(45) **Date of Patent:** **** Mar. 20, 2001**

(54) **SUPPORT FRAME OF A TABLE LAMP**

(75) Inventor: **Huo-Tu Huang**, Taipei Hsien (TW)

(73) Assignee: **Huangslite Industrial Co., Ltd.**, Taipei Hsien (TW)

(**) Term: **14 Years**

(21) Appl. No.: **29/123,742**

(22) Filed: **May 25, 2000**

(51) **LOC (7) Cl.** **26-05**

(52) **U.S. Cl.** **D26/63**

(58) **Field of Search** D26/60-66; 362/269, 362/270, 277, 282, 285, 418, 419, 427

(56) **References Cited**

U.S. PATENT DOCUMENTS

- D. 398,411 * 9/1998 Yang D26/65
- D. 405,903 * 2/1999 Lin D26/64
- D. 417,924 * 12/1999 Chen D26/65

OTHER PUBLICATIONS

Taiwan Lighting, Feb. 1988, p. 95, desk lamp # H-887B.*

* cited by examiner

Primary Examiner—Susan J. Lucas

(74) *Attorney, Agent, or Firm*—Bacon & Thomas, PLLC

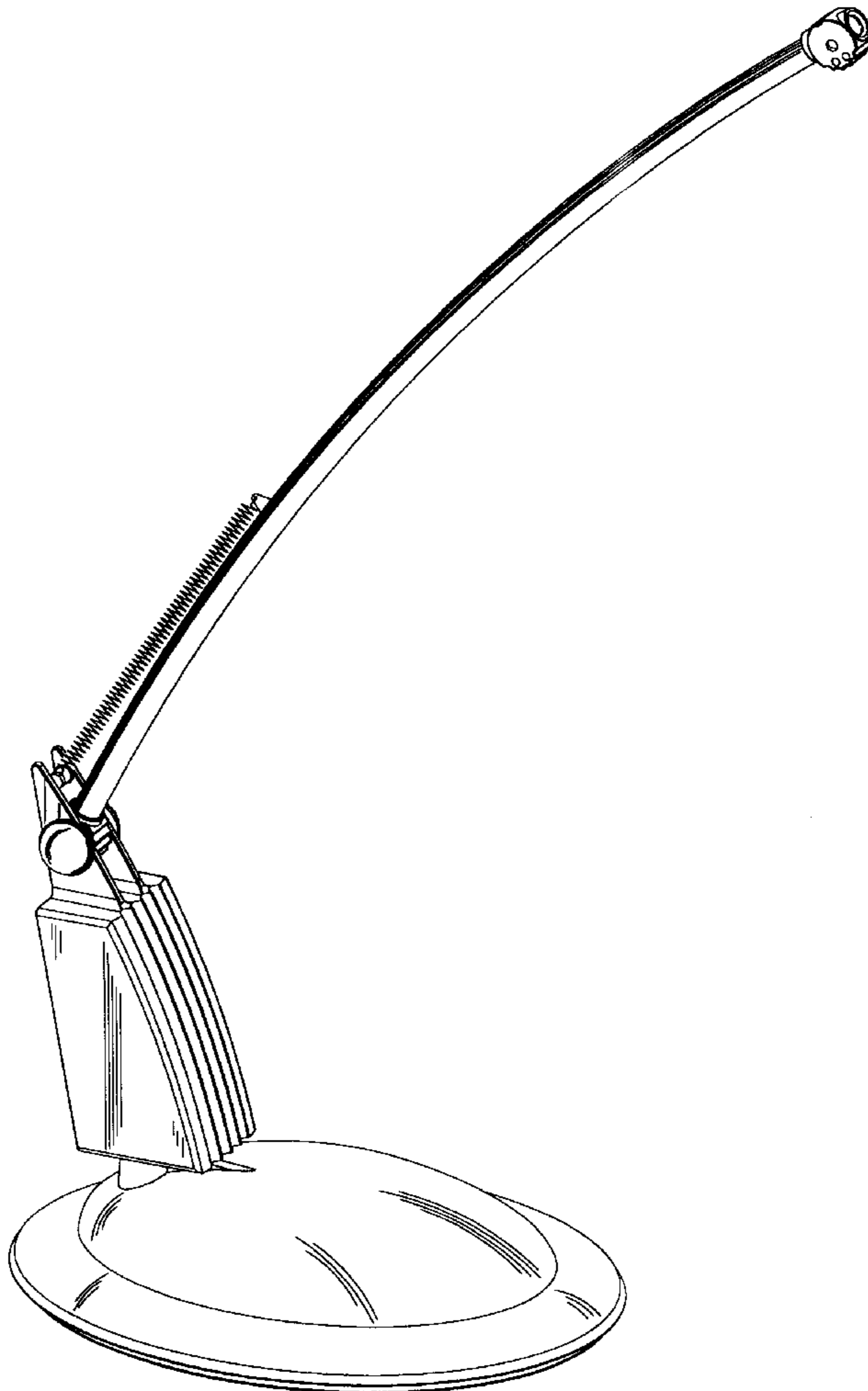
(57) **CLAIM**

The ornamental design for support frame of a table lamp, as shown and described.

DESCRIPTION

FIG. 1. is a top, front right side perspective view thereof;
FIG. 2. is a front elevational view thereof;
FIG. 3. is a rear elevational view thereof;
FIG. 4. is a left elevational view thereof;
FIG. 5. is a right elevational view thereof;
FIG. 6. is a top plan view thereof; and,
FIG. 7. is a bottom plan view thereof.

1 Claim, 7 Drawing Sheets



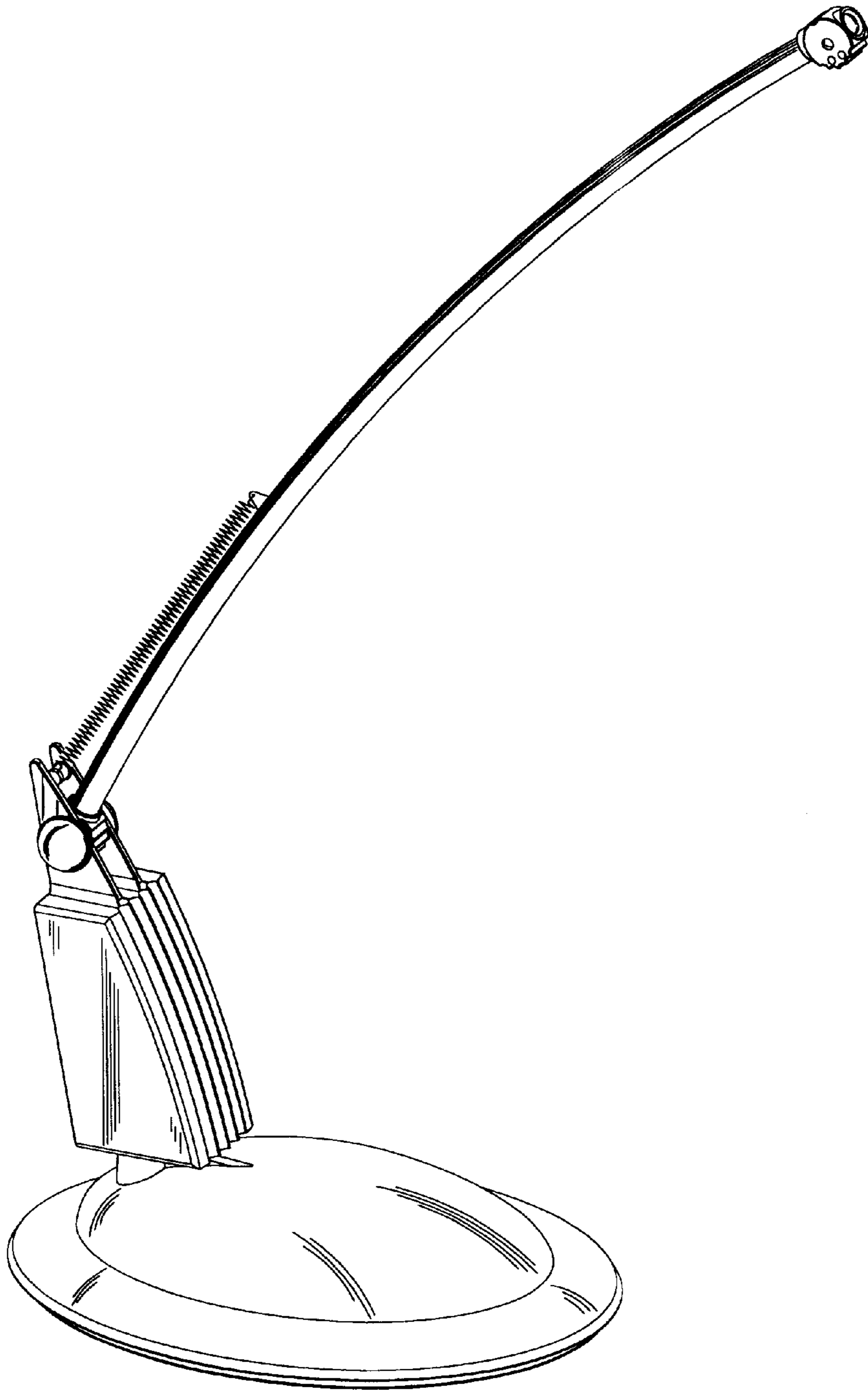


FIG. 1

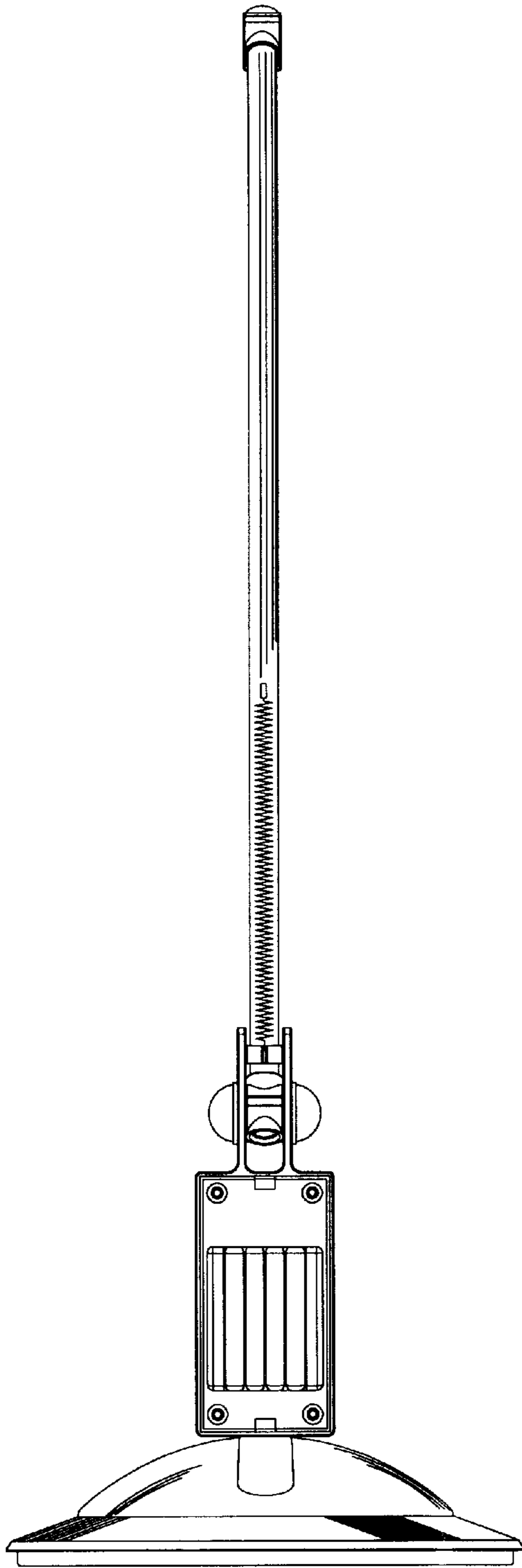


FIG. 2

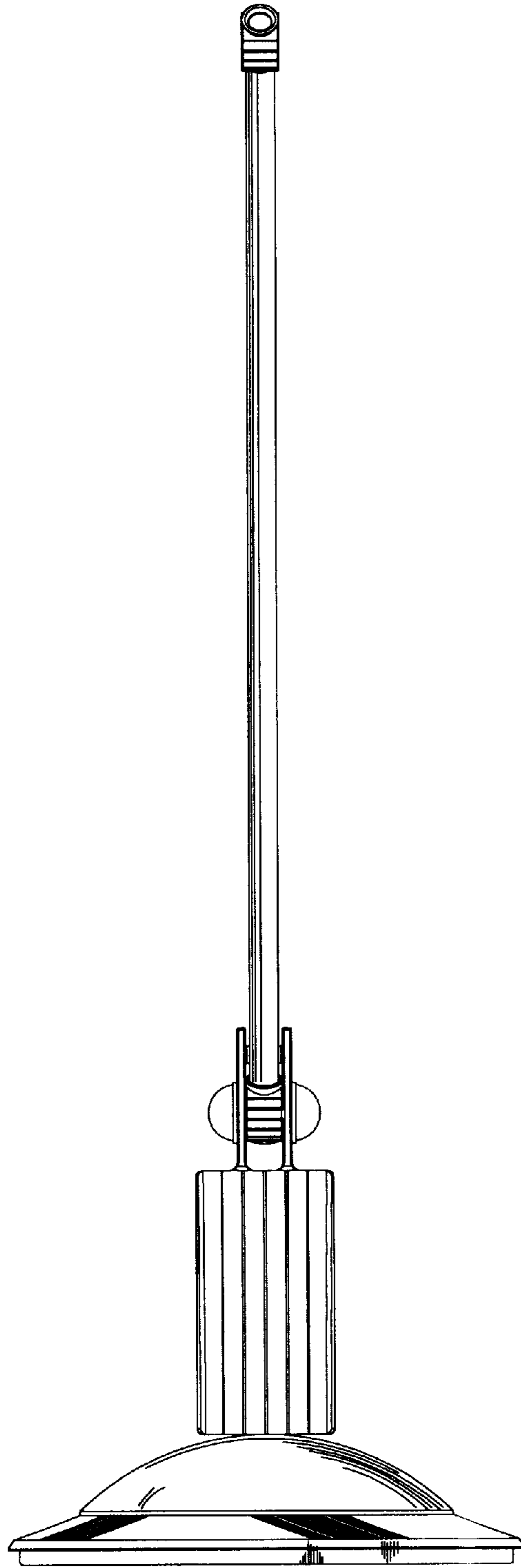


FIG. 3

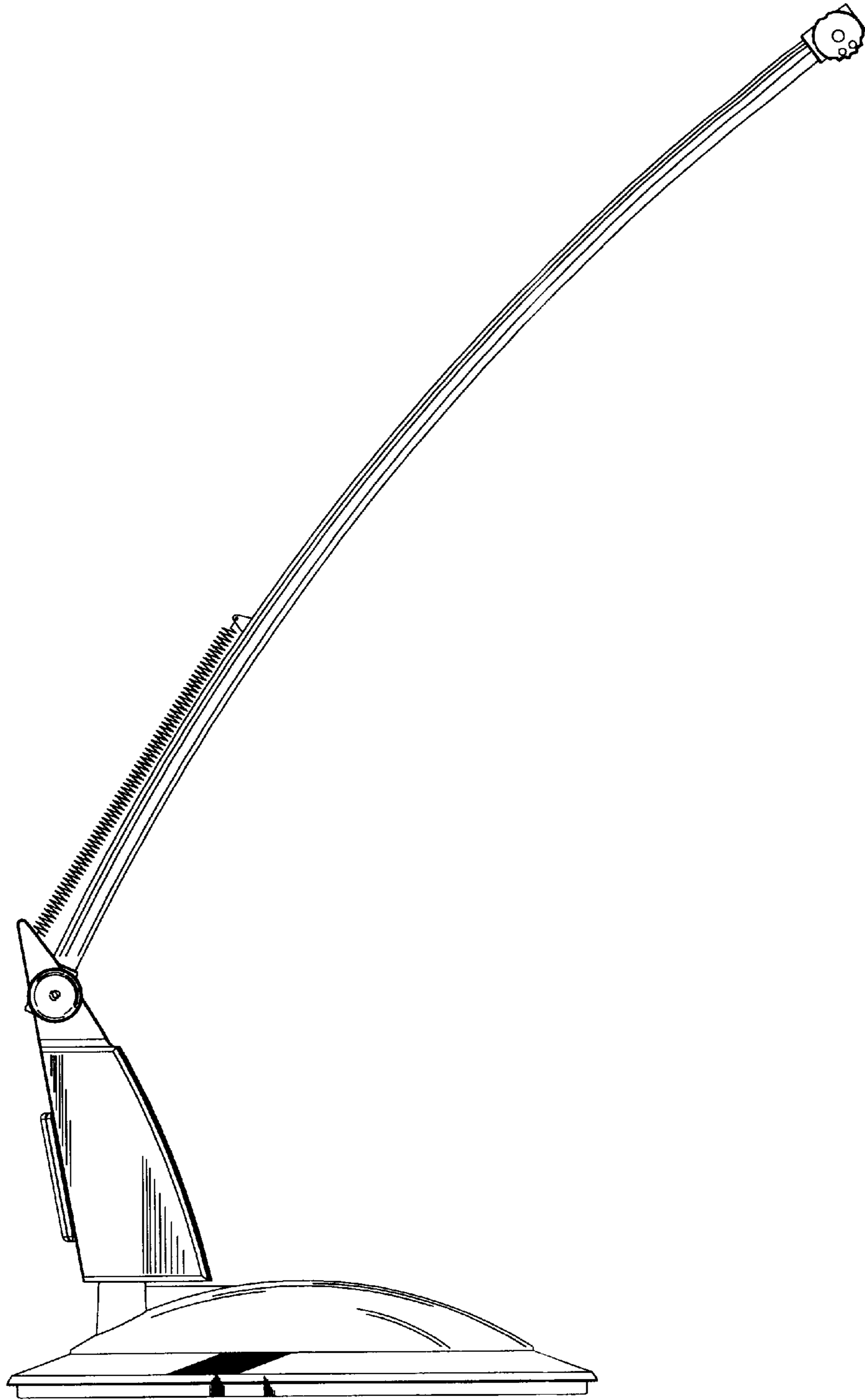


FIG. 4

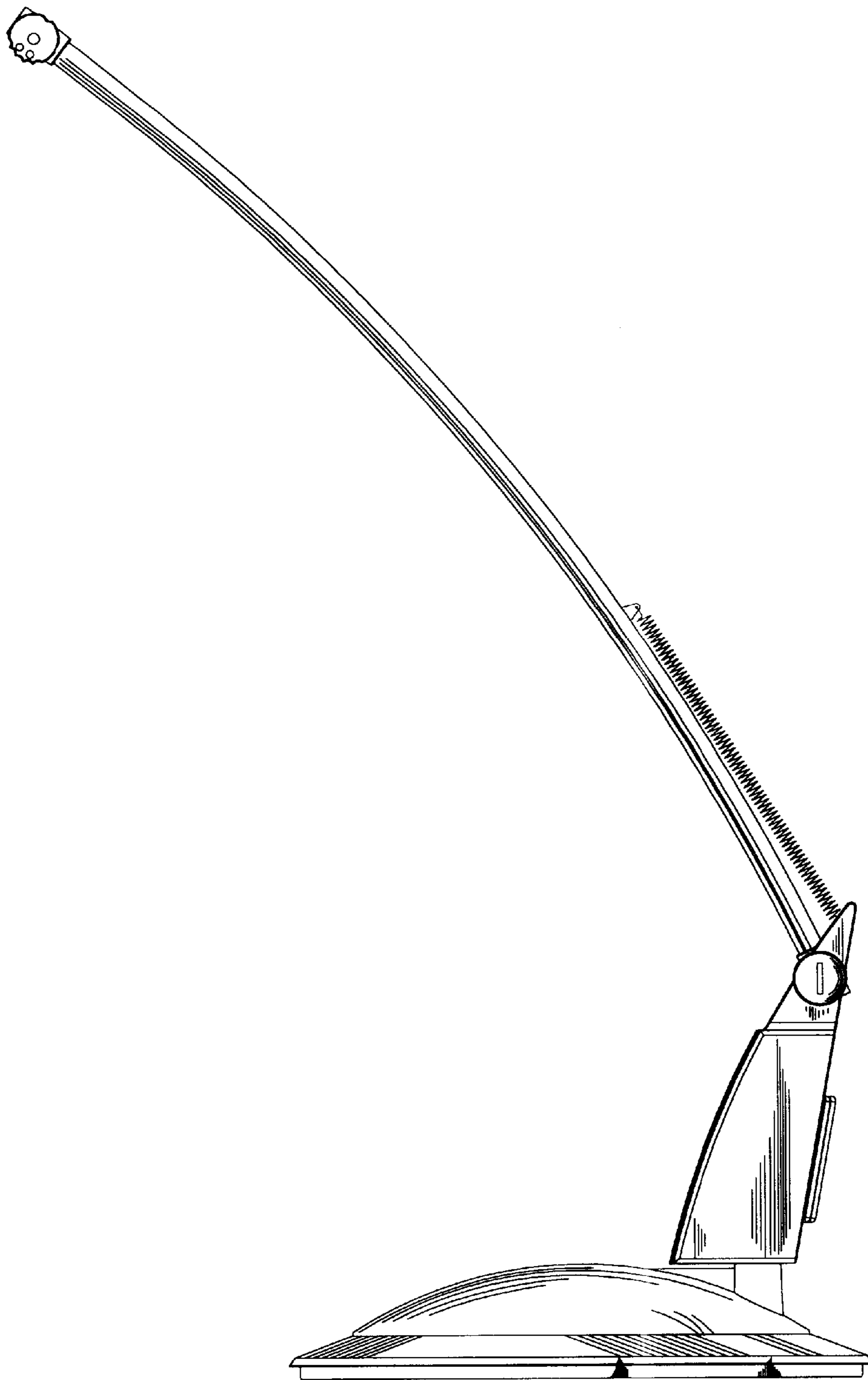


FIG. 5

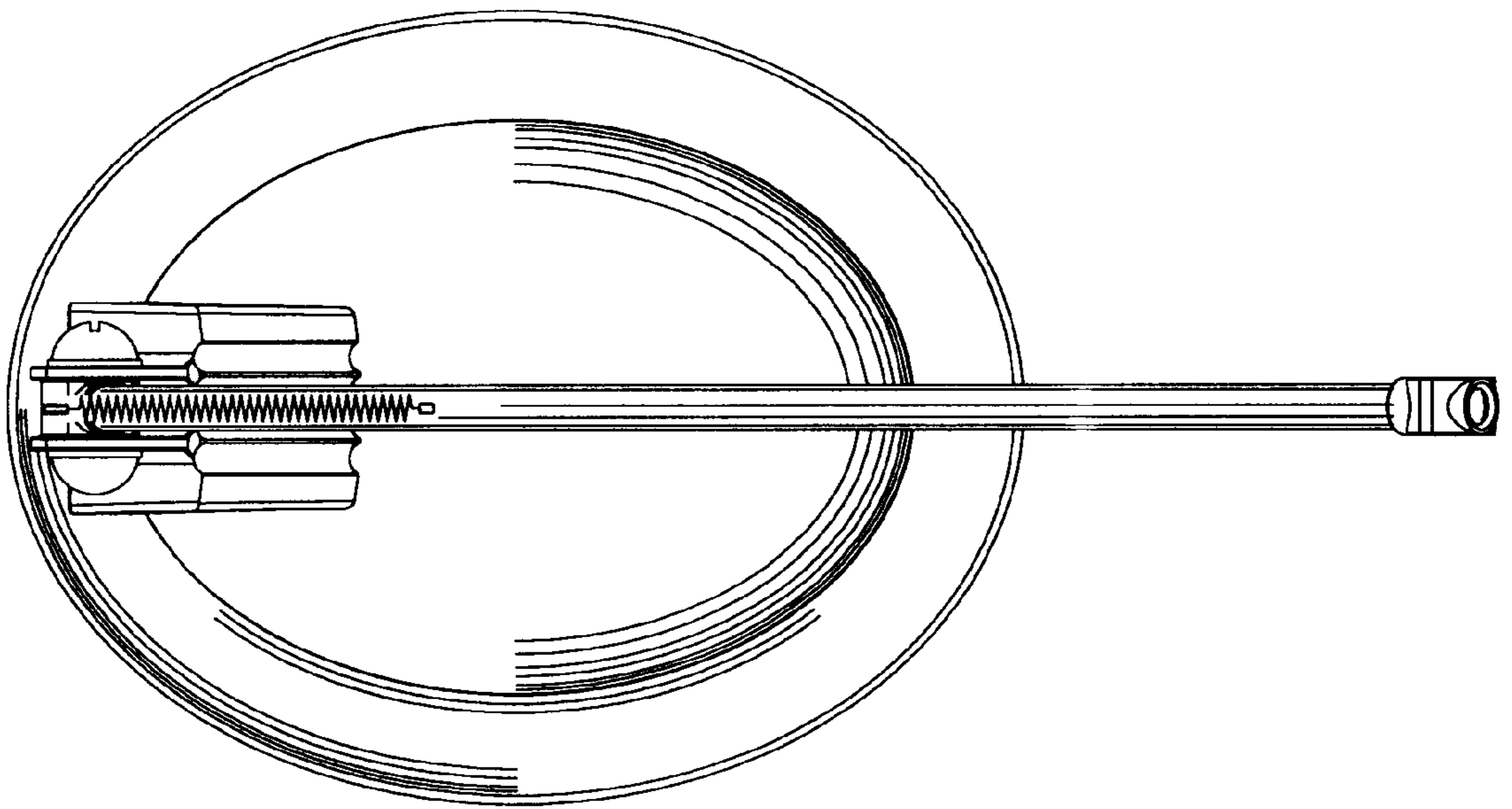


FIG. 6

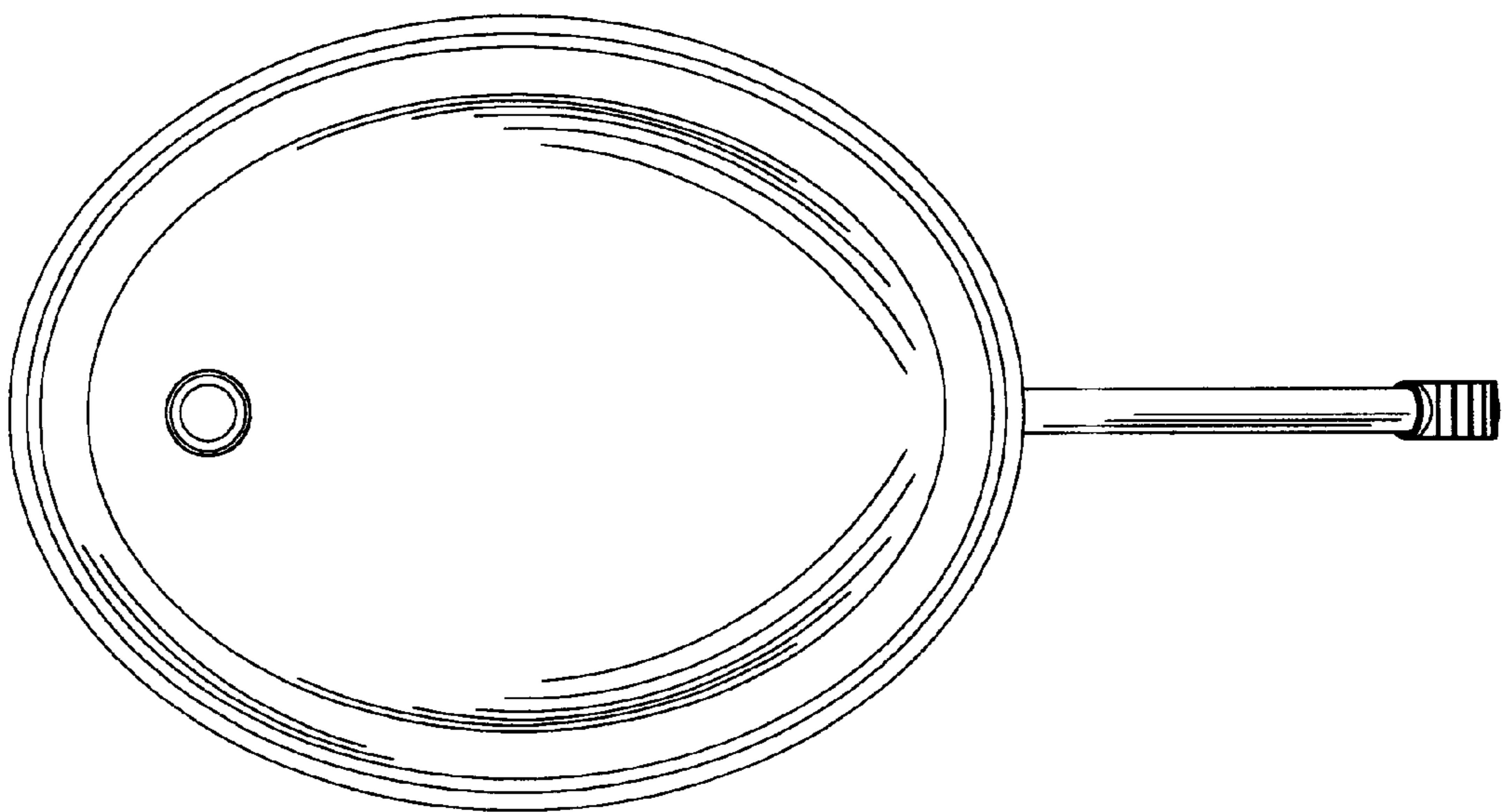


FIG. 7