



US00D439355S

(12) **United States Design Patent**
Ford

(10) **Patent No.:** **US D439,355 S**

(45) **Date of Patent:** **** Mar. 20, 2001**

(54) **WALLWASHER LUMINAIRE**

(75) **Inventor:** **Paul R. Ford**, Orange, CT (US)

(73) **Assignee:** **Sylvan R. Shemitz Designs, Inc.**, West Haven, CT (US)

(**) **Term:** **14 Years**

(21) **Appl. No.:** **29/111,148**

(22) **Filed:** **Sep. 23, 1999**

(51) **LOC (7) Cl.** **26-05**

(52) **U.S. Cl.** **D26/63**

(58) **Field of Search** D26/60-66; 362/267,
362/269, 271, 272, 282, 287, 418, 419,
427

(56) **References Cited**

U.S. PATENT DOCUMENTS

- D. 355,501 * 2/1995 Roos et al. D26/63
- D. 407,836 * 4/1999 Lean D26/63
- D. 411,025 * 6/1999 Rahn D26/63

OTHER PUBLICATIONS

ThorLux Lighting Azmet 3 floodlight brochure, Nov. 1986.*

* cited by examiner

Primary Examiner—Susan J. Lucas

(74) *Attorney, Agent, or Firm*—Fish & Neave; Jeffrey H. Ingerman

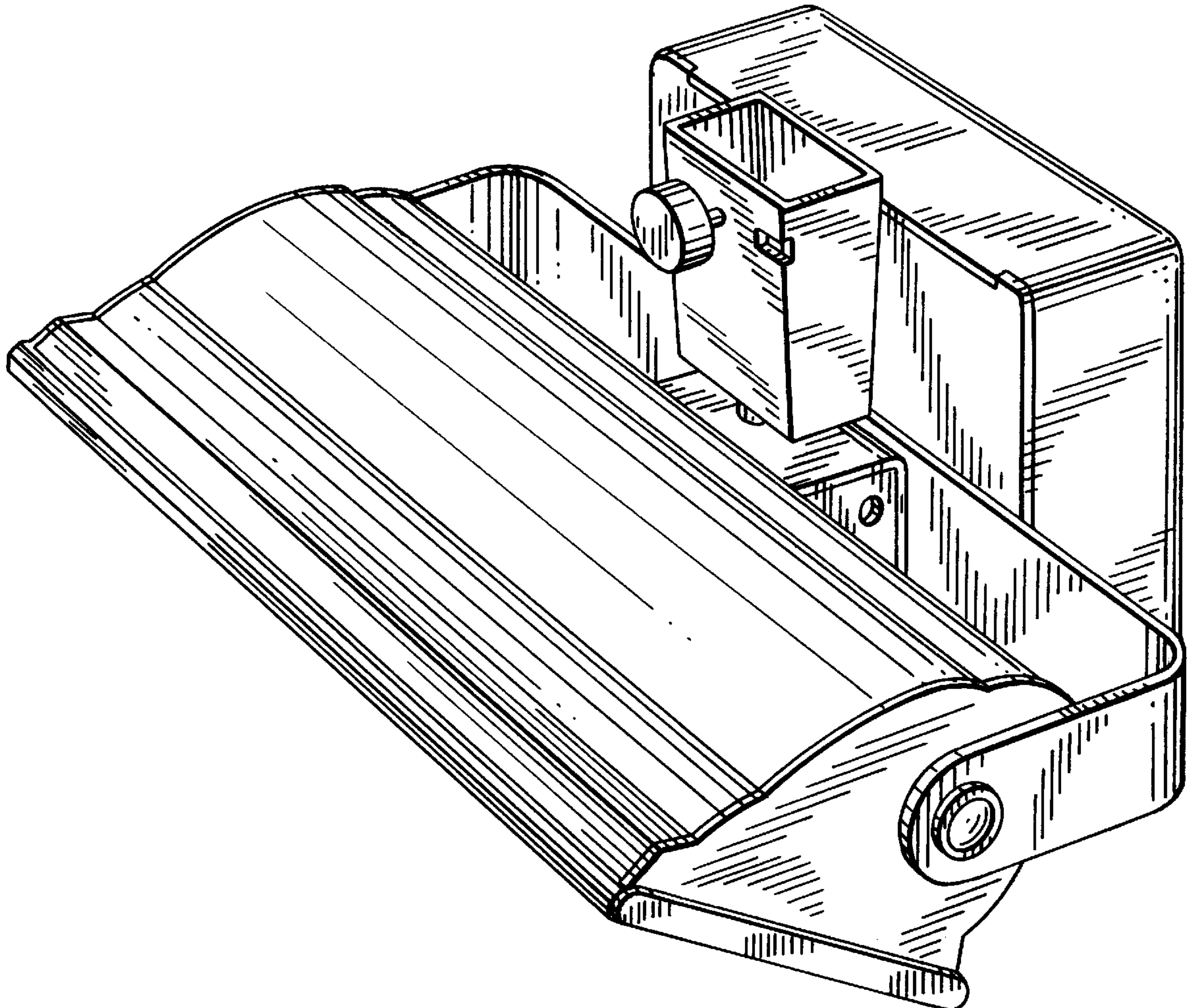
(57) **CLAIM**

The ornamental design for a wallwasher luminaire, as shown and described.

DESCRIPTION

FIG. 1 is a front, right, top, perspective view of a wallwasher luminaire, showing my new design;
 FIG. 2 is a top plan view thereof;
 FIG. 3 is a front elevational view thereof;
 FIG. 4 is a left side elevational view thereof, the right side being a mirror image;
 FIG. 5 is a rear elevational view thereof; and,
 FIG. 6 is a bottom plan view thereof.

1 Claim, 3 Drawing Sheets



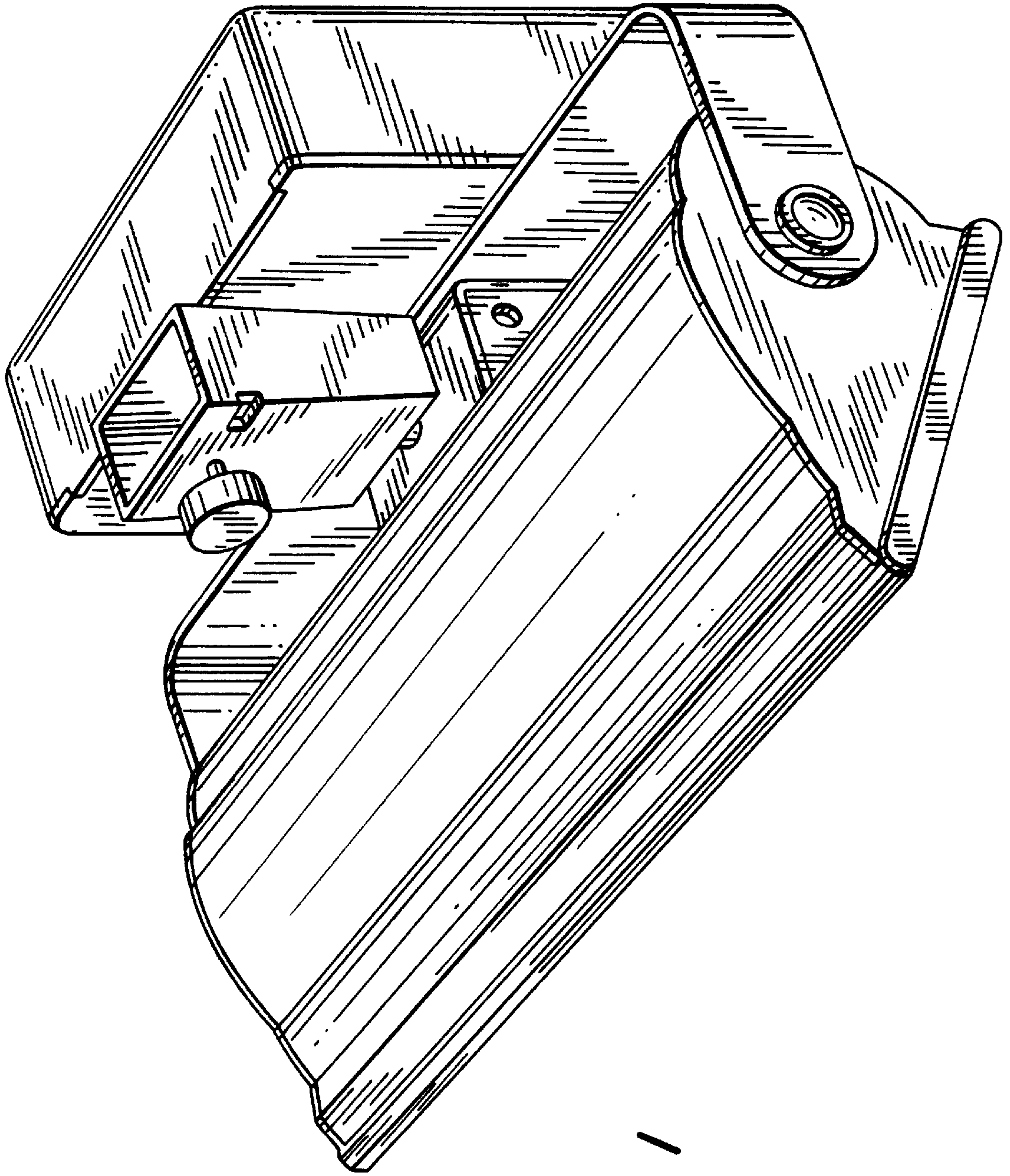


FIG. 1

FIG. 2

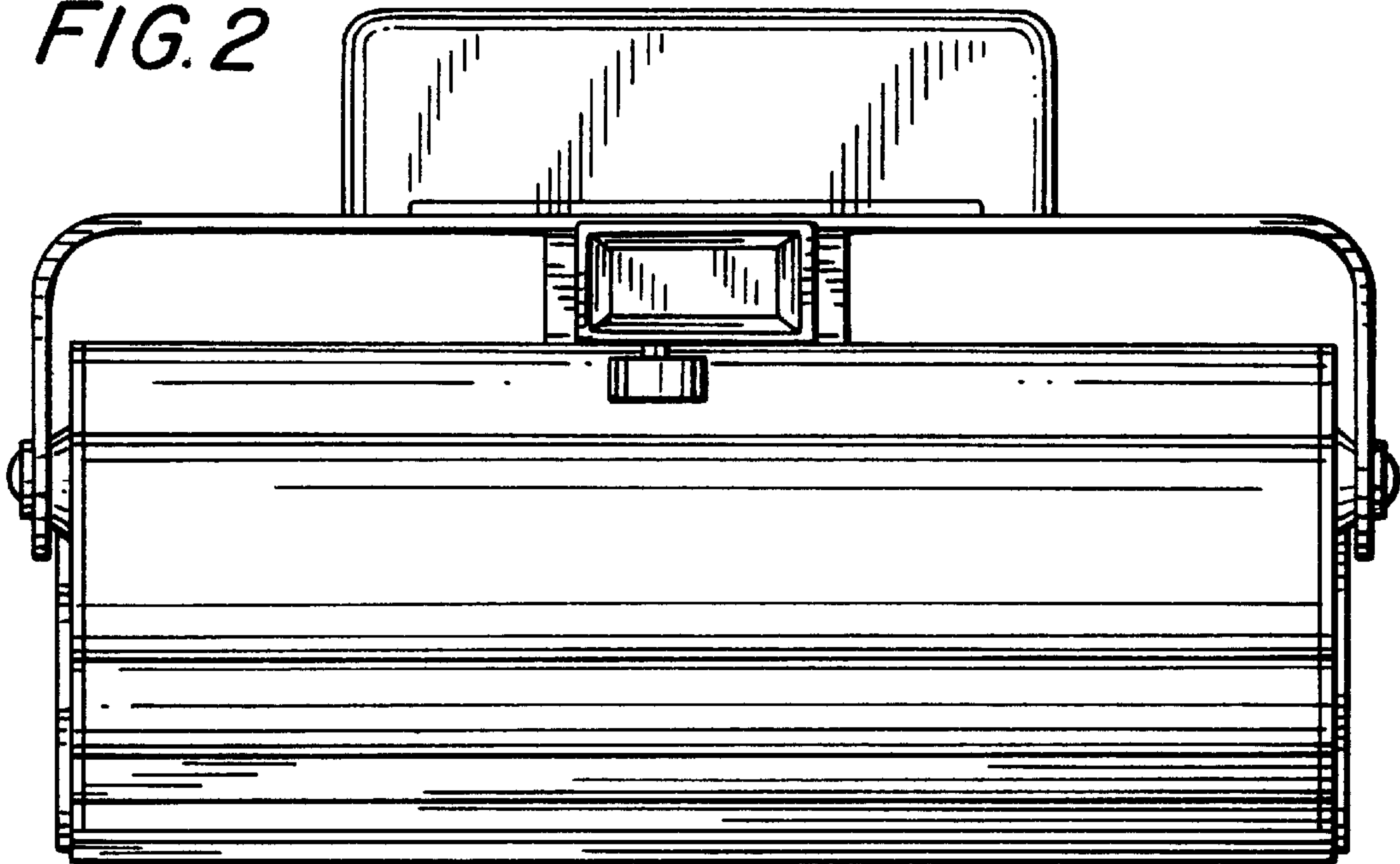
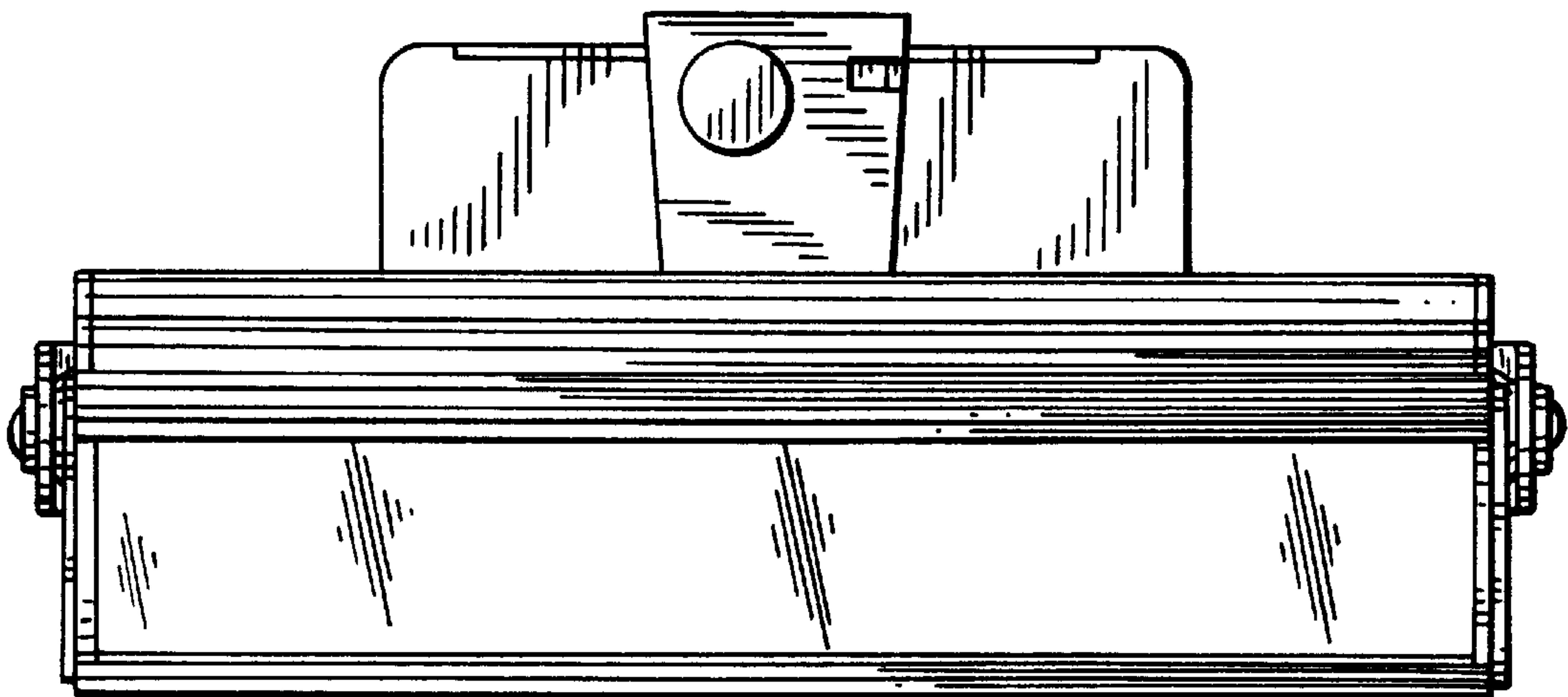


FIG. 3



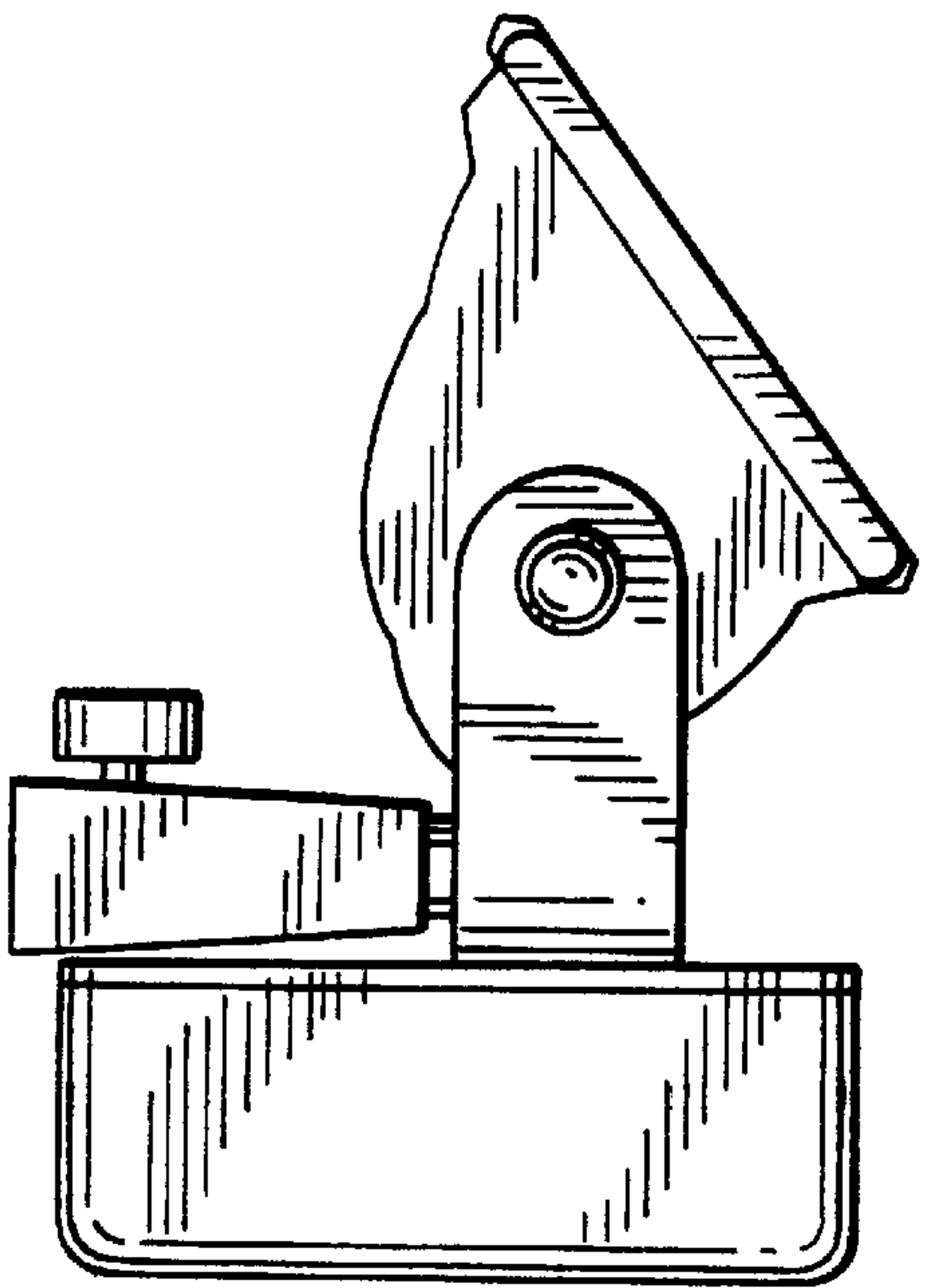
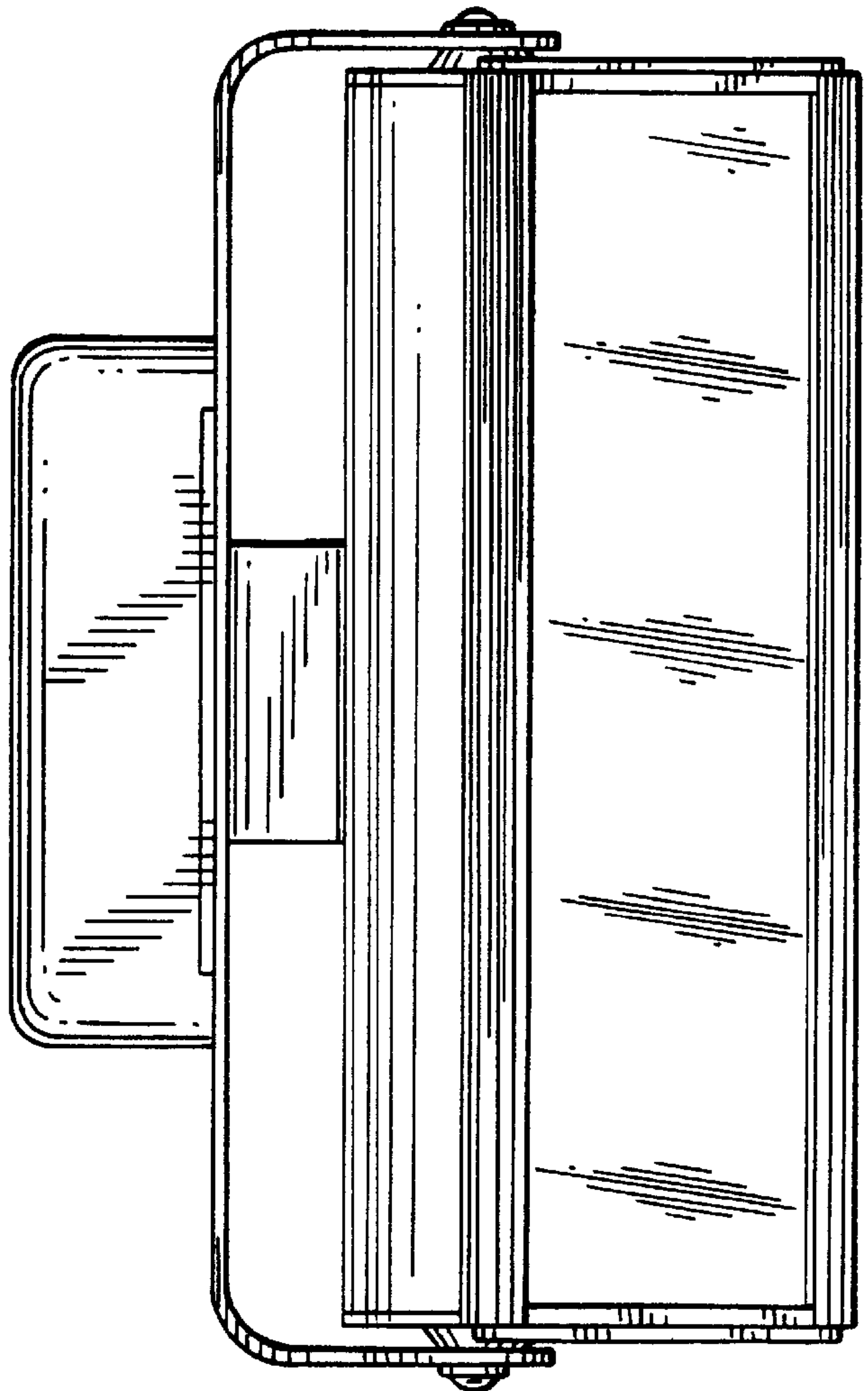
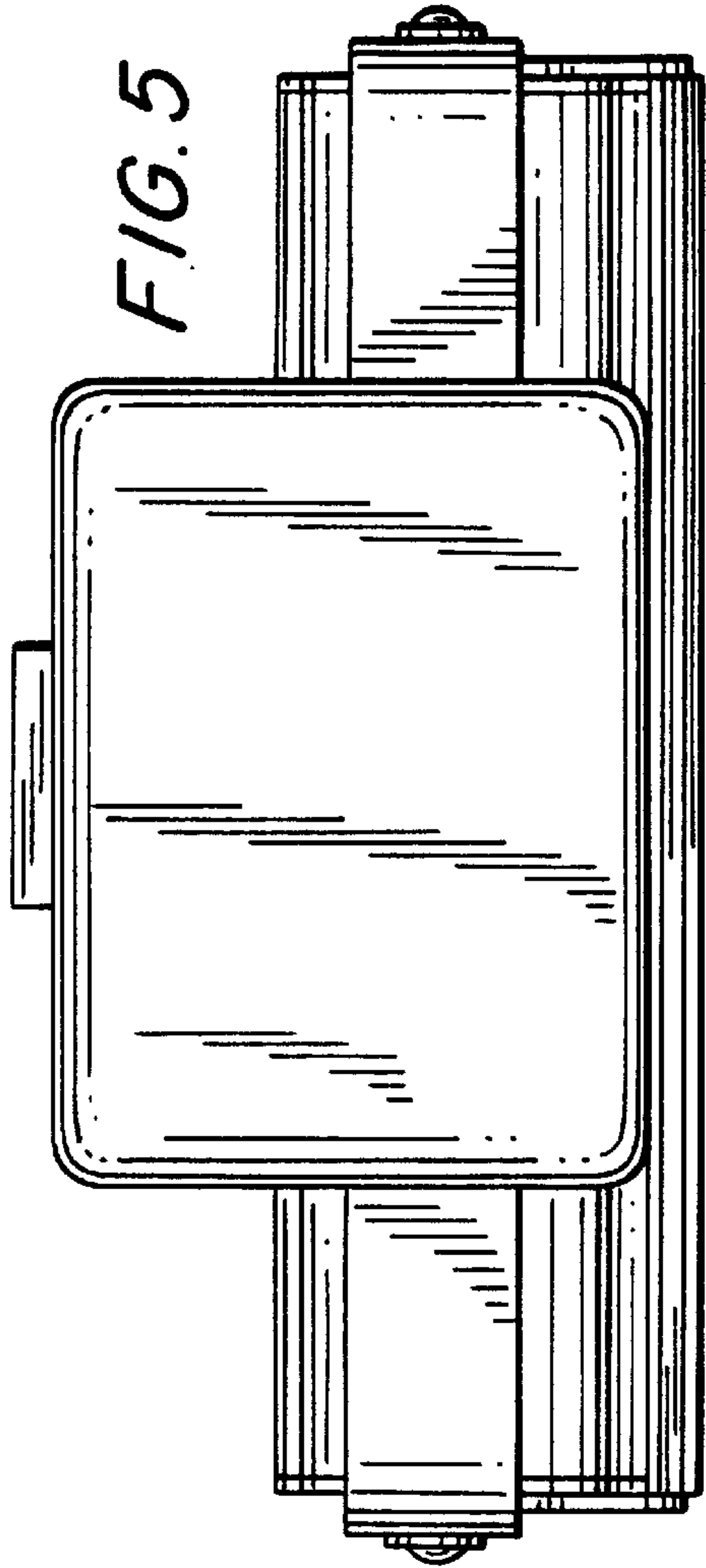


FIG. 4

FIG. 6