



US00D439350S

(12) **United States Design Patent**
Handsaker

(10) **Patent No.:** **US D439,350 S**

(45) **Date of Patent:** **** Mar. 20, 2001**

(54) **LIGHT FIXTURE**

D. 426,005 * 5/2000 Reniger et al. D26/28

(75) **Inventor:** **Jerrold L. Handsaker**, Algona, IA
(US)

* cited by examiner

Primary Examiner—Marcus A. Jackson

(73) **Assignee:** **Innovative Lighting, Inc.**, Algona, IA
(US)

(74) *Attorney, Agent, or Firm*—Zarley, McKee, Thomte,
Voorhees & Sease

(**) **Term:** **14 Years**

(57) **CLAIM**

I claim the ornamental design for a light fixture, as shown
and described.

(21) **Appl. No.:** **29/118,373**

(22) **Filed:** **Feb. 7, 2000**

DESCRIPTION

(51) **LOC (7) Cl.** **26-04**

FIG. 1 is a front perspective view of a light fixture showing
my new design.

(52) **U.S. Cl.** **D26/28**

FIG. 2 is a side elevational view taken from the left side of
FIG. 1.

(58) **Field of Search** D26/28-36; 362/80,
362/80.1, 83, 83.3, 267, 307, 311, 362

FIG. 3 is a side elevational view taken from the right side of
FIG. 1.

(56) **References Cited**

FIG. 4 is a top plan view thereof.

U.S. PATENT DOCUMENTS

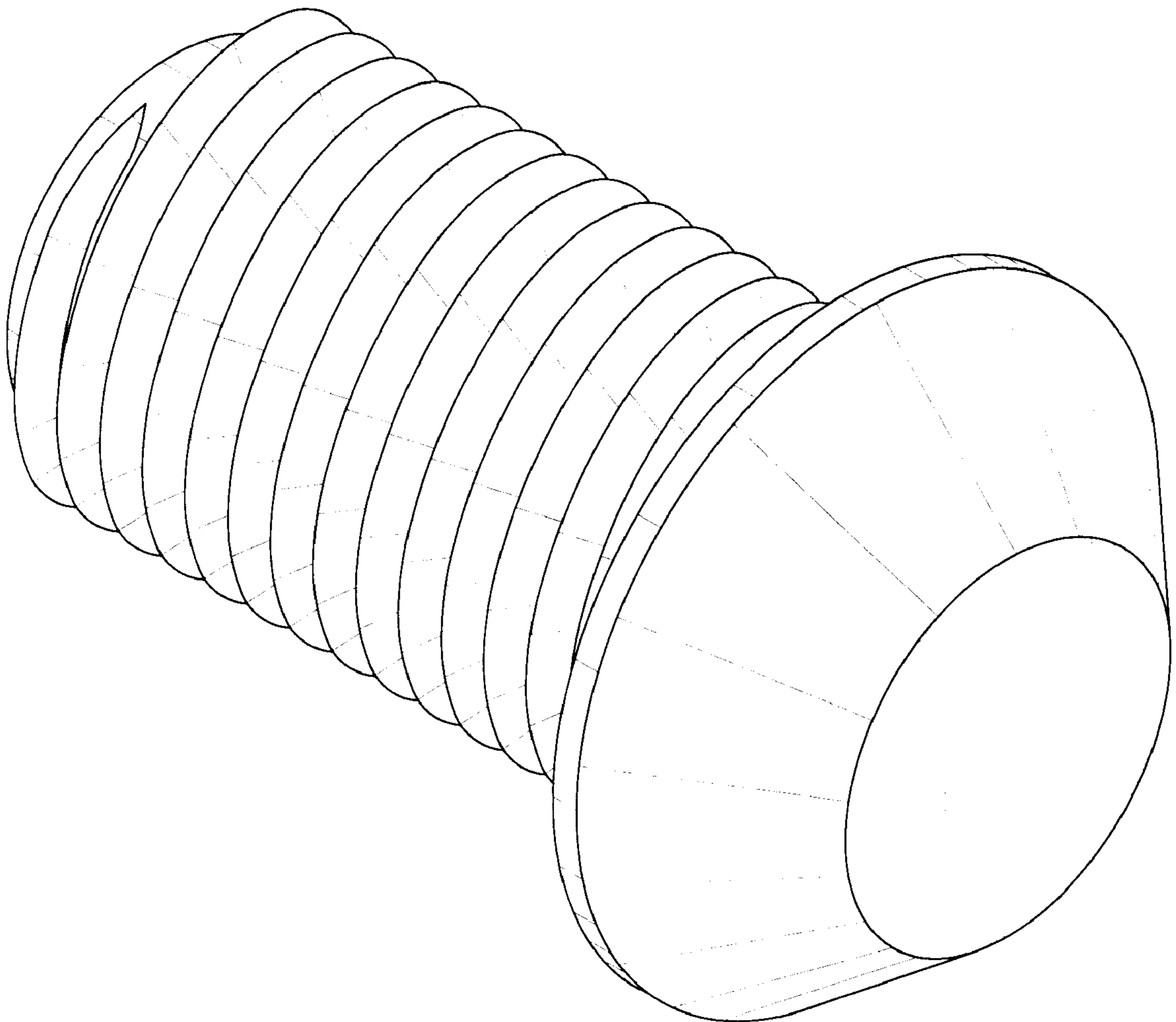
FIG. 5 is a bottom plan view thereof; and,

D. 367,332 * 2/1996 Reniger et al. D26/28

FIG. 6 is a bottom plan view of an alternate embodiment.

D. 388,895 * 1/1998 Reichard D26/28

1 Claim, 1 Drawing Sheet



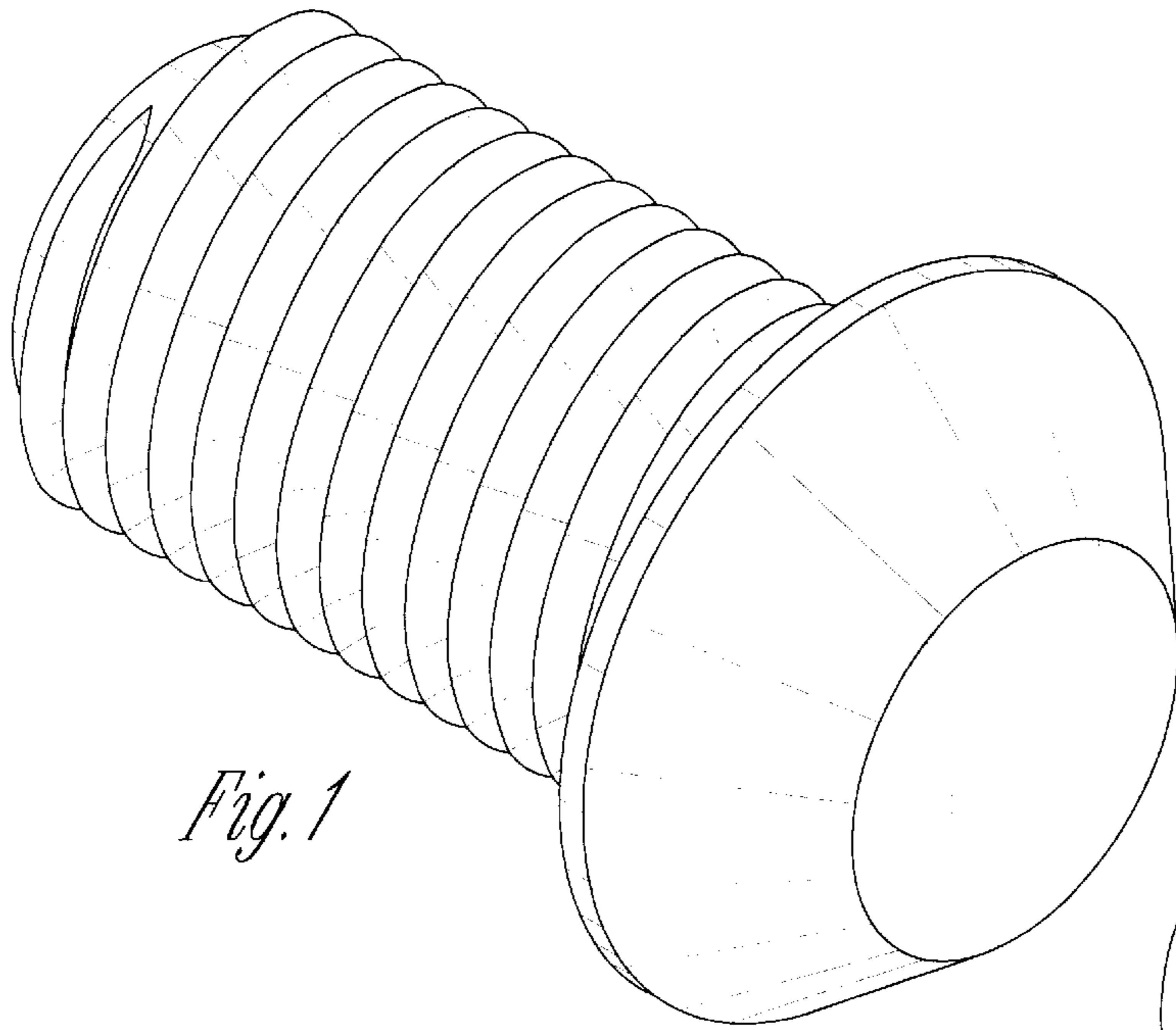


Fig. 1

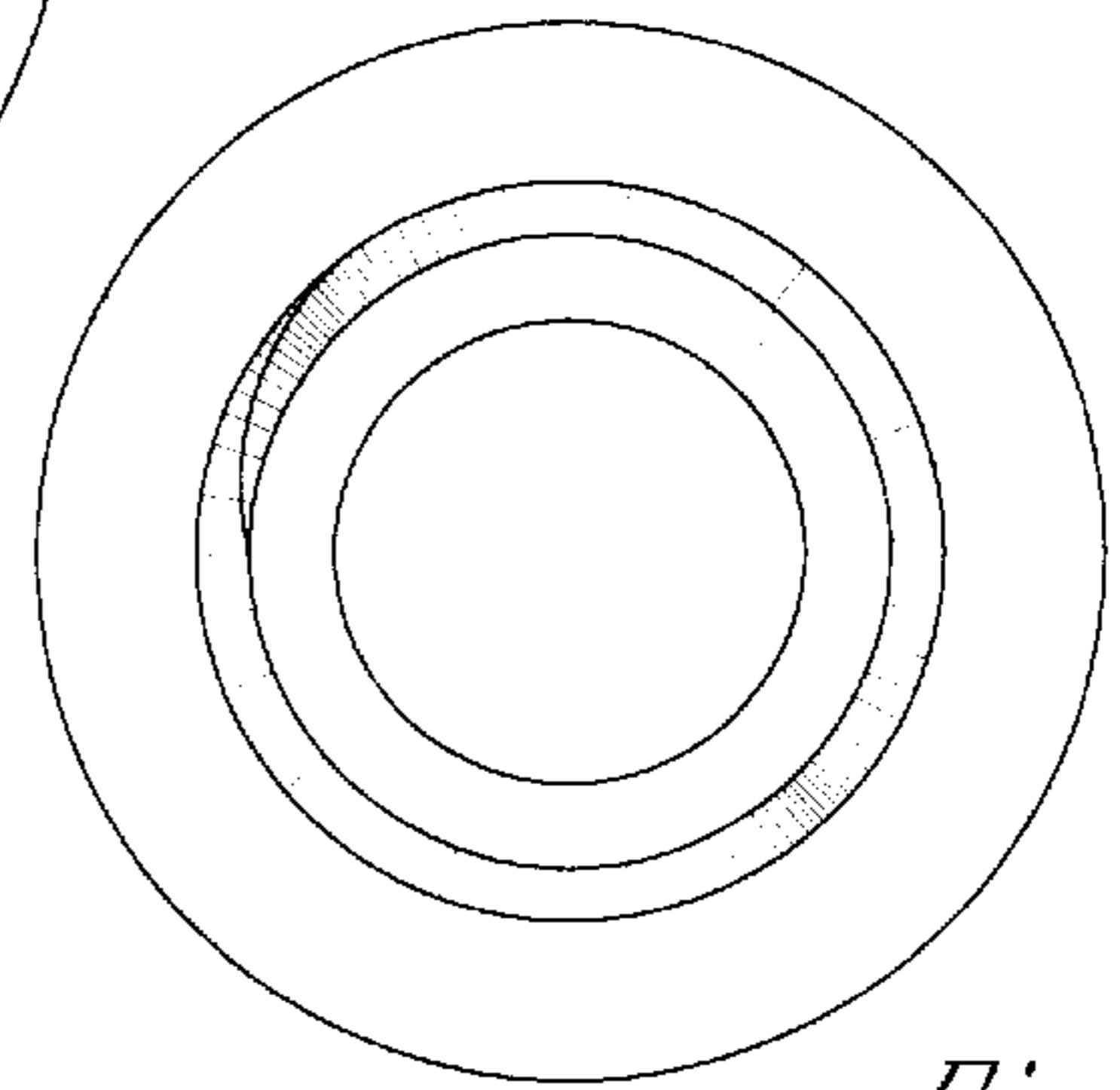


Fig. 4

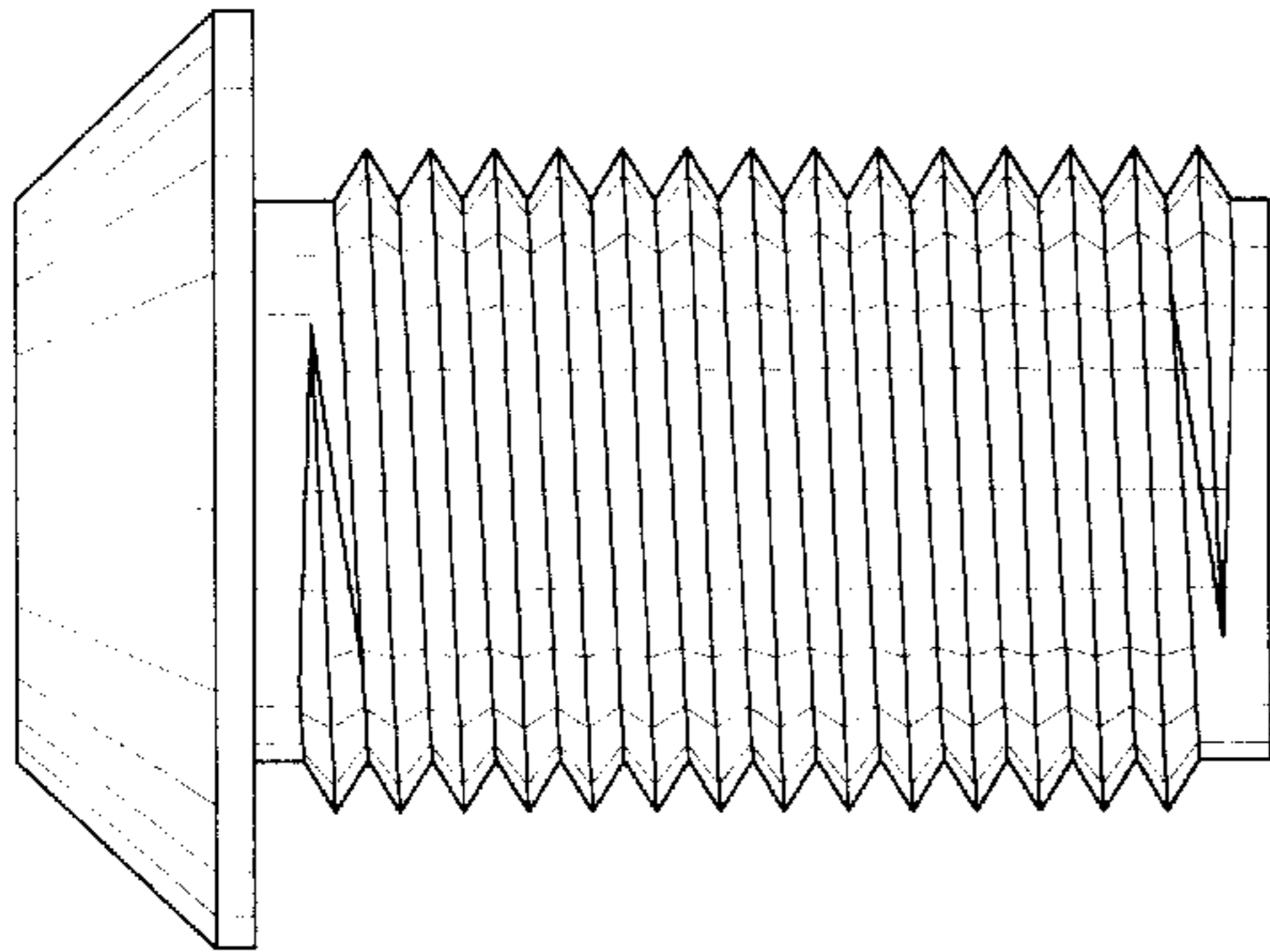


Fig. 2

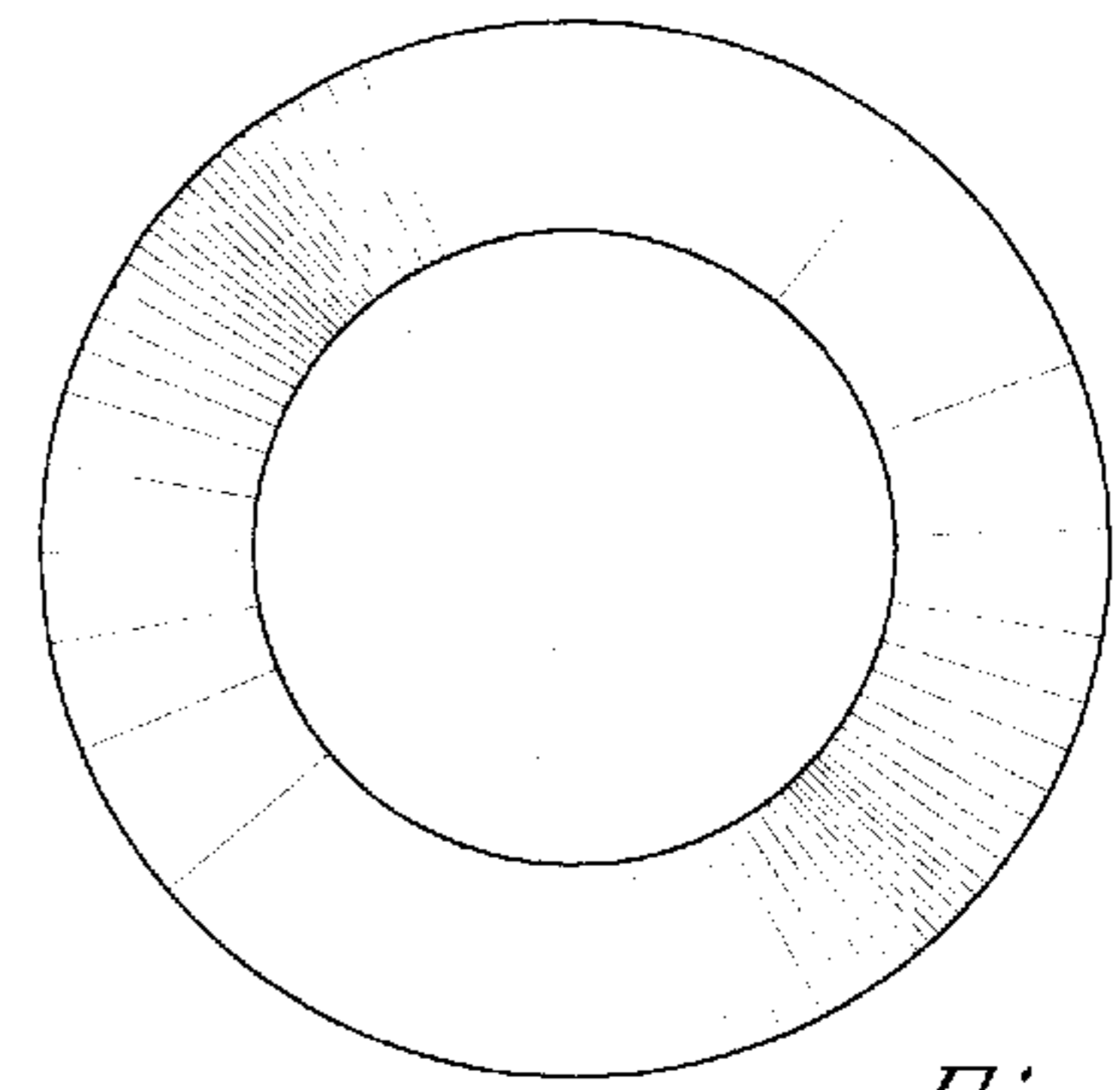


Fig. 5

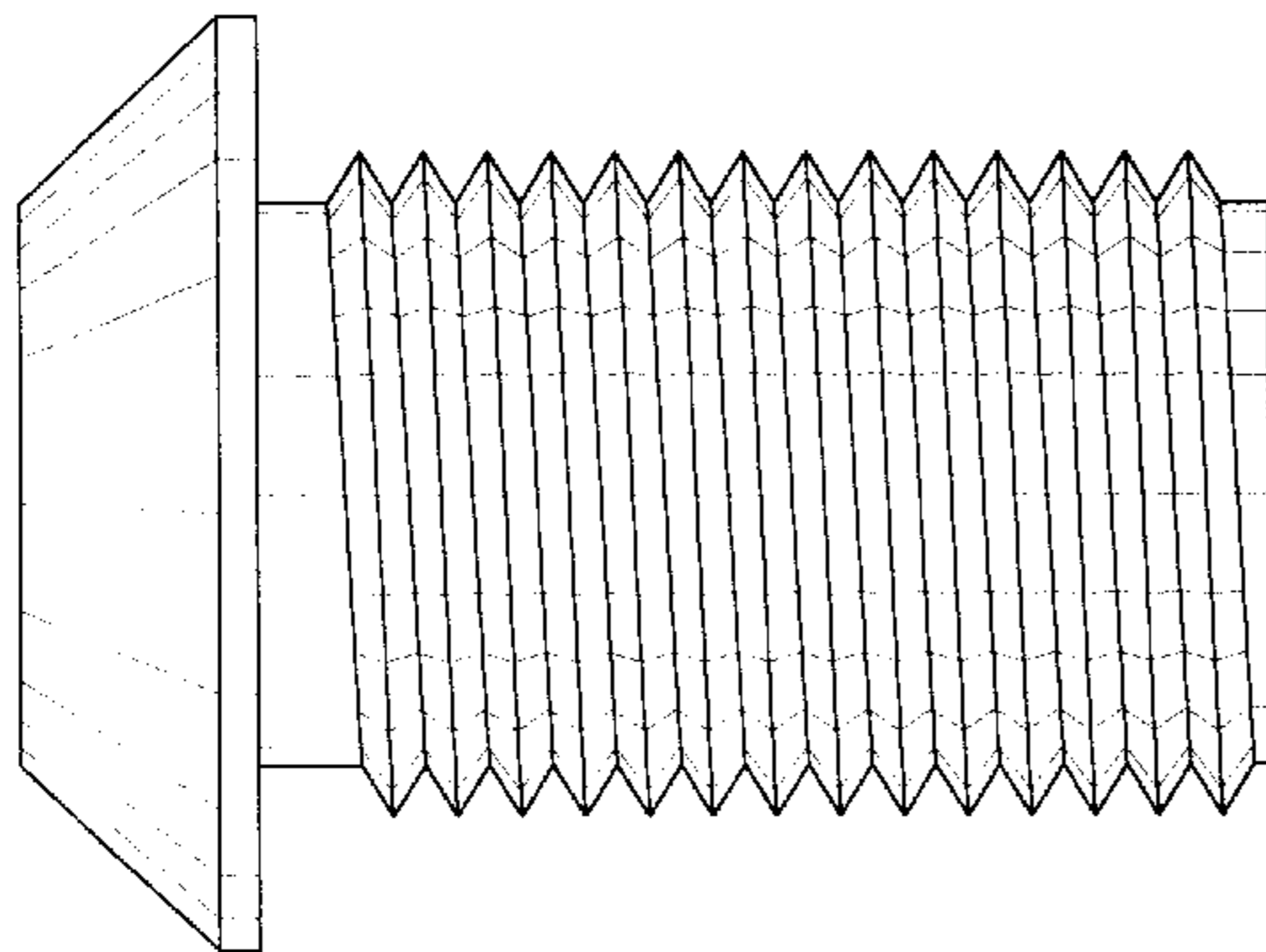


Fig. 3

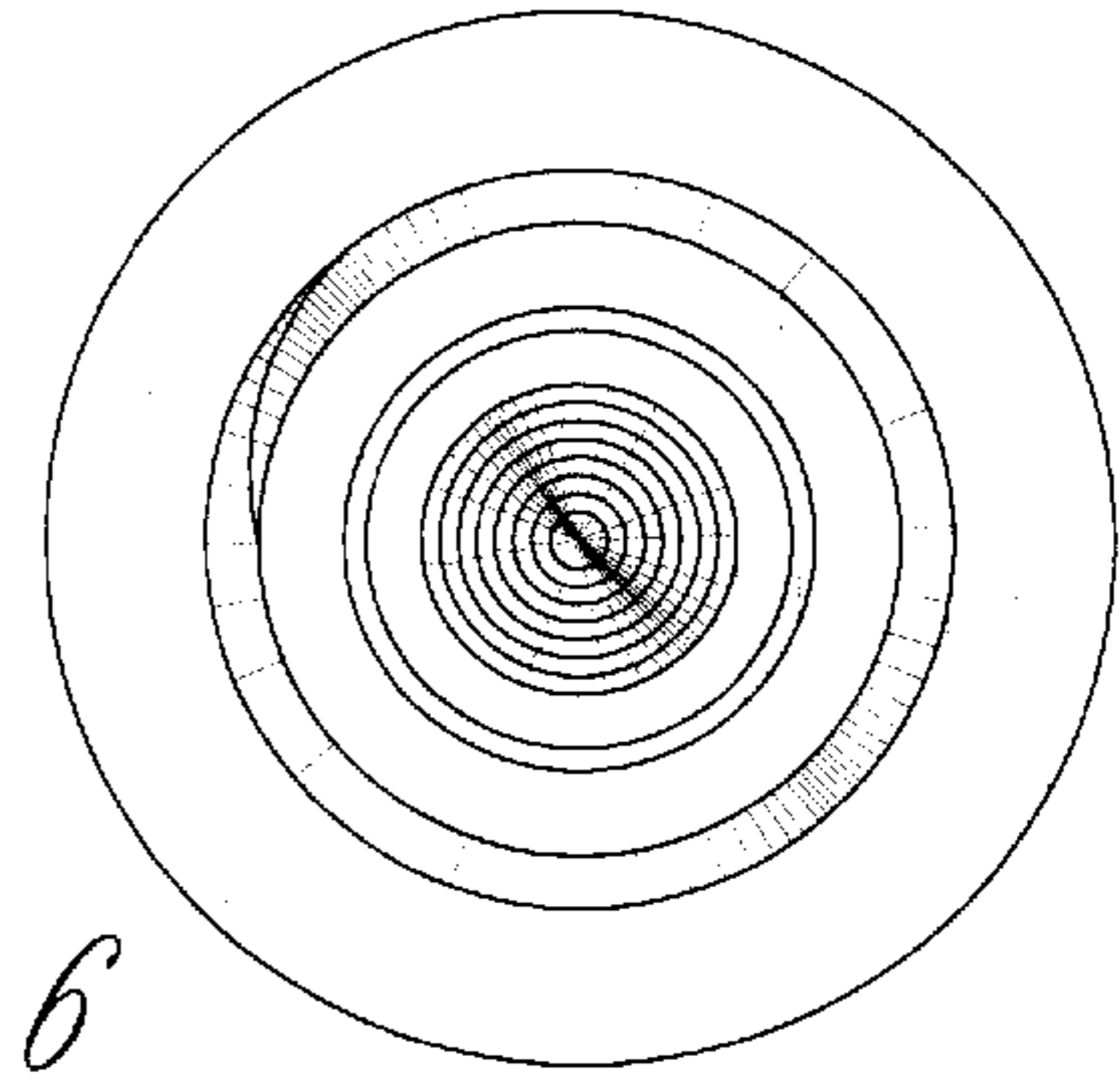


Fig. 6