



US00D439345S

(12) **United States Design Patent**  
**Herchenbach et al.**

(10) **Patent No.: US D439,345 S**

(45) **Date of Patent: \*\* Mar. 20, 2001**

(54) **CONTAINER FOR USE WITH AN  
AUTOMATIC ANALYZER**

|           |           |                  |         |
|-----------|-----------|------------------|---------|
| 4,785,953 | 11/1988   | Buchholz et al.  | 215/365 |
| 4,873,193 | * 10/1989 | Jensen et al.    | 422/102 |
| 5,104,807 | 4/1992    | Mitsumaki et al. | 436/47  |
| 5,624,554 | * 4/1997  | Faulkner et al.  | 422/102 |

(75) Inventors: **Steve Herchenbach**, Grayslake; **Linas P. Laurusonis**; **Michael W. McGowan**, both of Gurnee, all of IL (US); **Scott G. Safar**, Pleasant Prairie, WI (US)

**FOREIGN PATENT DOCUMENTS**

(73) Assignee: **Abbott Laboratories**, Abbott Park, IL (US)

|           |        |      |   |
|-----------|--------|------|---|
| 0410645A2 | 1/1991 | (EP) | . |
| 0410645A3 | 1/1991 | (EP) | . |
| 0435481A2 | 7/1991 | (EP) | . |
| 0435481A3 | 7/1991 | (EP) | . |
| 1573224   | 7/1969 | (FR) | . |
| 1428777   | 3/1973 | (GB) | . |

(\* ) Notice: This patent is subject to a terminal disclaimer.

**OTHER PUBLICATIONS**

(\*\*) Term: **14 Years**

Patent Abstracts of Japan vol. 16 No. 225 (P-1360) (5268) May 26, 1992.

(21) Appl. No.: **29/071,158**

\* cited by examiner

(22) Filed: **May 22, 1997**

(51) **LOC (7) Cl.** ..... **24-02**

*Primary Examiner*—Louis S. Zarfes

(52) **U.S. Cl.** ..... **D24/224**

*Assistant Examiner*—Gregory Andoll

(58) **Field of Search** ..... D24/224, 216;  
D9/500, 520, 503, 504; 286/526; 402/102,  
939, 940; 220/657; 356/241; 606/160; 215/382,  
DIG. 3; 73/864.91

(74) *Attorney, Agent, or Firm*—David L. Weinstein

(57) **CLAIM**

The ornamental design for a container for use with an automatic analyzer, as shown and described.

(56) **References Cited**

**DESCRIPTION**

**U.S. PATENT DOCUMENTS**

|            |           |                    |           |
|------------|-----------|--------------------|-----------|
| D. 292,881 | * 11/1987 | Thompson           | D9/503    |
| D. 330,429 | * 10/1992 | Lewis et al.       | D24/224   |
| D. 347,479 | 5/1994    | Hansen et al.      | D24/224   |
| D. 358,660 | 5/1995    | Swift              | D24/224   |
| D. 389,586 | * 1/1998  | Brennan            | D24/224   |
| D. 401,699 | * 11/1998 | Herchenbach et al. | D24/224   |
| 3,190,731  | 6/1965    | Weiskoff           | .         |
| 3,537,794  | 11/1970   | Louder             | 356/40    |
| 3,849,256  | * 11/1974 | Linder             | 422/102   |
| 4,046,138  | * 9/1977  | Libman             | 73/864.91 |

FIG. 1 is a perspective view of the container for use with an automatic analyzer, showing our new design;

FIG. 2 is a side view thereof;

FIG. 3 is a top view thereof; and,

FIG. 4 is a bottom view thereof.

The surfaces of the container for use with an automatic analyzer not shown in the drawings or described in the specification form no part of the claimed design.

**1 Claim, 2 Drawing Sheets**

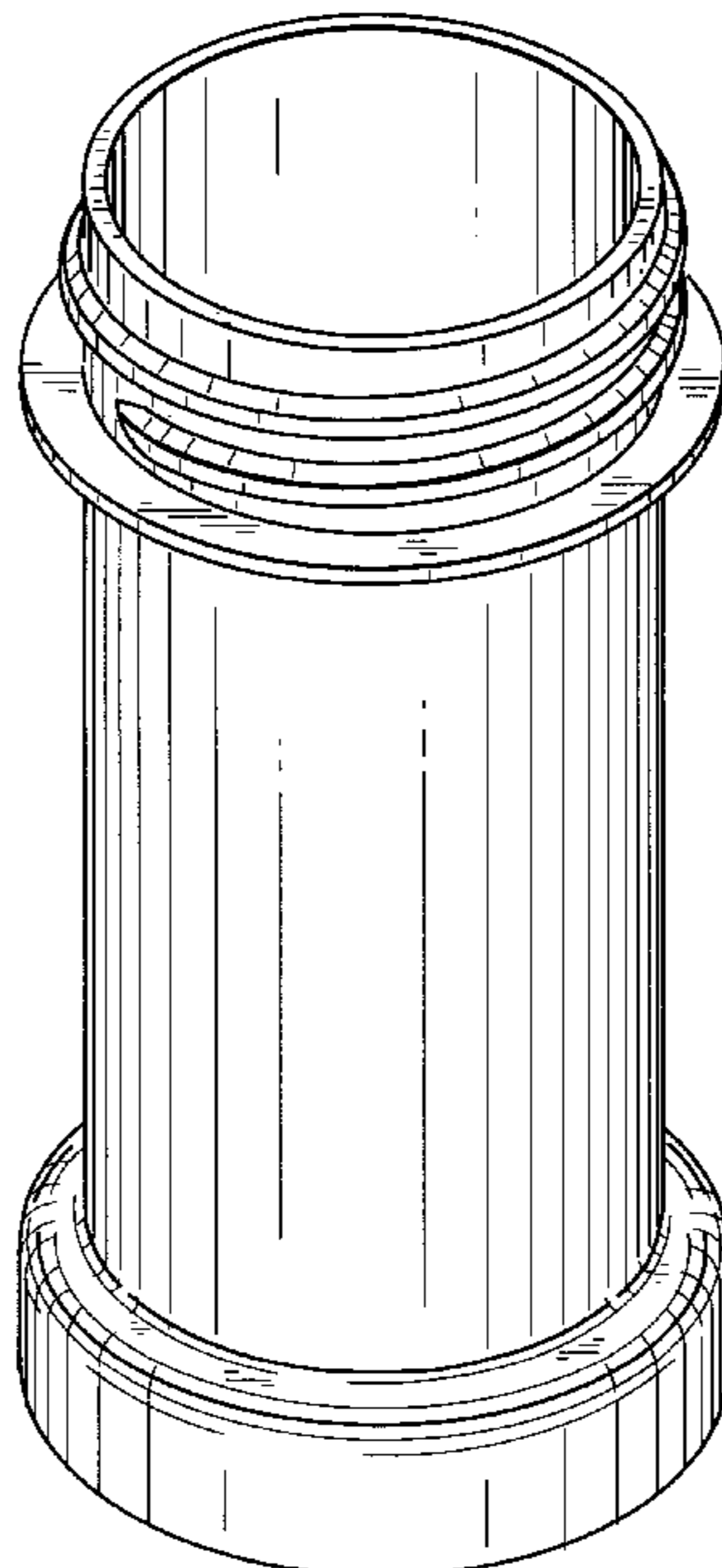


FIG. 1

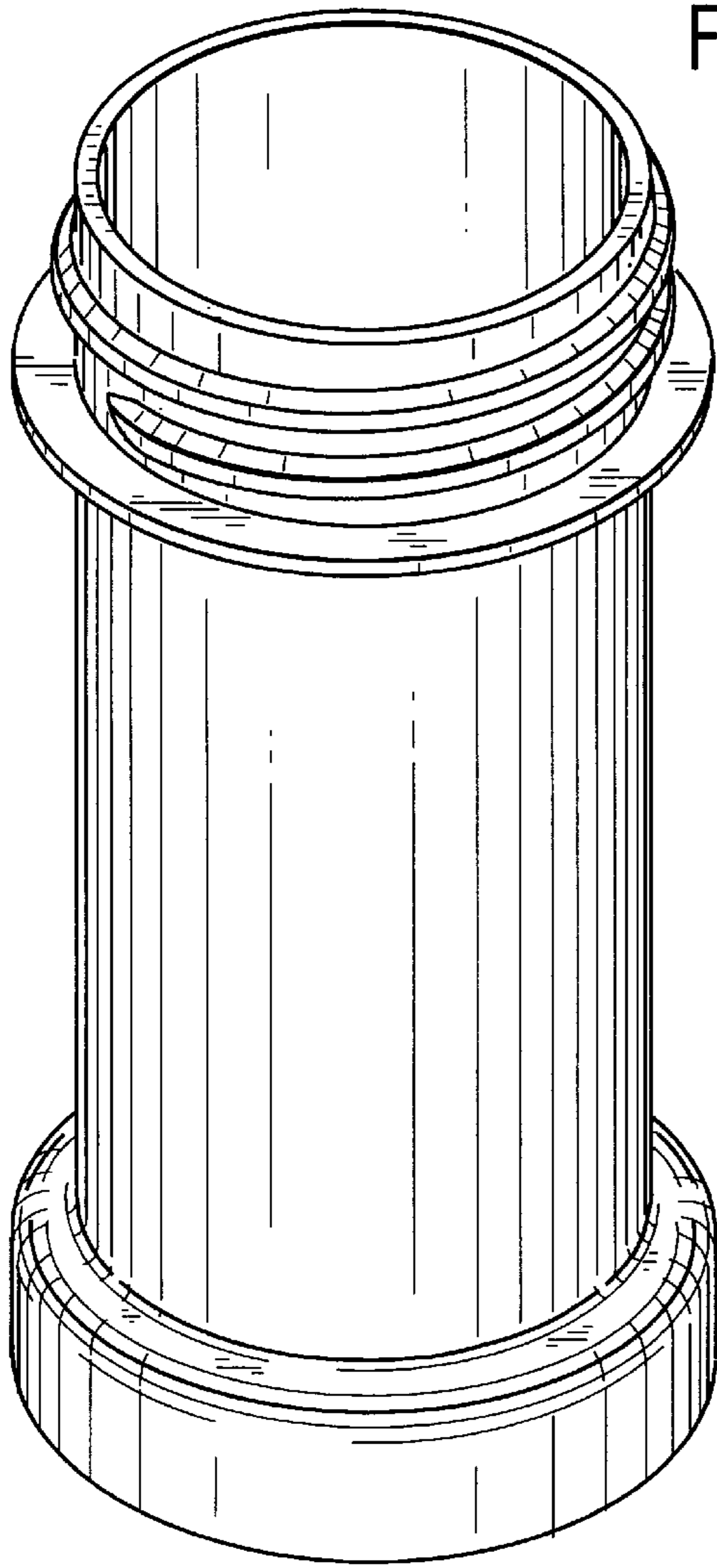


FIG. 2

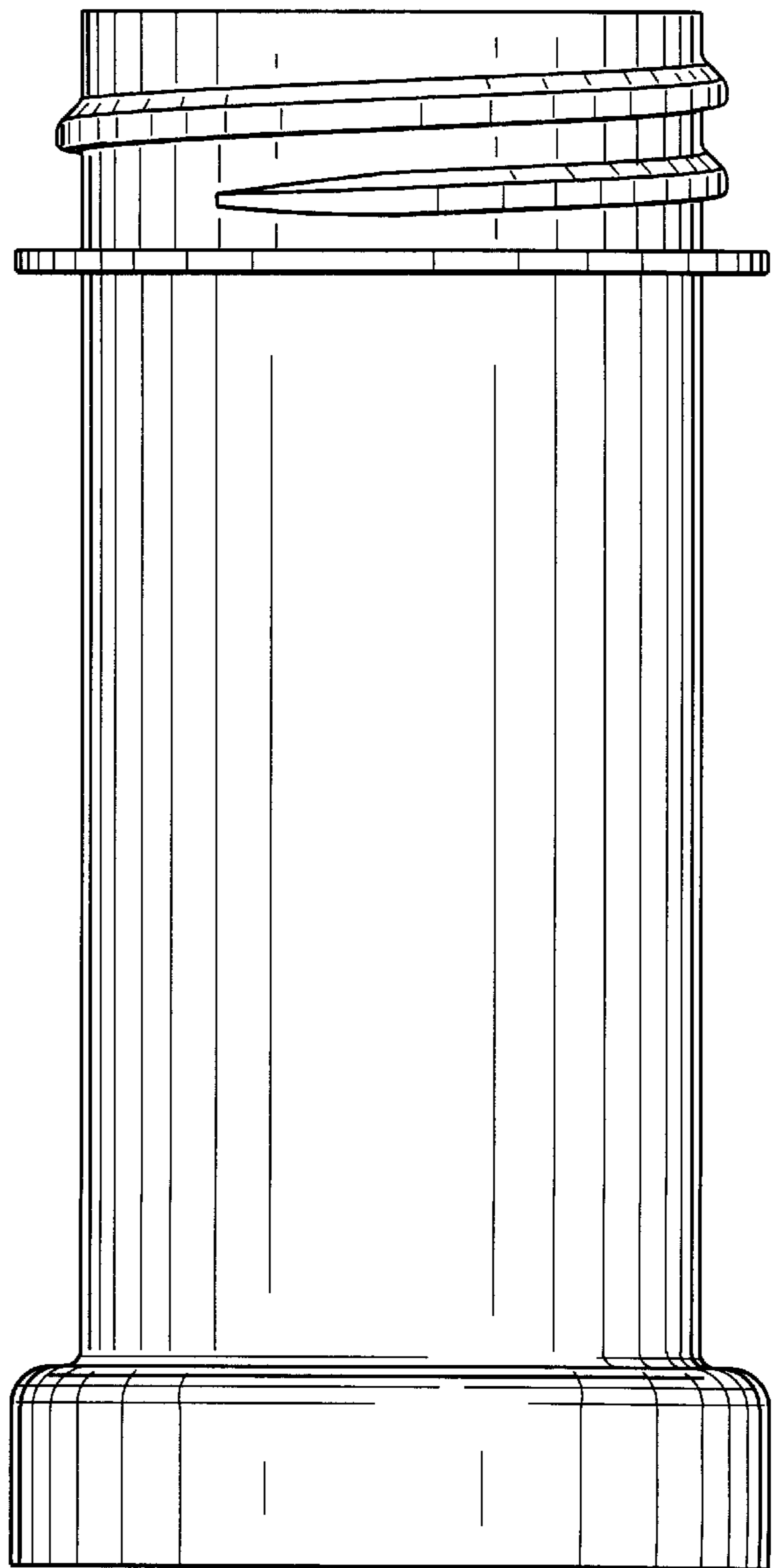


FIG. 3

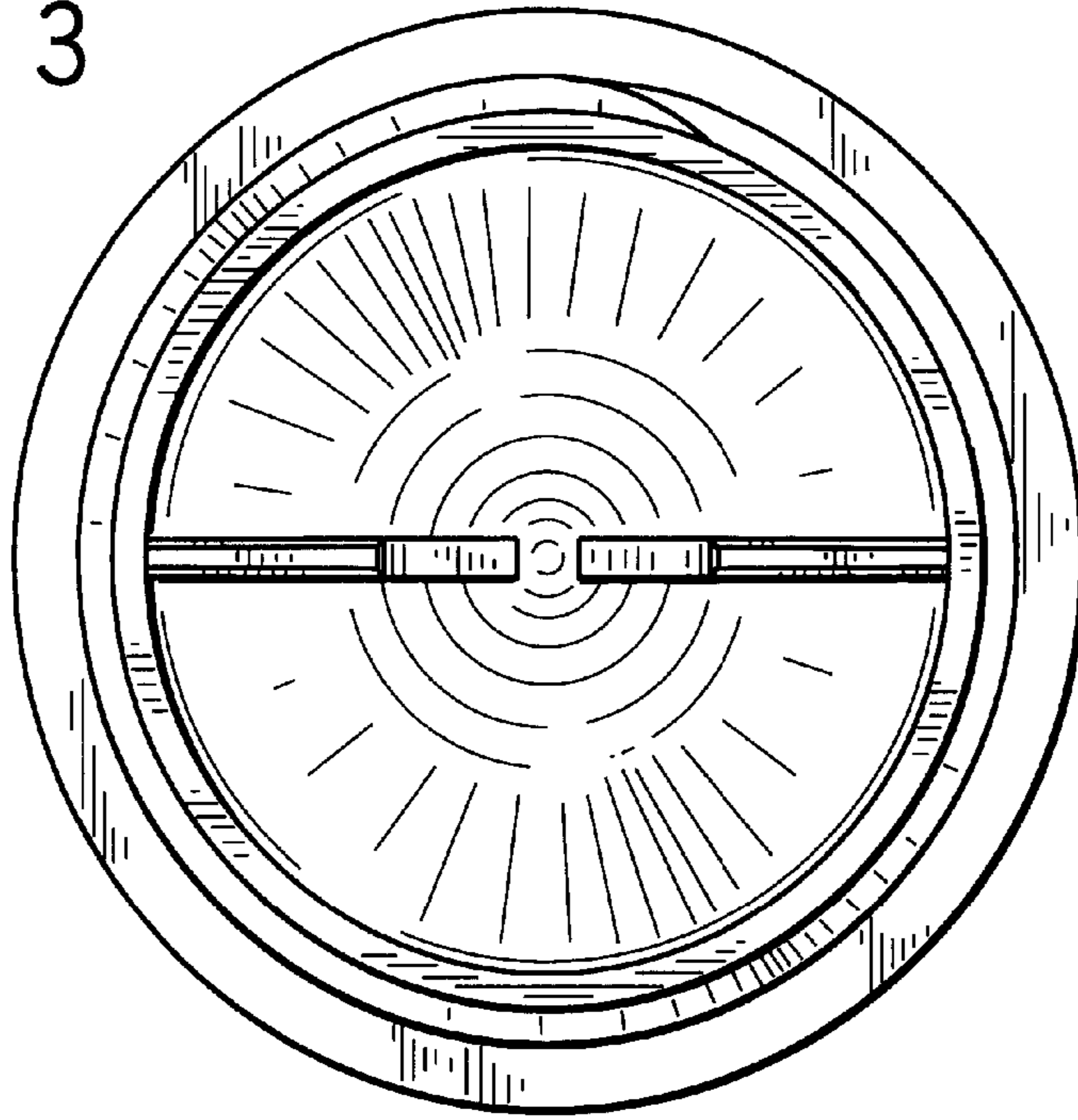


FIG. 4

