



US00D439341S

(12) **United States Design Patent**
Tumey et al.

(10) **Patent No.: US D439,341 S**

(45) **Date of Patent: ** *Mar. 20, 2001**

- (54) **PORTABLE MEDICAL PUMPING UNIT WITH BELT CLIP**
- (75) Inventors: **David M. Tumey; L. Tab Randolph,**
both of San Antonio, TX (US)
- (73) Assignee: **KCI Licensing, Inc.,** San Antonio, TX (US)
- (*) Notice: This patent is subject to a terminal disclaimer.
- (**) Term: **14 Years**
- (21) Appl. No.: **29/104,764**
- (22) Filed: **May 11, 1999**
- (51) **LOC (7) Cl. 24-02**
- (52) **U.S. Cl. D24/169; D15/7; D24/111**
- (58) **Field of Search D24/111, 169; D15/7, 9, 8; 606/201, 202; 601/149, 150, 151, 152, 153**

- D. 339,356 * 9/1993 Tsai D15/8
- D. 374,075 * 9/1996 Lee D24/111
- D. 374,931 * 10/1996 Cesaroni et al. D24/169
- 5,843,007 * 12/1998 McEwen et al. 601/152
- 5,938,628 * 8/1999 Oguri et al. 601/150

* cited by examiner

Primary Examiner—Ian Simmons

(74) *Attorney, Agent, or Firm*—Wayne J. Colton, Inc.

(57) **CLAIM**

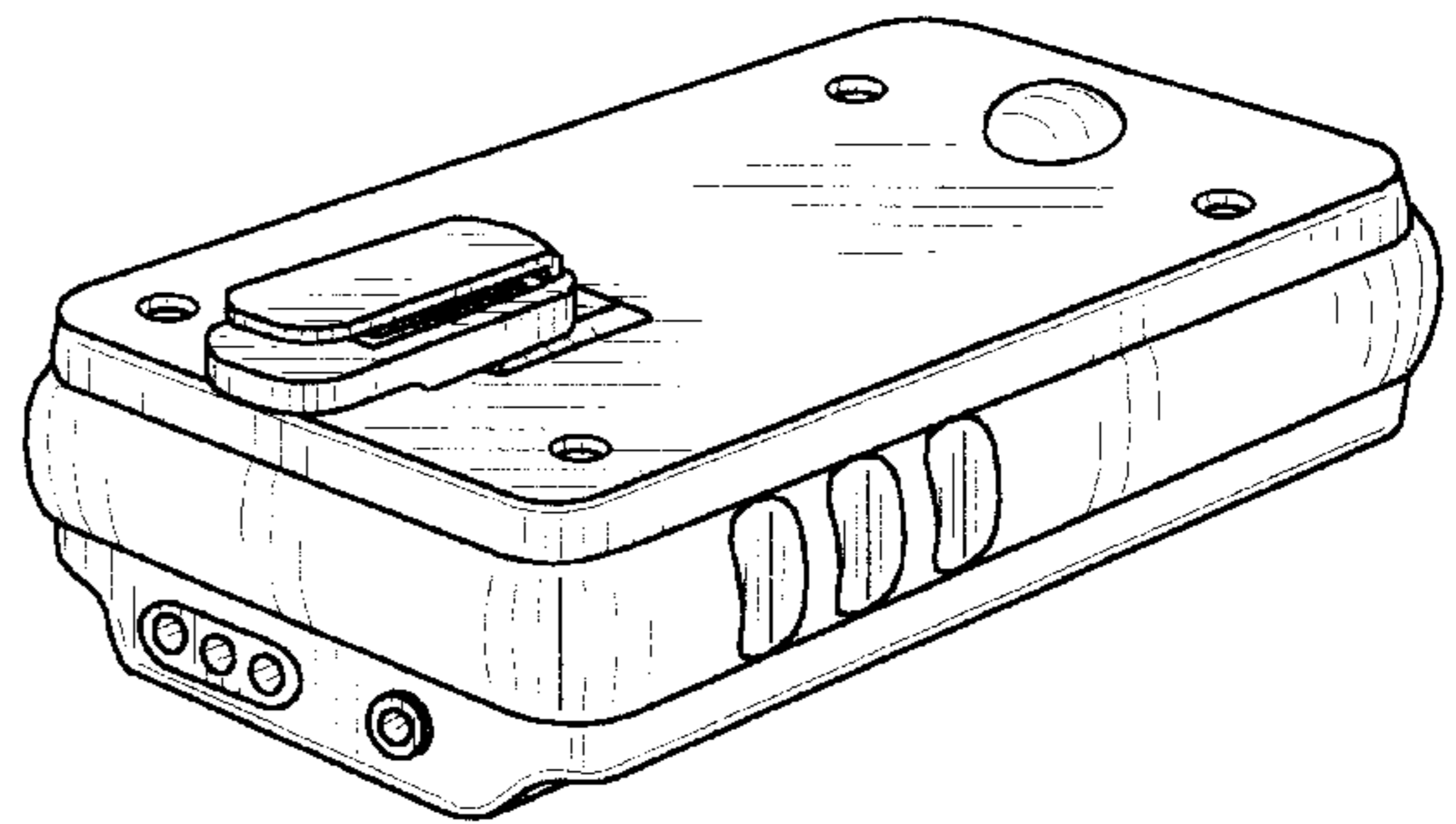
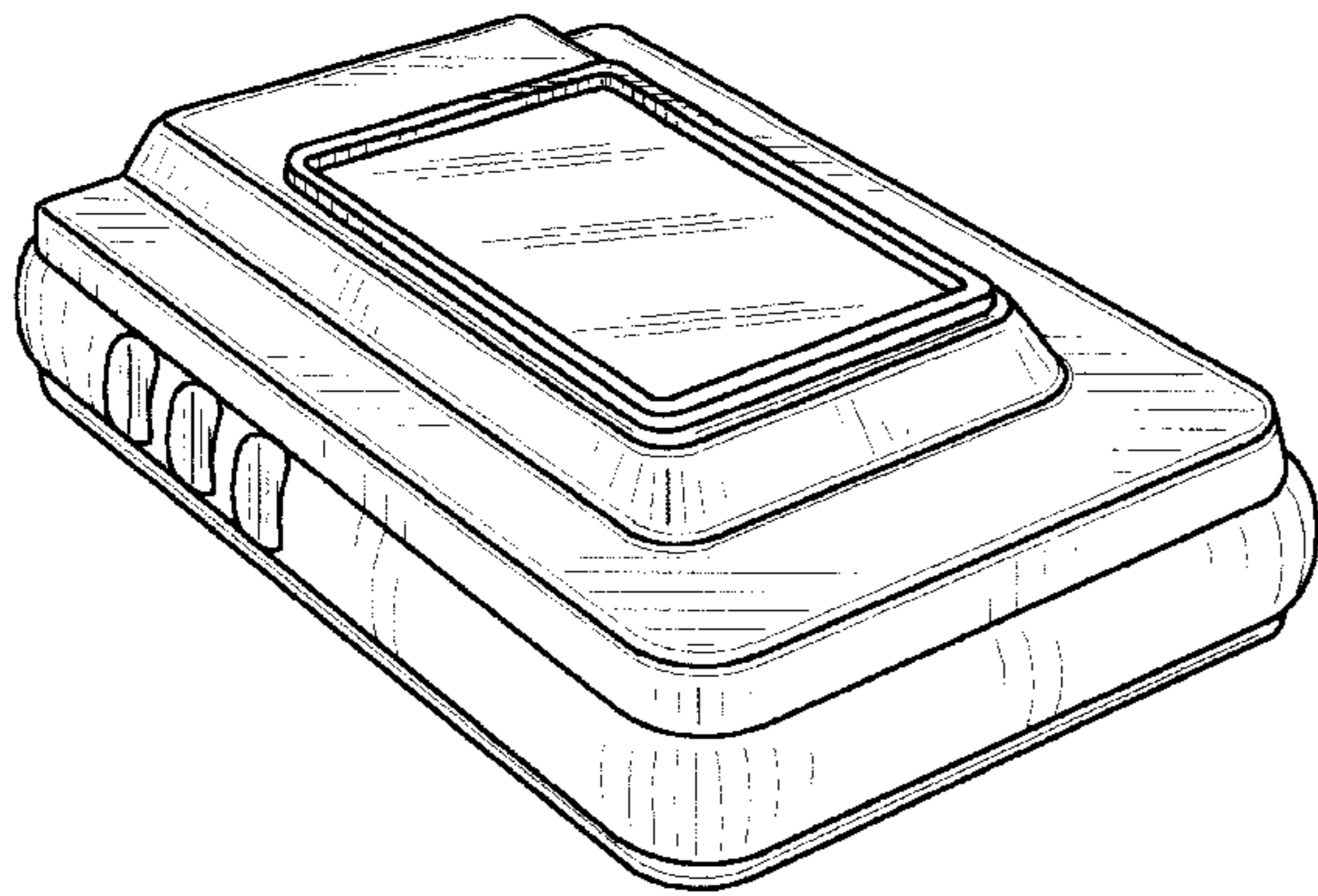
The ornamental design for a portable medical pumping unit with belt clip, as shown and described.

DESCRIPTION

FIG. 1 is a top perspective view of a portable medical pumping unit with belt clip, showing our new design; FIG. 2 is a bottom perspective view thereof; FIG. 3 is a top plan view thereof; FIG. 4 is a bottom plan view thereof; FIG. 5 is a front end elevational view thereof; FIG. 6 is a rear end elevational view thereof; FIG. 7 is a left side elevational view thereof; and, FIG. 8 is a right side elevational view thereof.

1 Claim, 2 Drawing Sheets

- (56) **References Cited**
U.S. PATENT DOCUMENTS
D. 294,359 * 2/1988 Tsai D15/8



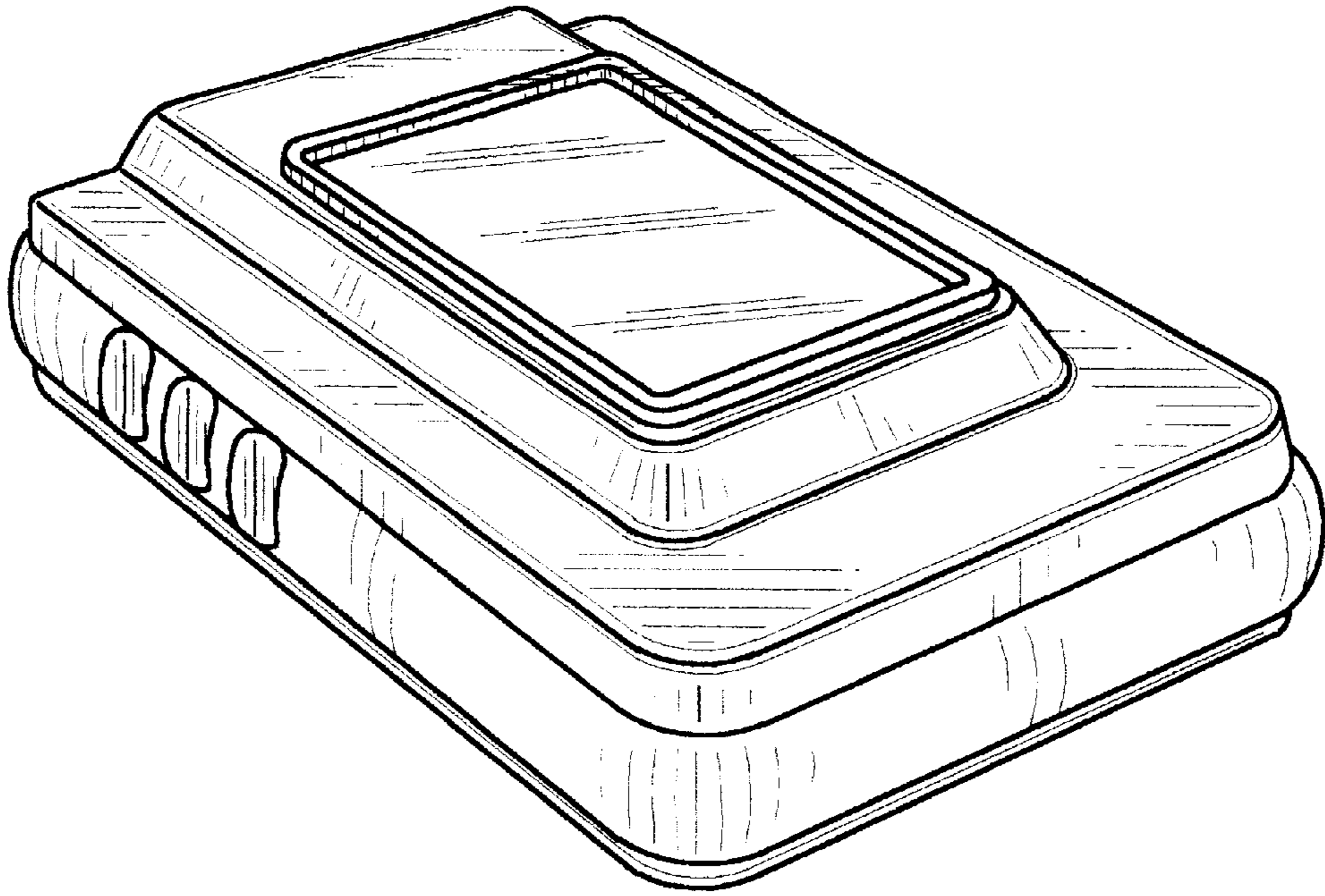


Fig. 1

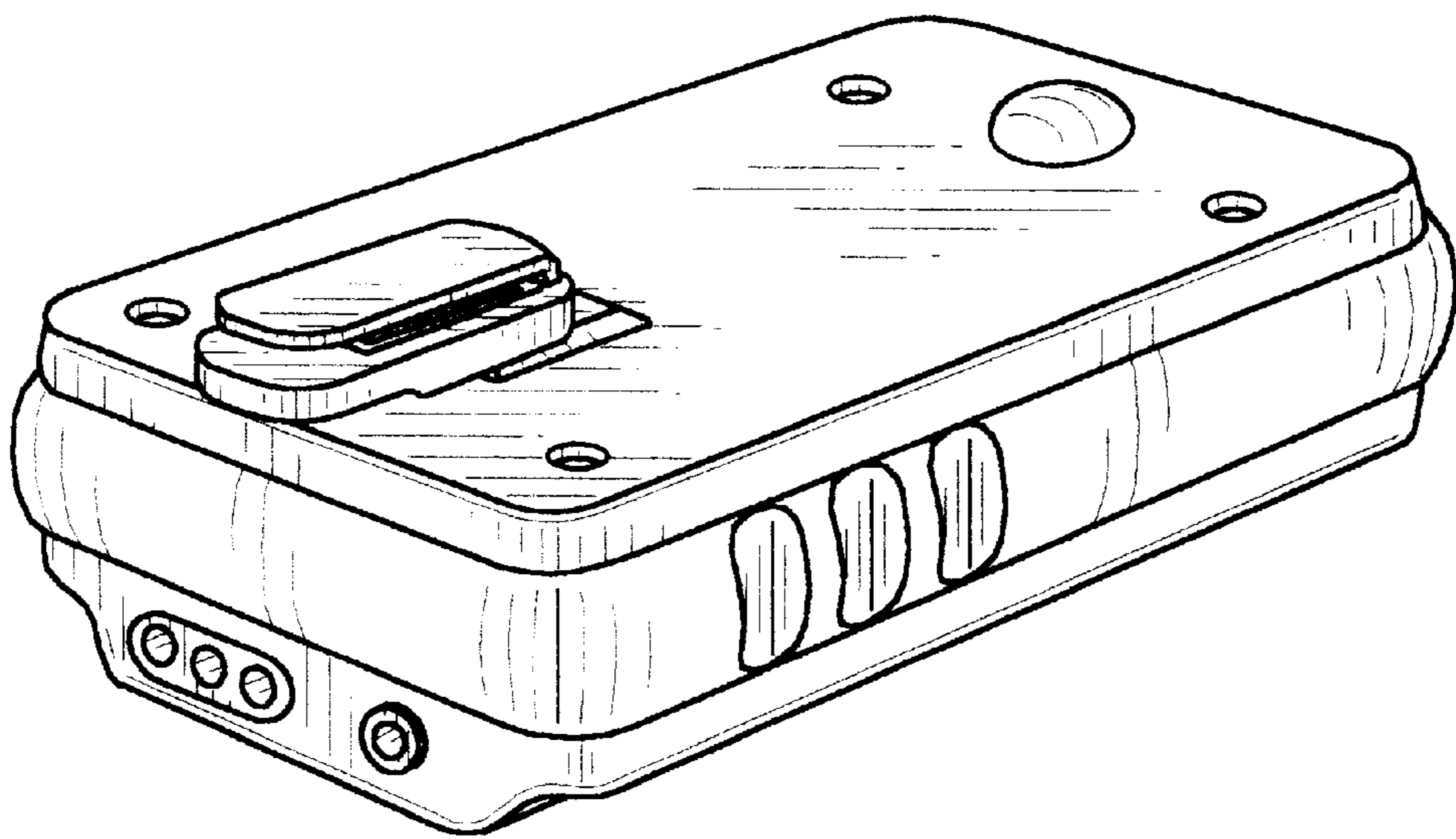


Fig. 2

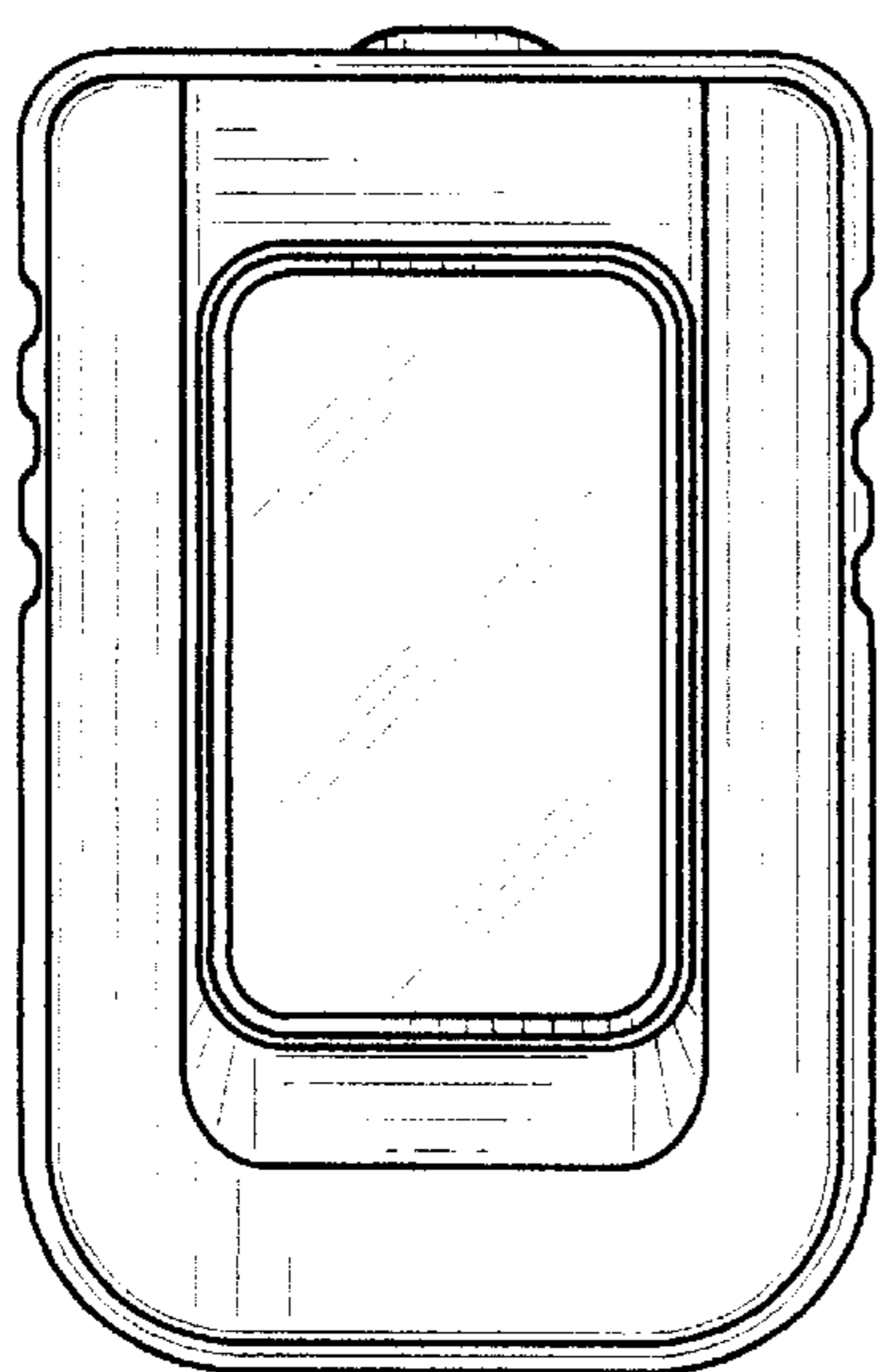


Fig. 3

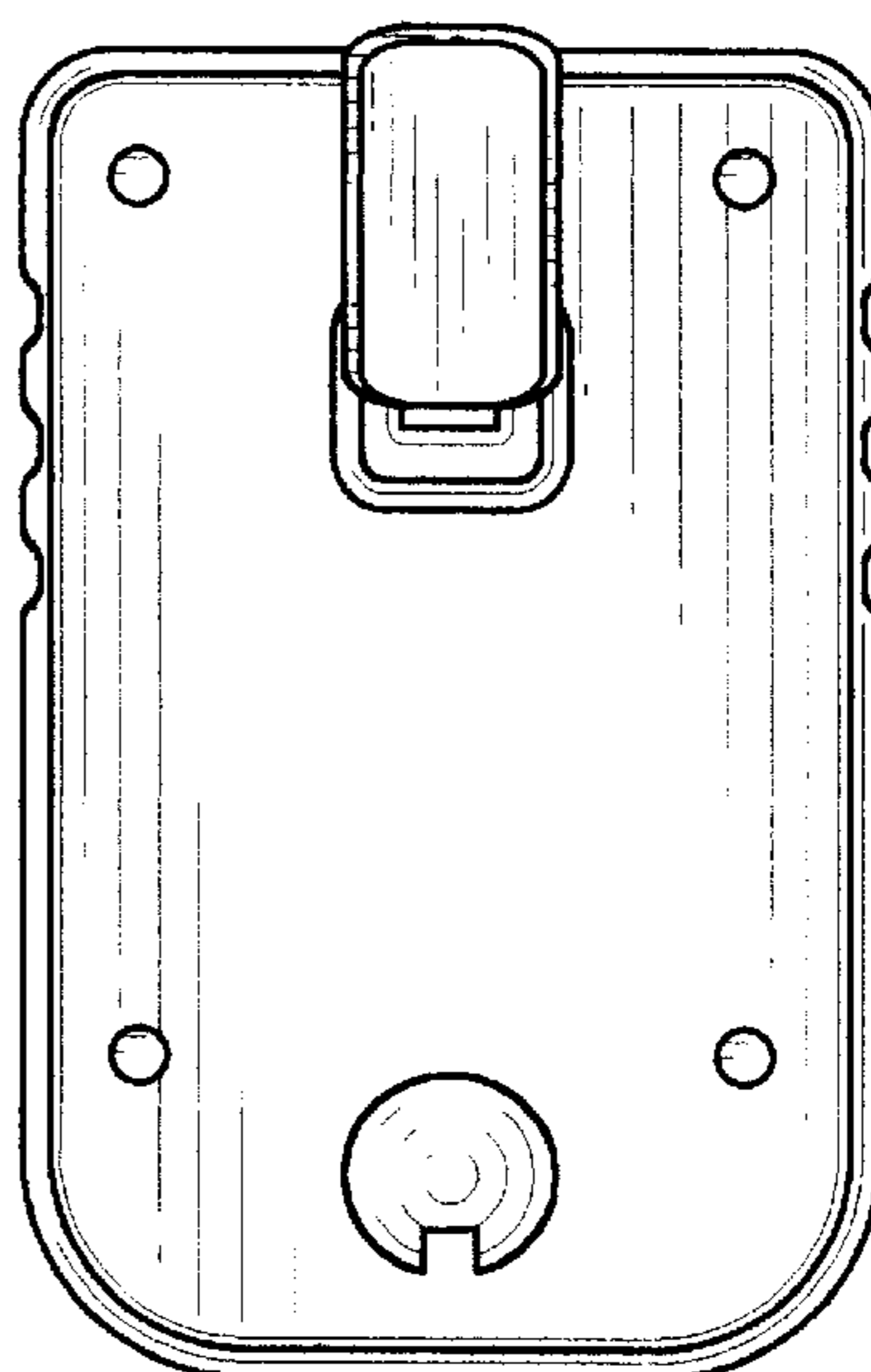


Fig. 4

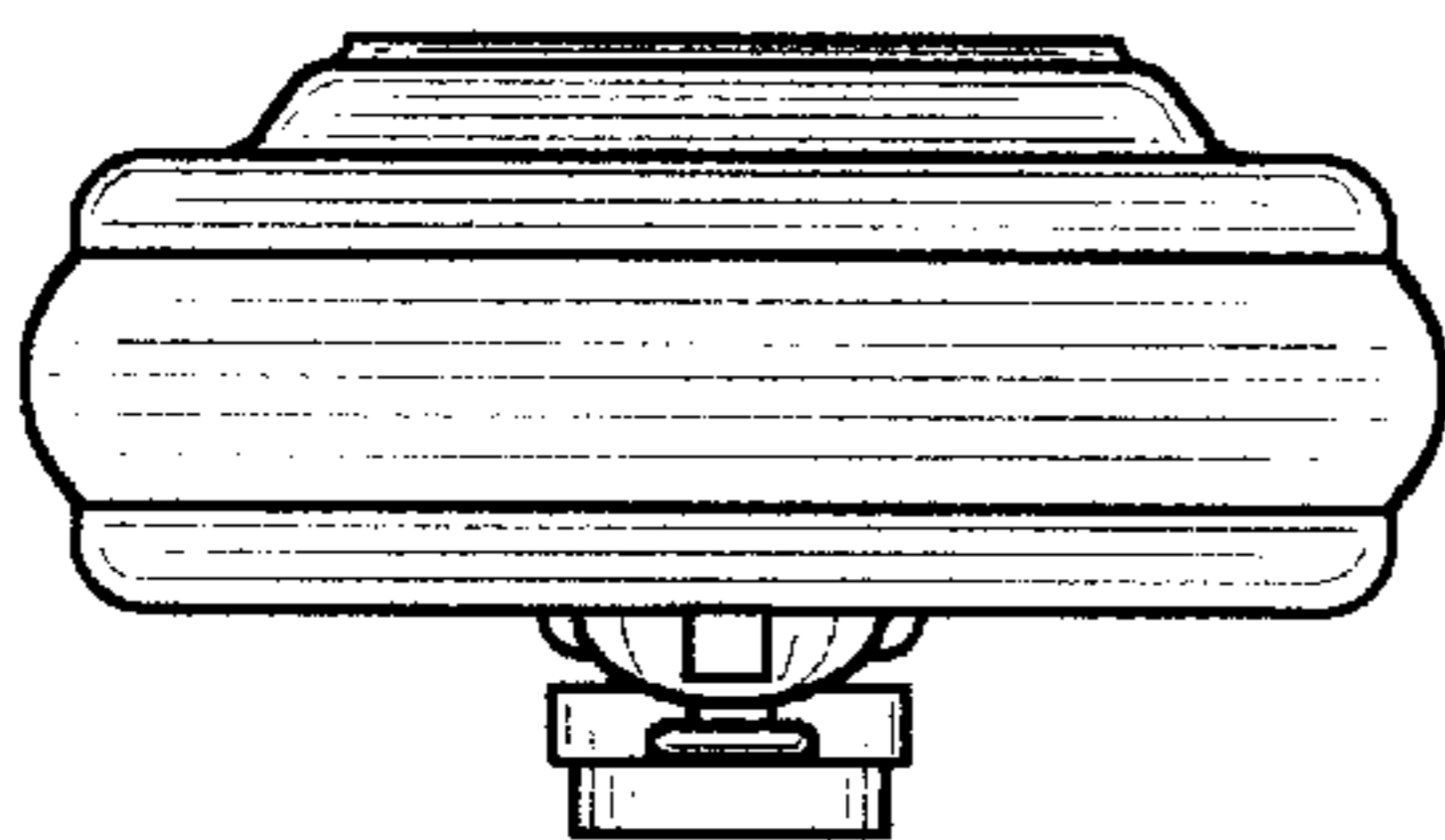


Fig. 5

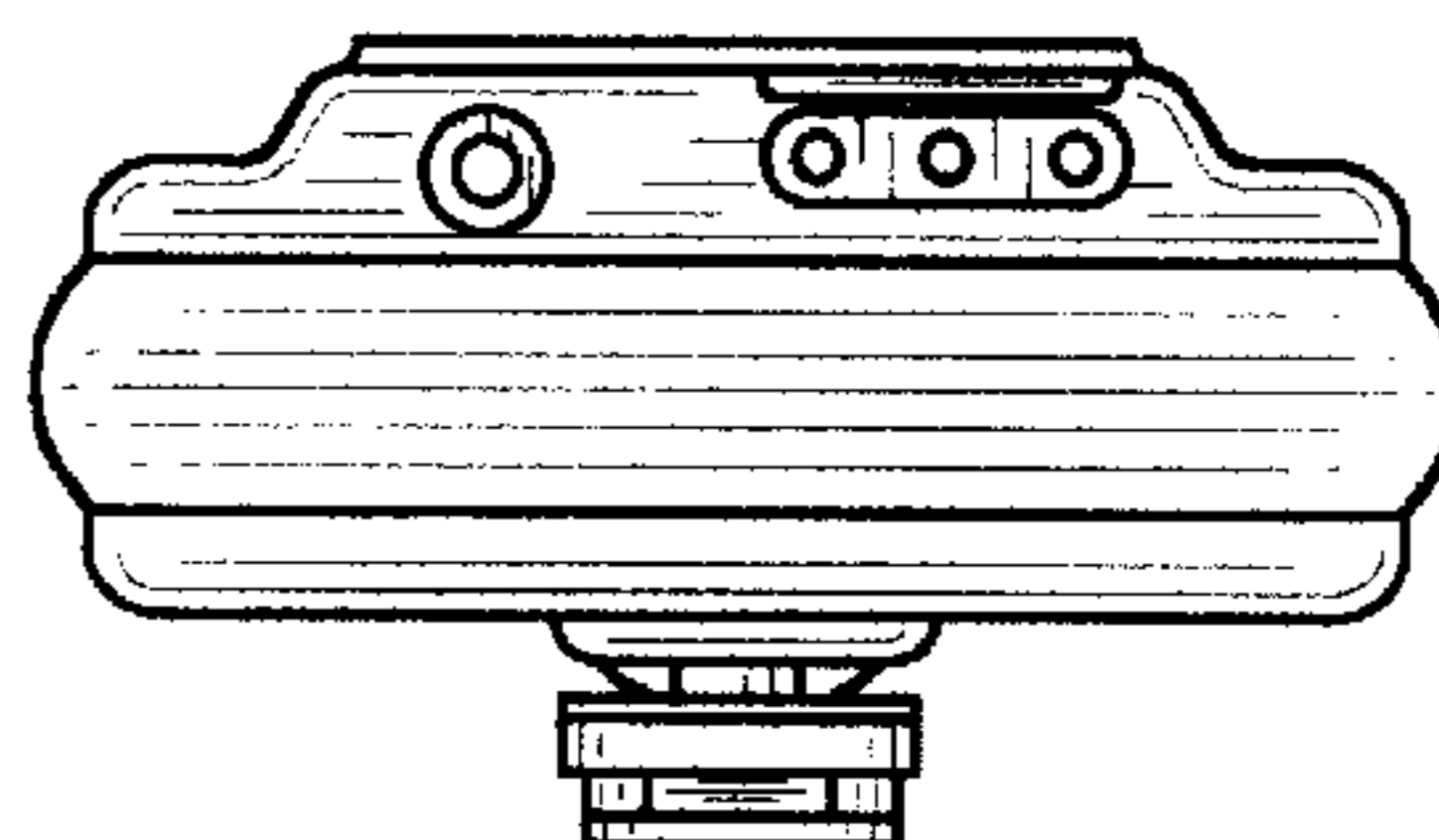


Fig. 6

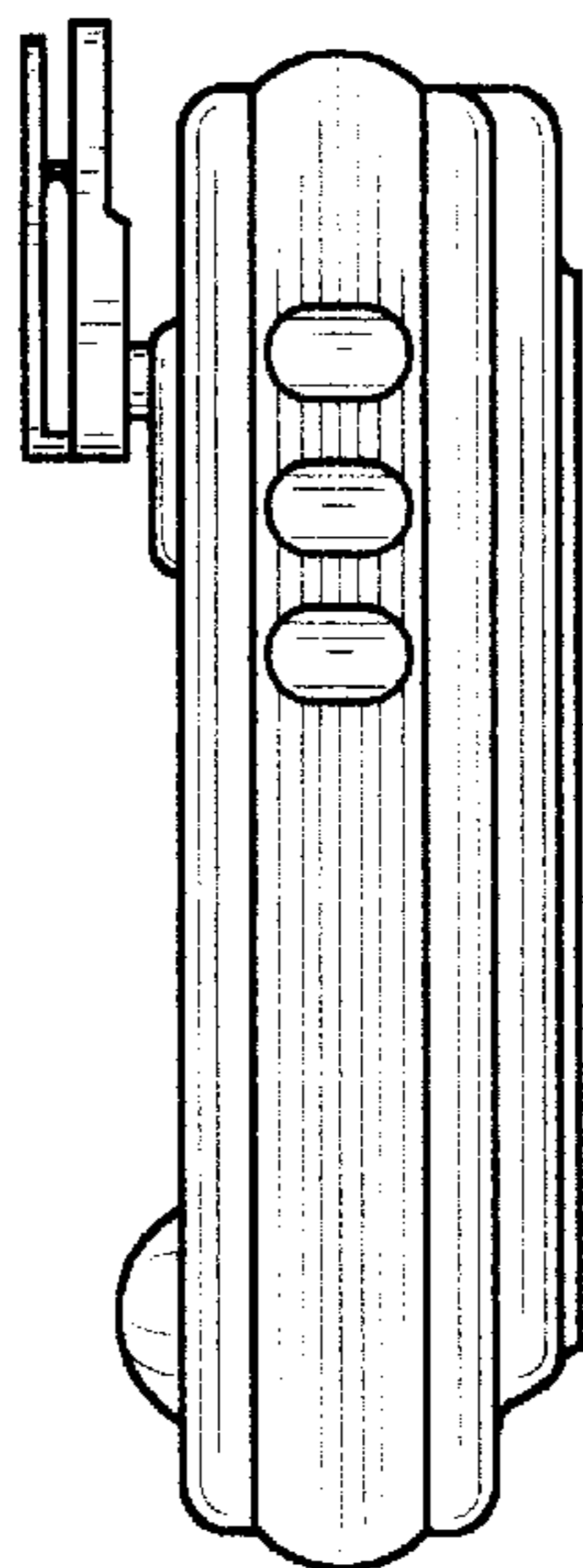


Fig. 7

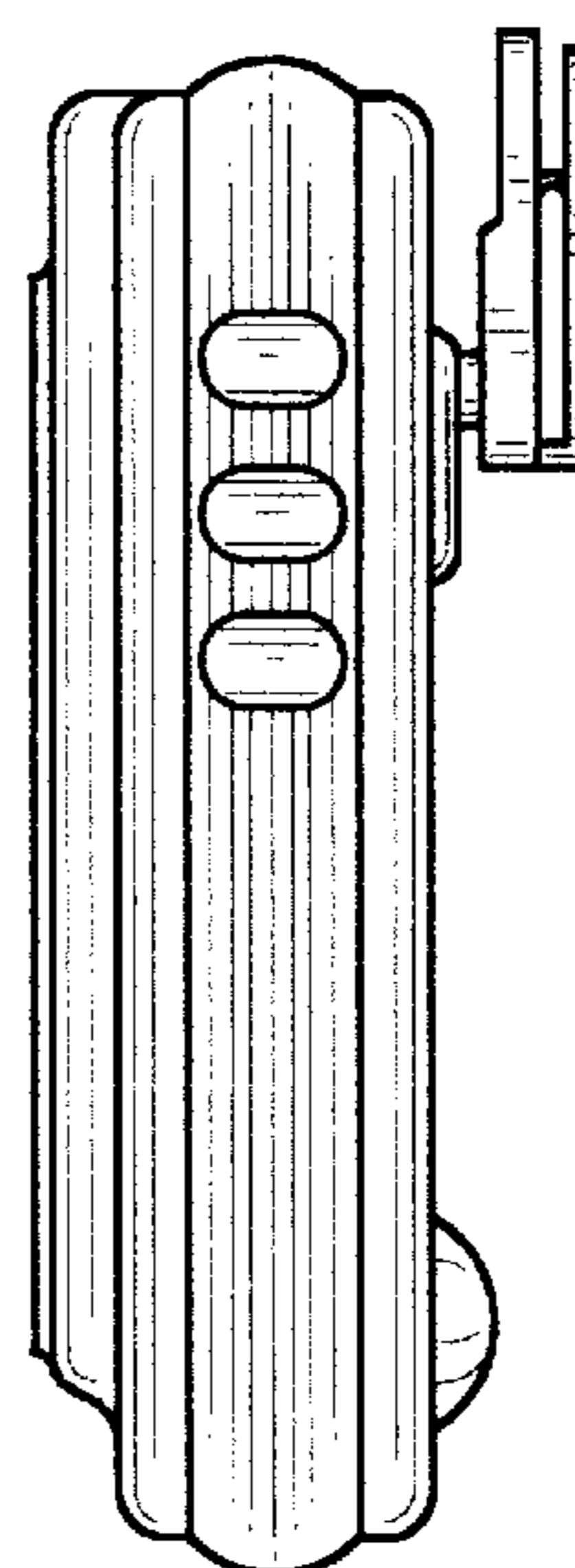


Fig. 8