



US00D439340S

(12) **United States Design Patent**  
**Michelson**

(10) **Patent No.:** **US D439,340 S**

(45) **Date of Patent:** **\*\* Mar. 20, 2001**

(54) **END CAP FOR A SPINAL IMPLANT**

(76) Inventor: **Gary K. Michelson**, 438 Sherman Canal, Venice, CA (US) 90291

(\*\*) Term: **14 Years**

(21) Appl. No.: **29/116,468**

(22) Filed: **Jan. 3, 2000**

(51) **LOC (7) Cl.** ..... **24-03**

(52) **U.S. Cl.** ..... **D24/155**

(58) **Field of Search** ..... D24/135, 155;  
606/72, 69, 60, 220

(56) **References Cited**

**U.S. PATENT DOCUMENTS**

D. 374,482	*	10/1996	Goble et al.	.....	D24/135
D. 397,439		8/1998	Koros et al.	.	
D. 425,989		5/2000	Michelson	.	
B1 496,740		1/1997	Ray et al.	.	
4,501,269		2/1985	Bagby	.	
4,961,740		10/1990	Ray et al.	.	
5,026,373		6/1991	Ray et al.	.	
5,522,899		6/1996	Michelson	.	
5,776,196		7/1998	Matsuzaki et al.	.	

\* cited by examiner

*Primary Examiner*—Antoine Duval Davis

(74) *Attorney, Agent, or Firm*—Martin & Ferraro, LLP

(57) **CLAIM**

The ornamental design for an end cap for a spinal implant, substantially as shown and described.

**DESCRIPTION**

FIG. 1 is a perspective view of the end cap for a spinal implant in accordance with a first embodiment of my claimed design with the remainder of the implant shown in hidden line and forming no part of the claimed design; FIG. 2 is an exterior end view of the end cap of FIG. 1; FIG. 3 is a side elevational view of the end cap of FIG. 1; FIG. 4 is an interior end view of the end cap of FIG. 1;

FIG. 5 is a perspective view of the end cap for a spinal implant in accordance with a second embodiment of my claimed design with the remainder of the implant shown in hidden line and forming no part of the claimed design; FIG. 6 is an exterior end view of the end cap of FIG. 5; FIG. 7 is an interior end view of the end cap of FIG. 5; FIG. 8 is a side elevational view of the end cap of FIG. 5; FIG. 9 is an interior end view of an alternative embodiment of either of the end caps of FIGS. 1 and 5; FIG. 10 is a side elevational view of an alternative embodiment of either of the end caps of FIGS. 1 and 5; FIG. 11 is a perspective view of the end cap for a spinal implant in accordance with a third embodiment of my claimed design with the remainder of the implant shown in hidden line and forming no part of the claimed design; FIG. 12 is an exterior end view of the end cap of FIG. 11; FIG. 13 is a side elevational view of the end cap of FIG. 11; FIG. 14 is an interior end view of the end cap of FIG. 11; FIG. 15 is a perspective view of the end cap for a spinal implant in accordance with a fourth embodiment of my claimed design with the remainder of the implant shown in hidden line and forming no part of the claimed design; FIG. 16 is an exterior end view of the end cap of FIG. 15; FIG. 17 is an interior end view of the end cap of FIG. 15; FIG. 18 is a side elevational view of the end cap of FIG. 15; FIG. 19 is an interior end view of an alternative embodiment of either of the end caps of FIGS. 11 and 15; FIG. 20 is a side elevational view of an alternative embodiment of either of the end caps of FIGS. 11 and 15; FIG. 21 is a perspective view of the end cap for a spinal implant in accordance with a fifth embodiment of my claimed design with the remainder of the implant shown in hidden line and forming no part of the claimed design; FIG. 22 is an exterior end view of the end cap of FIG. 21; FIG. 23 is a side elevational view of the end cap of FIG. 21; FIG. 24 is an interior end view of the end cap of FIG. 21; FIG. 25 is a perspective view of the end cap for a spinal implant in accordance with a sixth embodiment of my claimed design with the remainder of the implant shown in hidden line and forming no part of the claimed design; FIG. 26 is an exterior end view of the end cap of FIG. 25; FIG. 27 is an interior end view of FIG. 25;

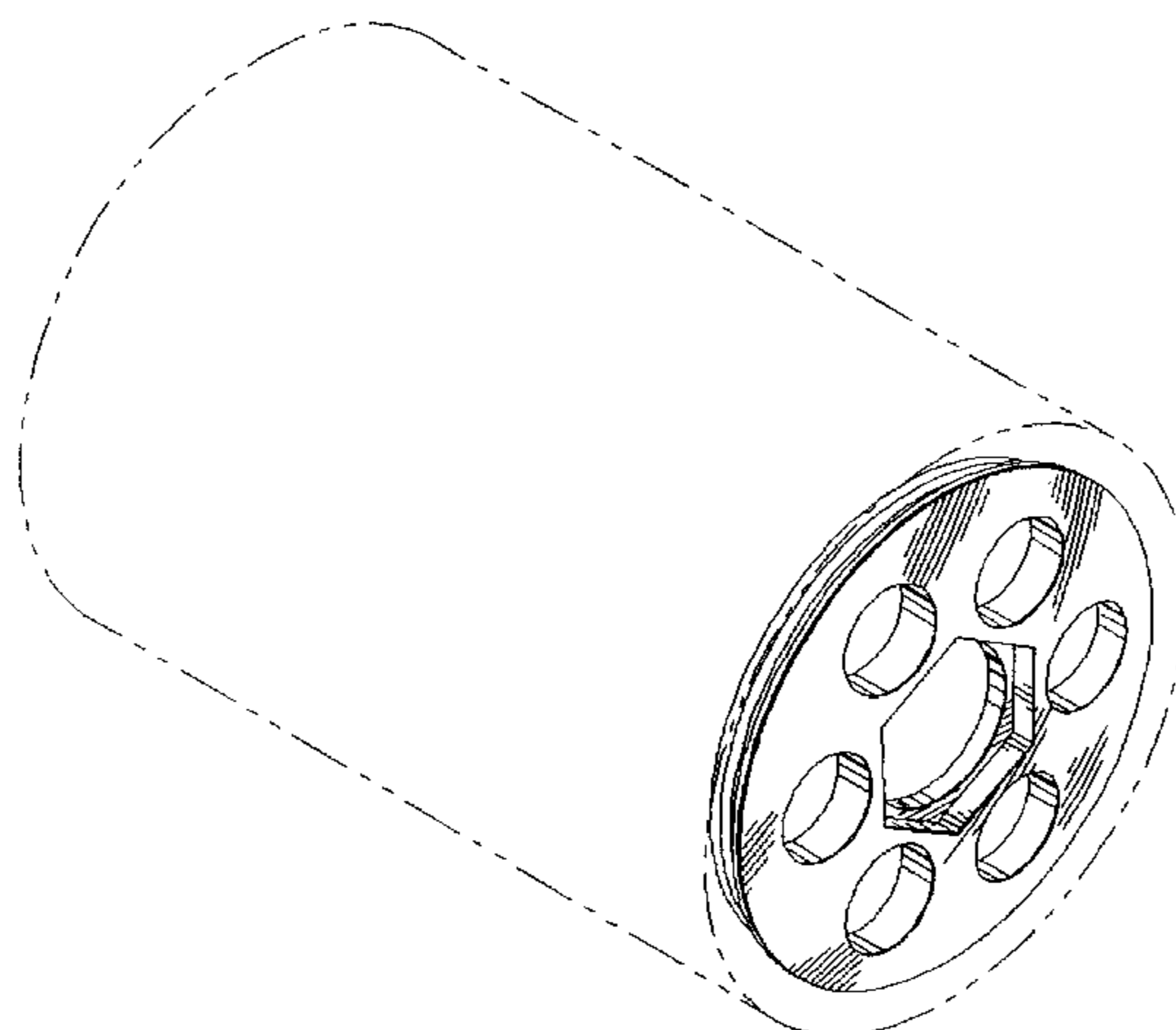


FIG. 28 is a side elevational view of the end cap of FIG. 25; FIG. 29 is an interior end view of an alternative embodiment of either of the end caps of FIGS. 21 and 25;

FIG. 30 is a side elevational view of an alternative embodiment of either of the end caps of FIGS. 21 and 25;

FIG. 31 is a perspective view of the end cap for a spinal implant in accordance with a seventh embodiment of my claimed design with the remainder of the implant shown in hidden line and forming no part of the claimed design;

FIG. 32 is an exterior end view of the end cap of FIG. 31;

FIG. 33 is a side elevational view of the end cap of FIG. 31;

FIG. 34 is an interior end view of the end cap of FIG. 31;

FIG. 35 is a perspective view of the end cap for a spinal implant in accordance with an eighth embodiment of my

claimed design with the remainder of the implant shown in hidden line and forming no part of the claimed design;

FIG. 36 is an exterior end view of the end cap of FIG. 35;

FIG. 37 is an interior end view of FIG. 35;

FIG. 38 is a side elevational view of the end cap of FIG. 35;

FIG. 39 is an interior end view of an alternative embodiment of either of the end caps of FIGS. 31 and 35; and,

FIG. 40 is a side elevational view of an alternative embodiment of either of the end caps of FIGS. 31 and 35.

**1 Claim, 16 Drawing Sheets**

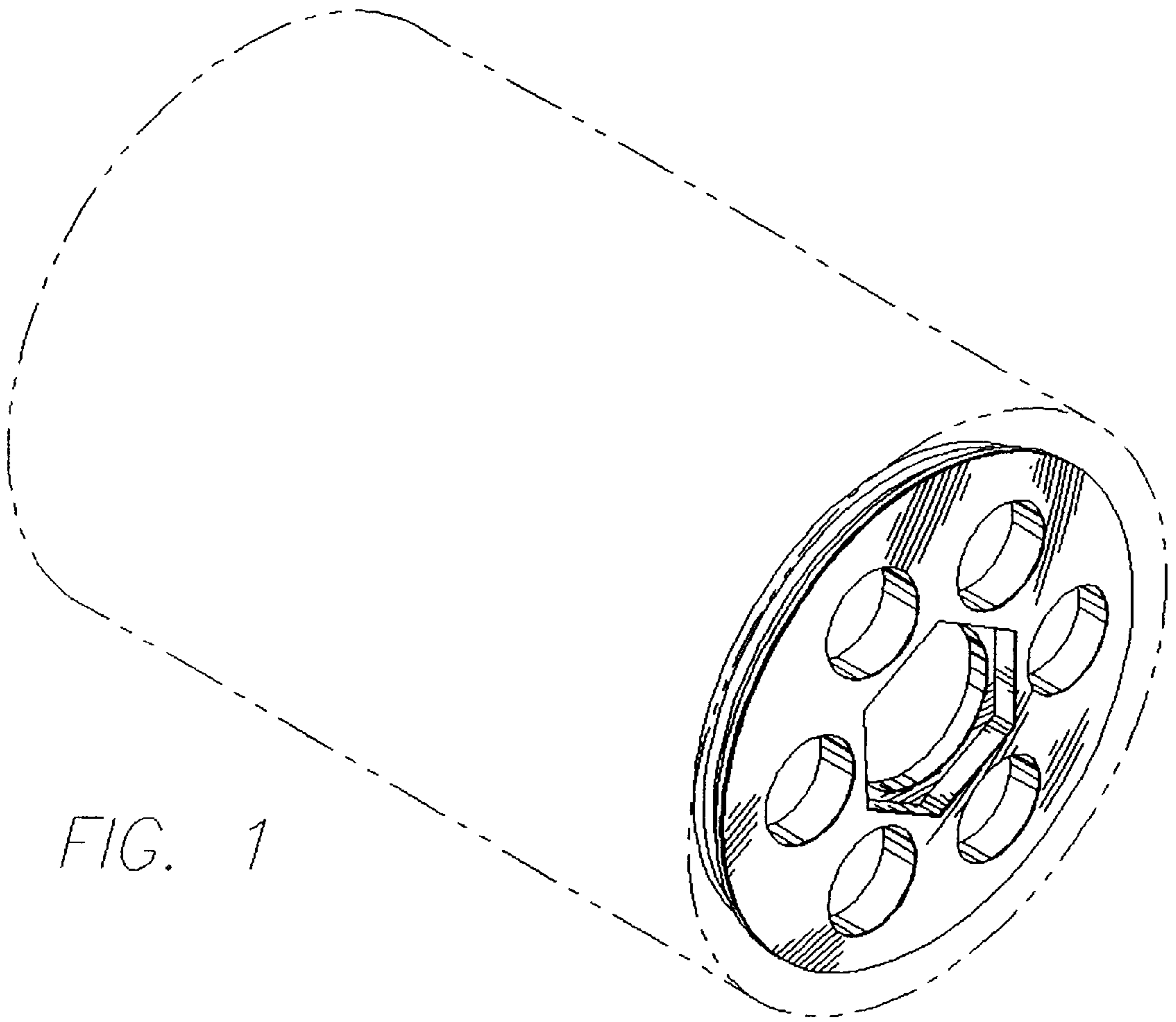


FIG. 1

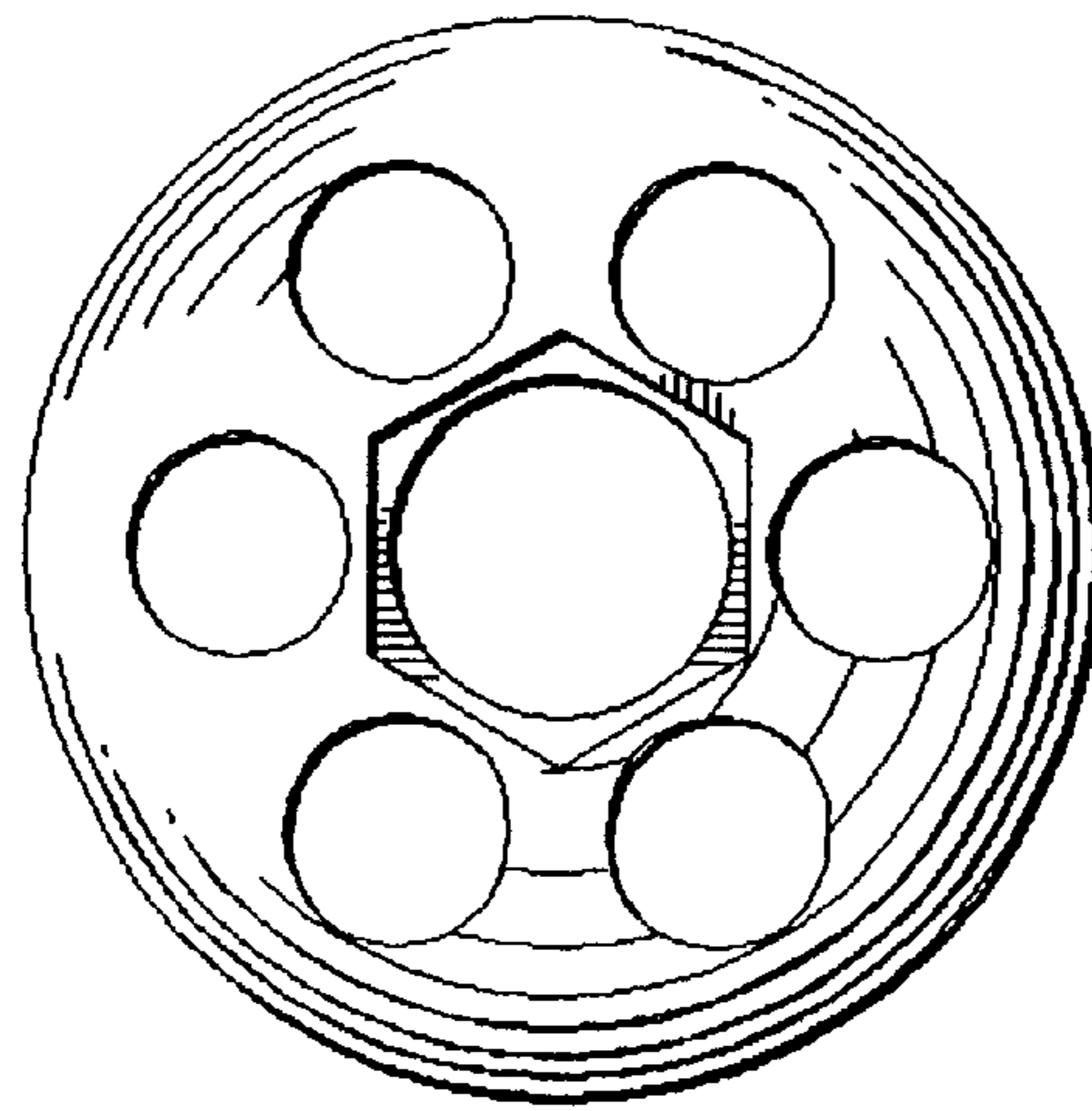


FIG. 2

FIG. 3

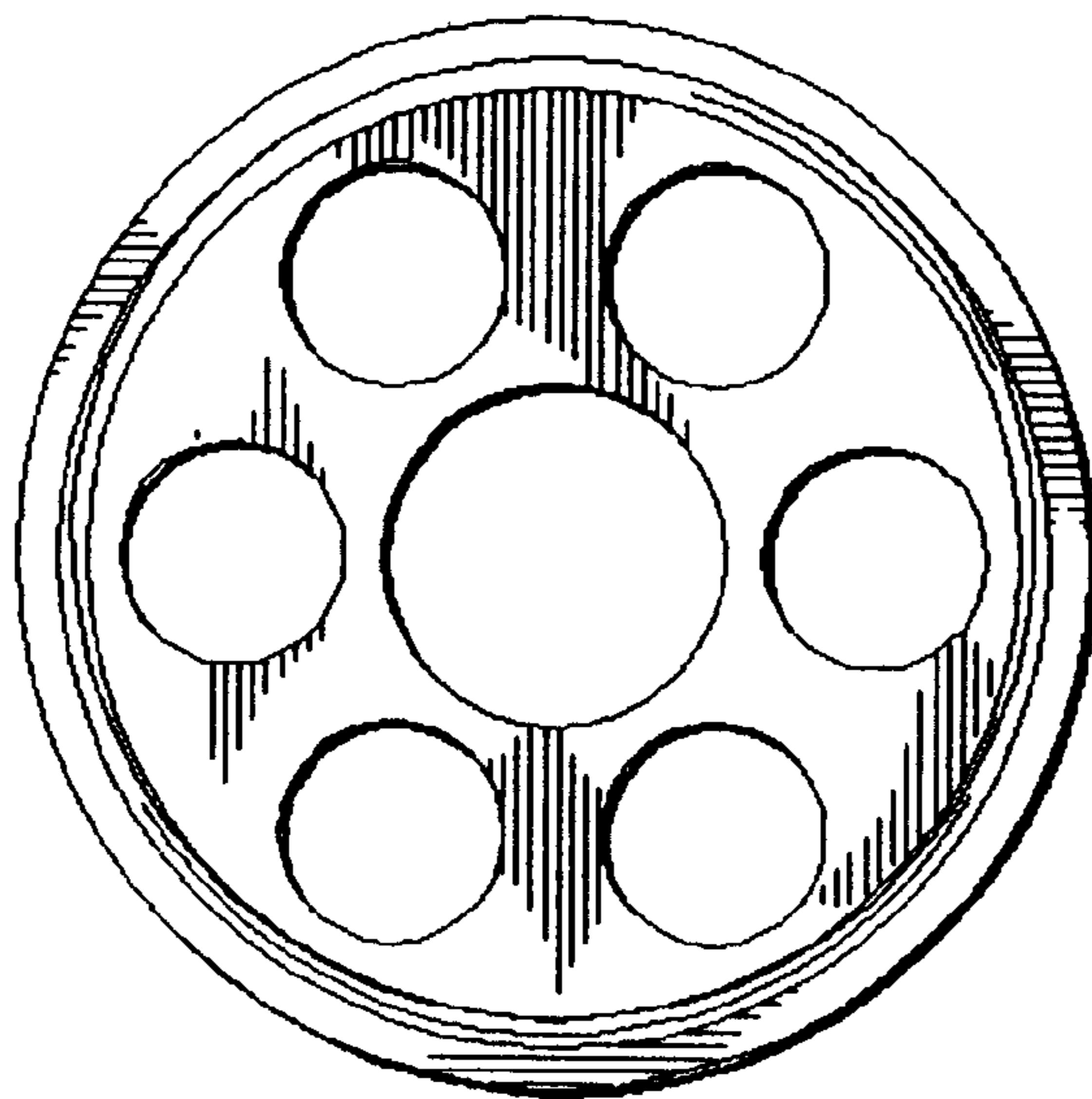


FIG. 4



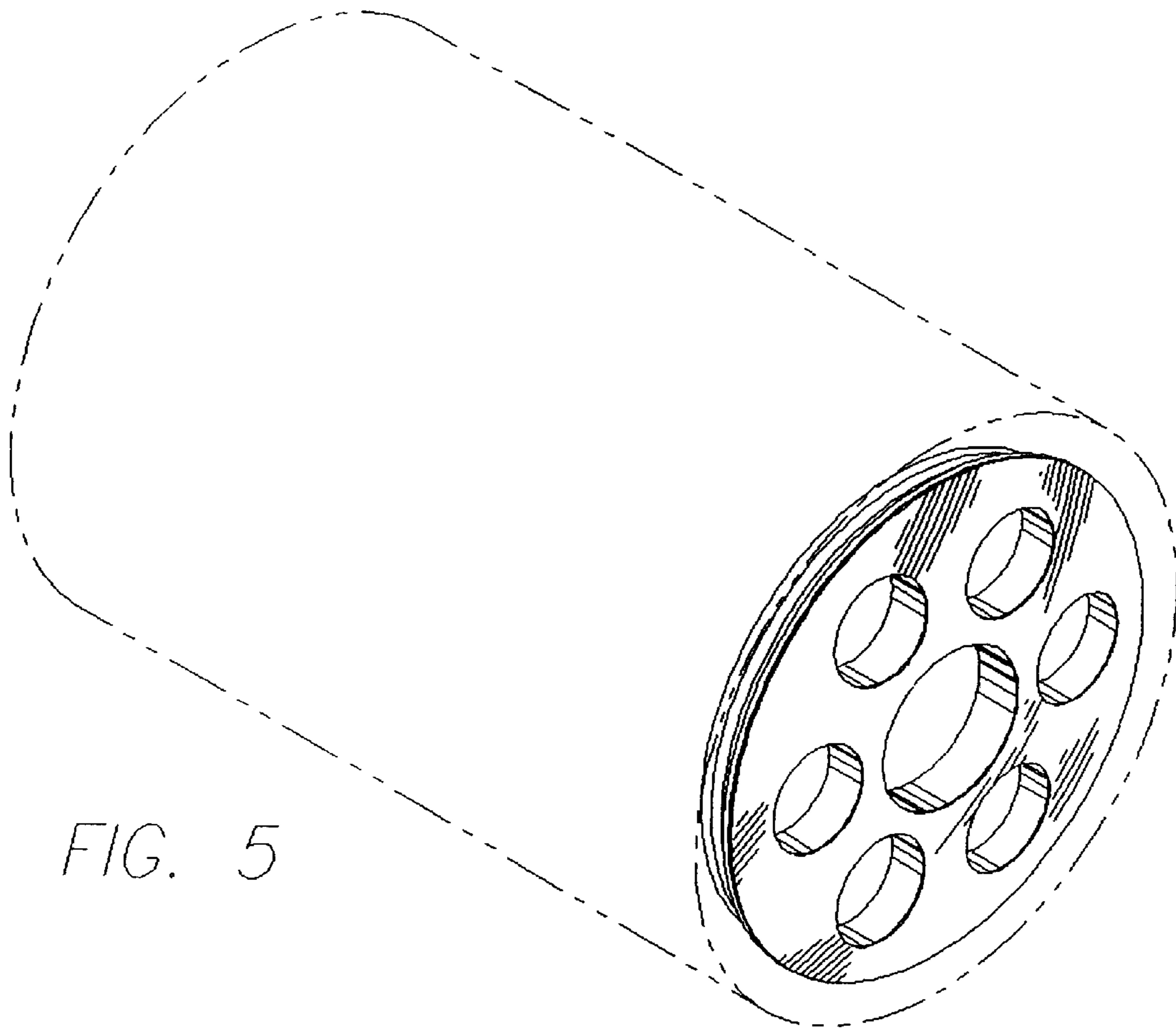


FIG. 5

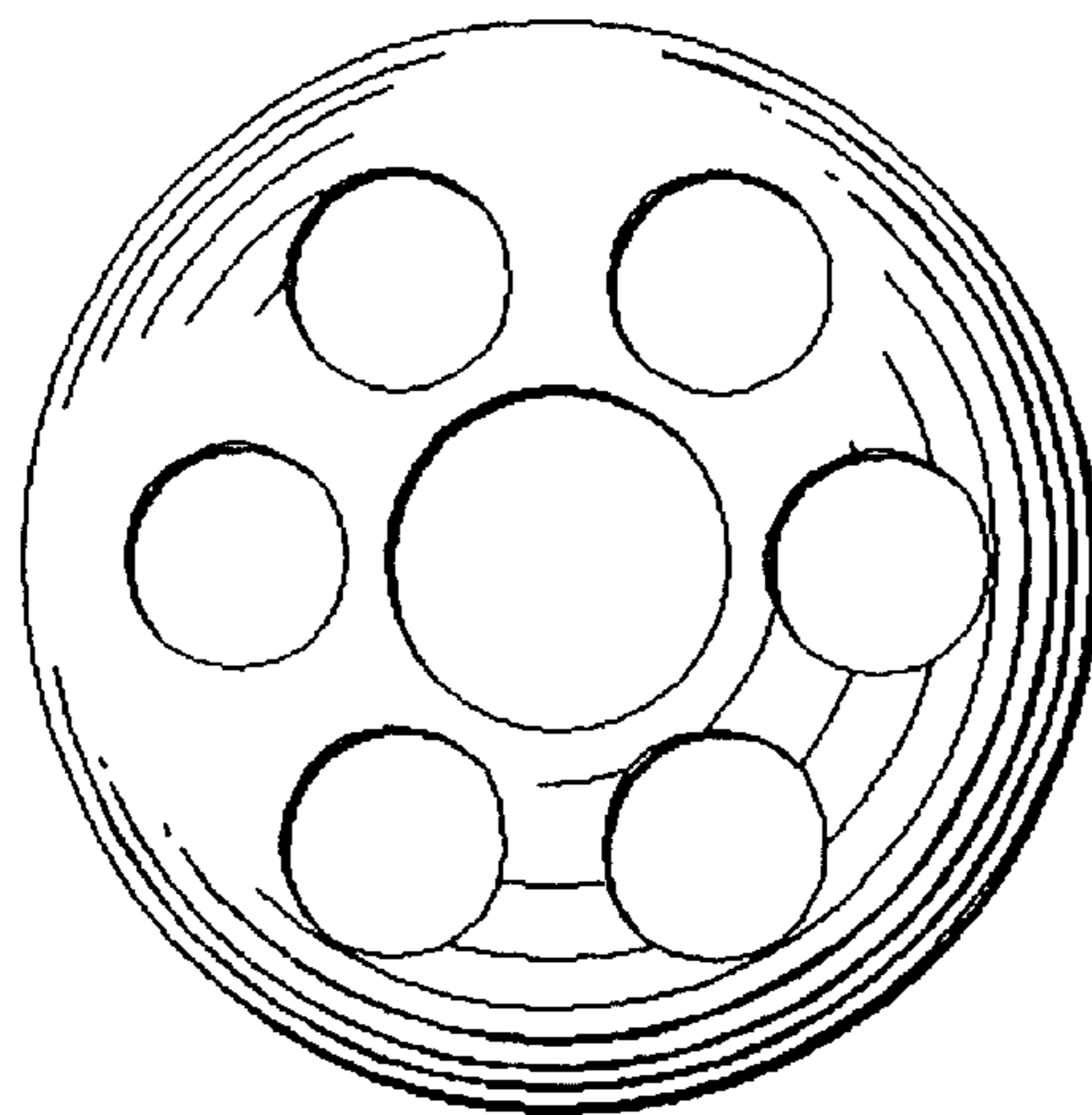


FIG. 6

FIG. 7

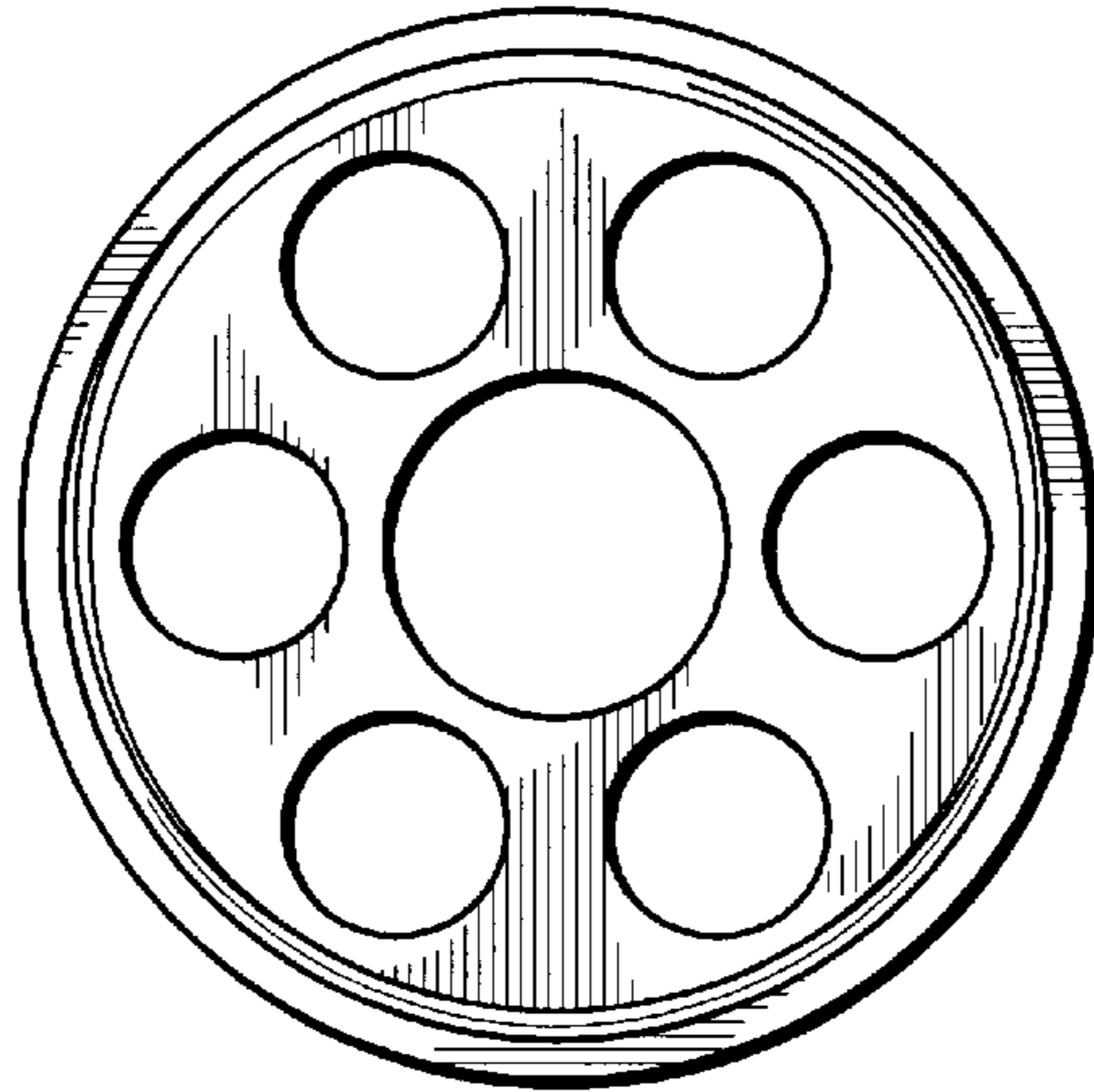


FIG. 8



FIG. 9

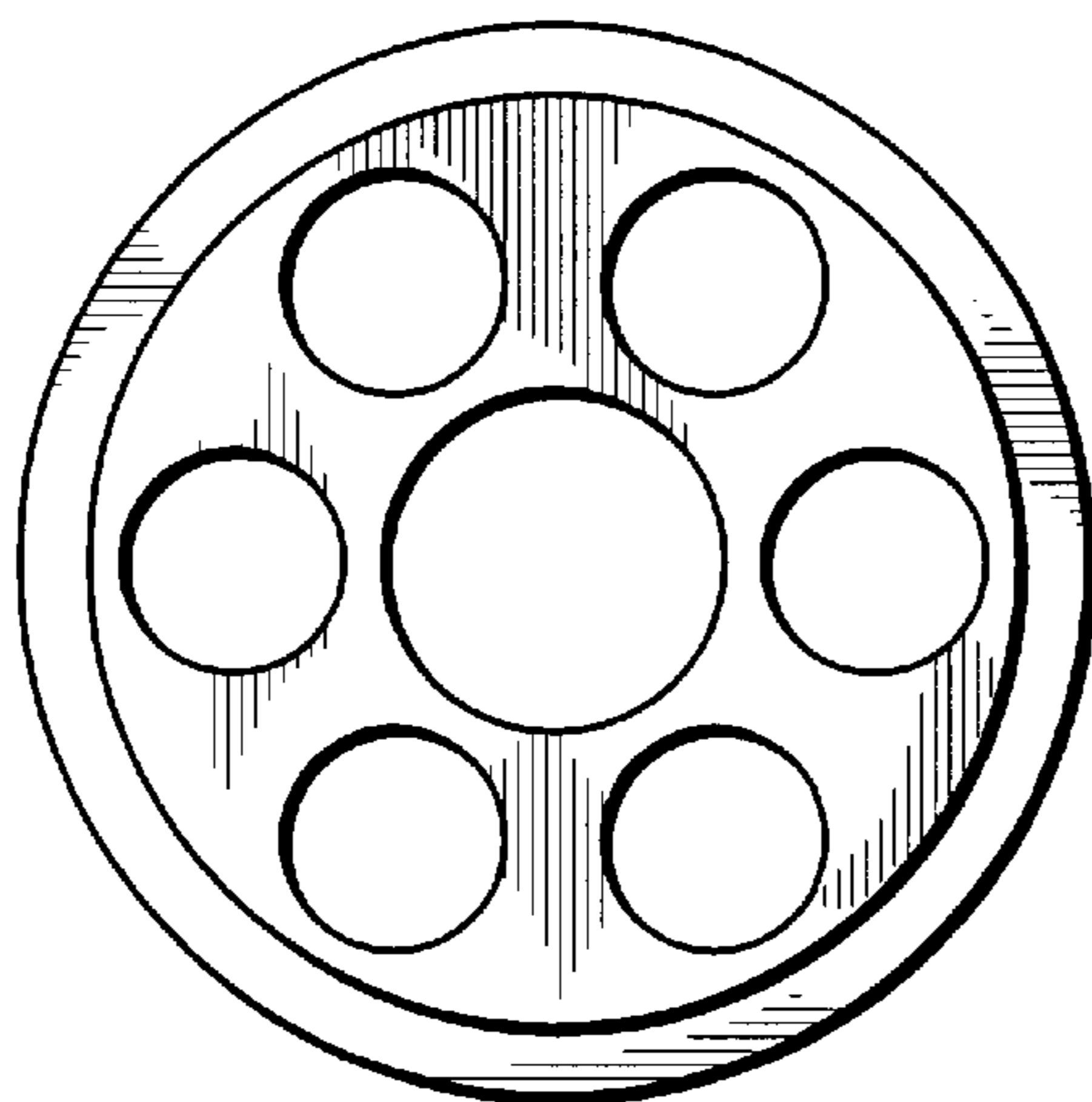
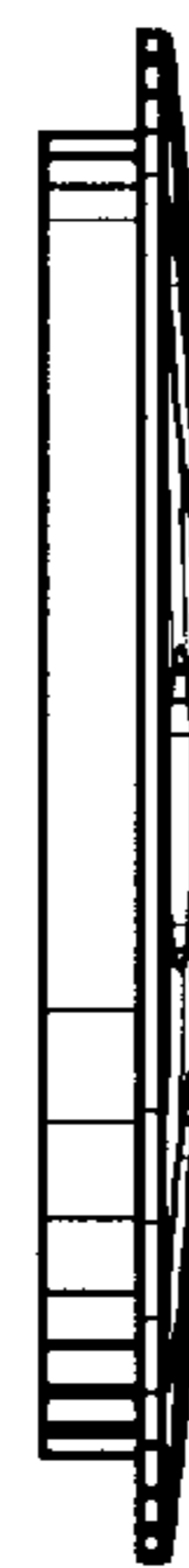


FIG. 10



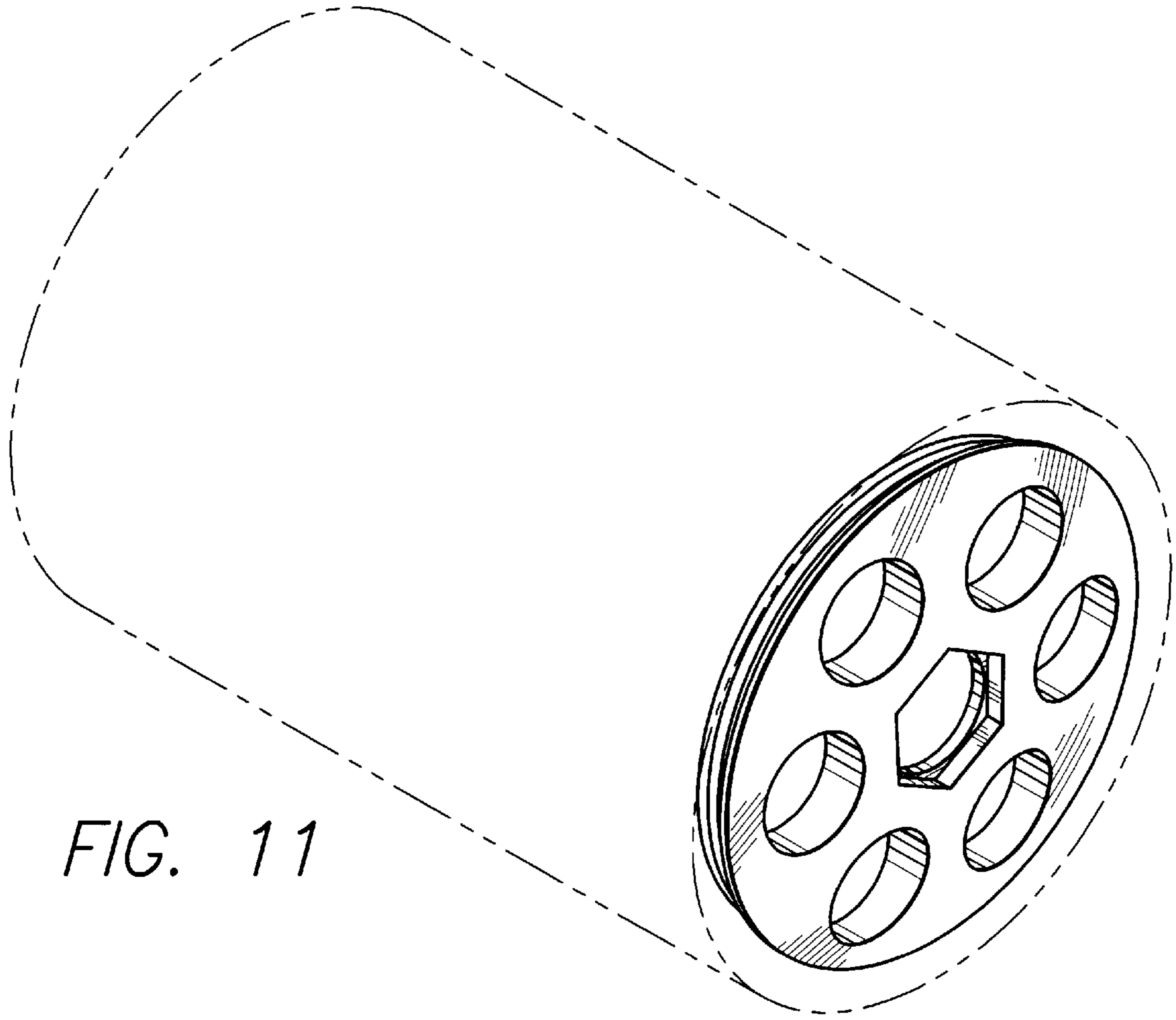


FIG. 11

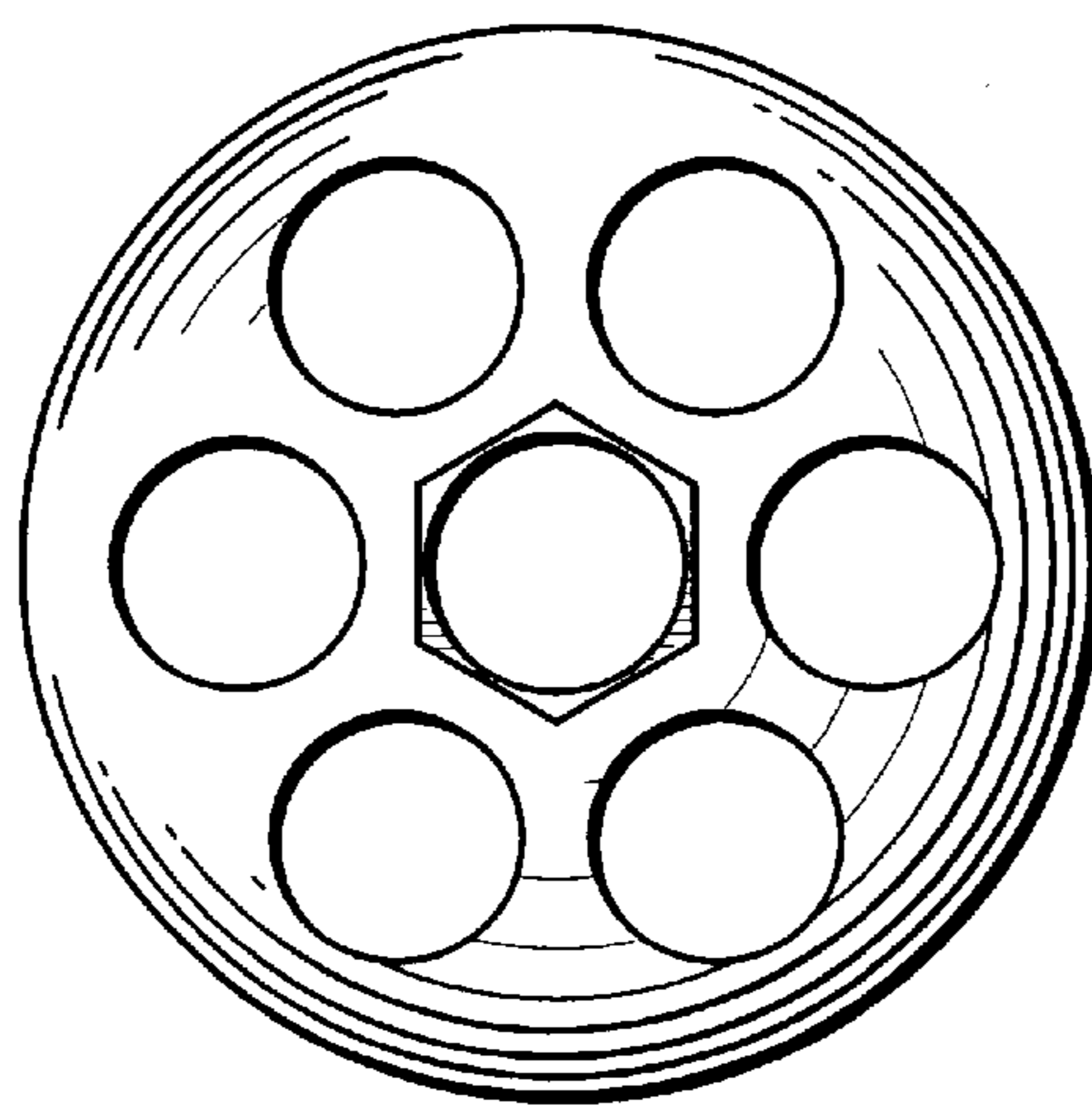
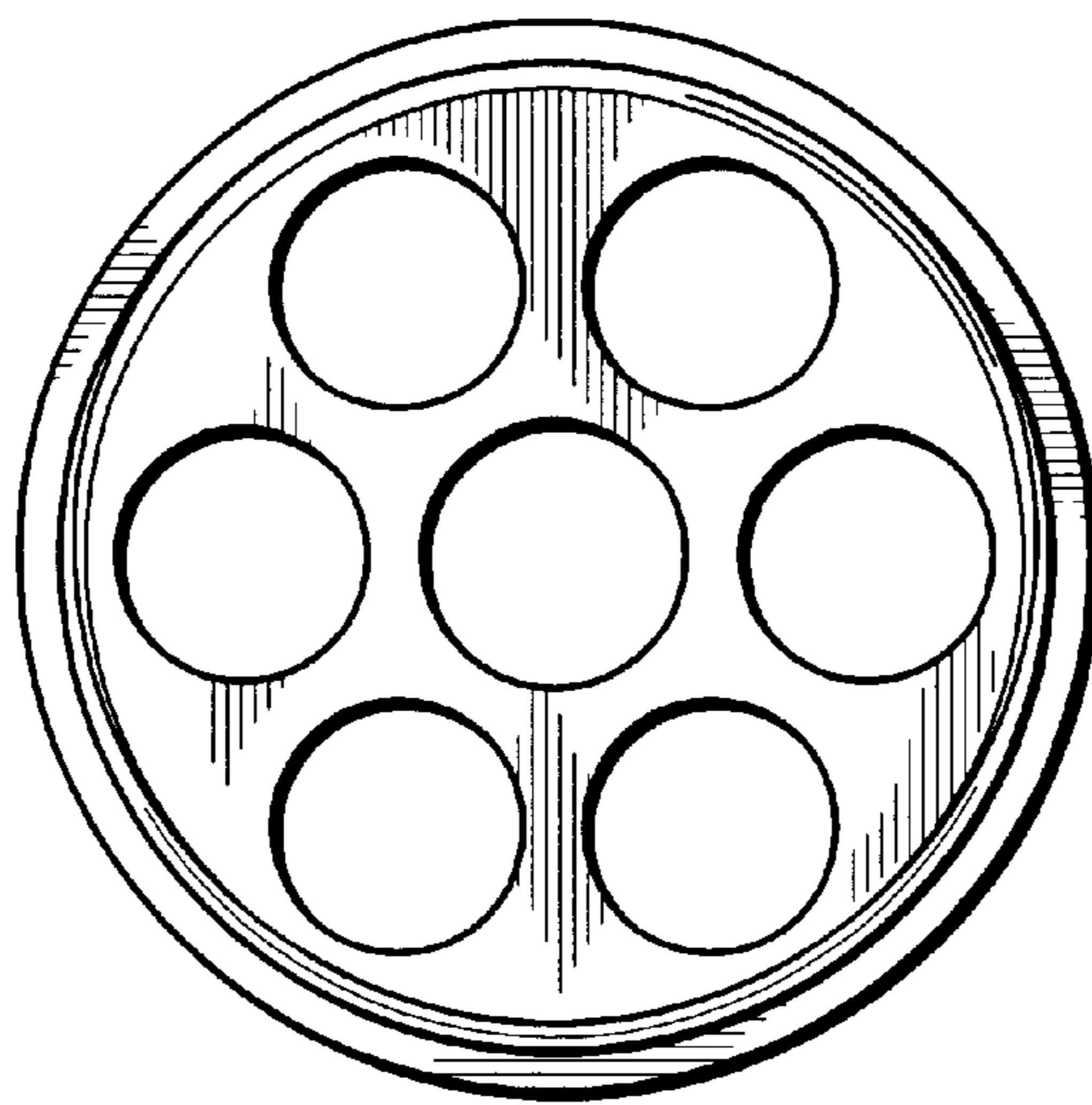
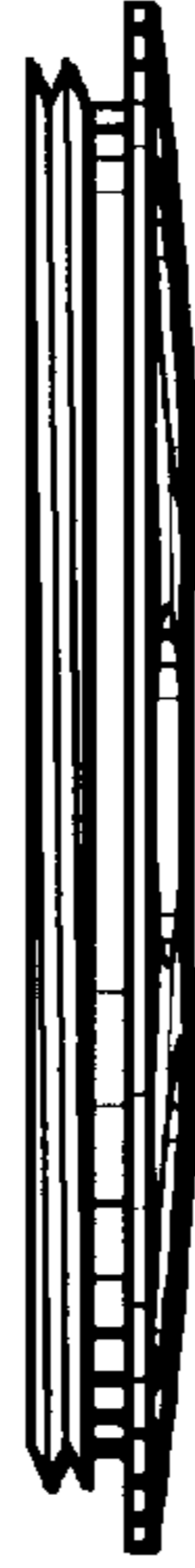


FIG. 12

*FIG. 13*



*FIG. 14*



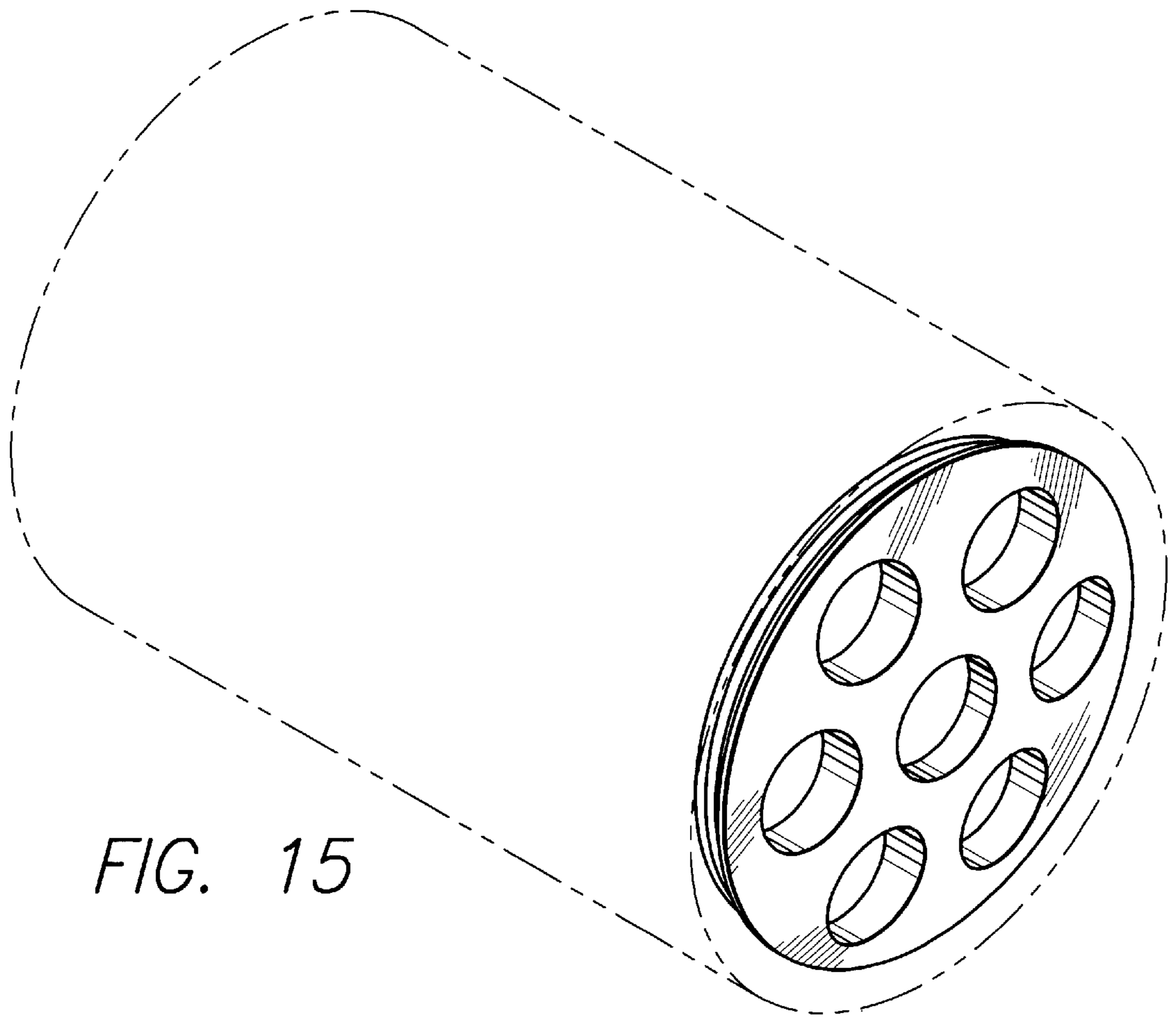


FIG. 15

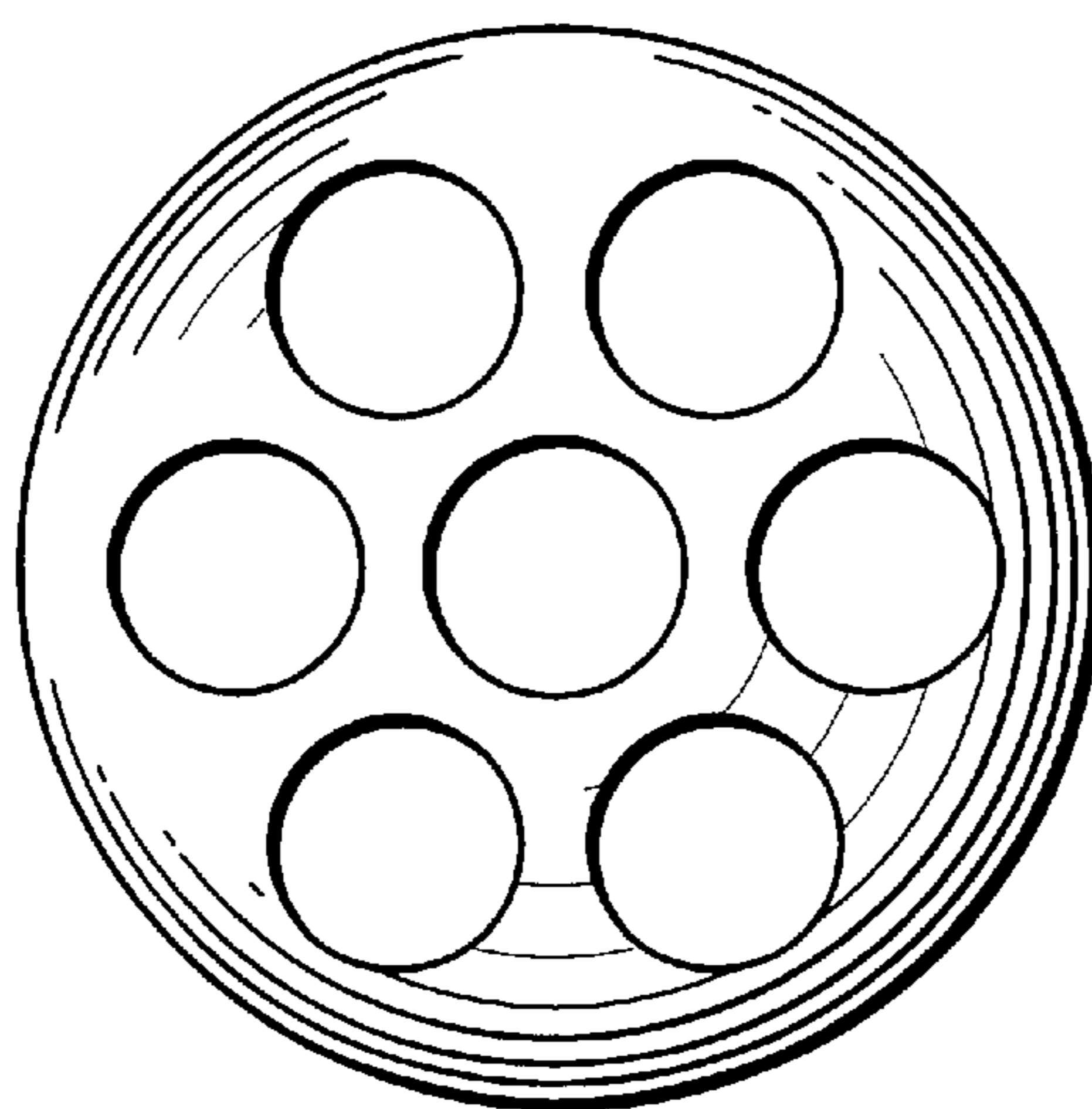


FIG. 16

FIG. 17

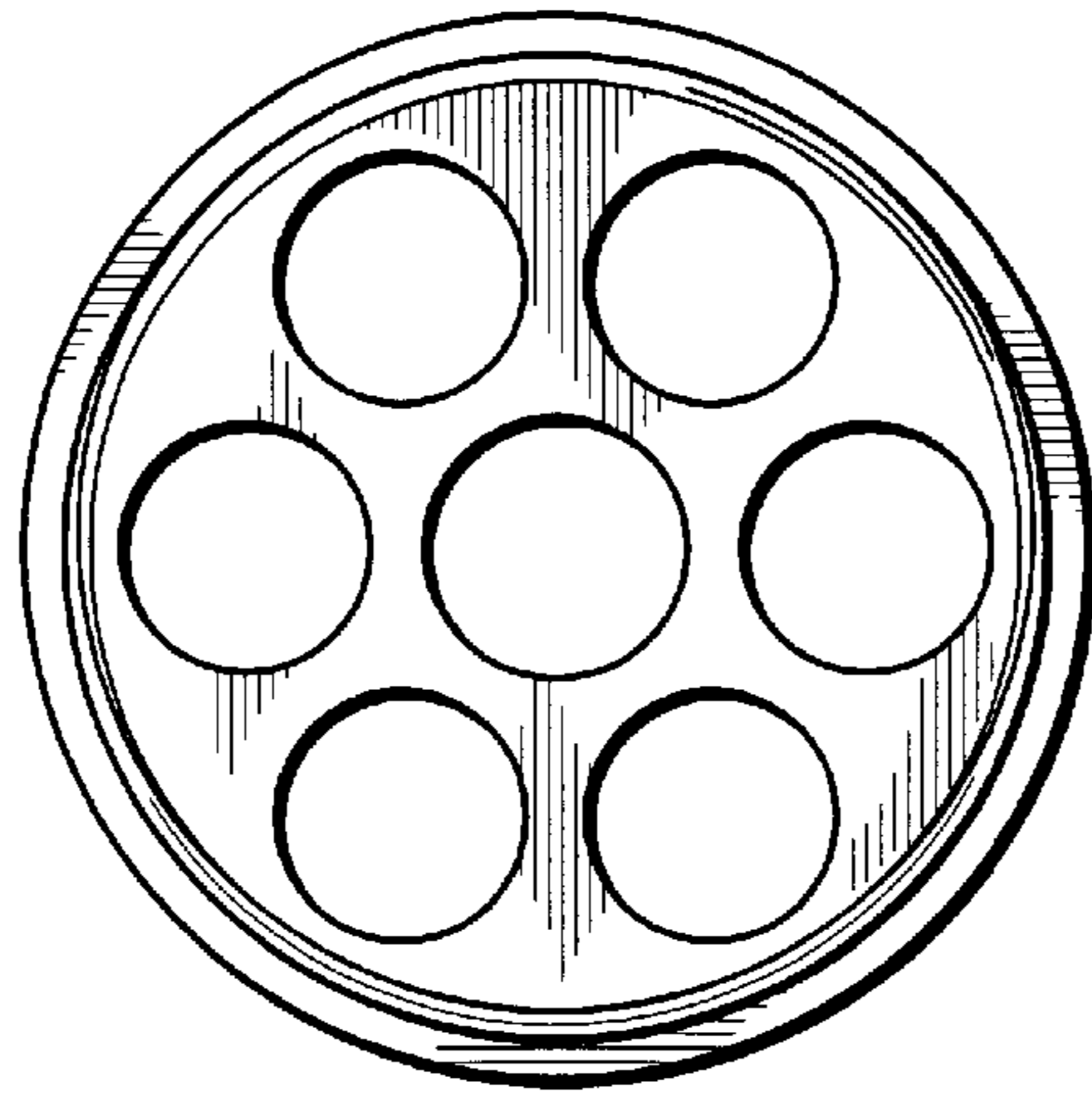


FIG. 18



FIG. 19

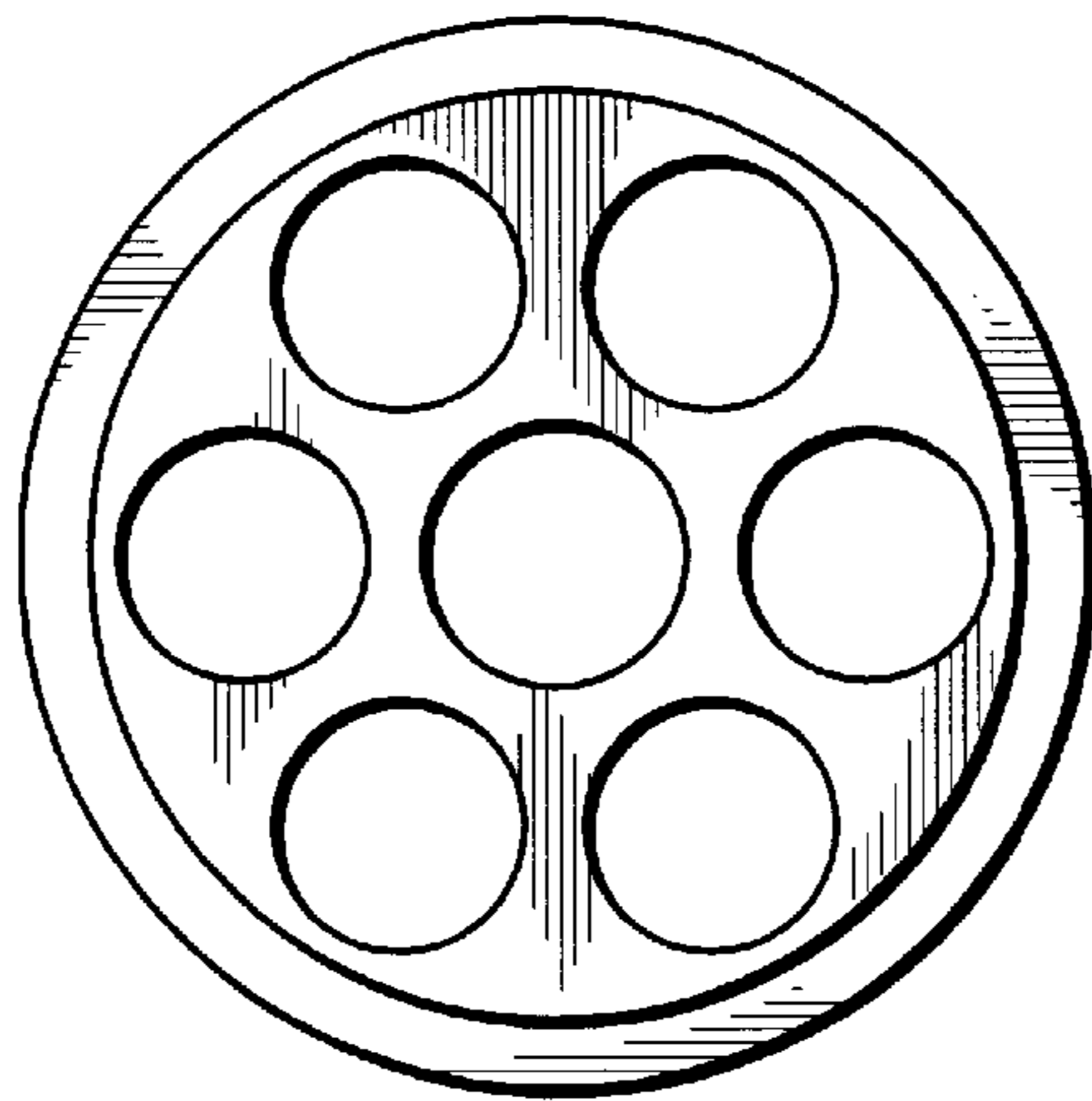


FIG. 20



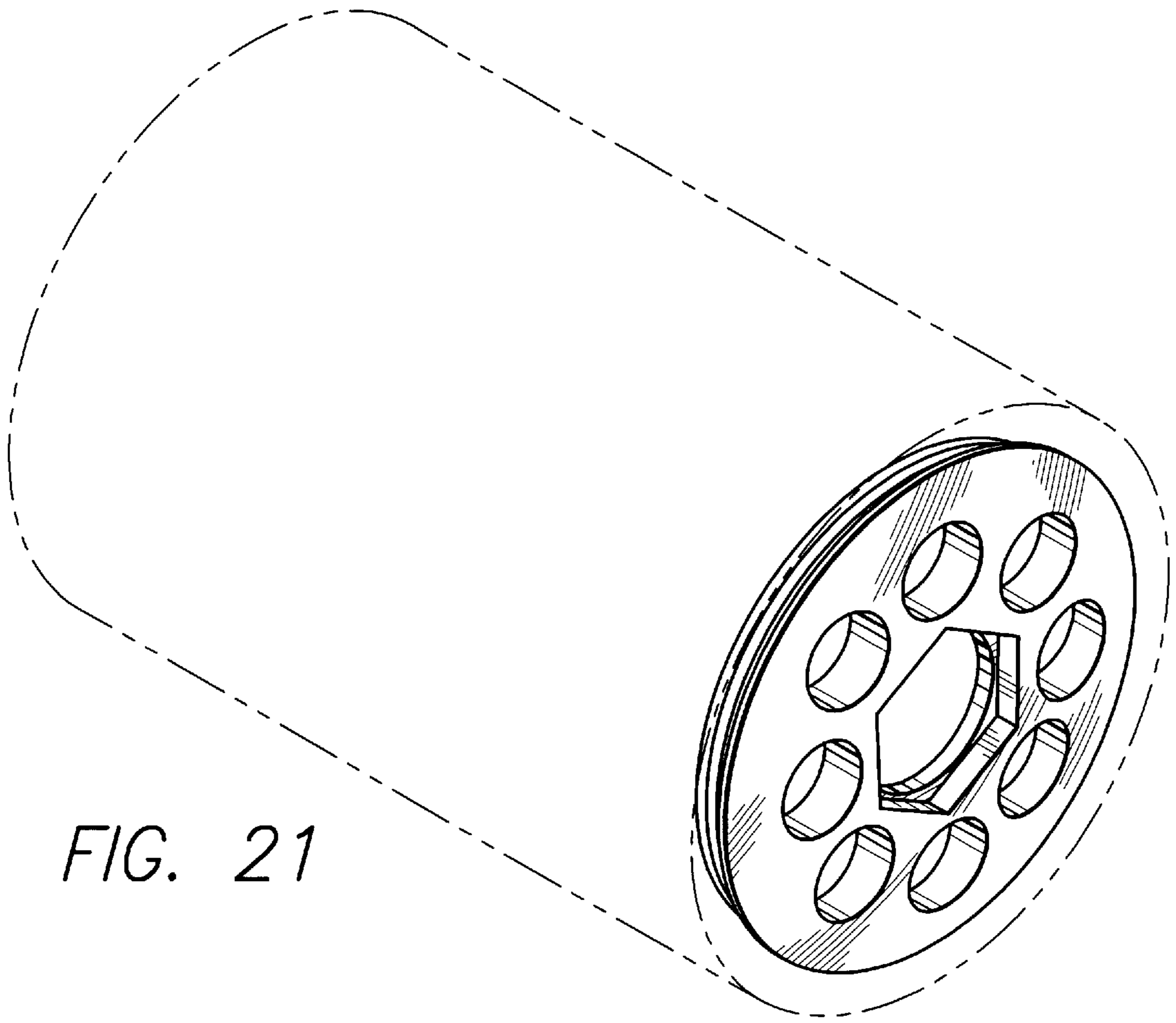


FIG. 21

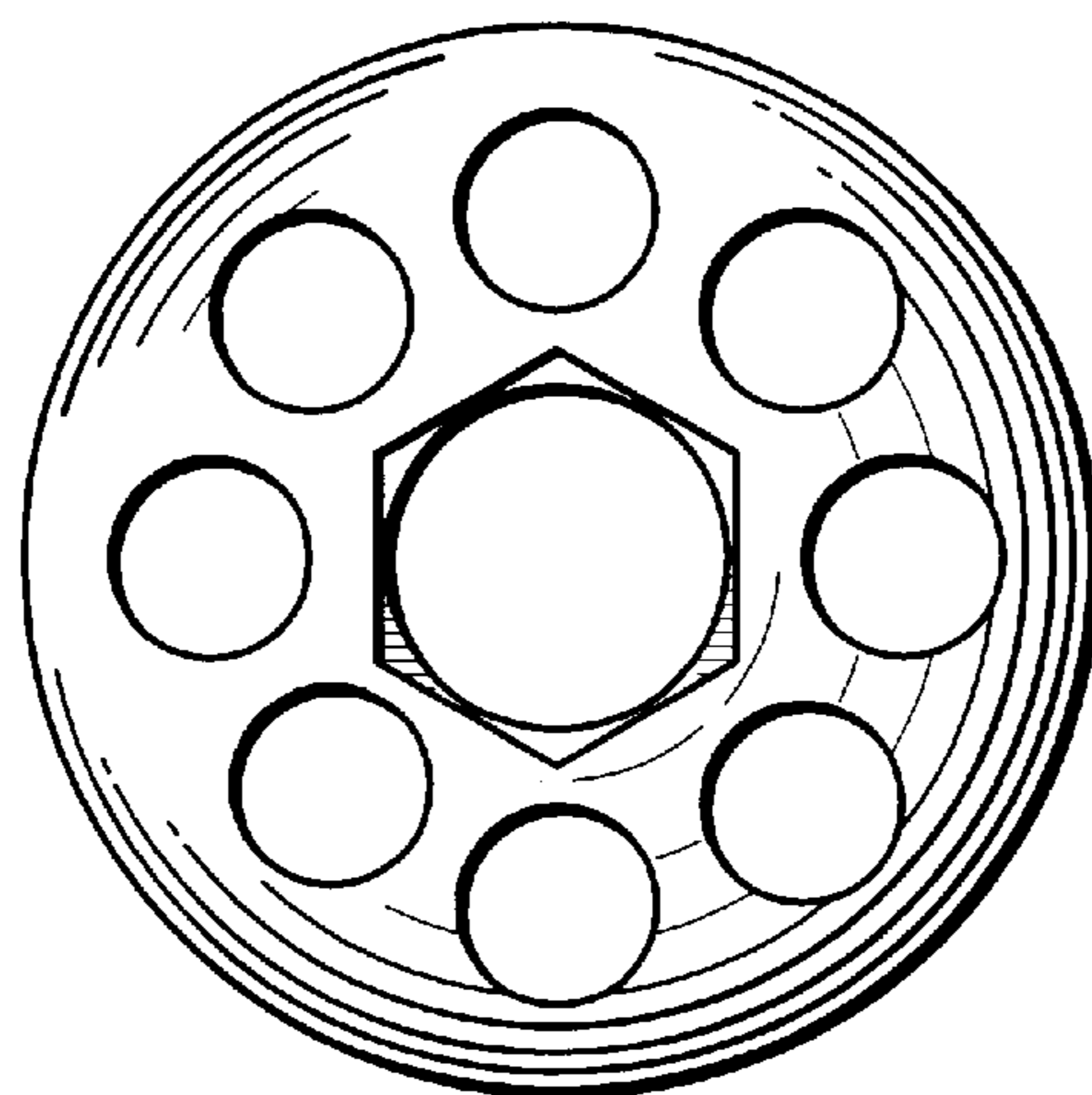
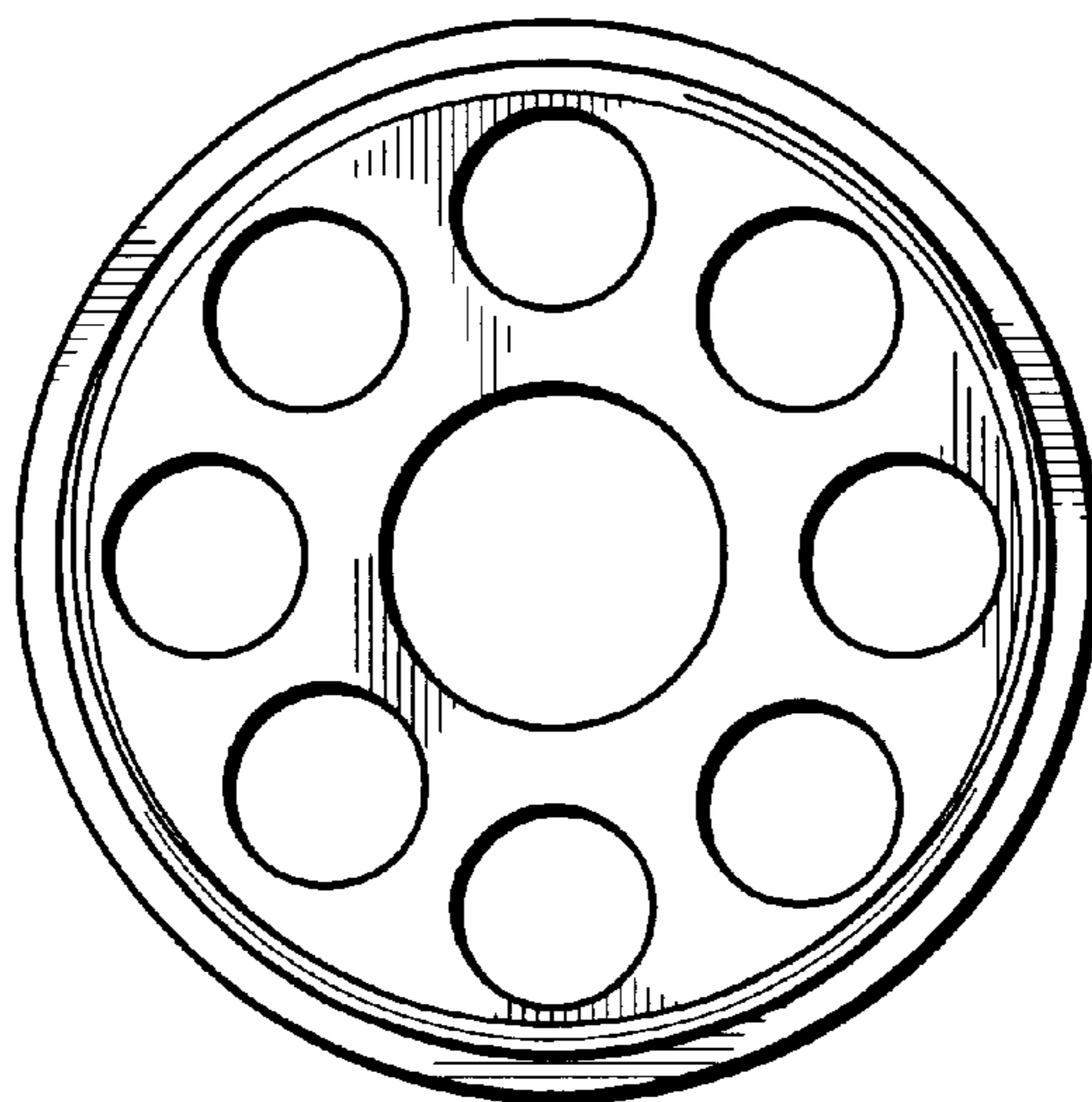


FIG. 22

*FIG. 23*



*FIG. 24*

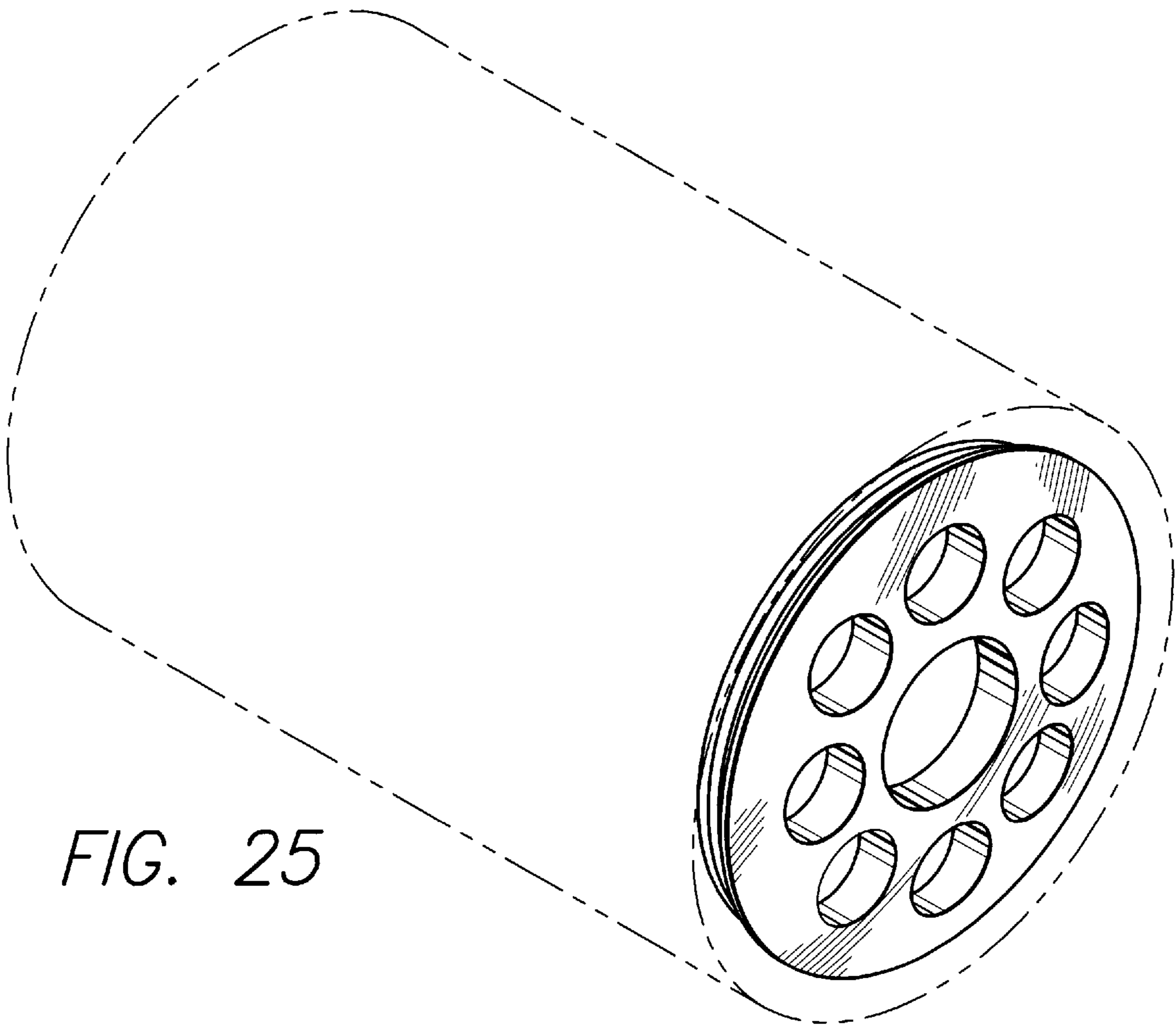


FIG. 25

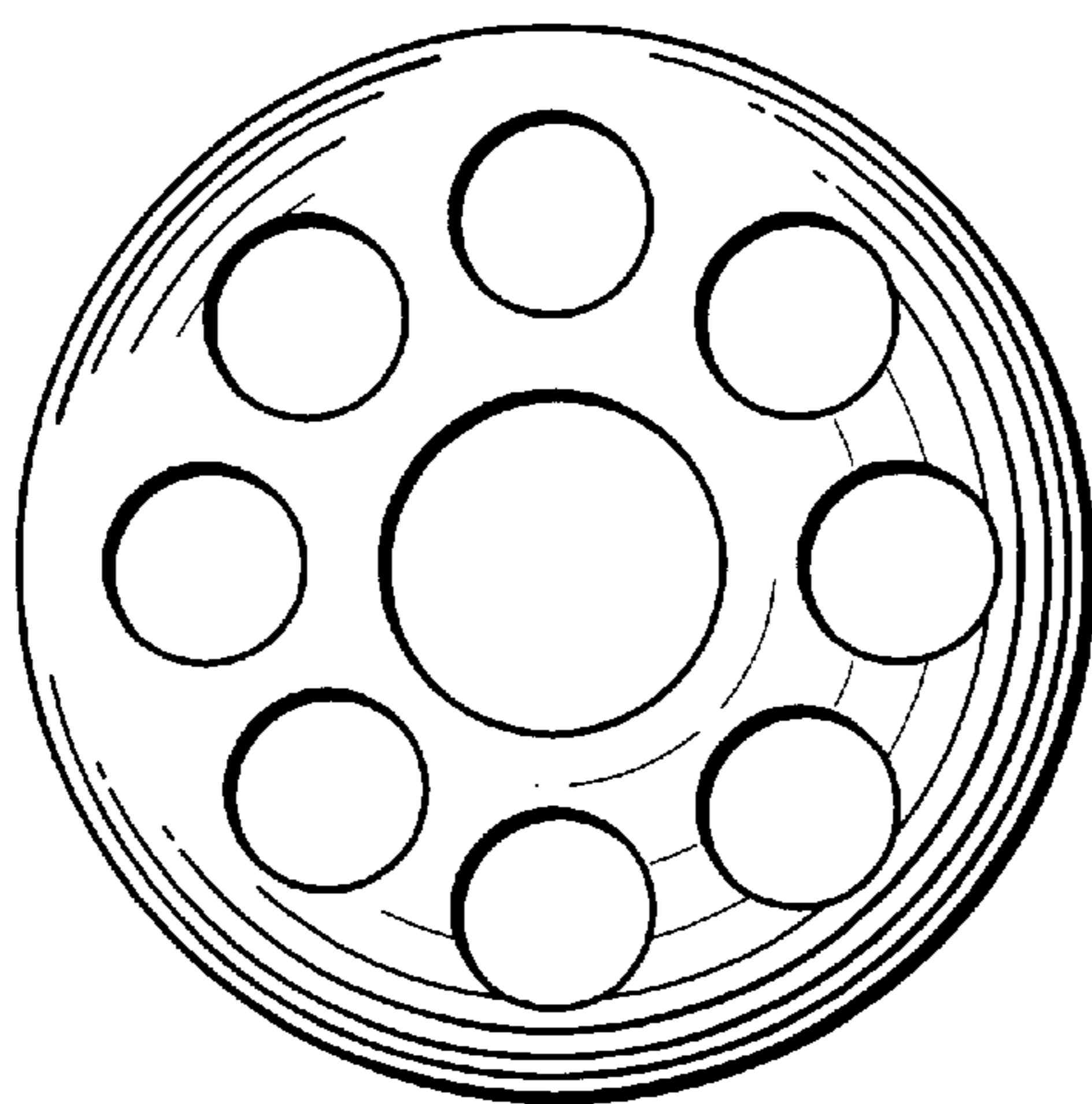
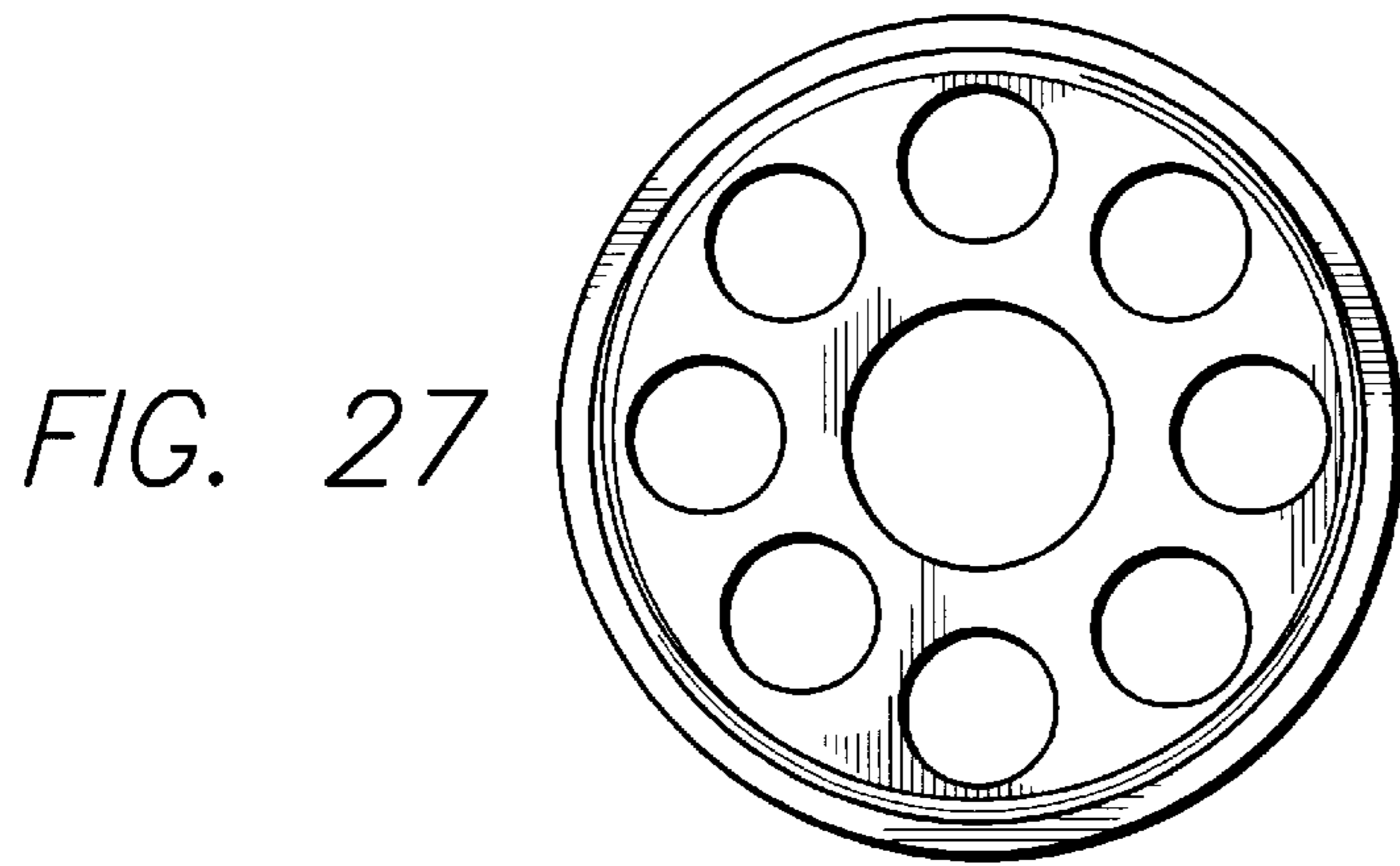
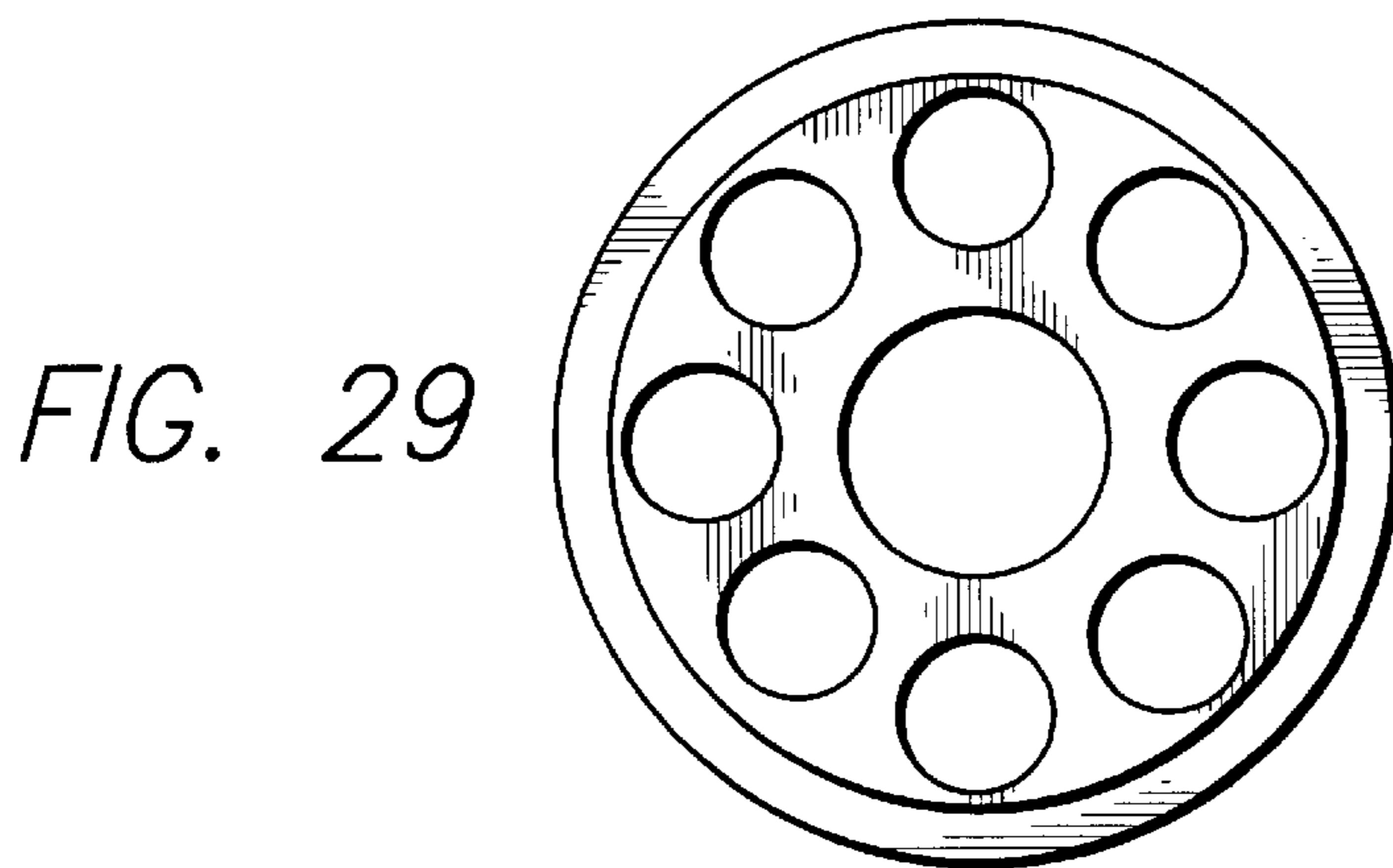


FIG. 26





*FIG. 28*



*FIG. 30*

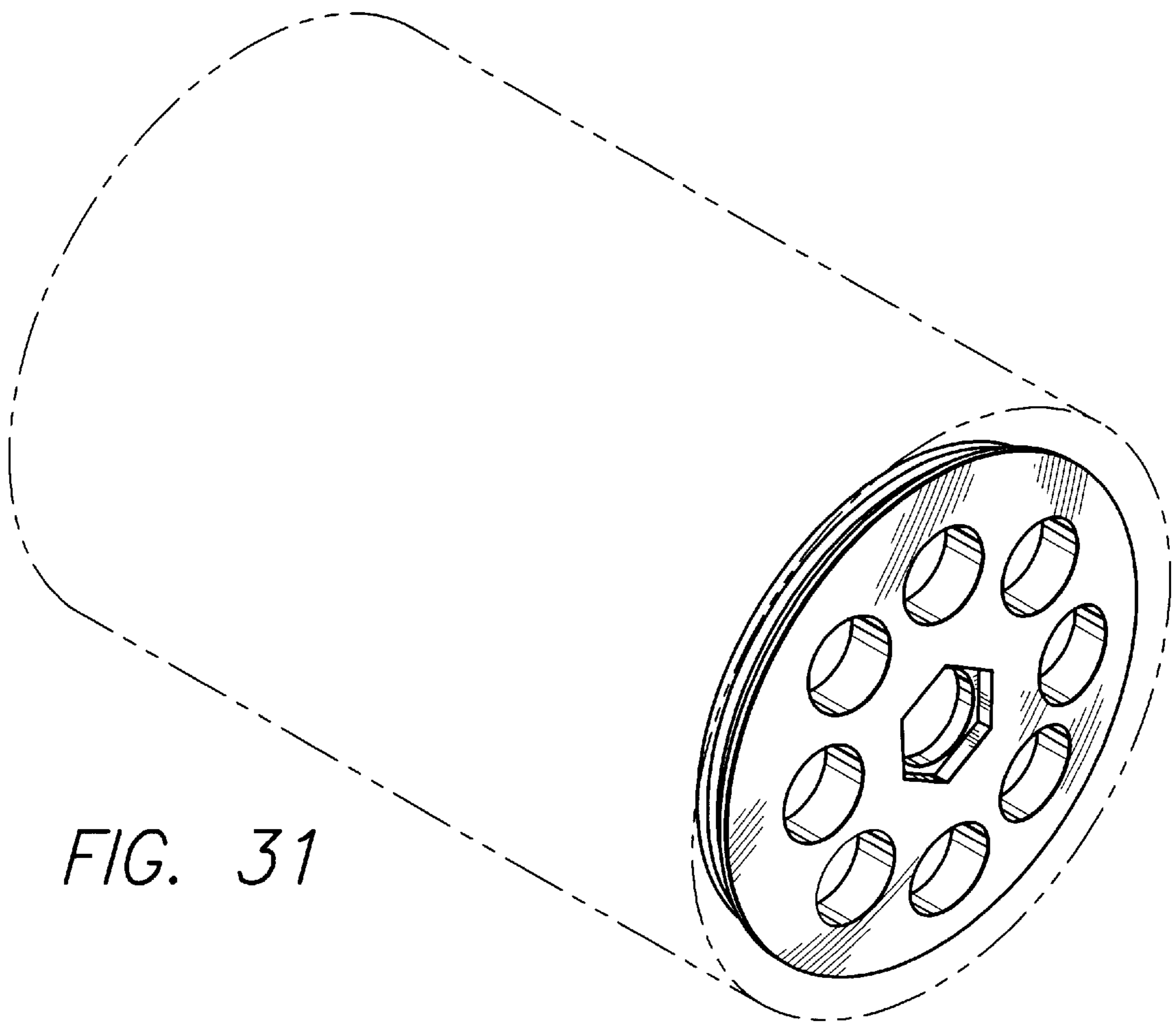


FIG. 31

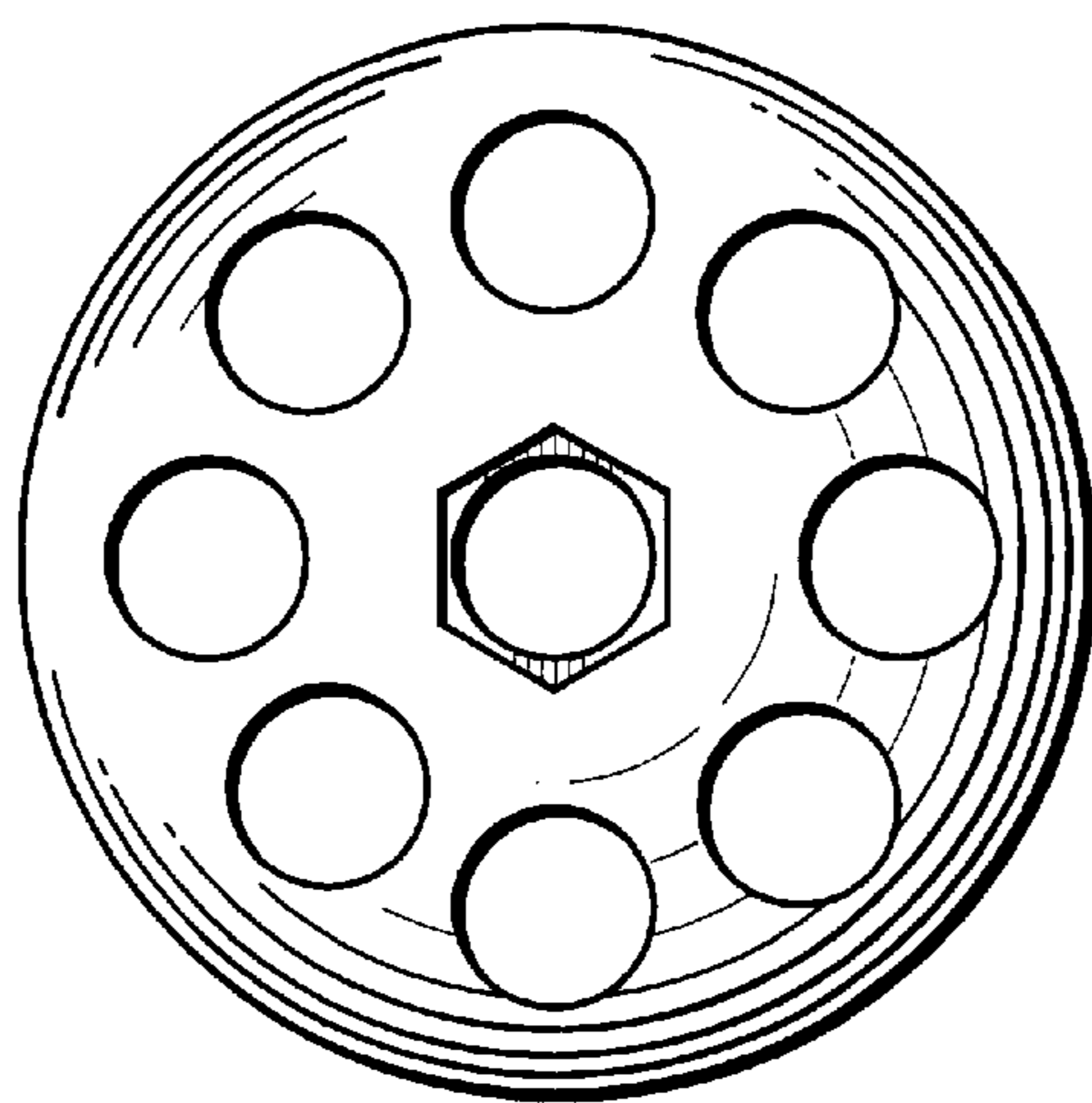


FIG. 32

FIG. 33

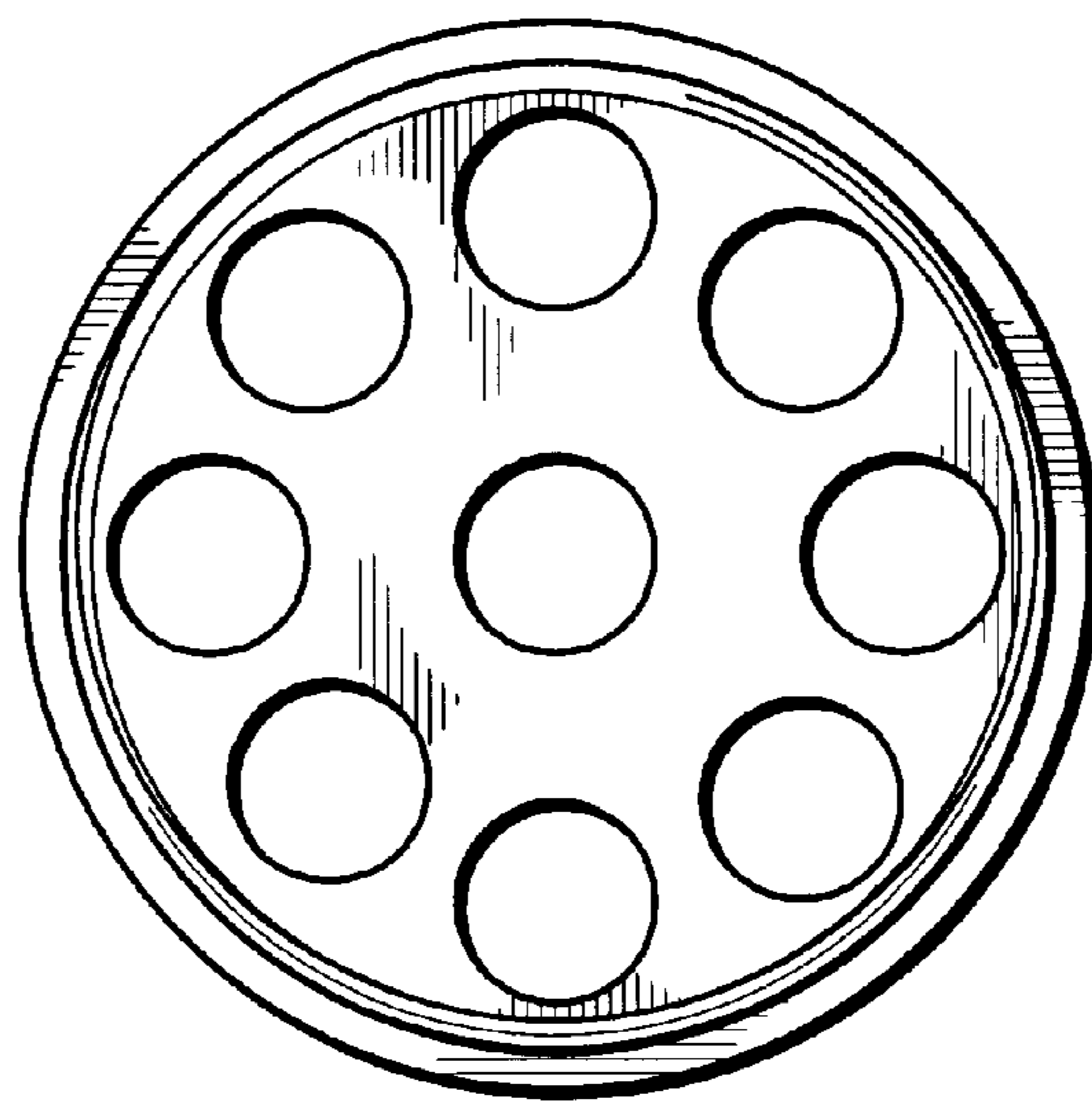


FIG. 34

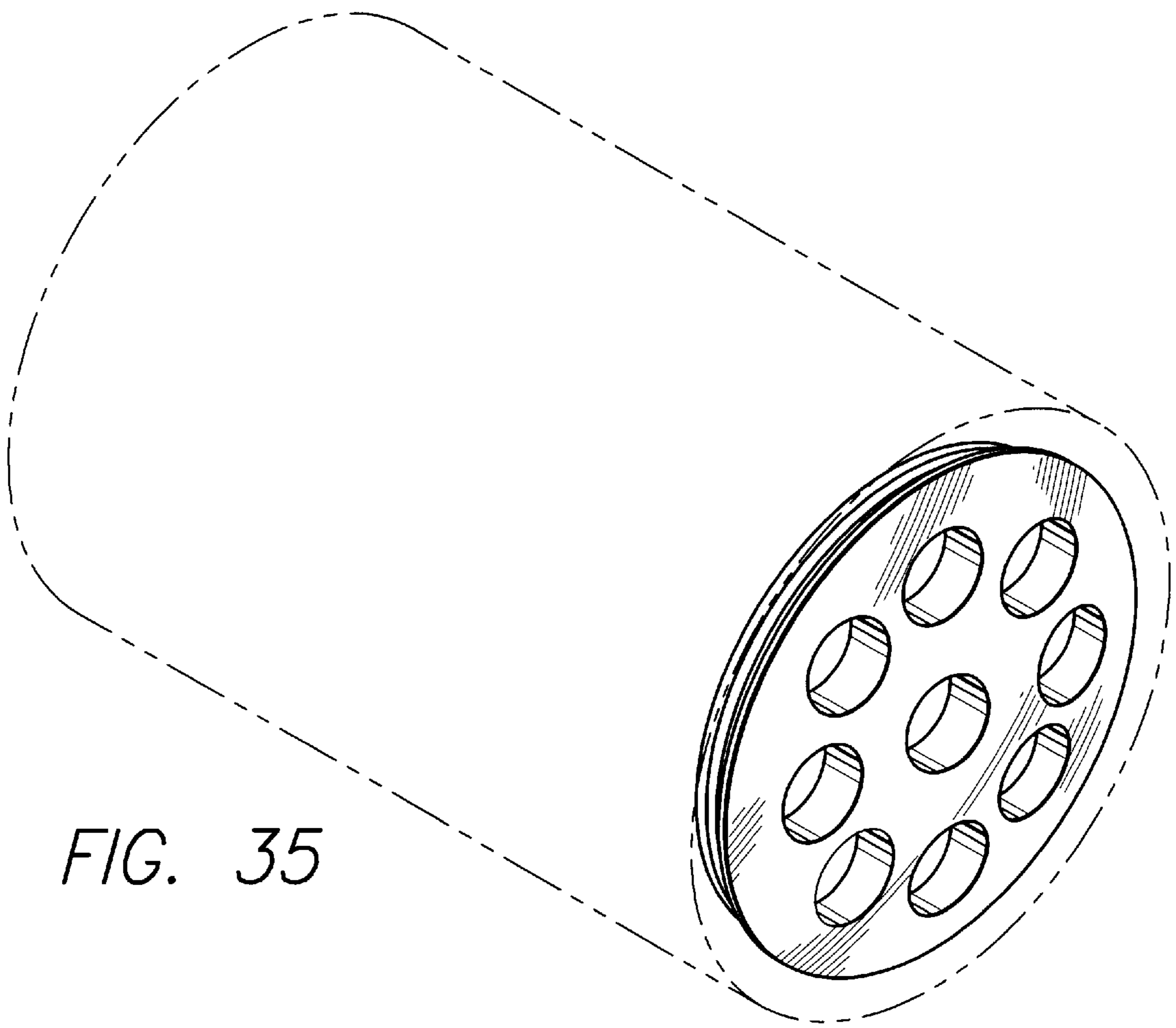


FIG. 35

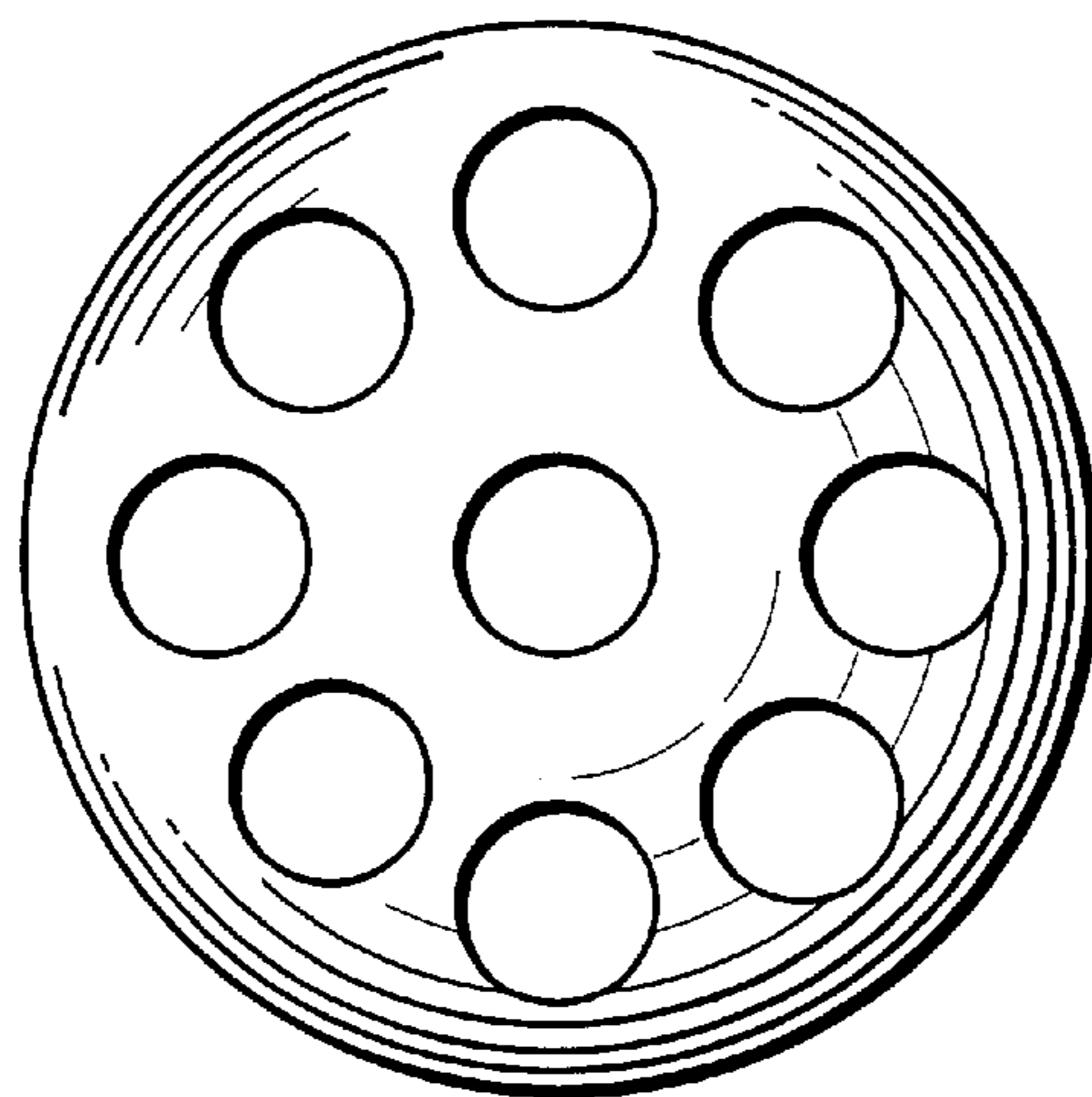


FIG. 36

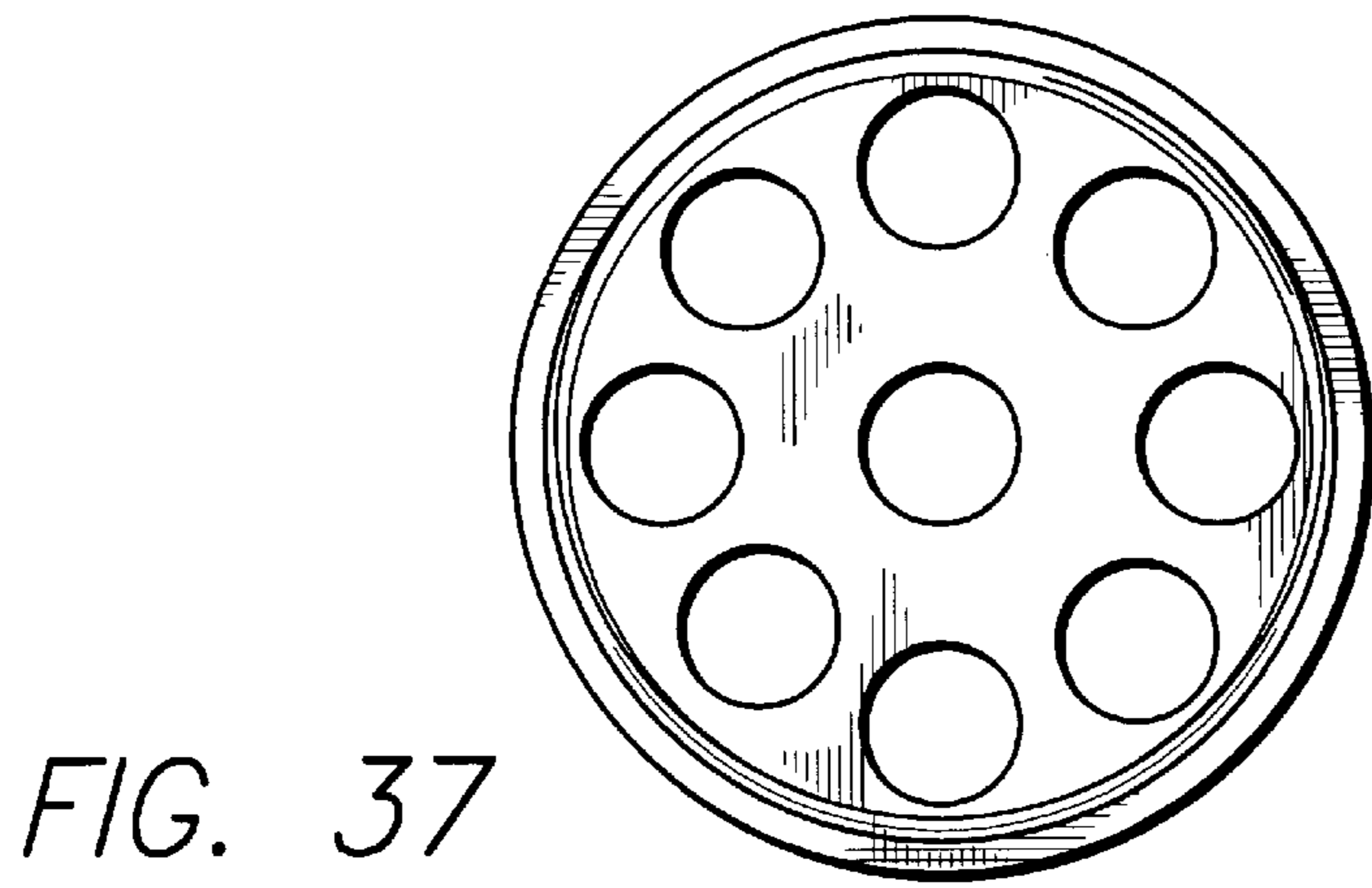


FIG. 37



FIG. 38

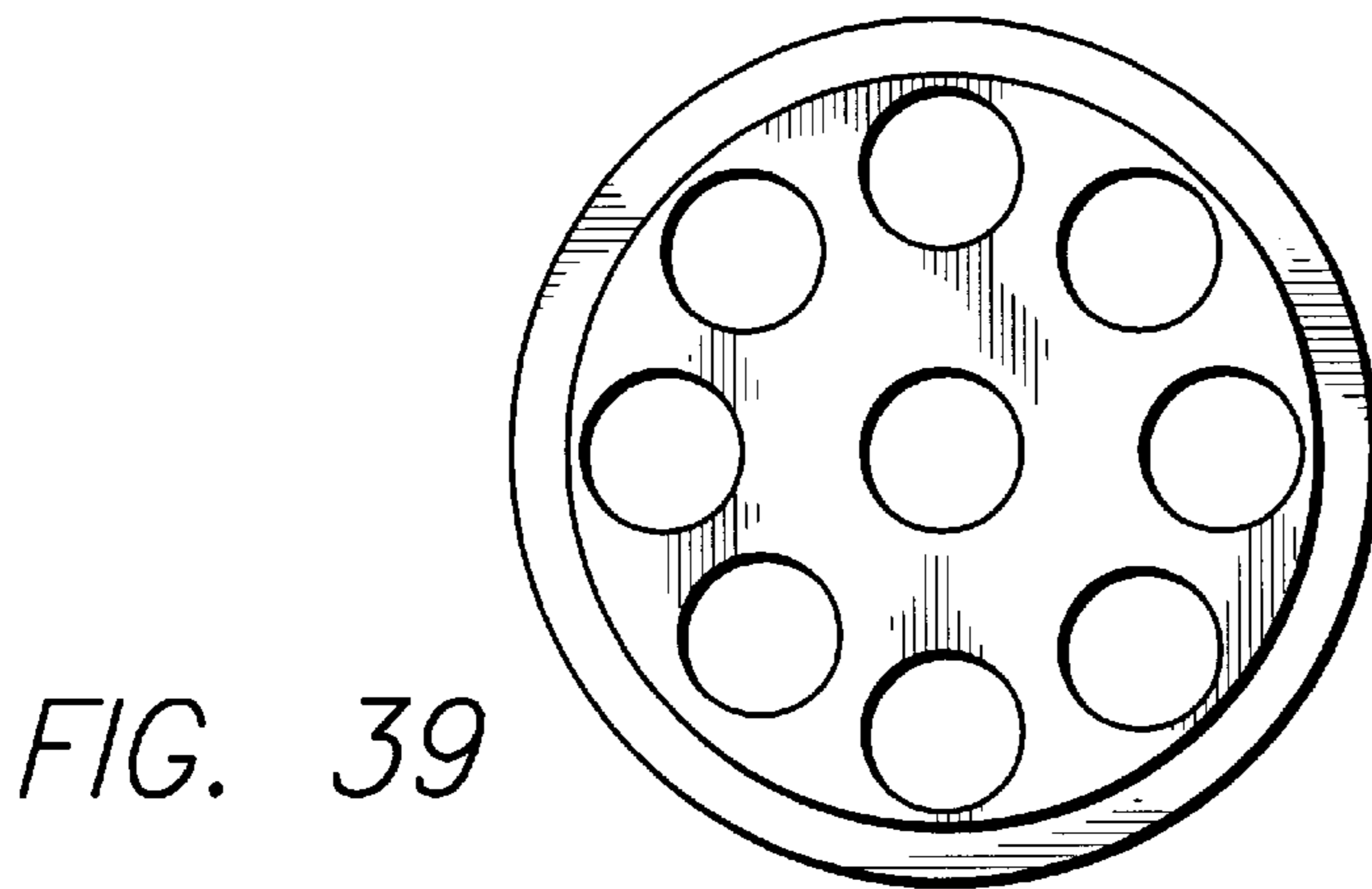


FIG. 39



FIG. 40