



US00D439337S

(12) **United States Design Patent**  
**Jones**

(10) **Patent No.:** **US D439,337 S**

(45) **Date of Patent:** **\*\* Mar. 20, 2001**

(54) **SURGICAL NEEDLE HOLDER**

(76) Inventor: **Michael Harold Jones**, 248 Old Bath Road, Cheltenham, Gloucestershire (GB), GL53 9EQ

(\*\*) Term: **14 Years**

(21) Appl. No.: **29/091,829**

(22) Filed: **Aug. 6, 1998**

(30) **Foreign Application Priority Data**

Feb. 6, 1998 (GB) ..... 2072531

(51) **LOC (7) Cl.** ..... **24-02**

(52) **U.S. Cl.** ..... **D24/144; D24/133**

(58) **Field of Search** ..... D24/144, 133; D19/54, 55; 606/41, 43, 44, 133

(56) **References Cited**

**U.S. PATENT DOCUMENTS**

- D. 227,514 \* 6/1973 Olsen ..... D24/144
- D. 232,591 \* 8/1974 Haberman ..... D24/144
- D. 301,739 \* 6/1989 Turner et al. .... D24/144
- D. 320,271 \* 9/1991 Jones ..... D24/144

- D. 393,067 \* 3/1998 Geary et al. .... D24/144
- D. 402,030 \* 12/1998 Roberts et al. .... D24/144

\* cited by examiner

*Primary Examiner*—Ian Simmons

(74) *Attorney, Agent, or Firm*—Baker Botts L.L.P.

(57) **CLAIM**

The ornamental design for a surgical needle holder, as shown and described.

**DESCRIPTION**

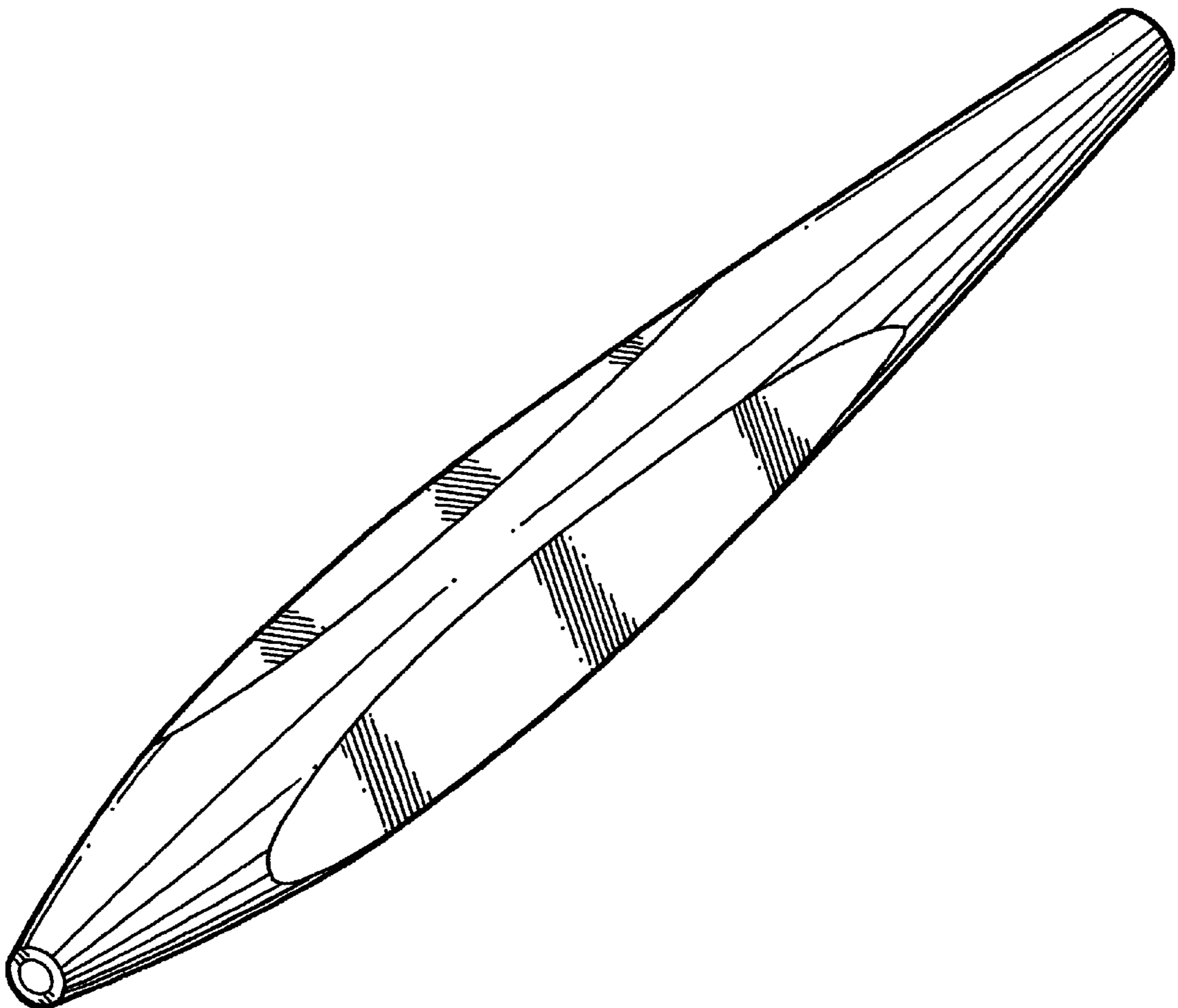
FIG. 1 is a pictorial view of an embodiment of a surgical needle holder according to my new design, the view being taken from a viewpoint above and distally of the embodiment;

FIG. 2 is an elevational view of the distal end of the embodiment of FIG. 1;

FIG. 3 is a right side elevational view of the embodiment of FIGS. 1 and 2 and is also a mirror image of the left side; and FIG. 4 is a top plan view of the embodiment of FIGS. 1 to 3; and,

FIG. 5 is an elevational view of the proximal end of the embodiment of FIGS. 1 to 4.

**1 Claim, 3 Drawing Sheets**



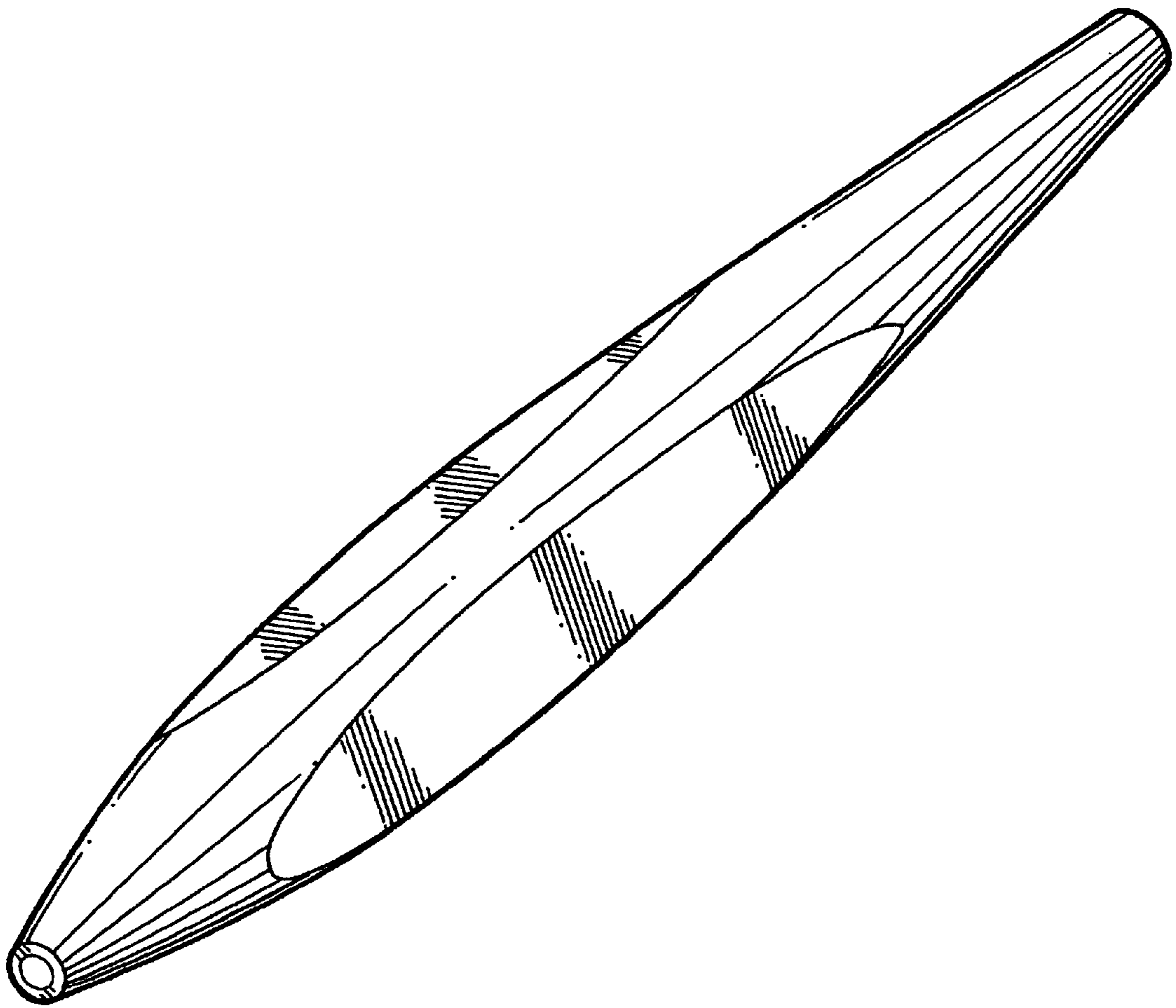


FIG. 1

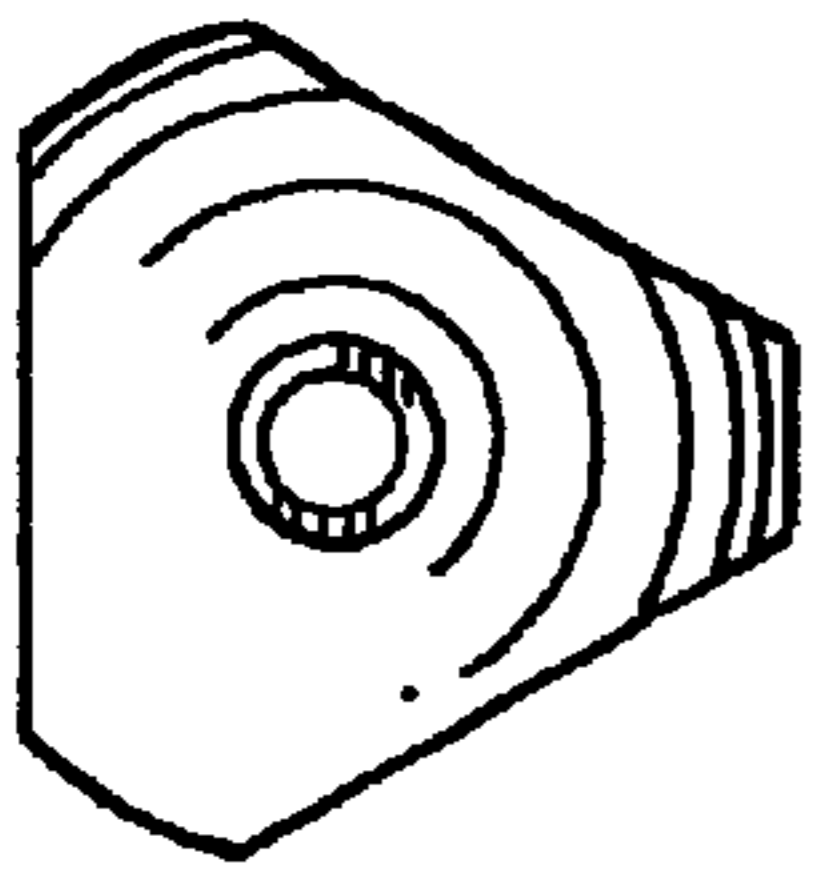


FIG. 2

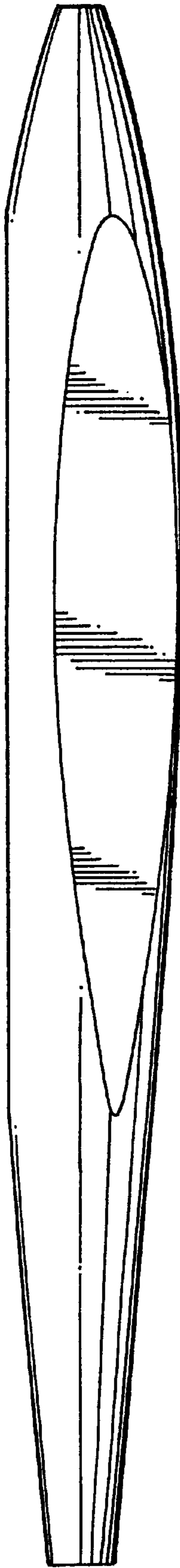


FIG. 3

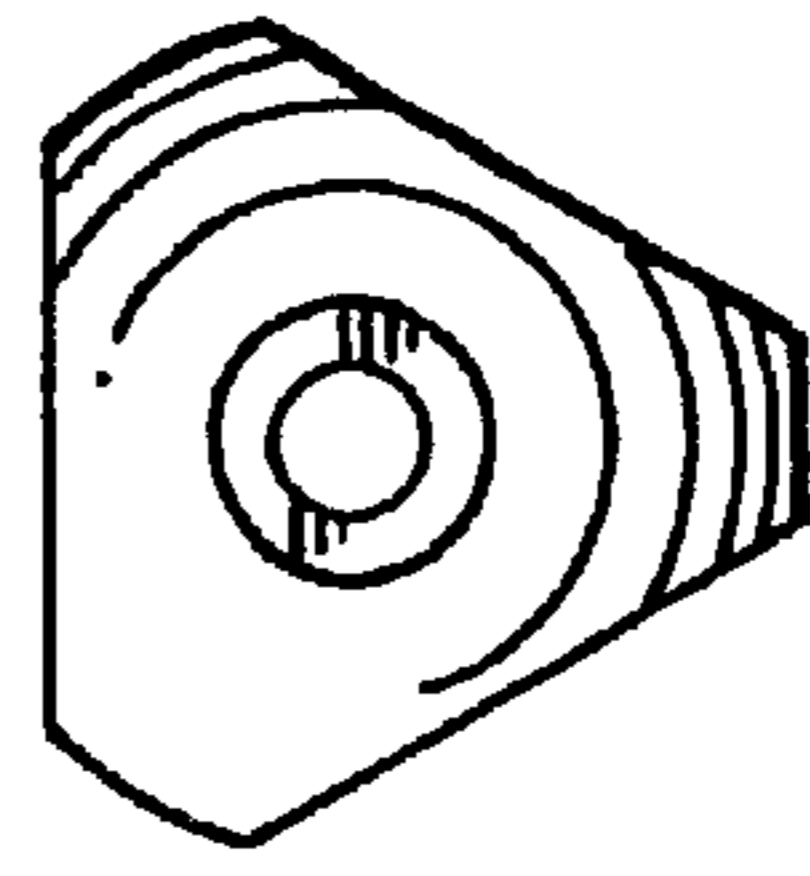


FIG. 5

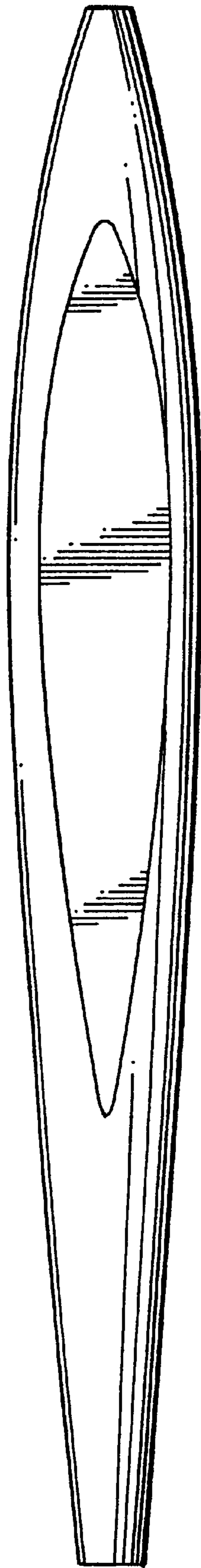


FIG. 4