



US00D439336S

(12) **United States Design Patent**  
**Najmi**

(10) **Patent No.:** **US D439,336 S**

(45) **Date of Patent:** **\*\* Mar. 20, 2001**

(54) **MONOFILAMENT HOLDER**

(75) Inventor: **Boman K Najmi**, Crofton, MD (US)

(73) Assignee: **BHS International, Inc.**, Crofton, MD (US)

(\*\*) Term: **14 Years**

(21) Appl. No.: **29/122,874**

(22) Filed: **May 4, 2000**

(51) **LOC (7) Cl.** ..... **24-02**

(52) **U.S. Cl.** ..... **D24/142; D19/53; D19/48**

(58) **Field of Search** ..... **D24/142, 113, D24/114, 146; D19/53, 48; 600/587, 557, 301**

(56) **References Cited**

**U.S. PATENT DOCUMENTS**

D. 204,651	*	5/1966	Laughlin	.....	D24/142
D. 427,679	*	7/2000	Coe	.....	D24/142
D. 429,813	*	8/2000	Coe	.....	D24/142
2,704,539	*	3/1955	Fisher	.....	600/557

4,964,412	*	10/1990	Kelly	.....	600/557
5,823,969	*	10/1998	Christy	.....	600/557
6,113,551	*	9/2000	Isaacs et al.	.....	600/557

\* cited by examiner

*Primary Examiner*—Ian Simmons

(74) *Attorney, Agent, or Firm*—Rabin & Champagne, P.C.

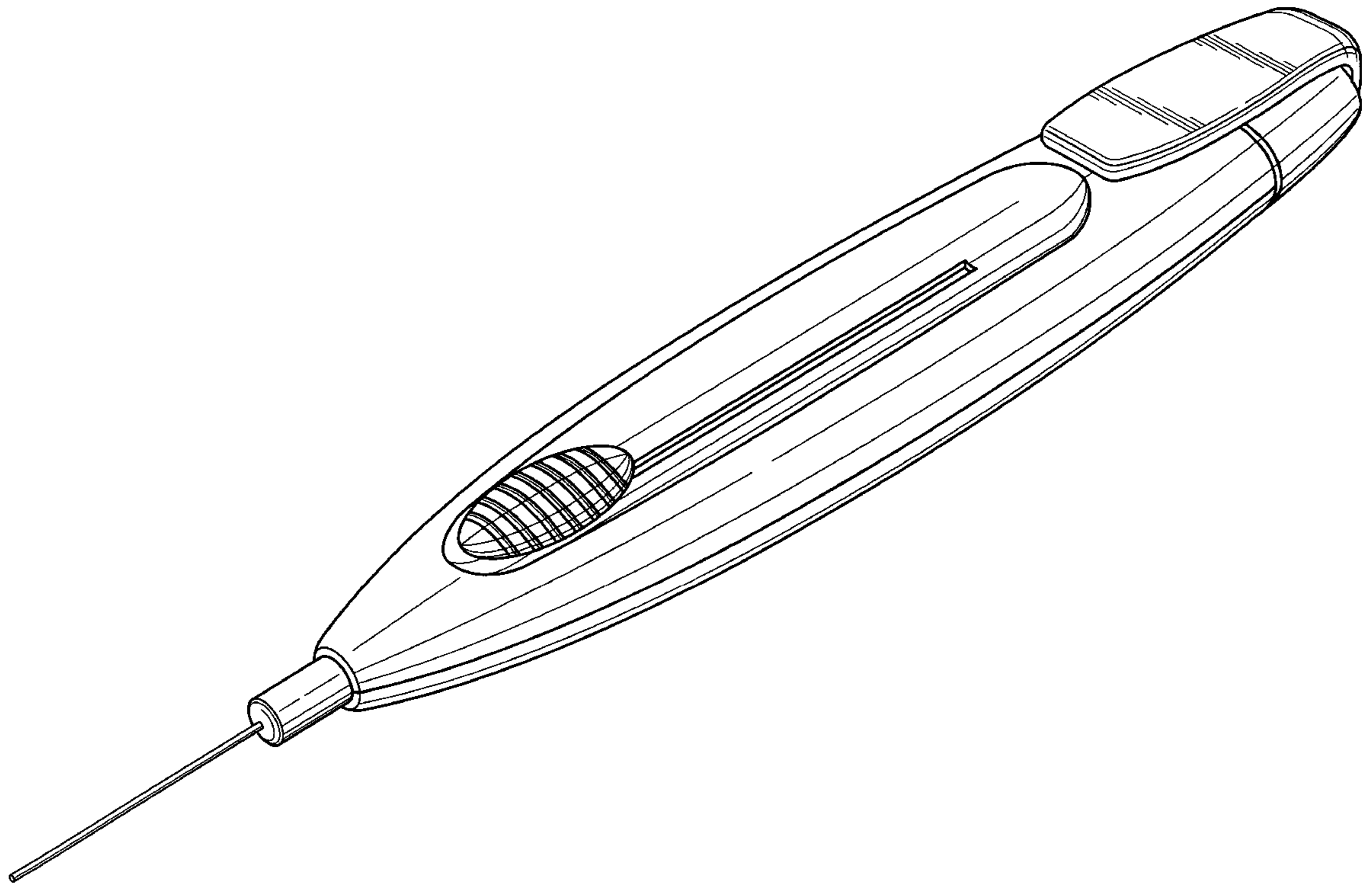
(57) **CLAIM**

The ornamental design for a monofilament holder, as shown and described.

**DESCRIPTION**

FIG. 1 is a perspective view of a monofilament holder showing my new design;  
 FIG. 2 is a perspective view showing monofilament in extended position thereof;  
 FIG. 3 is a front view thereof;  
 FIG. 4 is a rear view thereof;  
 FIG. 5 is a left side view thereof;  
 FIG. 6 is a right side view thereof;  
 FIG. 7 is a top view thereof; and,  
 FIG. 8 is a bottom view thereof.

**1 Claim, 4 Drawing Sheets**



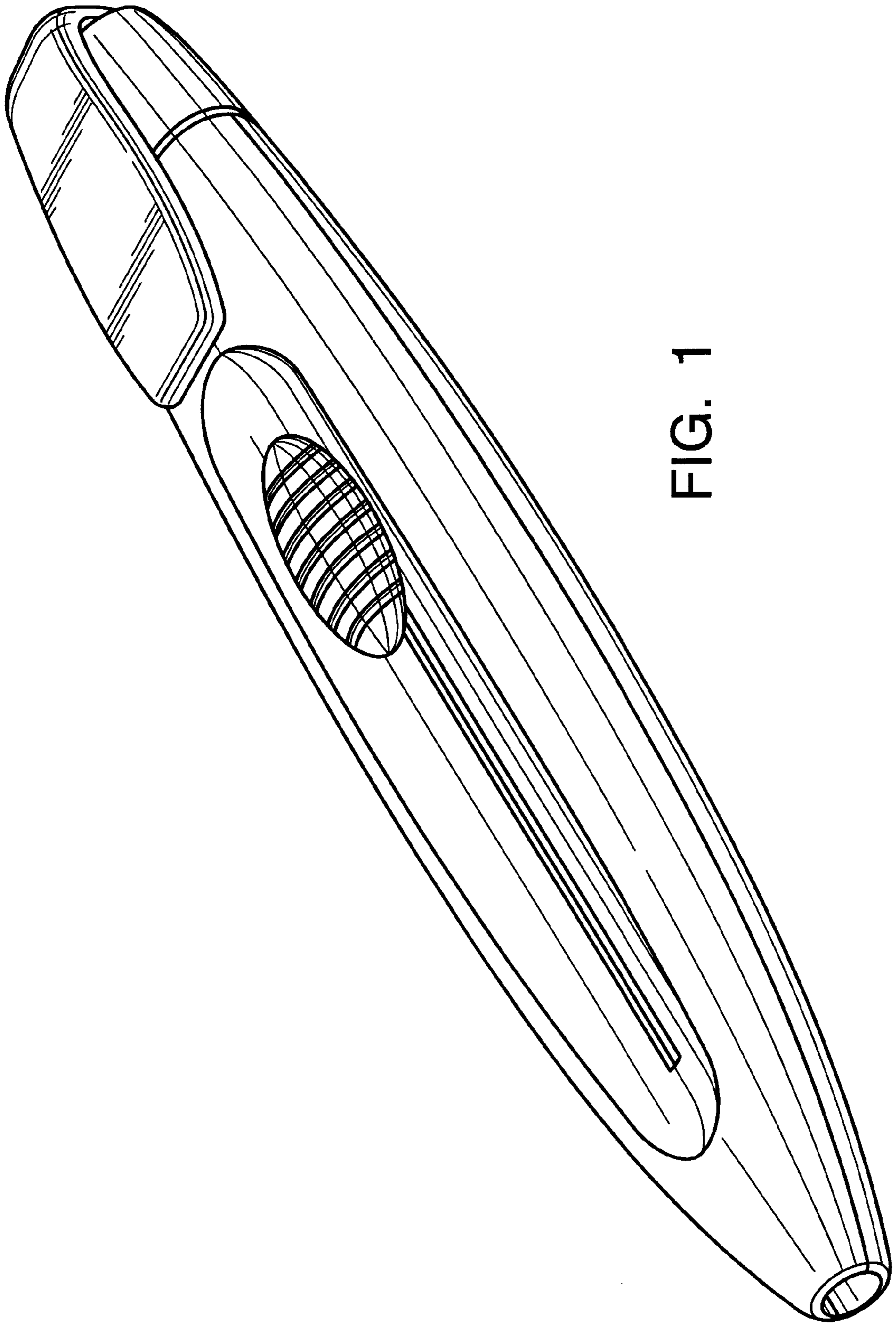


FIG. 1

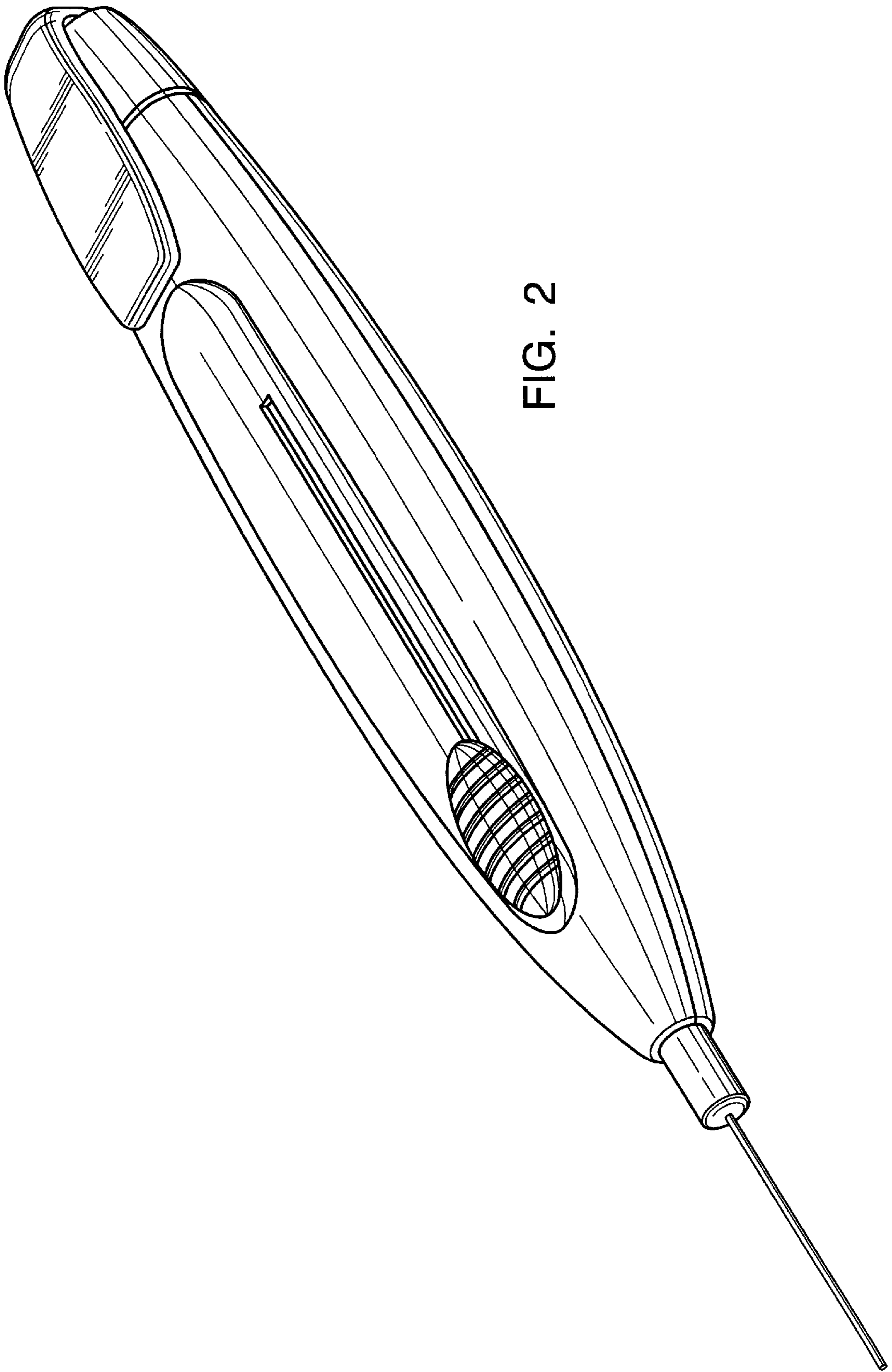


FIG. 2

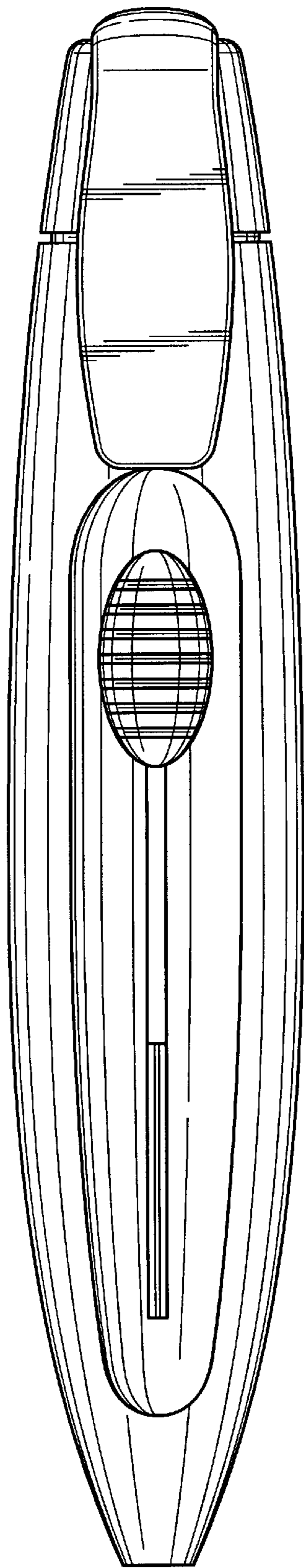


FIG. 3

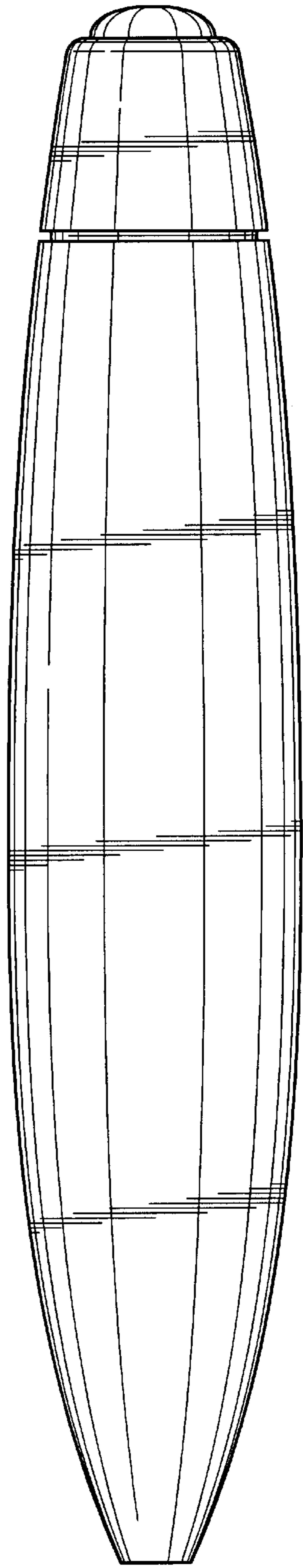


FIG. 4

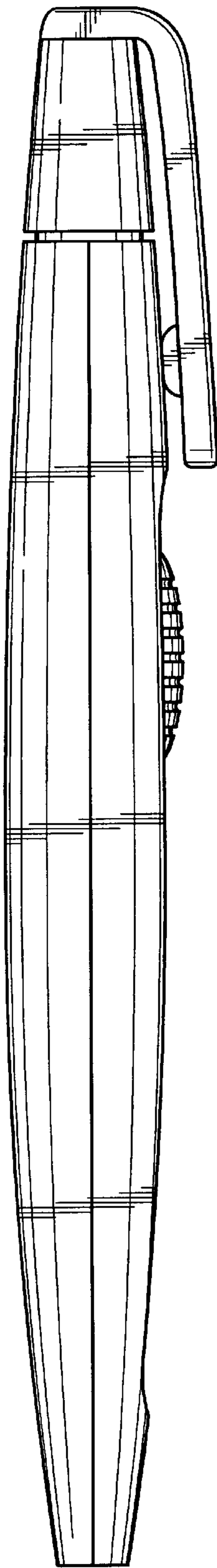


FIG. 5

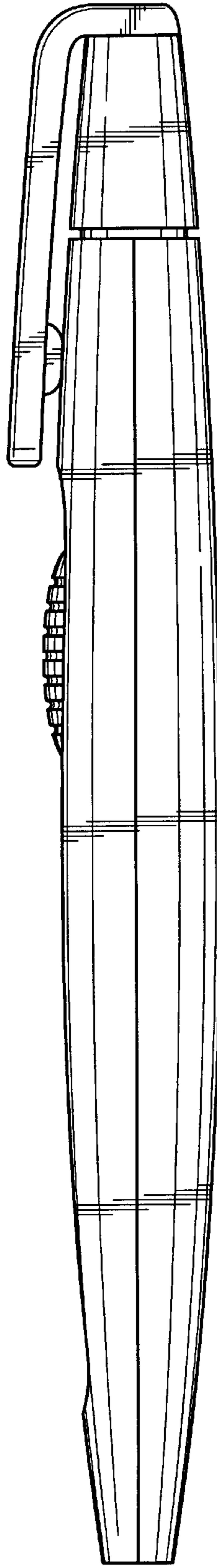


FIG. 6

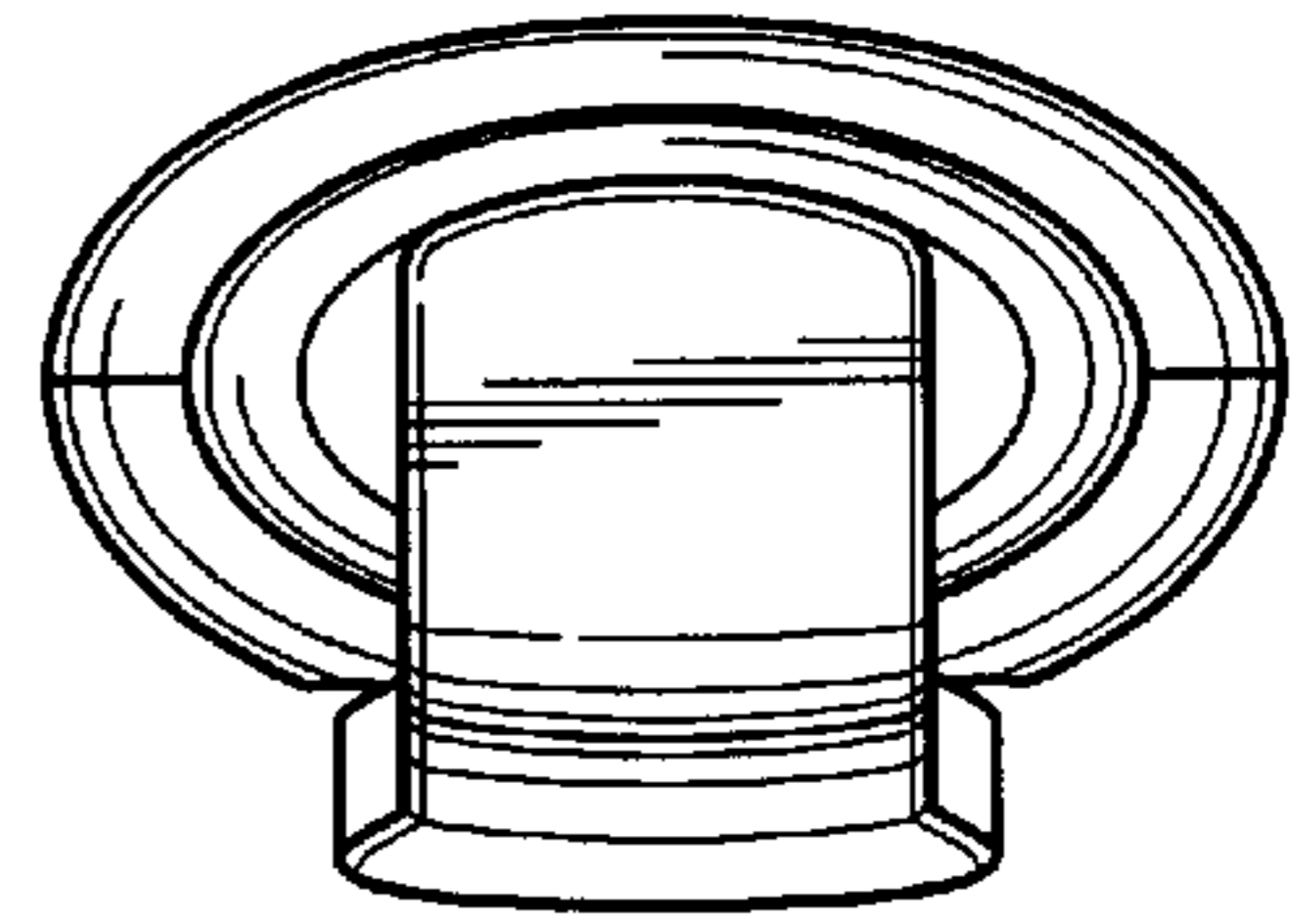


FIG. 7

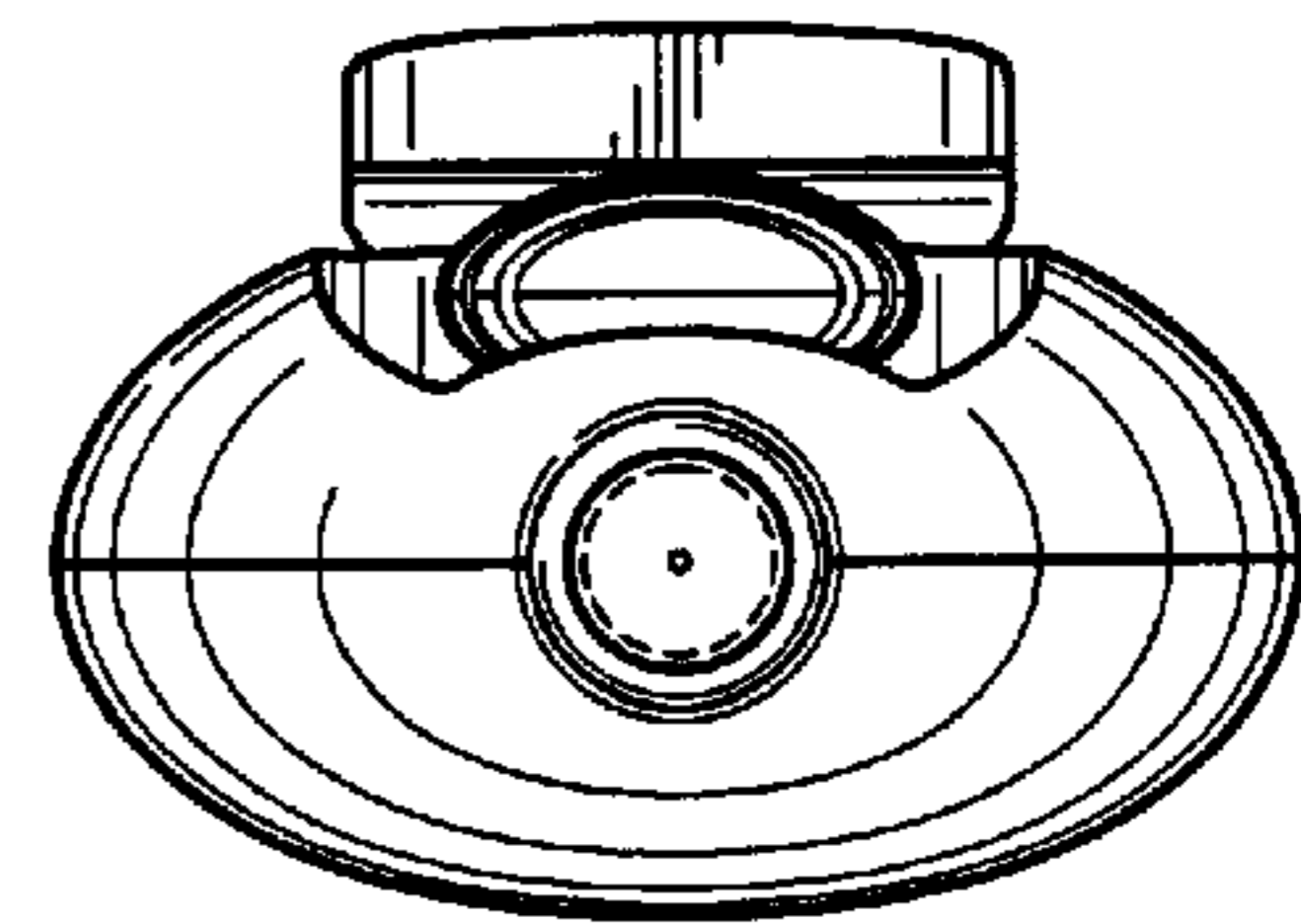


FIG. 8