



US00D439335S

(12) **United States Design Patent**
Walls et al.

(10) **Patent No.:** **US D439,335 S**

(45) **Date of Patent:** **** Mar. 20, 2001**

(54) **OTOSCOPIC ACCESSORY**

(75) Inventors: **Richard Walls**, Tacoma; **Mark Grubb**, Edgewood; **Steve Burrows**, Seattle; **Chris Burrows**, Tacoma, all of WA (US)

(73) Assignee: **Walls Precision Instruments, LLC**, Edgewood, WA (US)

(**) Term: **14 Years**

(21) Appl. No.: **29/119,863**

(22) Filed: **Mar. 8, 2000**

(51) **LOC (7) Cl.** **24-02**

(52) **U.S. Cl.** **D24/137**

(58) **Field of Search** D24/137, 135, D24/138, 172, 150; 600/200, 203; 606/106

(56) **References Cited**

U.S. PATENT DOCUMENTS

| | | | | | |
|------------|---|---------|---------------------|-------|---------|
| D. 406,339 | * | 3/1999 | Stacks | | D24/137 |
| D. 421,123 | * | 2/2000 | Kugler et al. | | D24/137 |
| 1,775,140 | | 9/1930 | Platou . | | |
| 3,020,912 | | 2/1962 | Chester | | 128/310 |
| 3,848,587 | | 11/1974 | McDonald | | 128/9 |
| 4,335,713 | | 6/1982 | Komiya | | 128/9 |
| 4,380,998 | | 4/1983 | Kieffer, III et al. | | 128/9 |
| 4,641,663 | | 2/1987 | Juhn | | 128/765 |
| 4,785,796 | | 11/1988 | Mattson | | 128/9 |
| 4,913,132 | | 4/1990 | Gabriel | | 128/9 |
| 5,363,839 | | 11/1994 | Lankford | | 128/9 |
| 5,390,663 | | 2/1995 | Schaefer | | 128/9 |

| | | | | |
|-----------|--------|----------------|-------|---------|
| 5,392,764 | 2/1995 | Swanson et al. | | 128/3 |
| 5,709,677 | 1/1998 | Slatkine | | 606/17 |
| 5,711,309 | 1/1998 | Goldenberg | | 128/760 |
| 5,916,150 | 6/1999 | Sillman | | 600/184 |

* cited by examiner

Primary Examiner—Ian Simmons

(74) *Attorney, Agent, or Firm*—Seed IP Law Group PLLC

(57) **CLAIM**

The ornamental design for an otoscopic accessory, as shown and described.

DESCRIPTION

FIG. 1 is a perspective view of an otoscopic accessory showing our new design, the broken line showing of an otoscope is for illustrative purposes only and forms no part of the claimed design.

FIG. 2 is a front elevation view thereof.

FIG. 3 is a rear elevation view thereof.

FIG. 4 is a top plan view thereof.

FIG. 5 is a bottom plan view thereof.

FIG. 6 is a left side elevation view thereof.

FIG. 7 is a perspective view of a second embodiment of an otoscopic accessory showing our new design, the broken line showing of an otoscope is for illustrative purposes only and forms no part of the claimed design.

FIG. 8 is a front elevation view thereof.

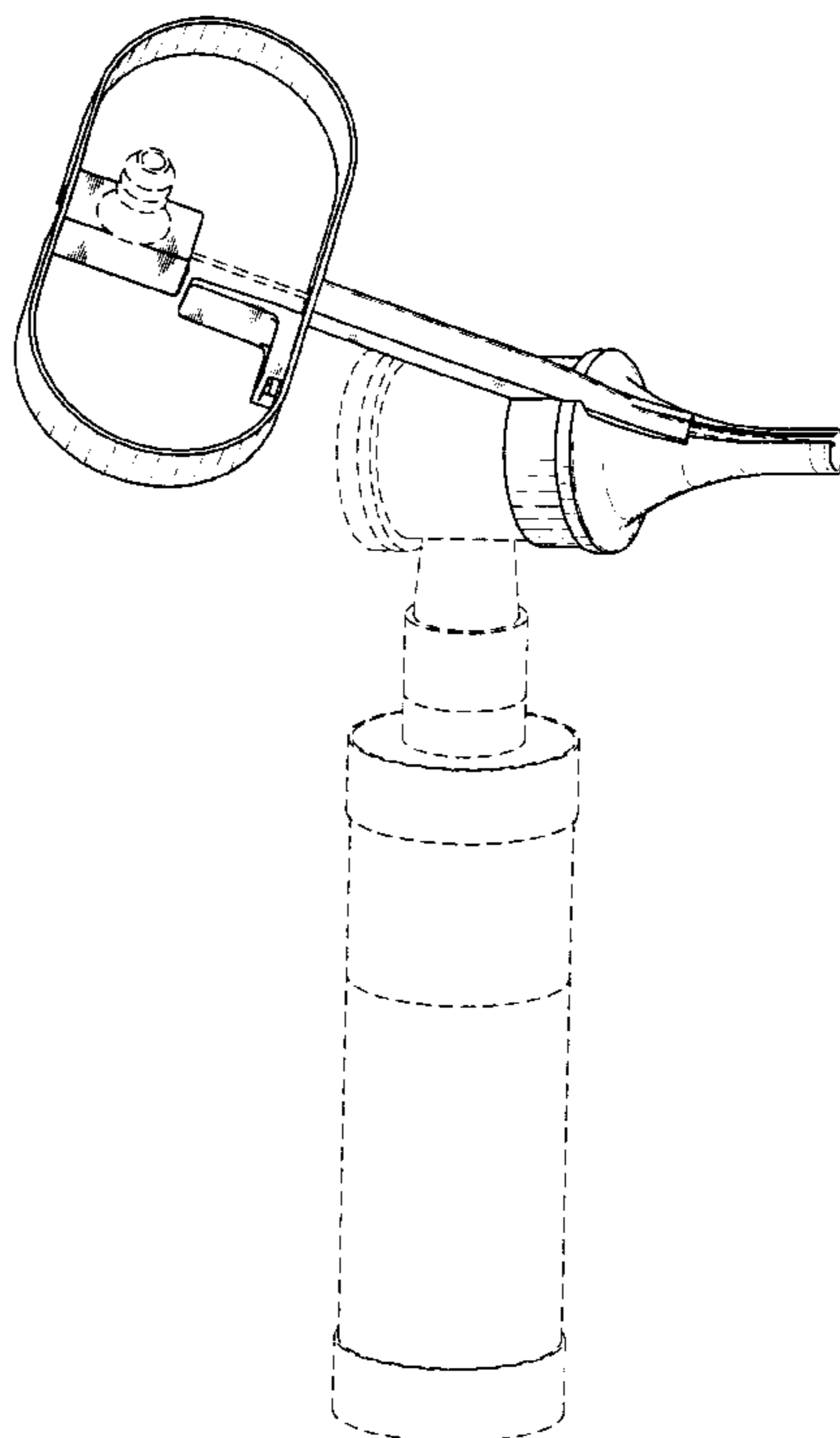
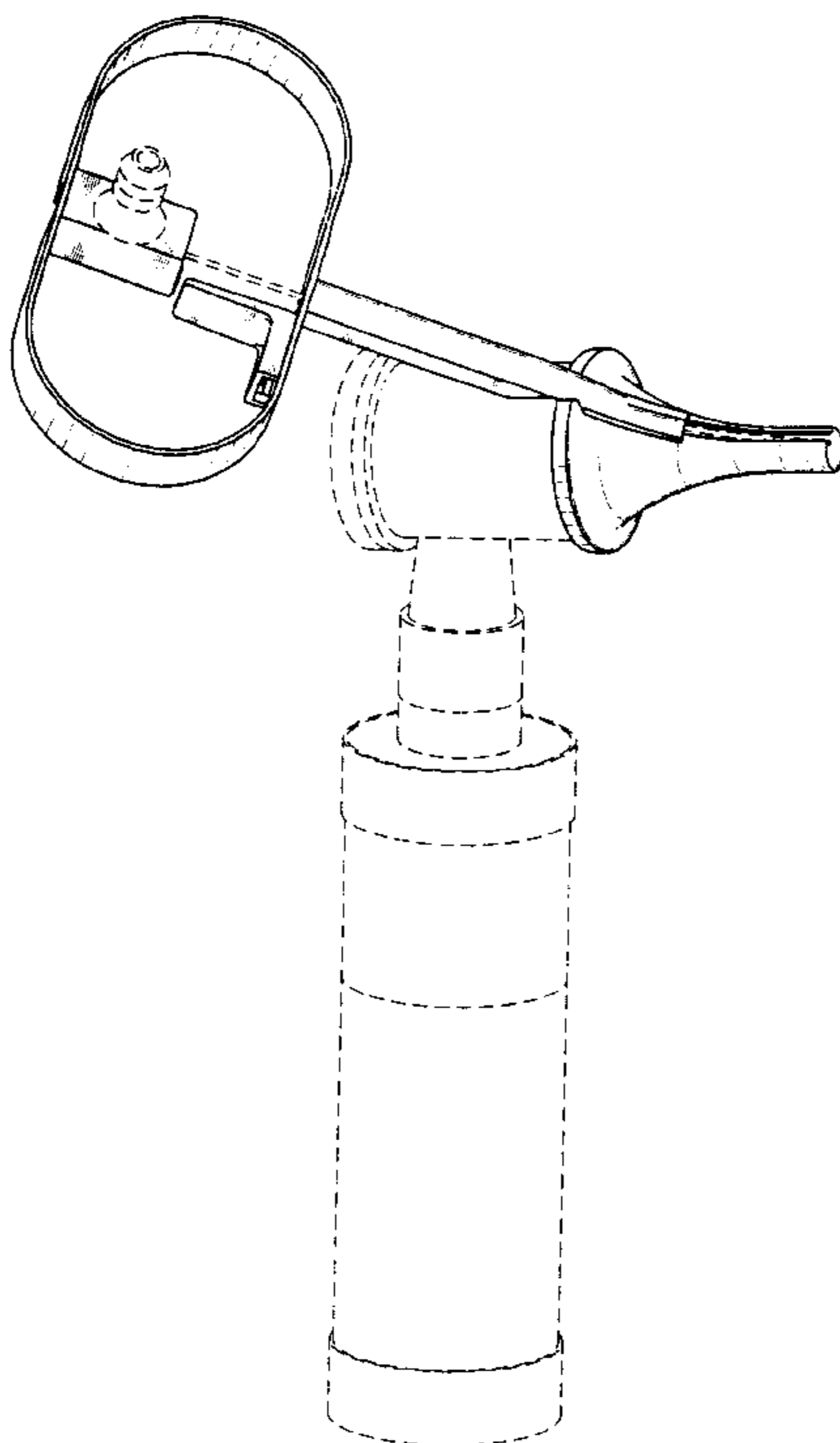
FIG. 9 is a rear elevation view thereof.

FIG. 10 is a top plan view thereof.

FIG. 11 is a bottom plan view thereof; and,

FIG. 12 is a left side elevation view thereof.

1 Claim, 8 Drawing Sheets



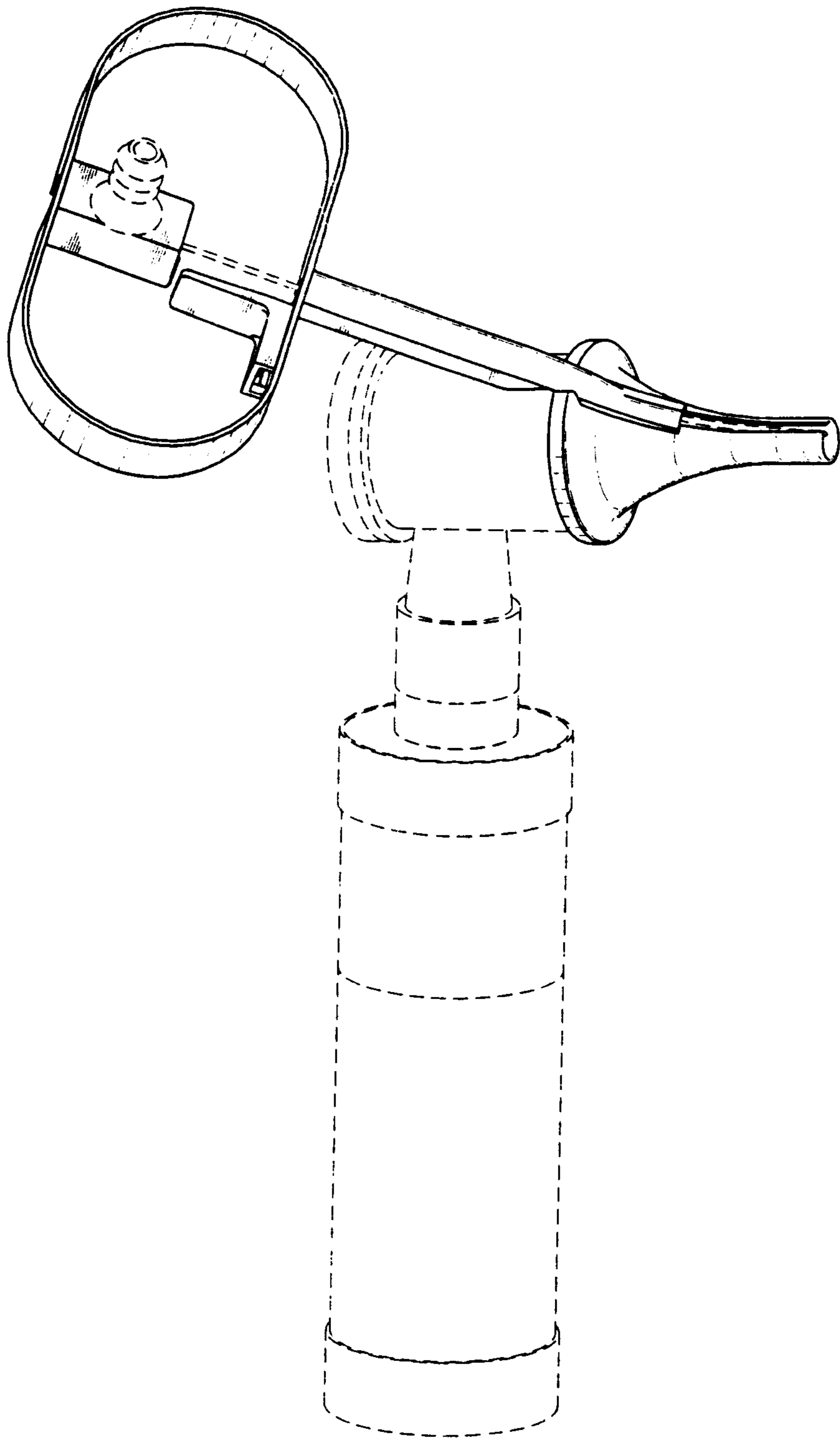


Fig. 1

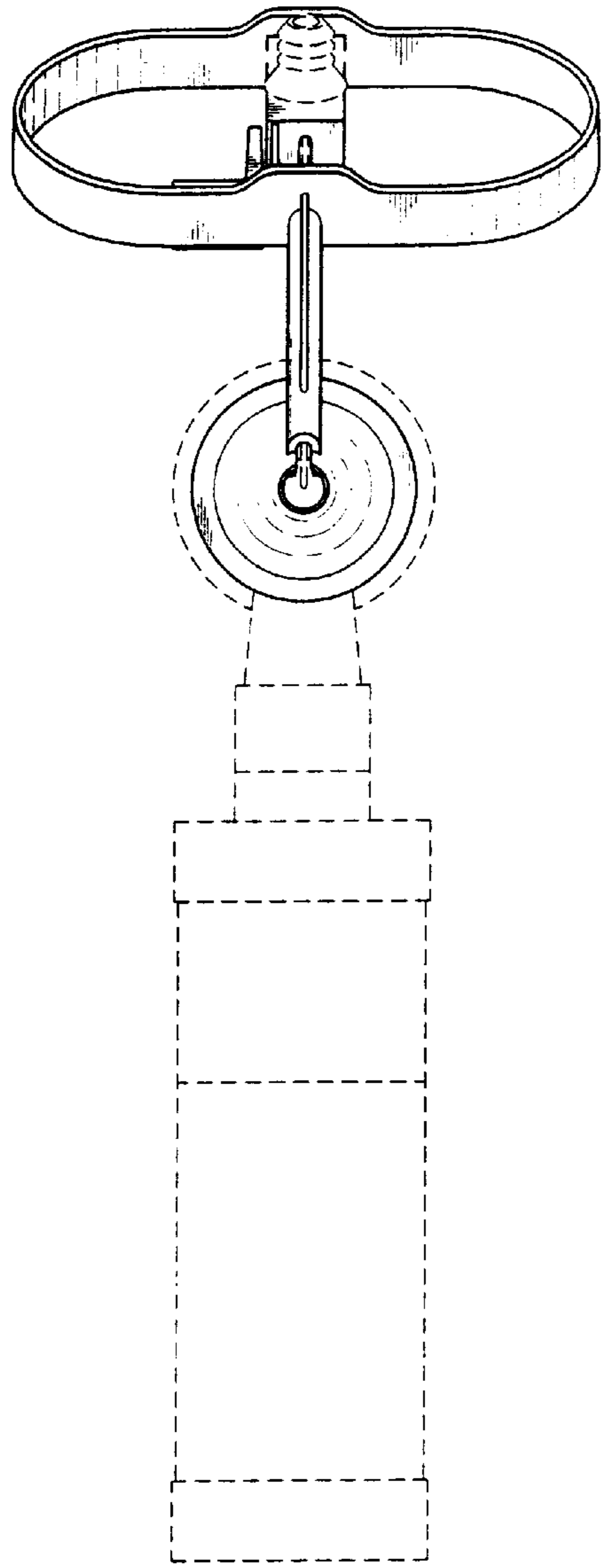


Fig. 2

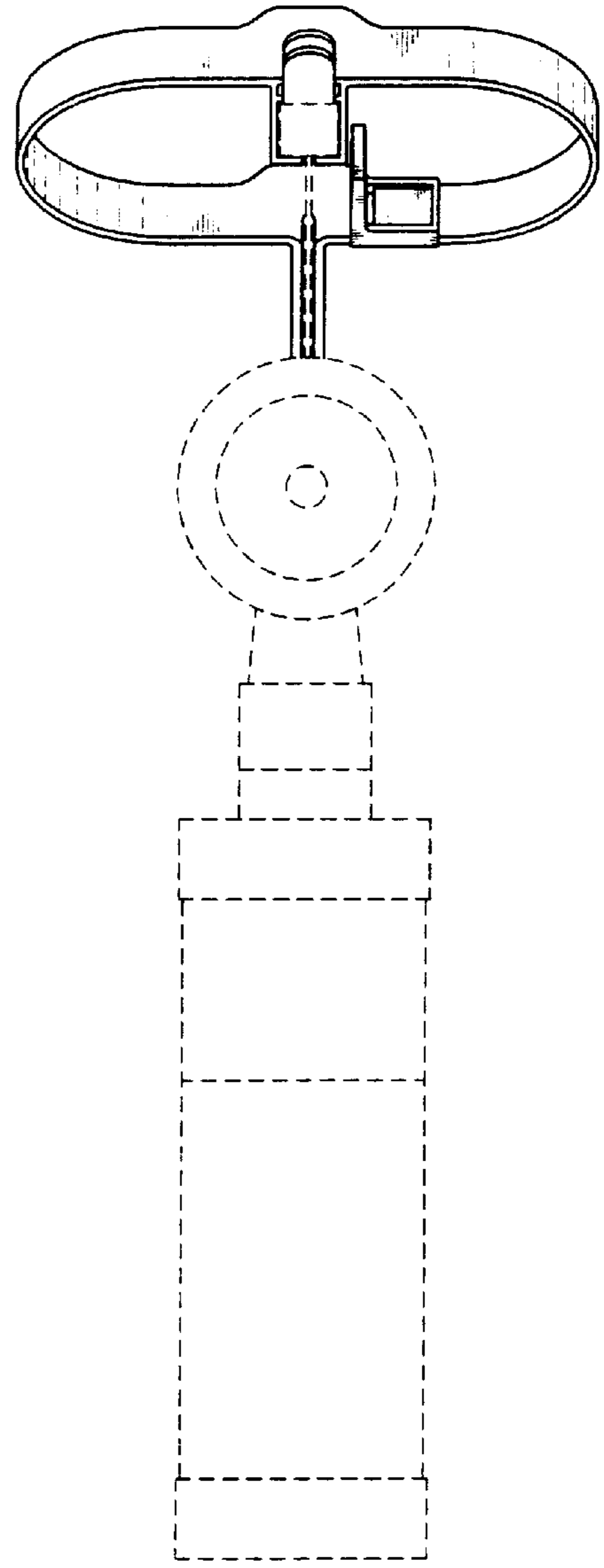


Fig. 3

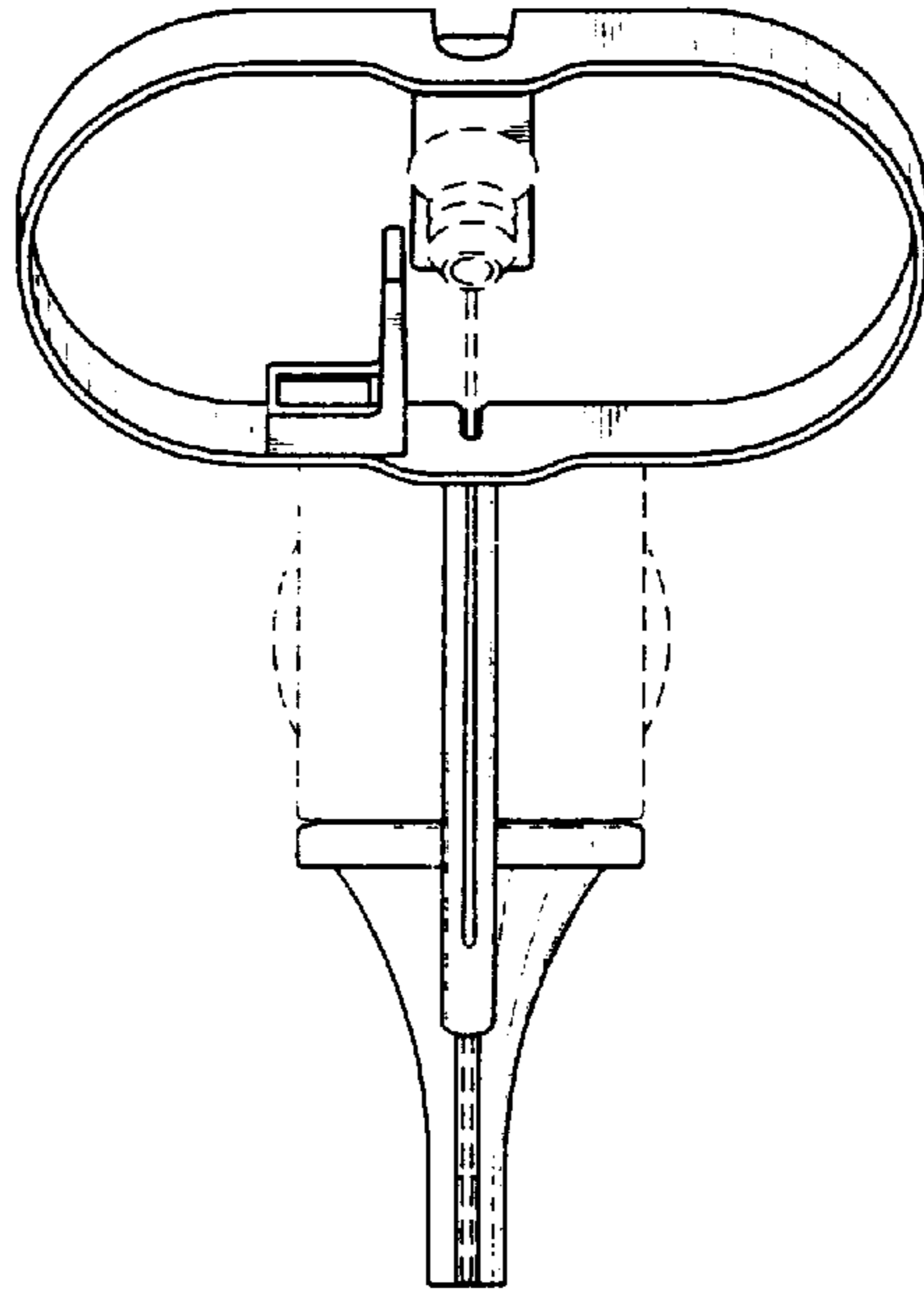


Fig. 4

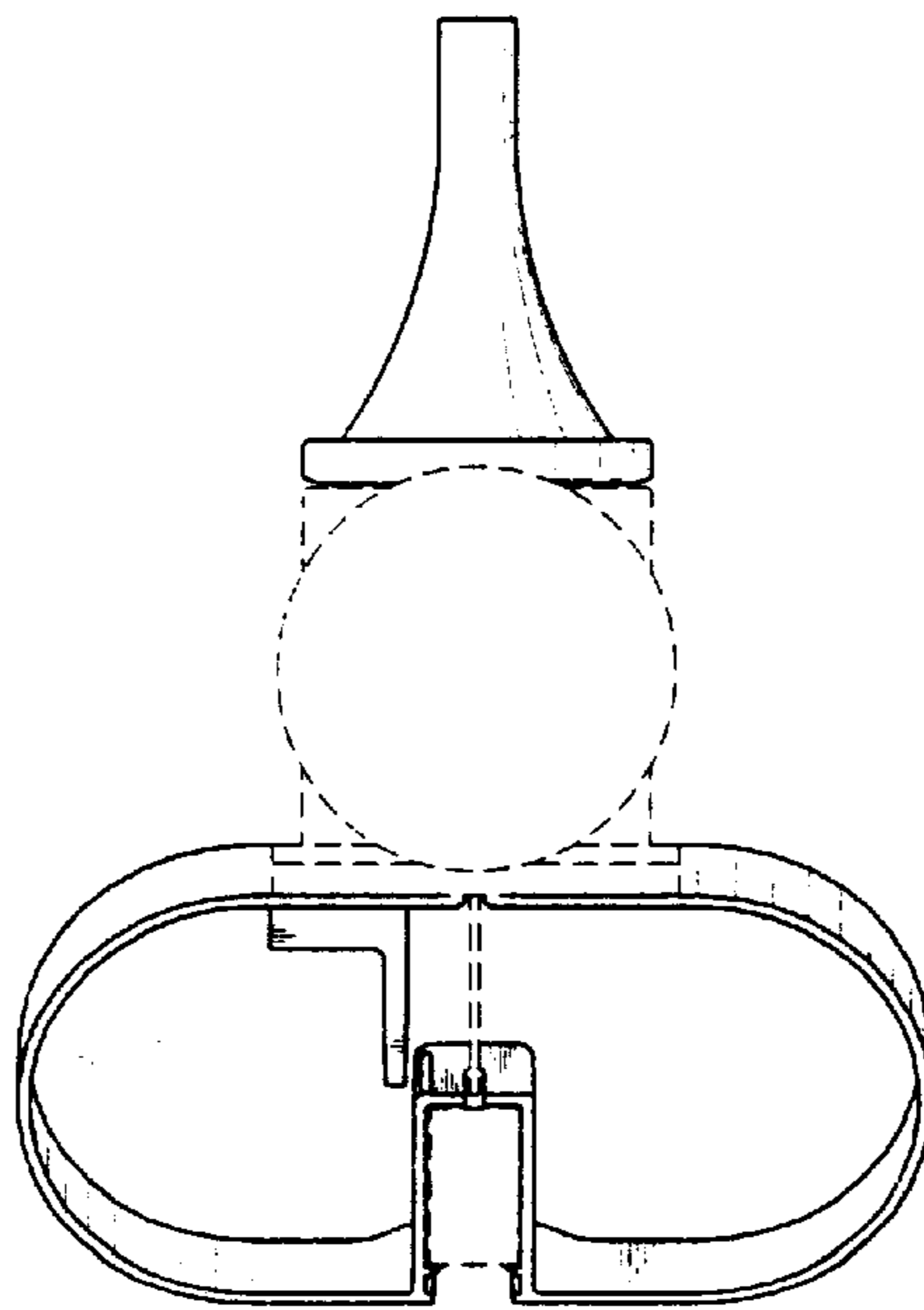


Fig. 5

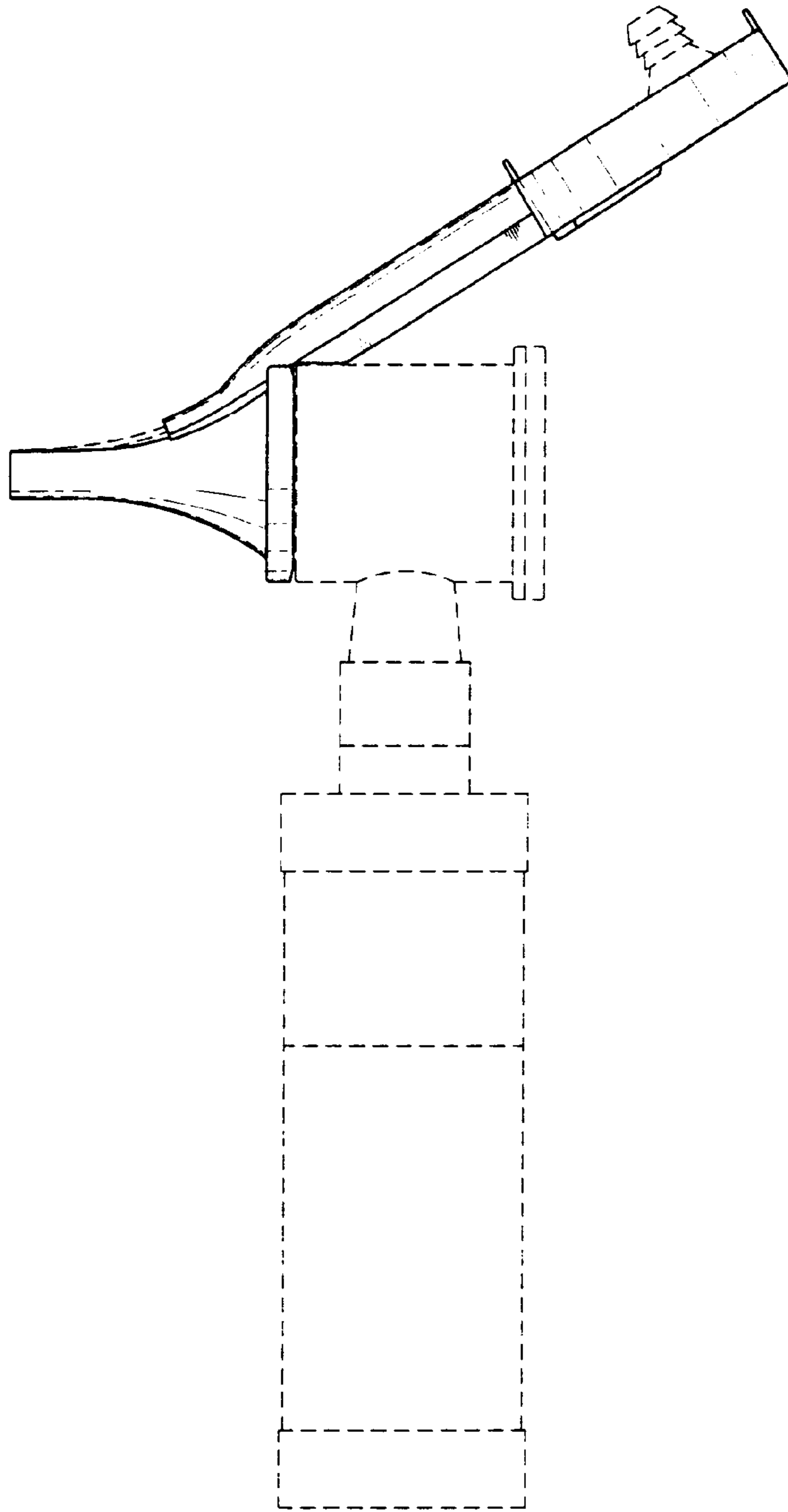


Fig. 6

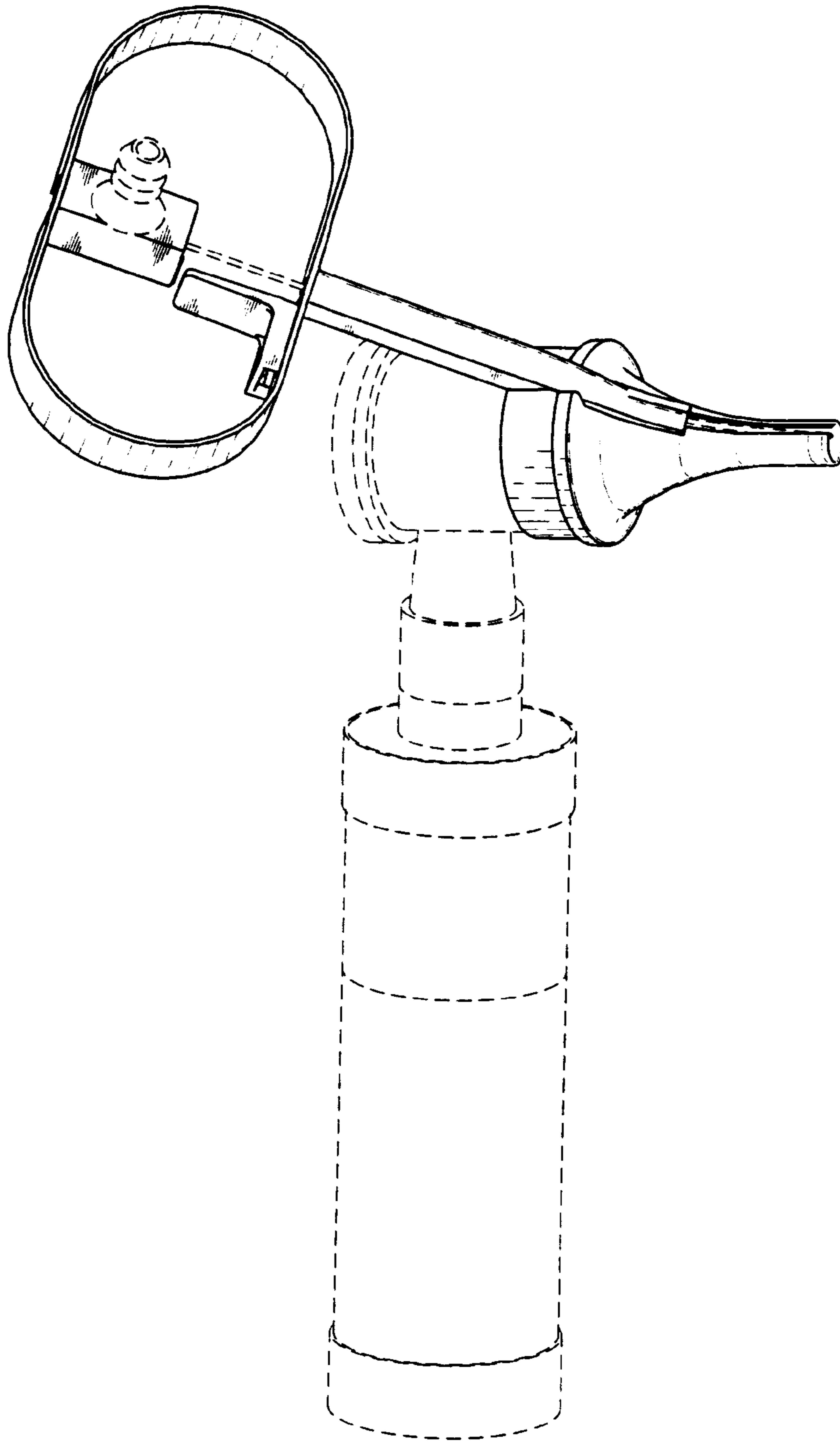


Fig. 7

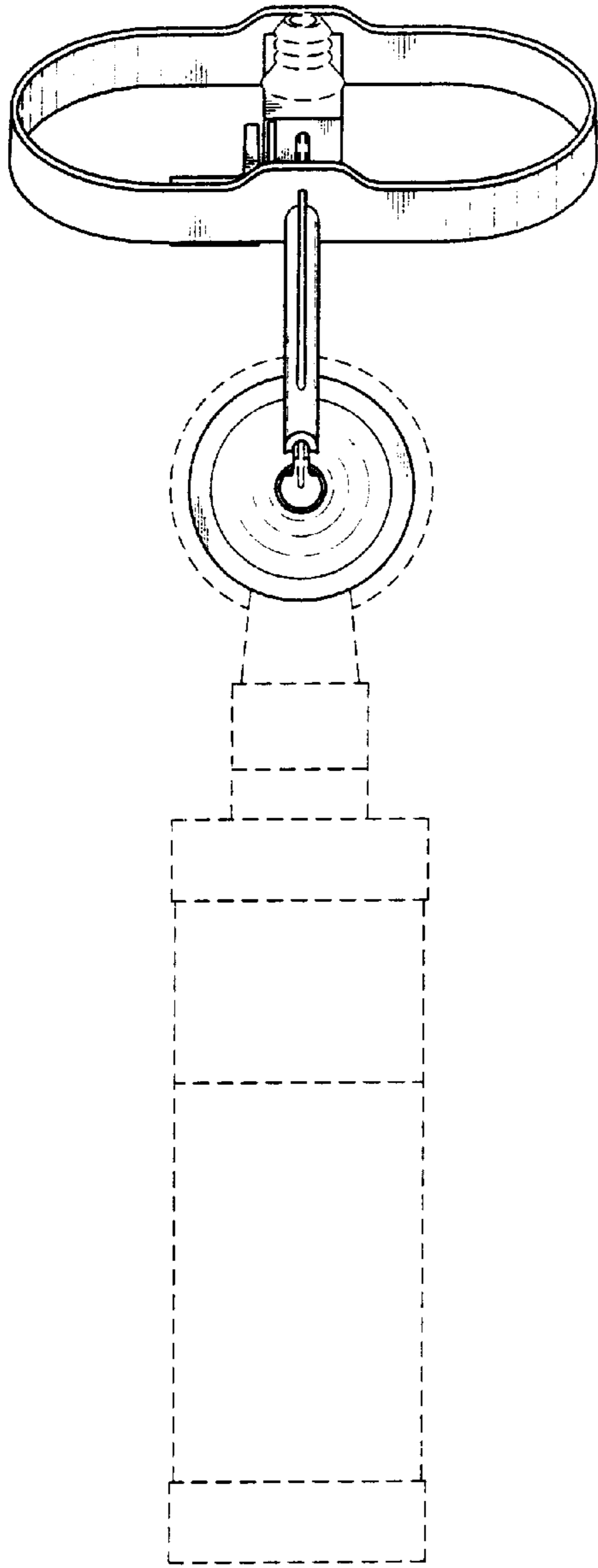


Fig. 8

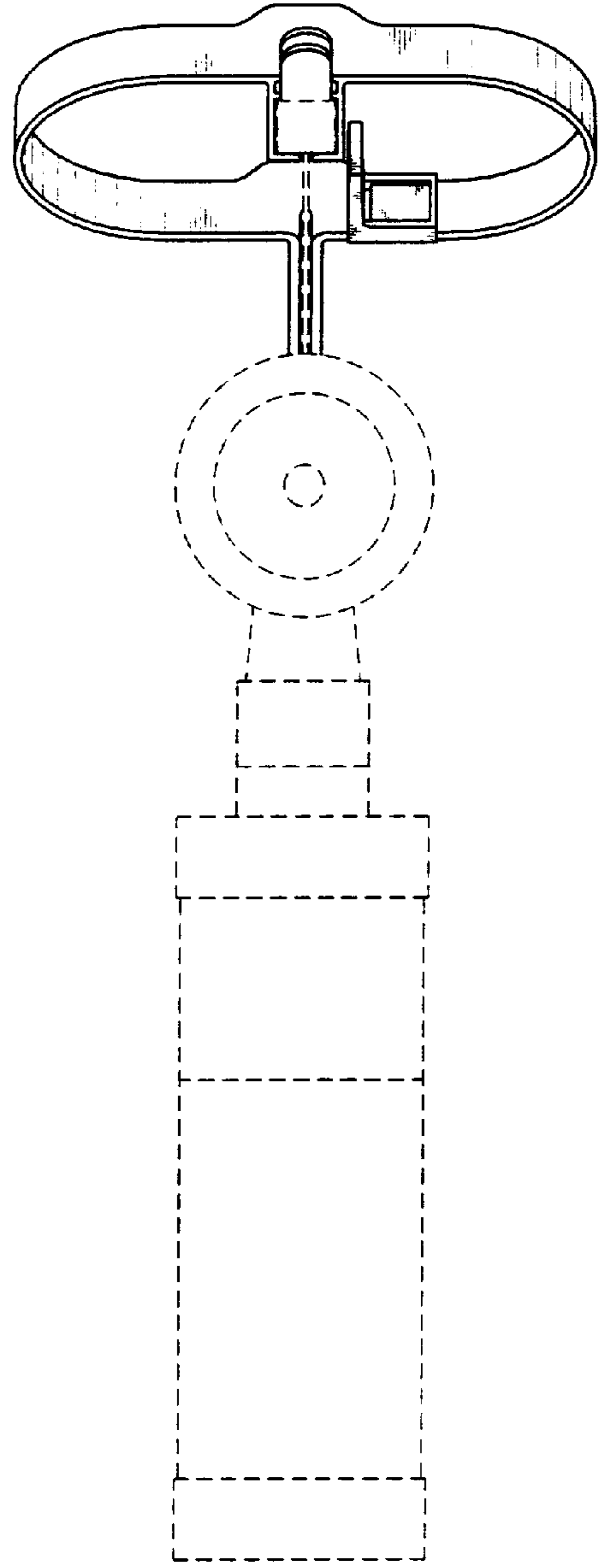


Fig. 9

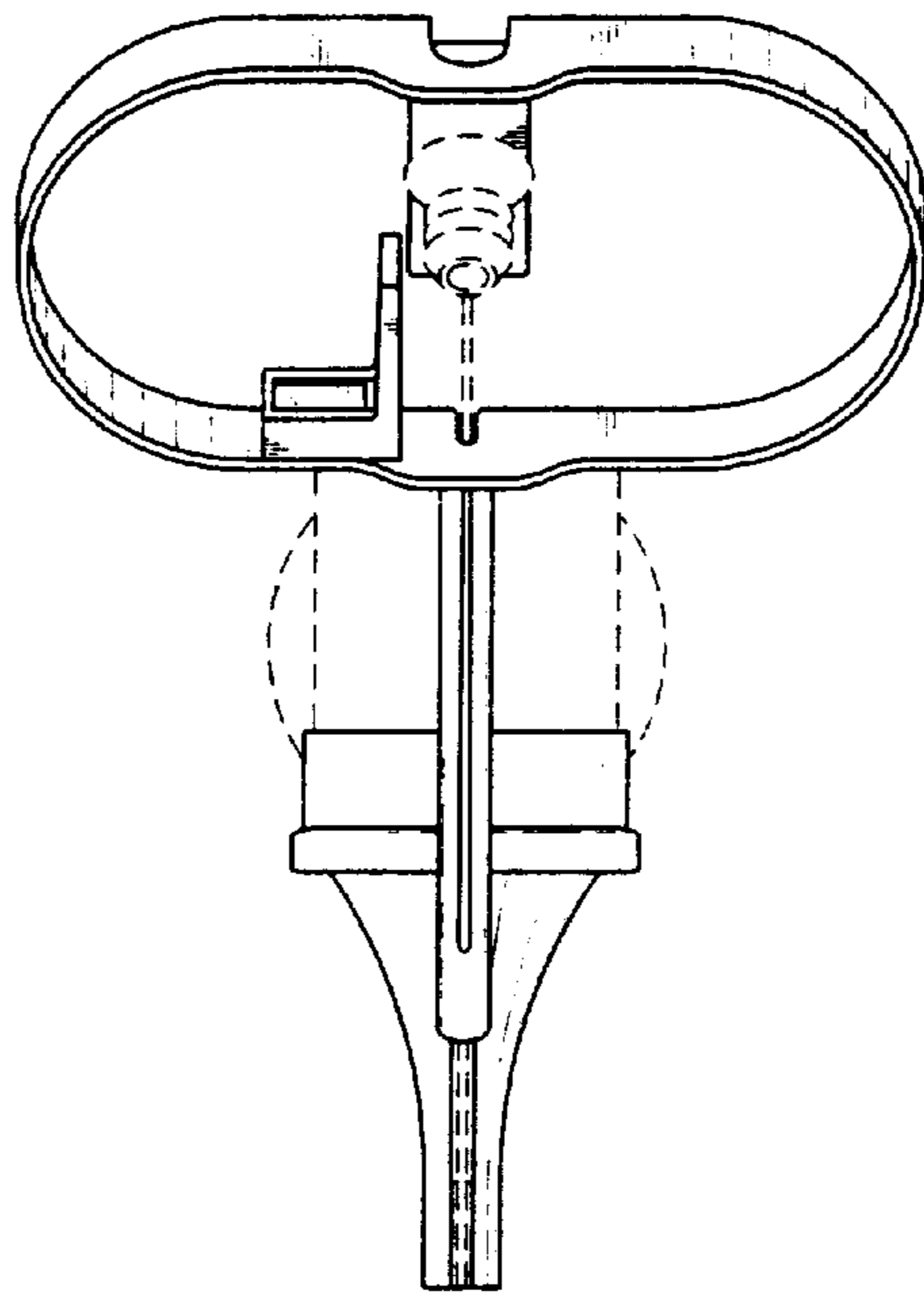


Fig. 10

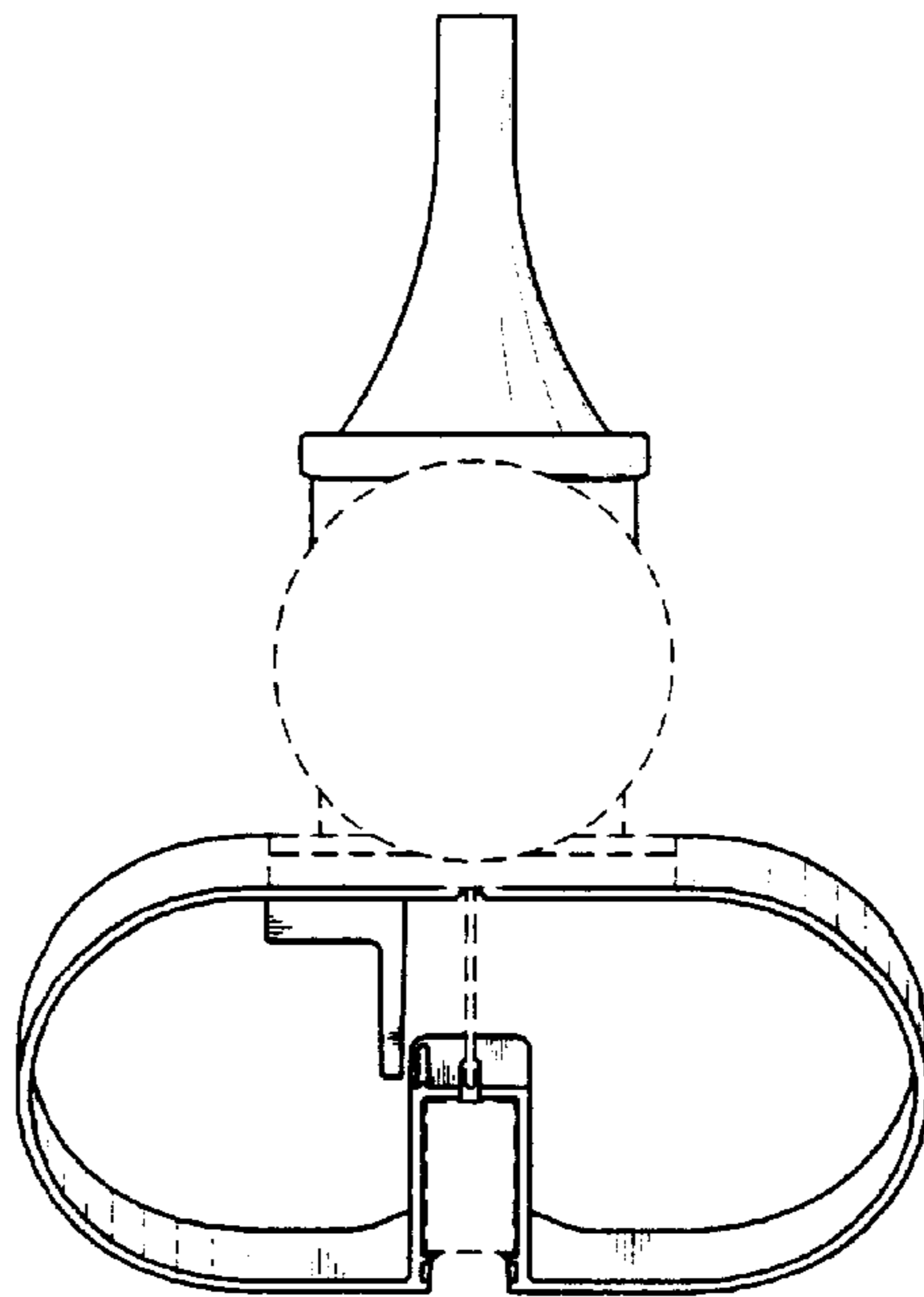


Fig. 11

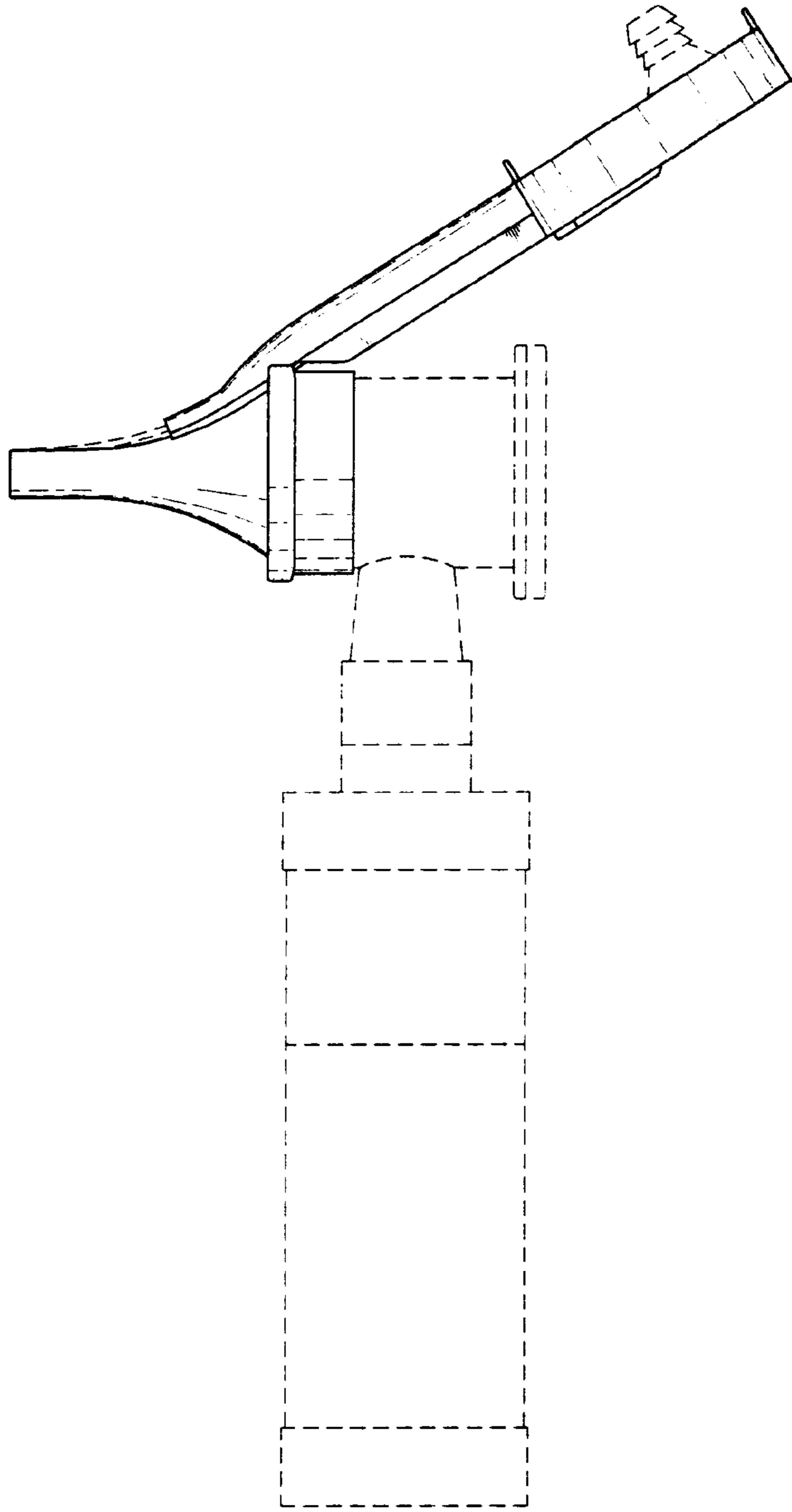


Fig. 12