



US00D439334S

(12) **United States Design Patent**
Hershberger et al.

(10) **Patent No.:** **US D439,334 S**

(45) **Date of Patent:** **** Mar. 20, 2001**

(54) **HANDPIECE FOR A SURGICAL TOOL**

(75) Inventors: **David E. Hershberger**, Paw Paw; **Kris D. Eager**, Richland, both of MI (US)

(73) Assignee: **Stryker Corporation**, Kalamazoo, MI (US)

(**) Term: **14 Years**

(21) Appl. No.: **29/095,521**

(22) Filed: **Oct. 26, 1998**

(51) **LOC (7) Cl.** **24-02**

(52) **U.S. Cl.** **D24/133**

(58) **Field of Search** D24/113, 133,
D24/145, 146, 152, 176; D8/61, 62; 606/104,
180, 177, 176, 167; 81/57.11, 57.14, 57.13,
177.6, 177.4, 436, 438, 463; 173/170, 217,
90-93

(56) **References Cited**

U.S. PATENT DOCUMENTS

D. 262,823	*	1/1982	House, II	D24/146
D. 269,588		7/1983	Ludwig .		
D. 329,092	*	9/1992	Carusillo et al.	D24/146
D. 353,888	*	12/1994	Raines	D24/146
D. 364,463	*	11/1995	Pitzen et al.	D24/146
5,207,697	*	5/1993	Carusillo et al.	606/167
5,439,472	*	8/1995	Evans et al.	606/176
5,609,603	*	3/1997	Linden	606/177
5,747,953		5/1998	Philipp .		
5,902,306	*	5/1999	Norman	606/104
5,947,989	*	9/1999	Shikhman et al.	606/180

OTHER PUBLICATIONS

CEBOTOME™ Drill Brochure, Dec., 1990, 1 page.
Stryker Ortho Power 90 Drill Brochure, Dec., 1990, 2 pages.
Zimmer VERSIPOWER® PLUS Brochure, Dec., 1994, 7 pages.
3M MAXI-DRIVER™ Brochure, Dec. 1994, 5 pages.
deSouter Rodal Brochure, Dec., 1995, 4 pages.
Hall Series 4 Oscillator Brochure, Jun., 1997, 1 page.
Sodem Power System Brochure, Jun., 1997, 6 pages.

* cited by examiner

Primary Examiner—Louis S. Zarfes

Assistant Examiner—Eric Watterson

(74) *Attorney, Agent, or Firm*—Flynn, Thiel, Boutell & Tanis, P.C.

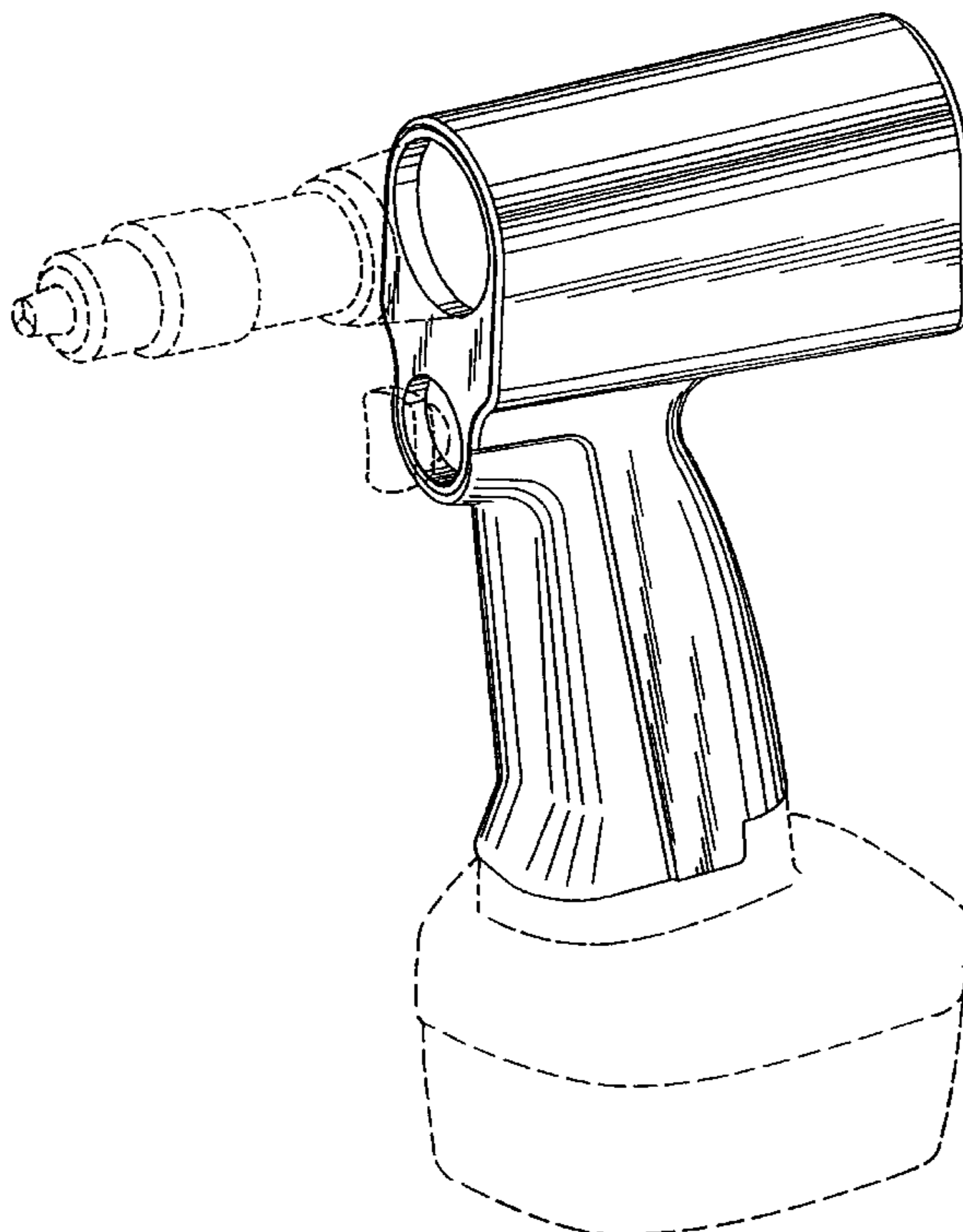
(57) **CLAIM**

The ornamental design of a handpiece for a surgical tool, as shown and described.

DESCRIPTION

FIG. 1 is a front perspective view of the handpiece for a surgical tool of our design;
FIG. 2 is a front perspective view, the broken line showing of the environmental structure is for illustrative purposes only and form no part of the claimed design;
FIG. 3 is a left side view thereof, the right side view being a mirror image of the left side view;
FIG. 4 is a front view thereof;
FIG. 5 is a rear view thereof;
FIG. 6 is a top view thereof; and,
FIG. 7 is a bottom view thereof.

1 Claim, 5 Drawing Sheets



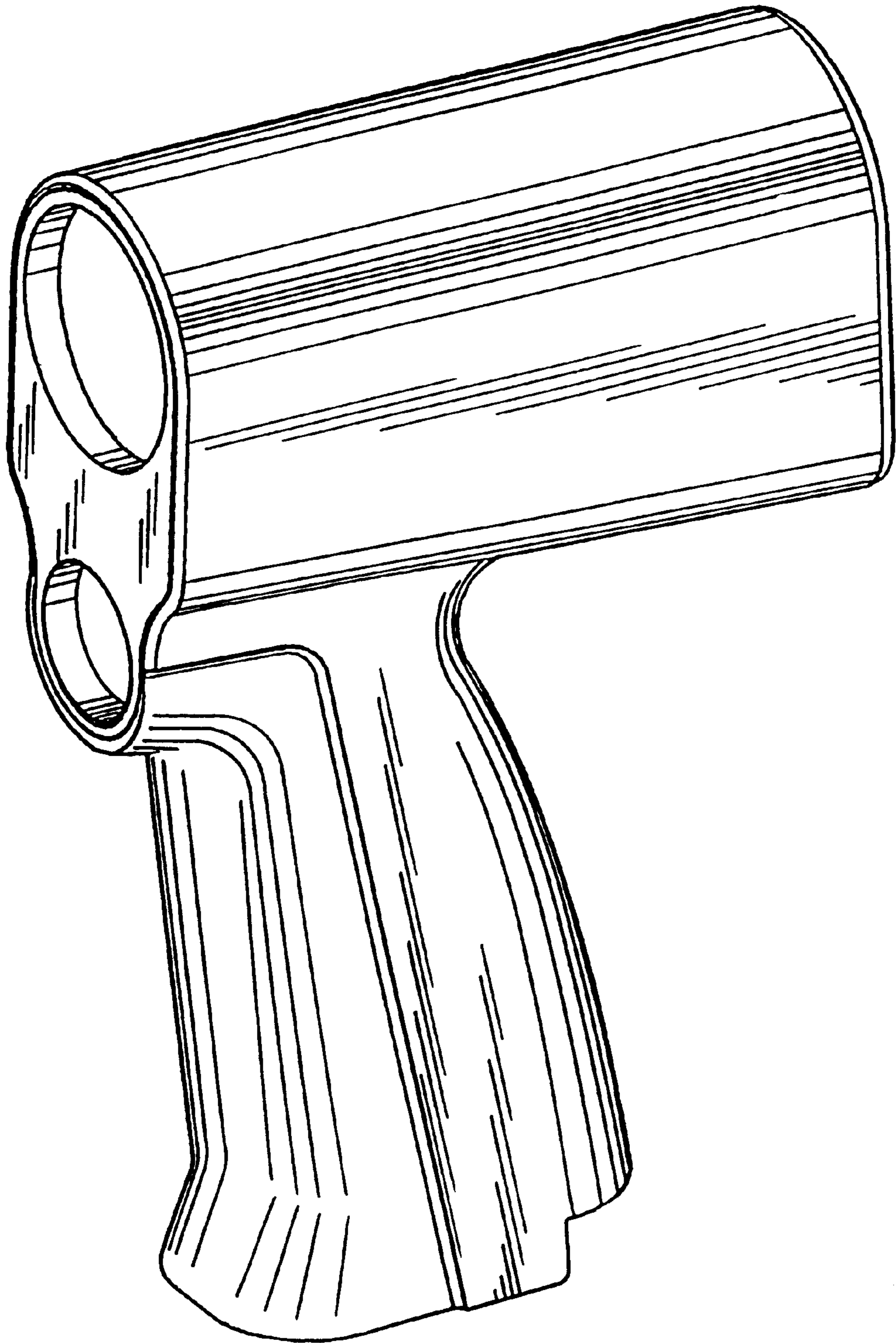


FIG. 1

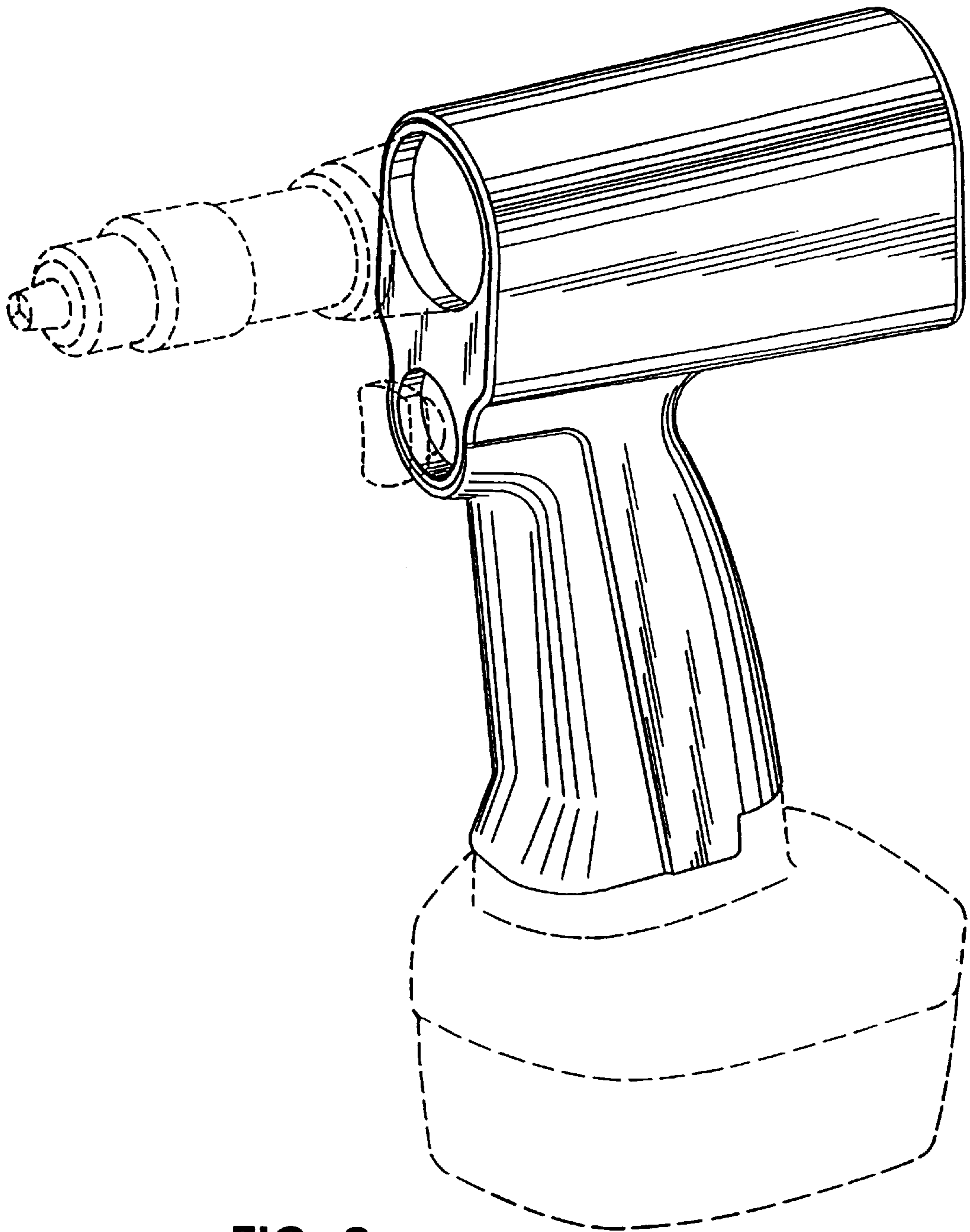


FIG. 2

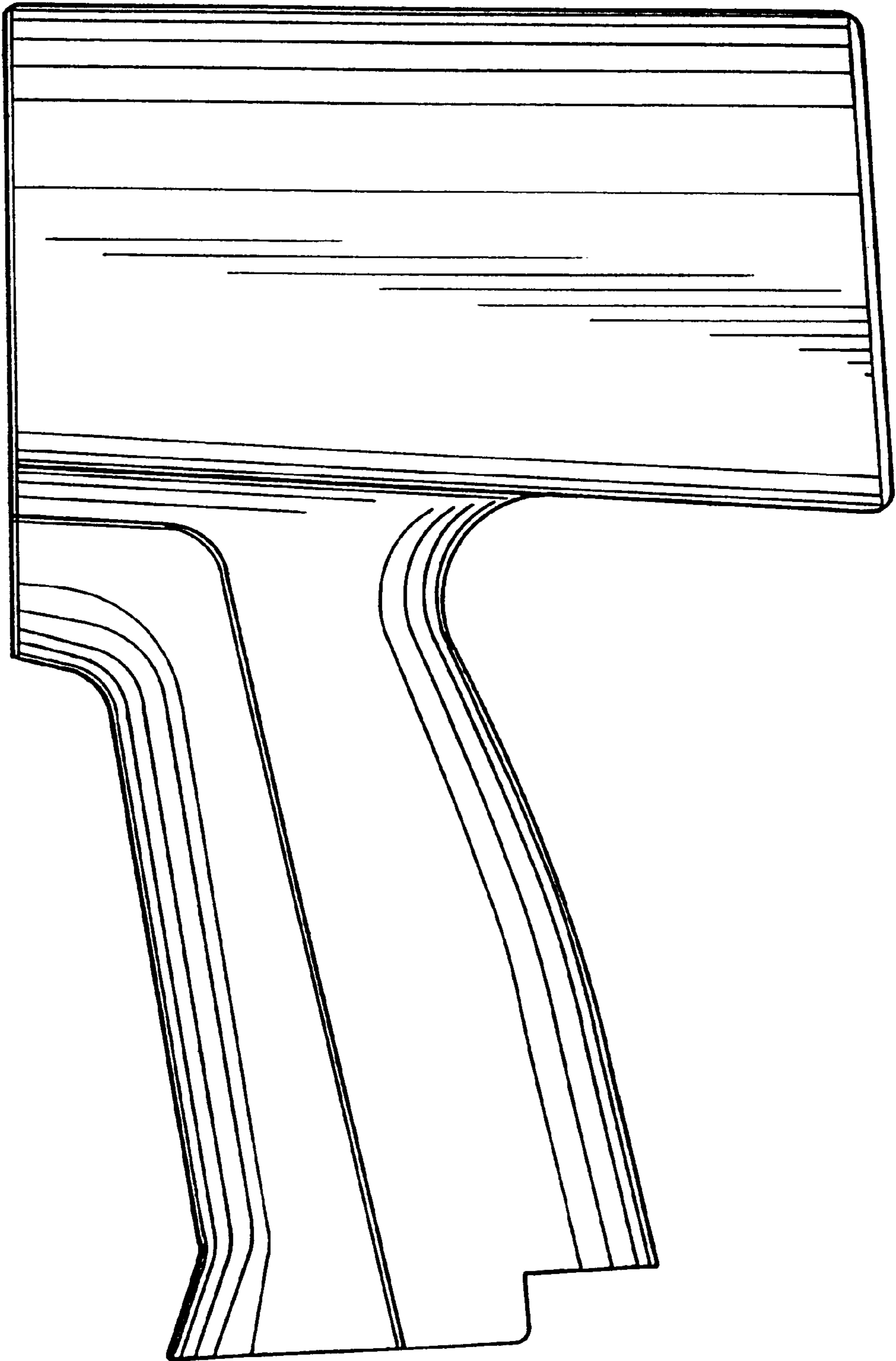


FIG. 3

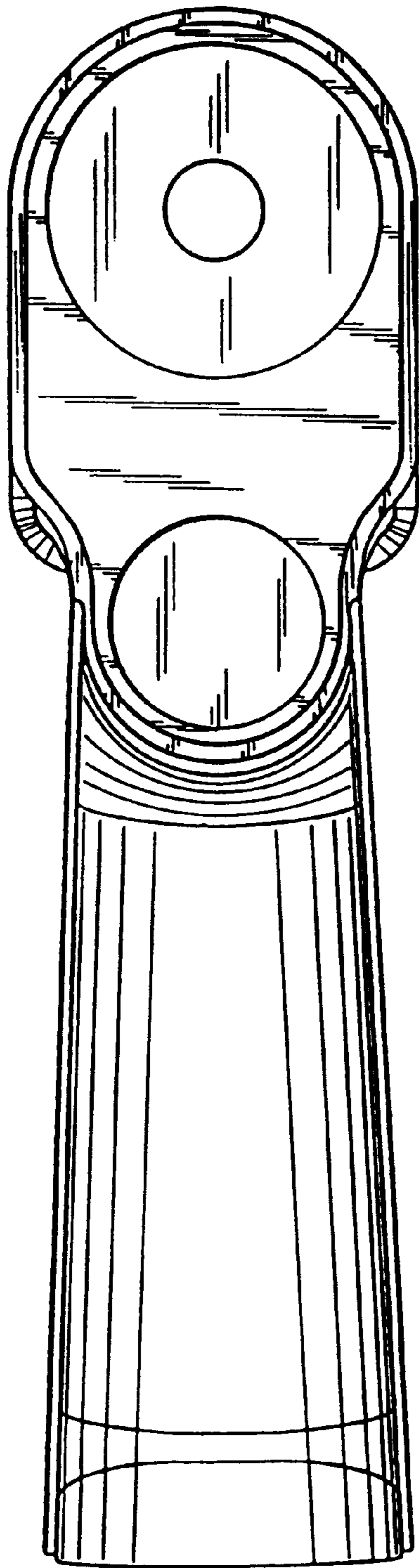


FIG. 4

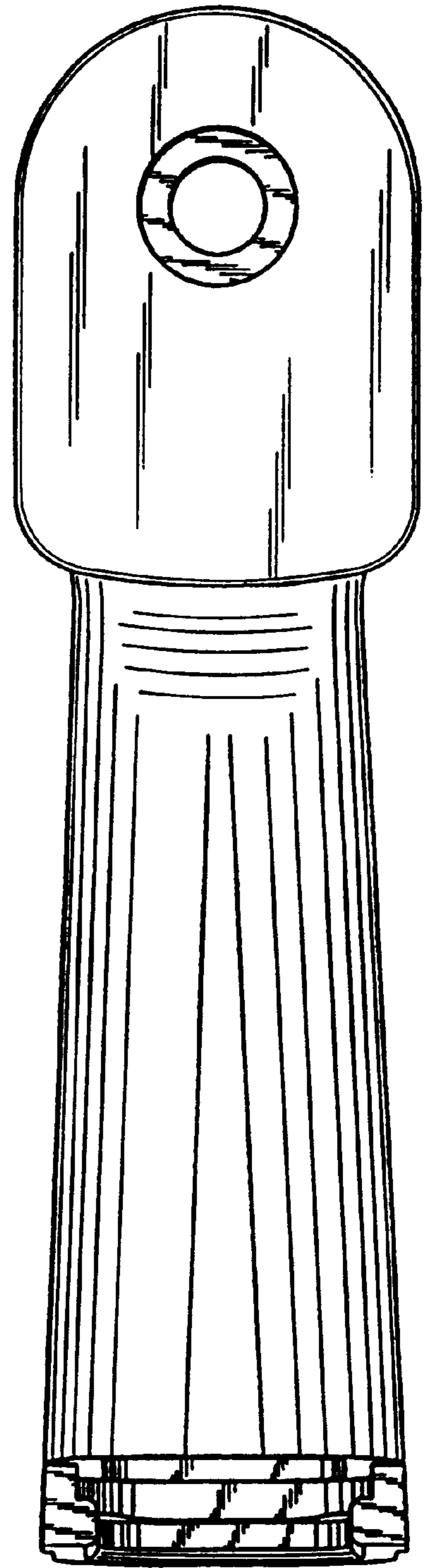


FIG. 5

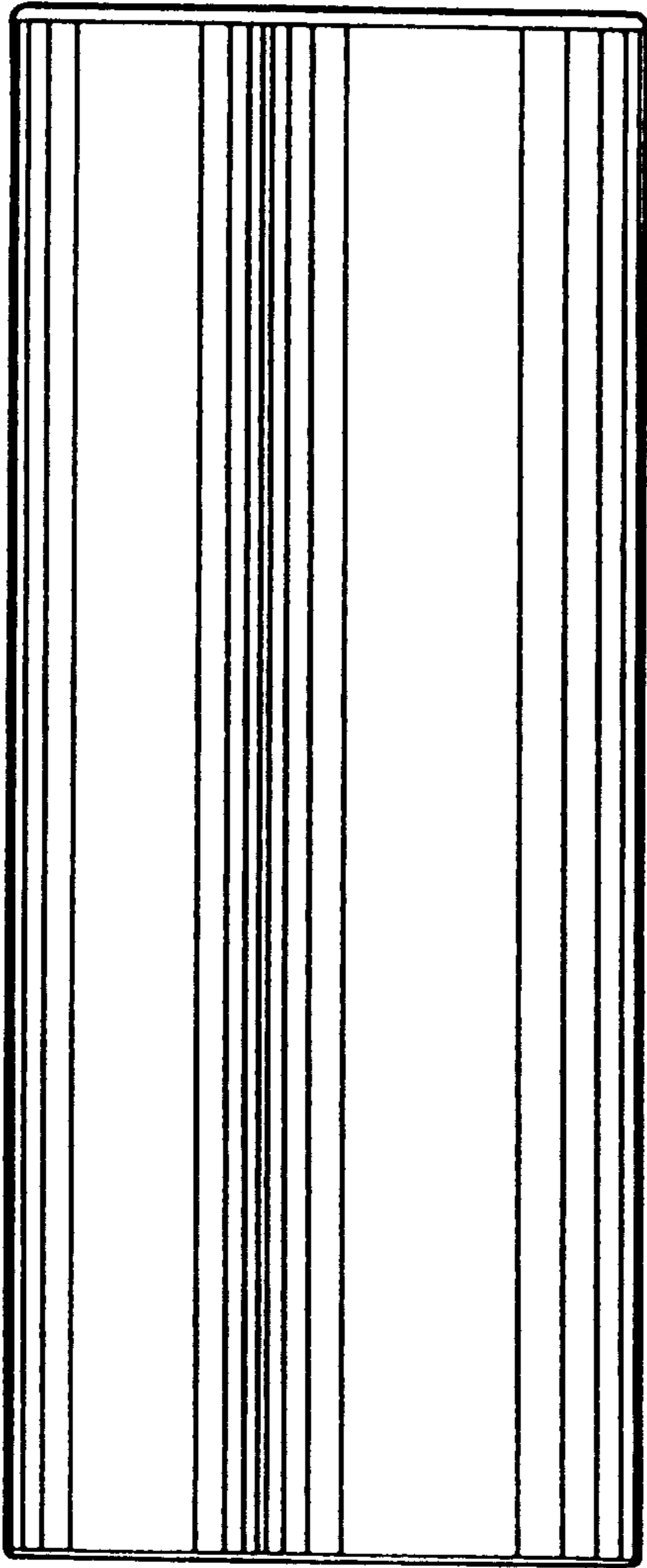


FIG. 6

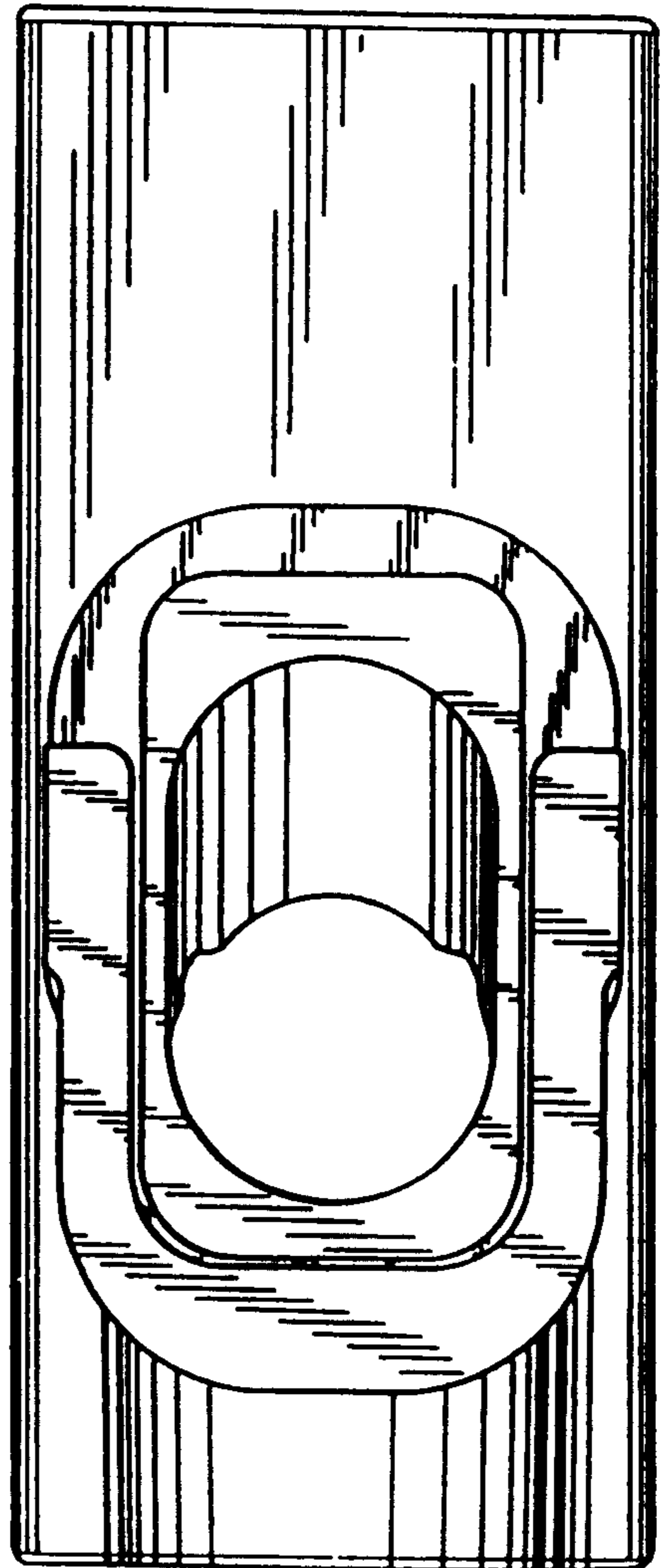


FIG. 7