



US00D439329S

(12) **United States Design Patent**  
**Grosfillex**

(10) **Patent No.:** **US D439,329 S**

(45) **Date of Patent:** **\*\* Mar. 20, 2001**

(54) **PANEL CONNECTING AND FINISHING STRIP**

(75) **Inventor:** **Raymond Grosfillex, Oyonnax (FR)**

(73) **Assignee:** **Grosfillex Sarl, Oyonnax (FR)**

(\*\*) **Term:** **14 Years**

(21) **Appl. No.:** **29/118,062**

(22) **Filed:** **Feb. 3, 2000**

**Related U.S. Application Data**

(62) Division of application No. 29/093,077, filed on Sep. 2, 1998, now Pat. No. Des. 423,690.

(30) **Foreign Application Priority Data**

Mar. 2, 1998 (XH) ..... DMA/ 00431

(51) **LOC (7) Cl.** ..... **25-01**

(52) **U.S. Cl.** ..... **D24/124**

(58) **Field of Search** ..... D25/119, 120,  
D25/121, 124, 136; 52/470, 471, 465, 468,  
469

(56) **References Cited**

**U.S. PATENT DOCUMENTS**

D. 269,910 \* 7/1983 Johansson ..... D25/124  
4,689,930 \* 9/1987 Menchetti ..... 52/468

\* cited by examiner

*Primary Examiner*—Doris Clark

(74) *Attorney, Agent, or Firm*—Dowell & Dowell, P.C.

(57) **CLAIM**

The ornamental design for a panel connecting and finishing strip, as shown and described.

**DESCRIPTION**

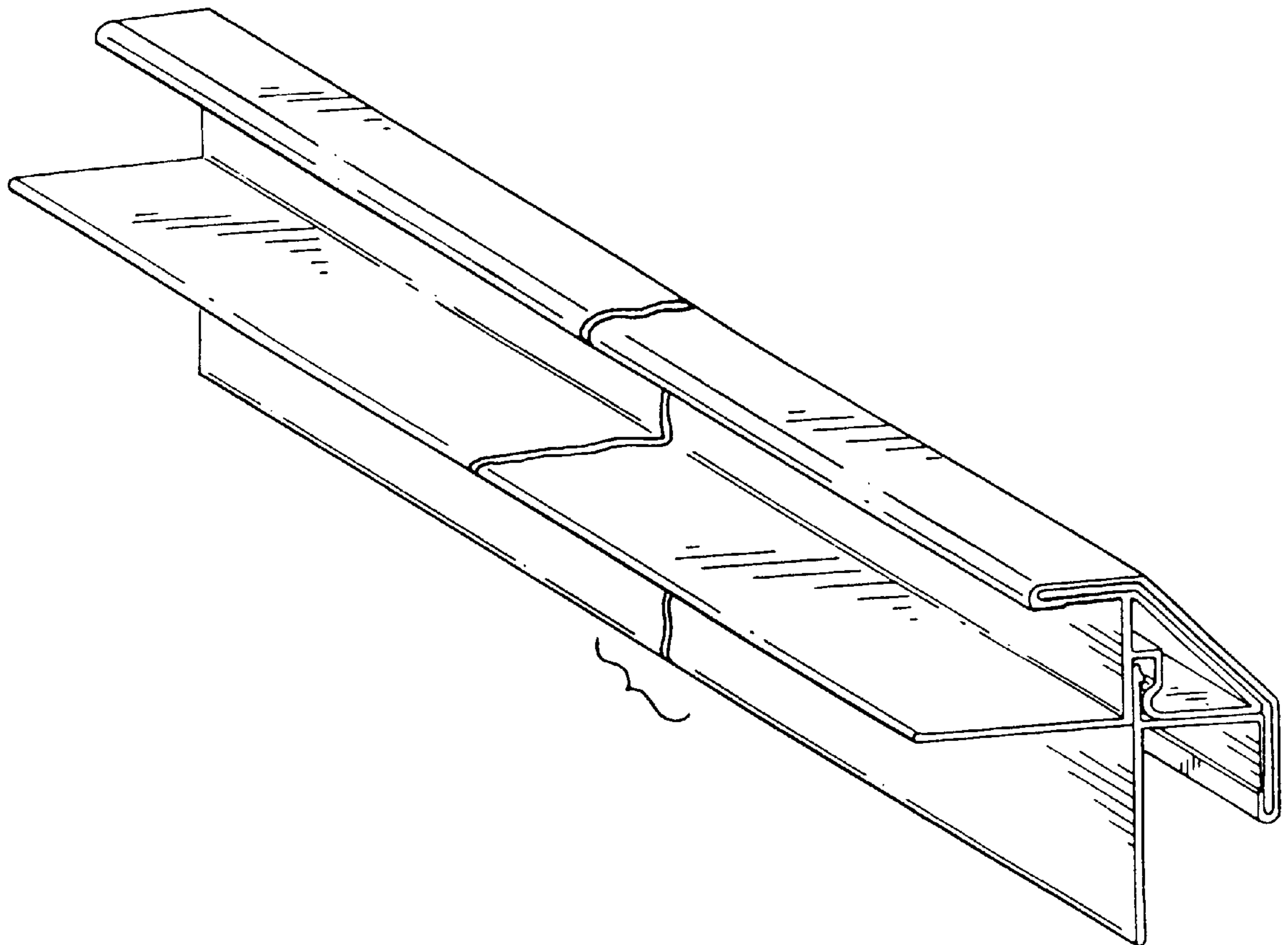
FIG. 1 is a top perspective view of a panel connecting and finishing strip showing my new design;

FIG. 2 is a rear elevational view;

FIG. 3 is a top plan view; and,

FIG. 4 is a bottom plan view thereof.

**1 Claim, 2 Drawing Sheets**



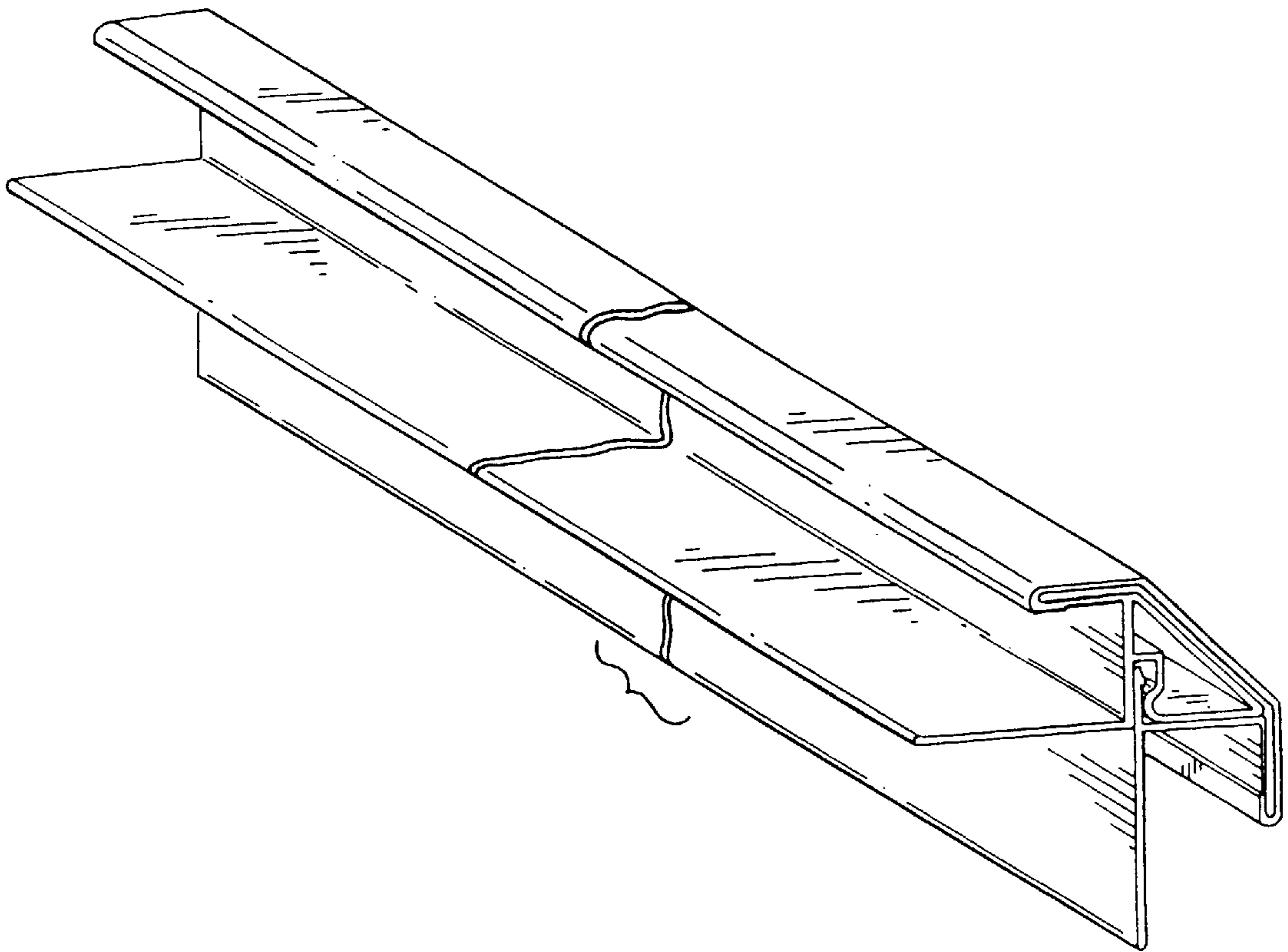


FIG. 1

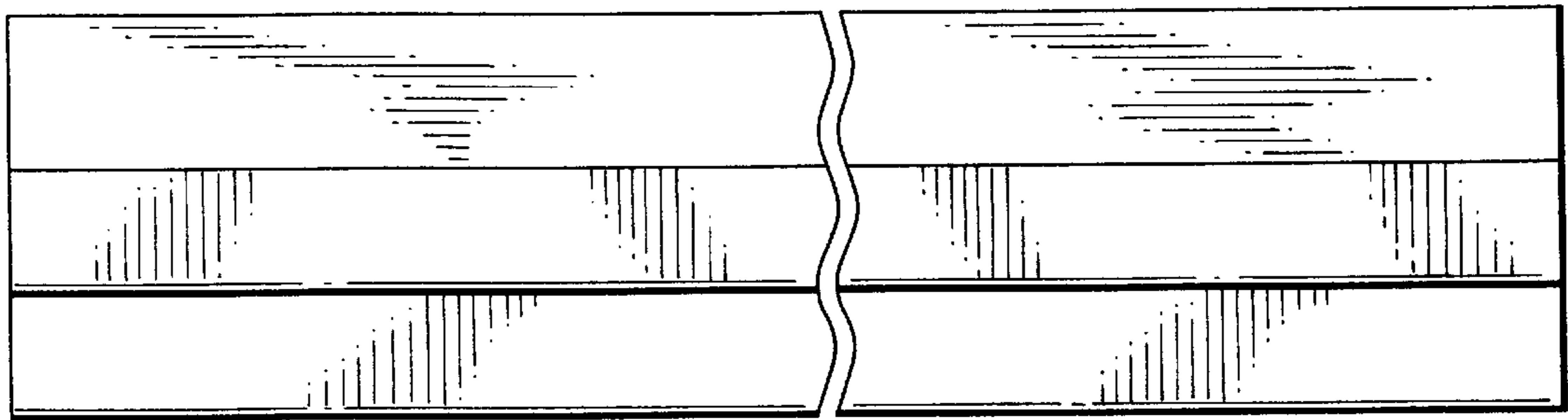


FIG. 2

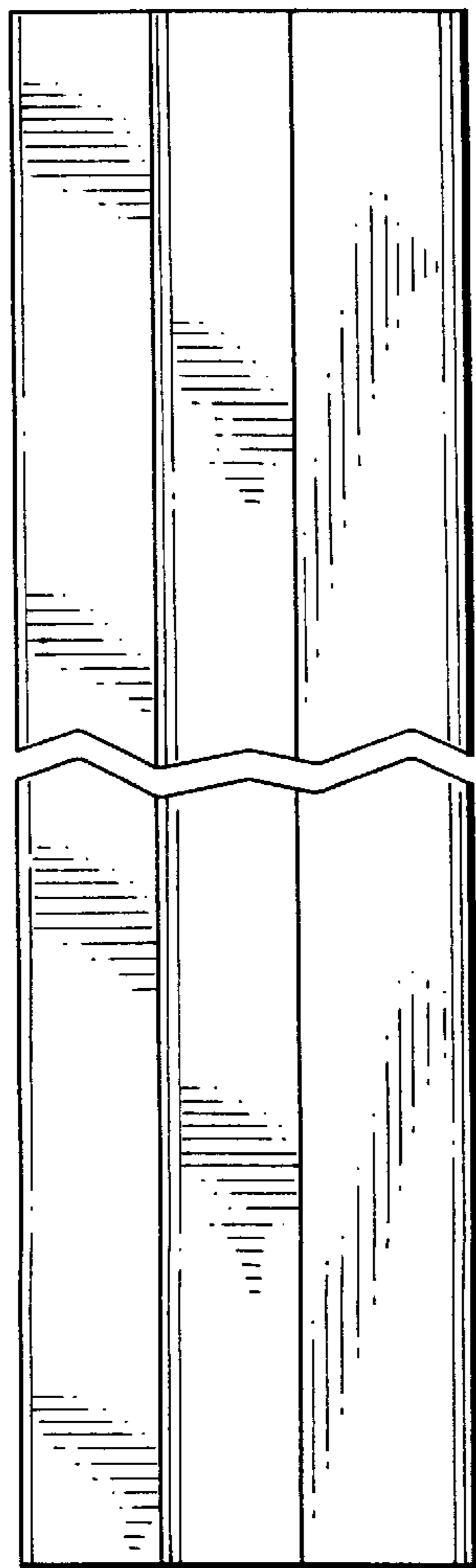


FIG. 3

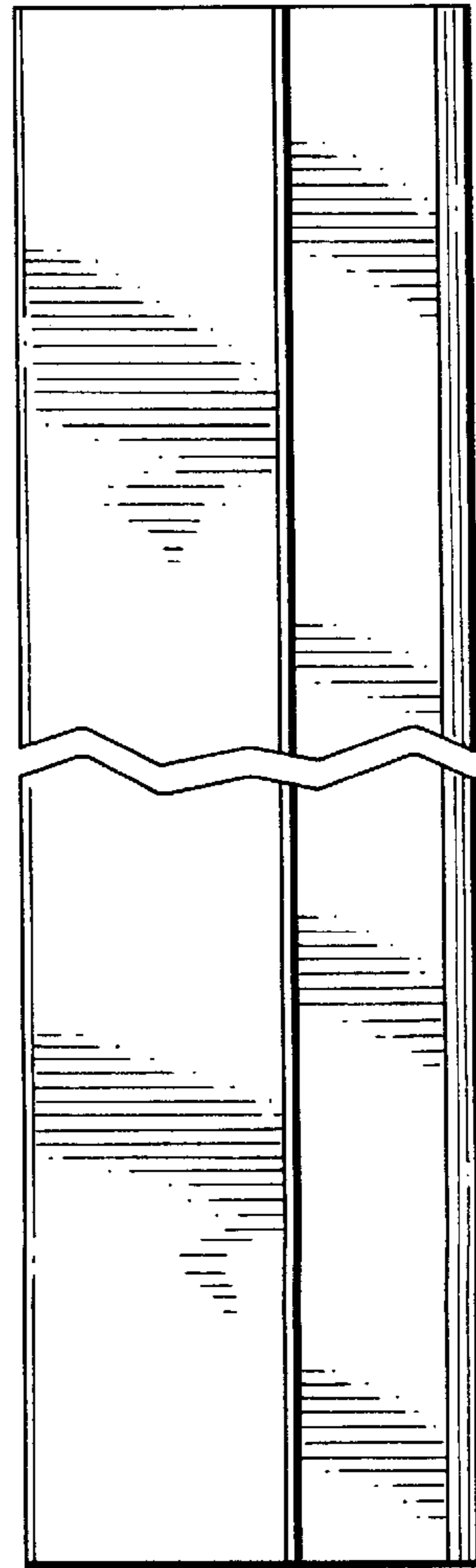


FIG. 4