



US00D439326S

(12) **United States Design Patent**
Hecker et al.

(10) **Patent No.:** **US D439,326 S**

(45) **Date of Patent:** **** Mar. 20, 2001**

(54) **NASAL RESPIRATION MASK**

(75) Inventors: **Karl-Heinz Hecker**, Chiemgau; **Rudolf Schinagl**, Unterhaching, both of (DE)

(73) Assignee: **MPV-Truma Gesellschaft Fuer Medizintechnische Produkte mbH**, Munich (DE)

(**) Term: **14 Years**

(21) Appl. No.: **29/114,614**

(22) Filed: **Nov. 29, 1999**

(30) **Foreign Application Priority Data**

May 31, 1999 (DE) 4 99 05 622

(51) **LOC (7) Cl.** **29-02**

(52) **U.S. Cl.** **D24/110.5; D24/110.1**

(58) **Field of Search** **D24/110.5, 110.4, D24/110.1; 128/207.11, 206.27, 202.27, 204.11, 205.25, 207.18**

(56) **References Cited**

U.S. PATENT DOCUMENTS

D. 402,755 * 12/1998 Kwok D24/110.4
5,042,478 * 8/1991 Kopala et al. 128/207.18

5,542,128 * 8/1996 Lomas 128/207.11

5,560,354 * 10/1996 Berthon-Jones et al. 128/205.25

5,687,715 * 11/1997 Landis et al. 128/207.18

6,044,844 * 4/2000 Kwok et al. 128/207.11

* cited by examiner

Primary Examiner—Ian Simmons

(74) *Attorney, Agent, or Firm*—Jordan and Hamburg LLP

(57) **CLAIM**

The ornamental design for a nasal respiration mask, as shown and described.

DESCRIPTION

FIG. 1 is a top and right side perspective view of a nasal respiration mask showing my new design;

FIG. 2 is a bottom and right side perspective view thereof;

FIG. 3 is a bottom and right side perspective view thereof more fully showing the bottom;

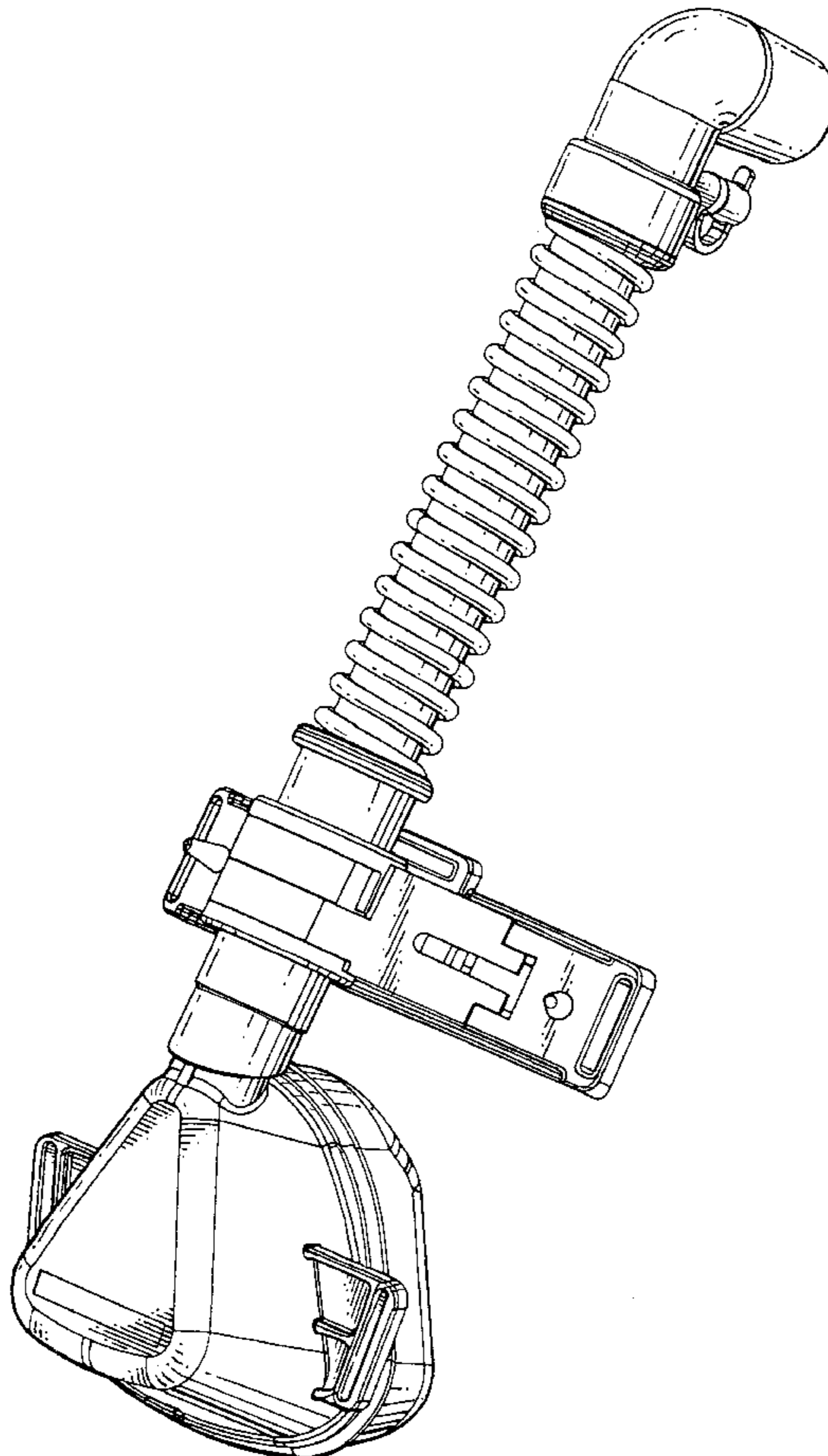
FIG. 4 is a top plan view thereof;

FIG. 5 is a right side elevation view thereof, the left side elevation view (not shown) being a mirror image of the right side elevation view;

FIG. 6 is a bottom plan view thereof; and,

FIG. 7 is an upper end elevation view thereof.

1 Claim, 7 Drawing Sheets



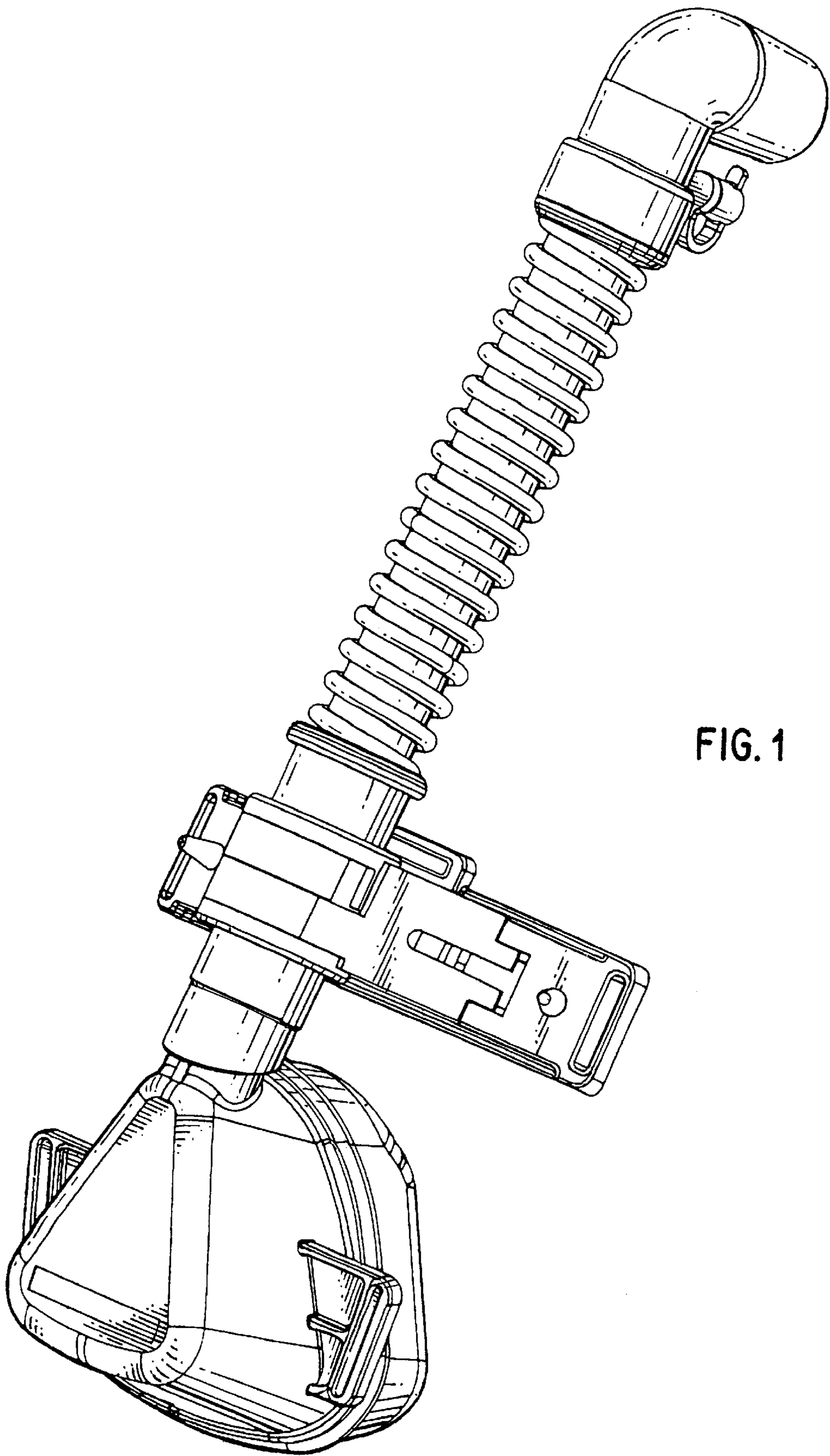


FIG. 1

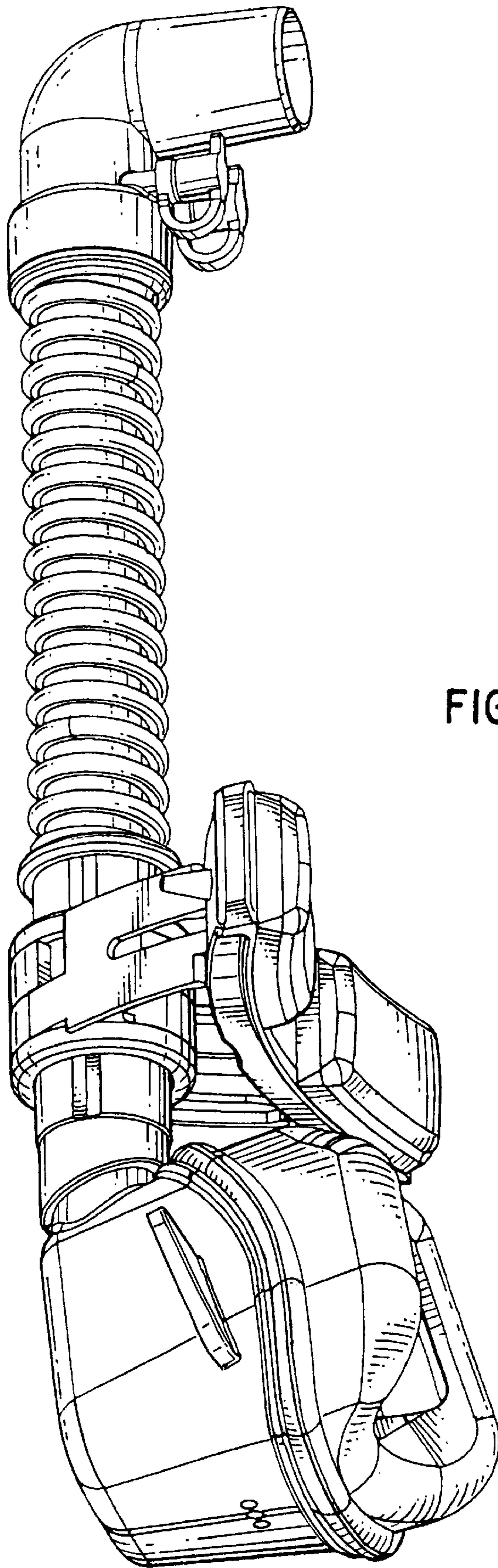


FIG. 2

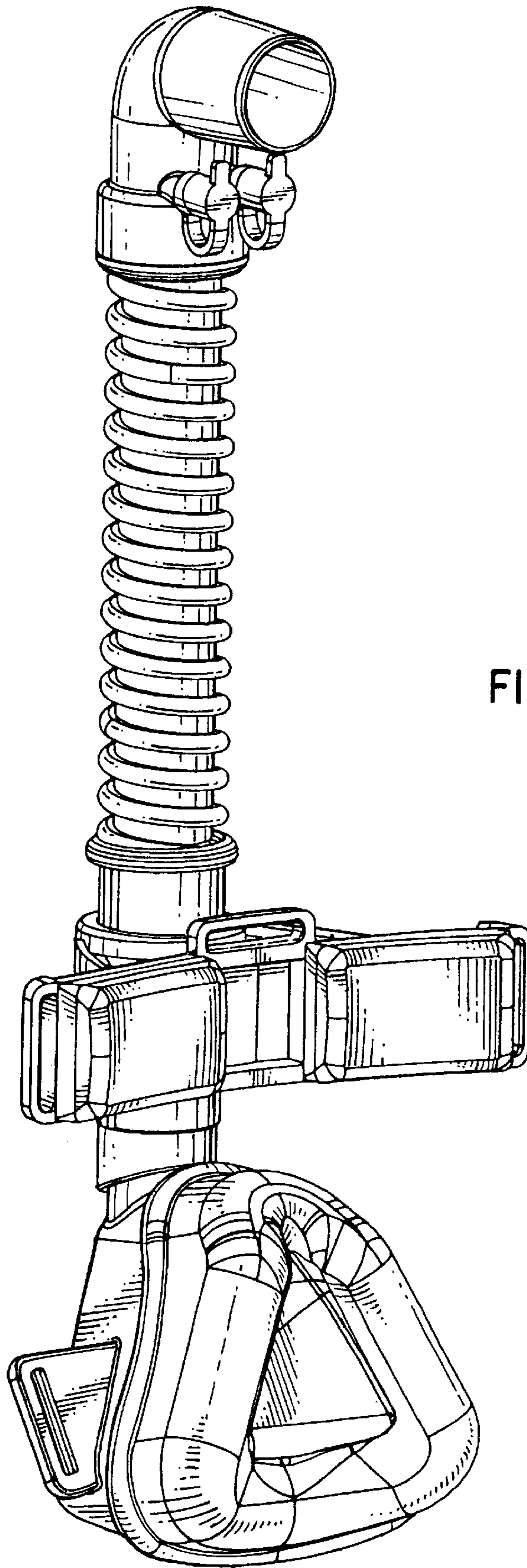


FIG. 3

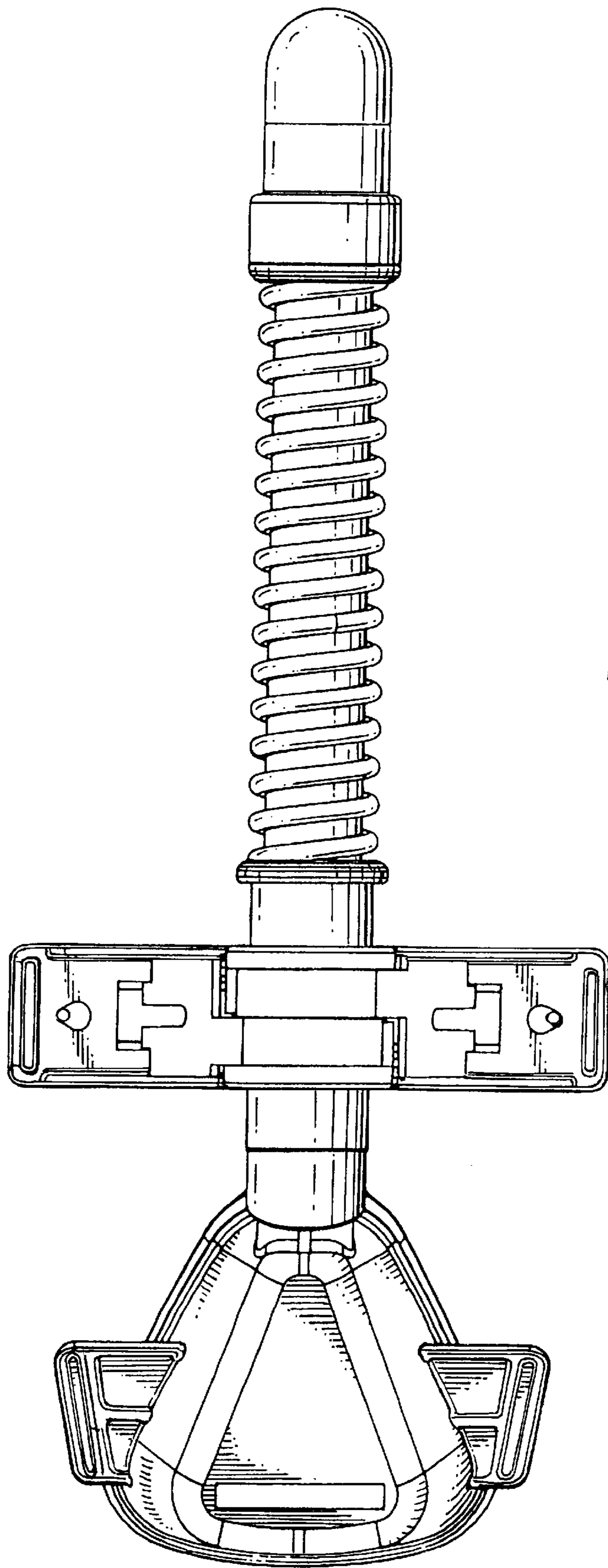


FIG. 4

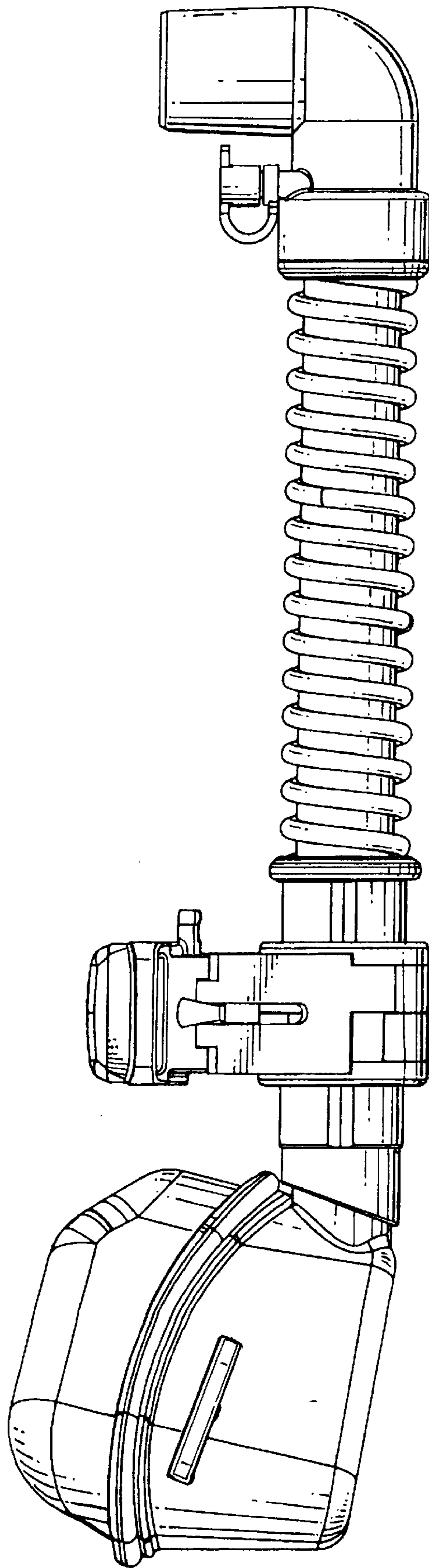


FIG. 5

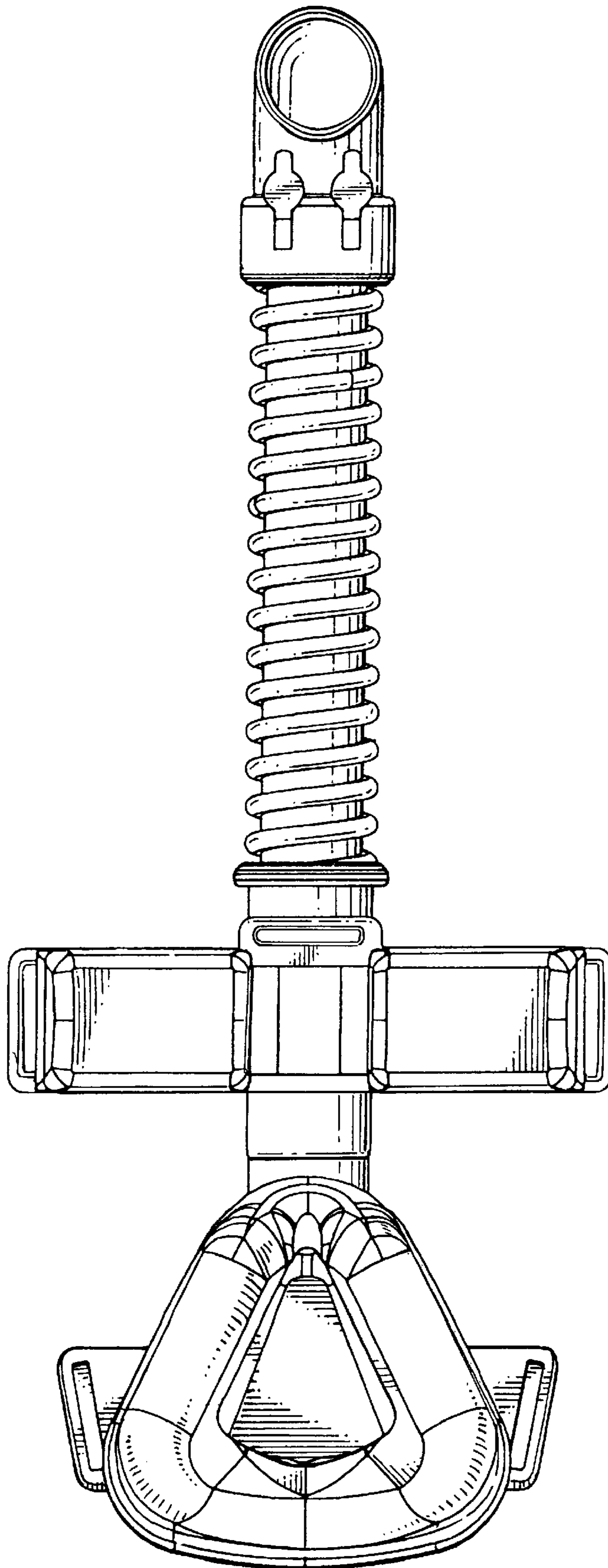


FIG. 6

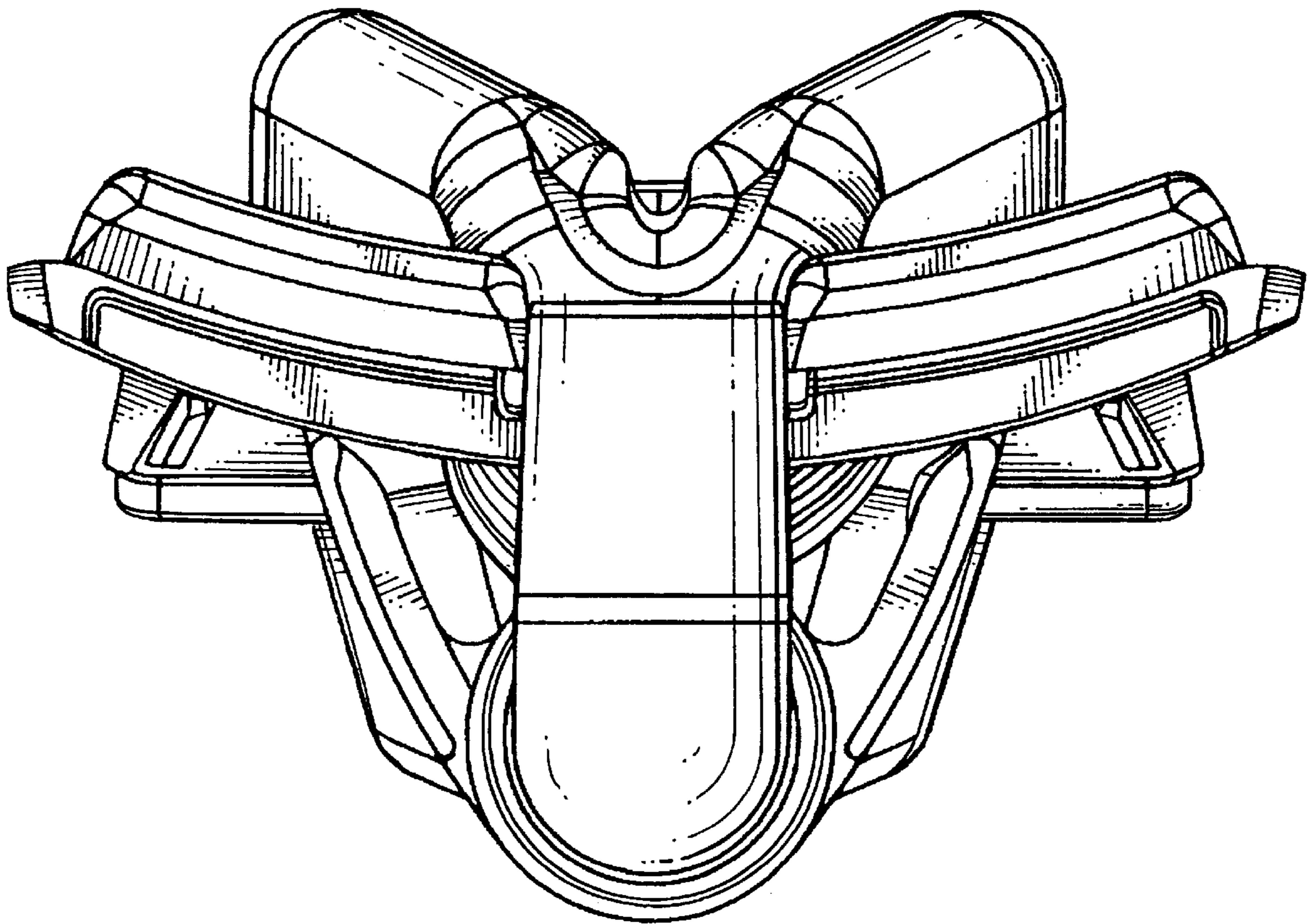


FIG. 7