



US00D439322S

(12) **United States Design Patent**
Lee

(10) **Patent No.:** **US D439,322 S**

(45) **Date of Patent:** **** Mar. 20, 2001**

(54) **COMBINED CEILING FAN AND LIGHT
FIXTURE**

Primary Examiner—Lisa Lichtenstein

(74) *Attorney, Agent, or Firm*—Rosenberg, Klein & Lee

(76) **Inventor:** **Ching-Tan Lee**, No.52,Lane 480,Sec
2,Fenghsi Rd., Taichung Hsien (TW)

(57) **CLAIM**

(**) **Term:** **14 Years**

The ornamental design for a combined ceiling fan and light fixture, as shown and described.

(21) **Appl. No.:** **29/113,571**

DESCRIPTION

(22) **Filed:** **Nov. 9, 1999**

(51) **LOC (7) Cl.** **23-04**

FIG. 1 is a front -left -top perspective view of a combined ceiling fan and light fixture, showing my new design;

(52) **U.S. Cl.** **D23/377; D23/411; D26/59**

FIG. 2 is a front elevational view thereof;

(58) **Field of Search** **D23/377, 379,
D23/385, 411, 413; 416/5; 362/96; 392/364;
D26/81-86, 88, 51, 72, 59**

FIG. 3 is a rear elevational view thereof;

FIG. 4 is a left elevational view thereof;

FIG. 5 is a right elevational view thereof,

(56) **References Cited**

U.S. PATENT DOCUMENTS

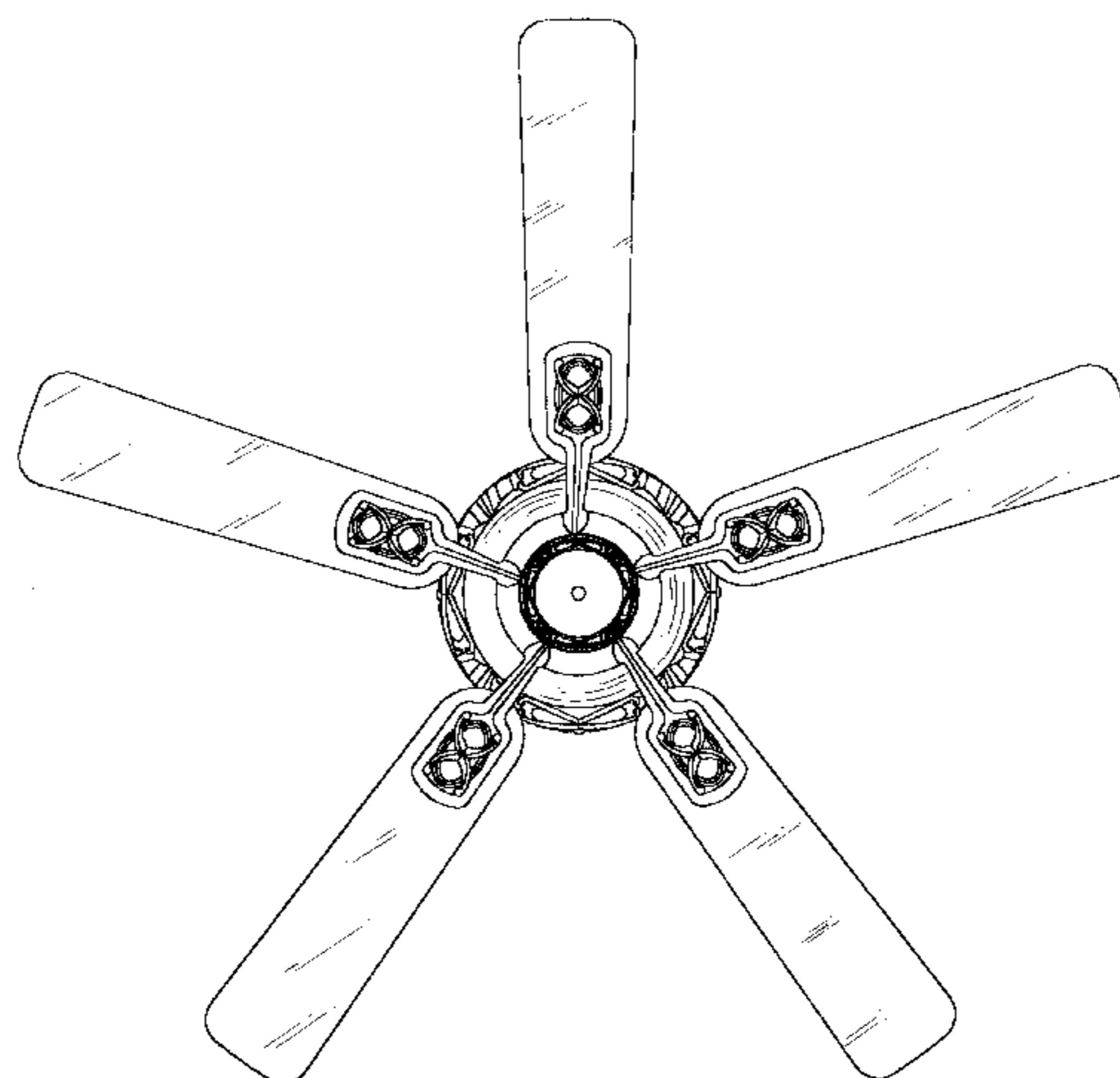
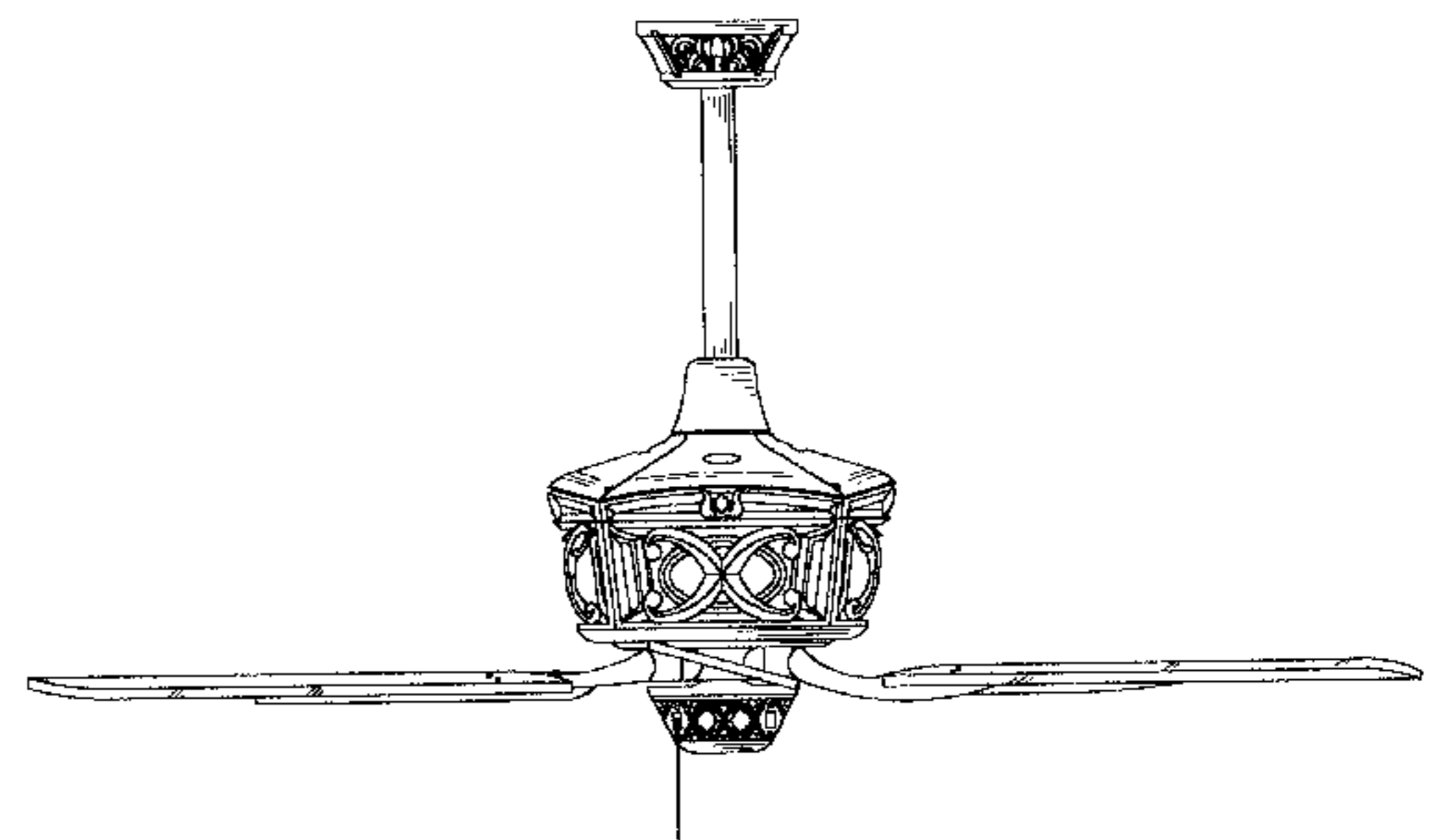
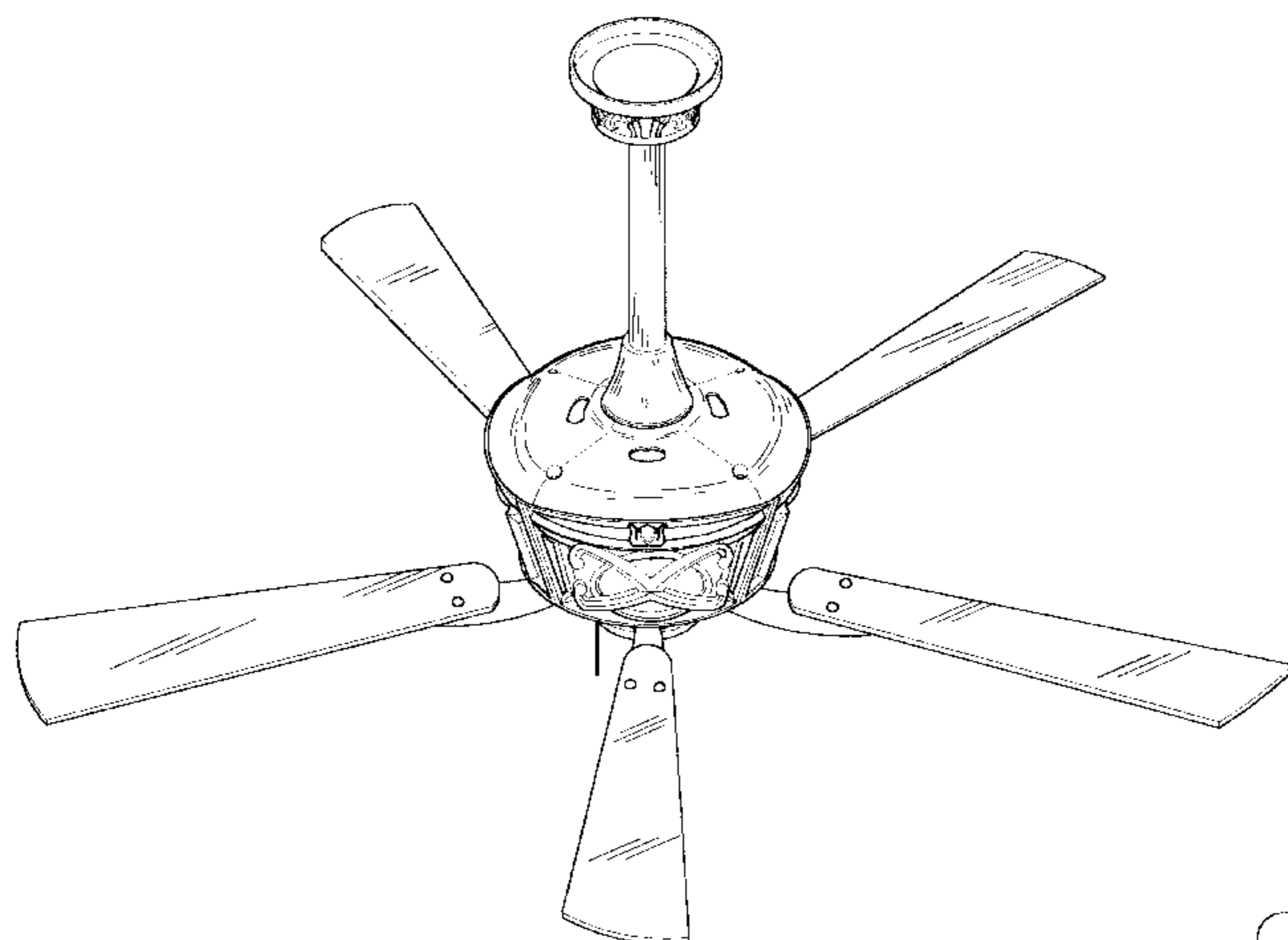
FIG. 6 is a top plan view thereof; and,

FIG. 7 is a bottom plan view thereof.

D. 399,948 * 10/1998 Tsuji D23/377

* cited by examiner

1 Claim, 7 Drawing Sheets



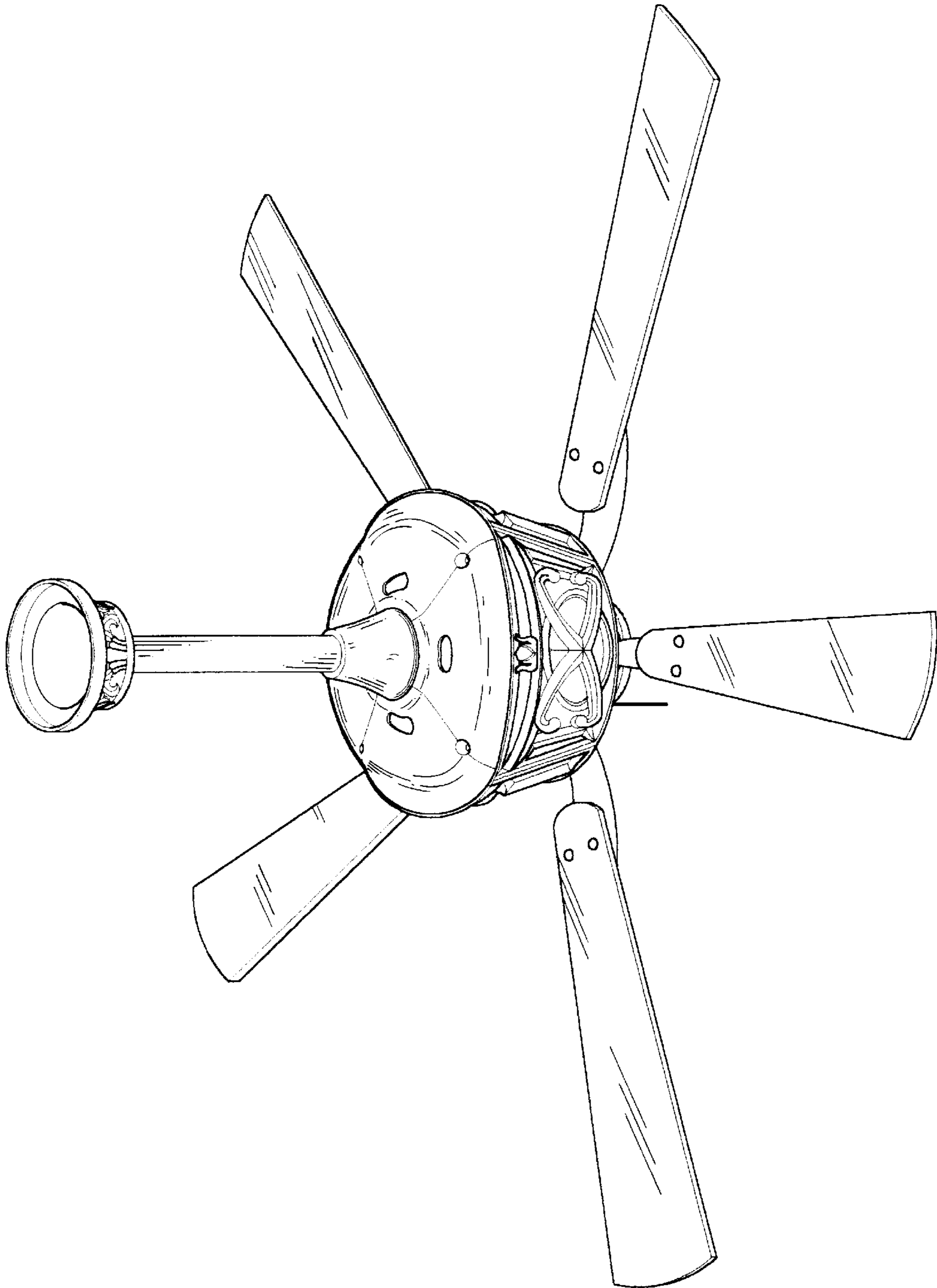


FIG. 1

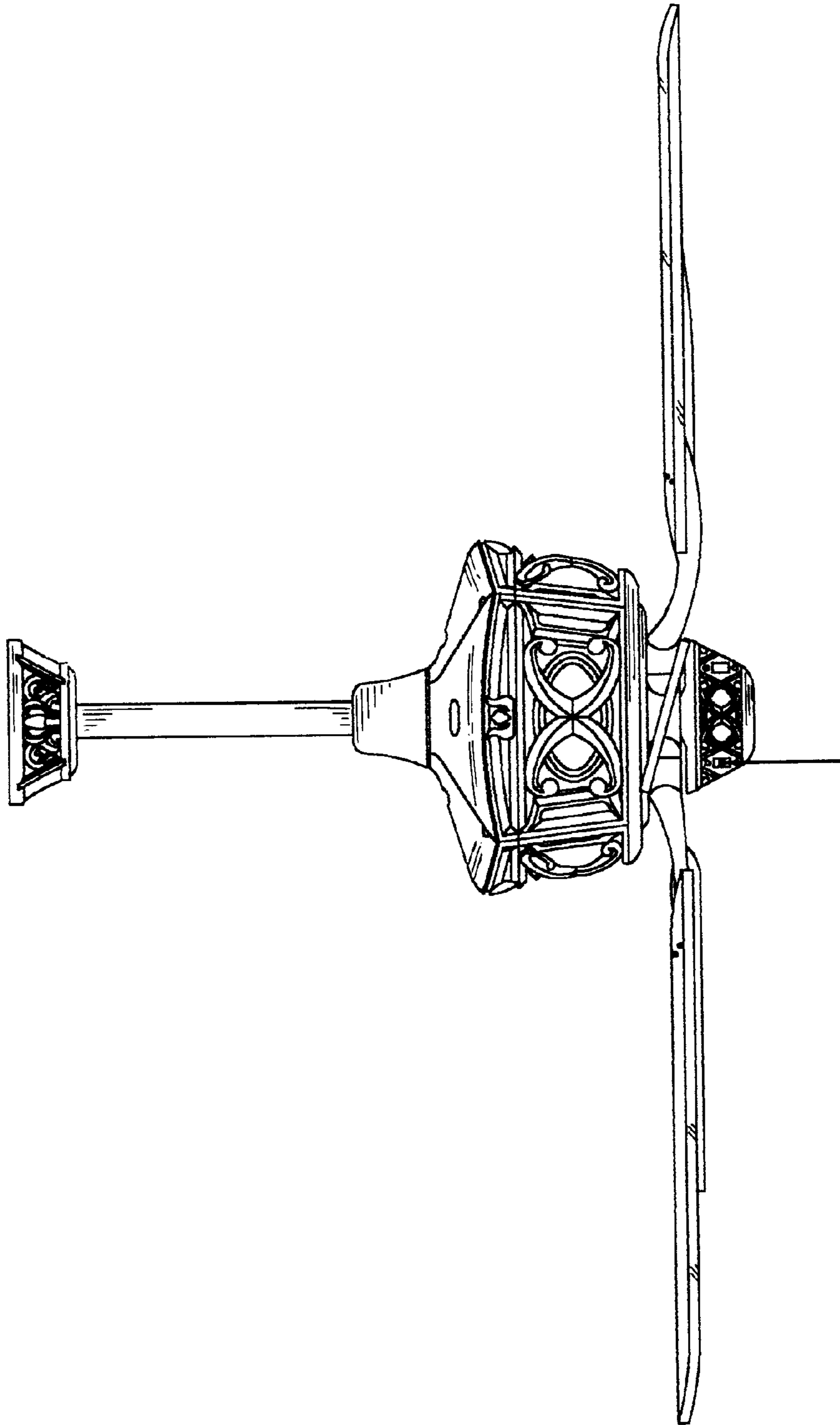


FIG. 2

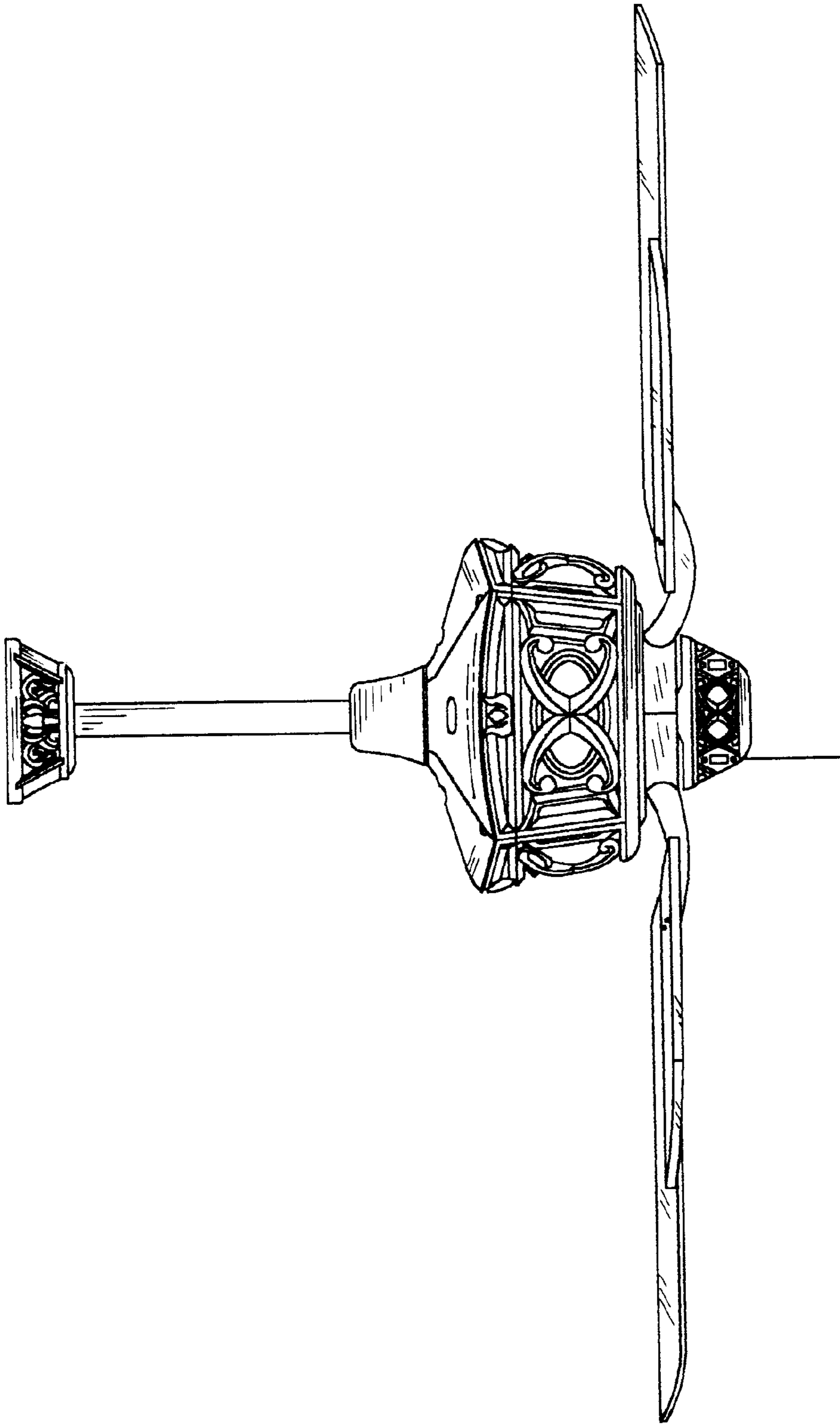


FIG.3

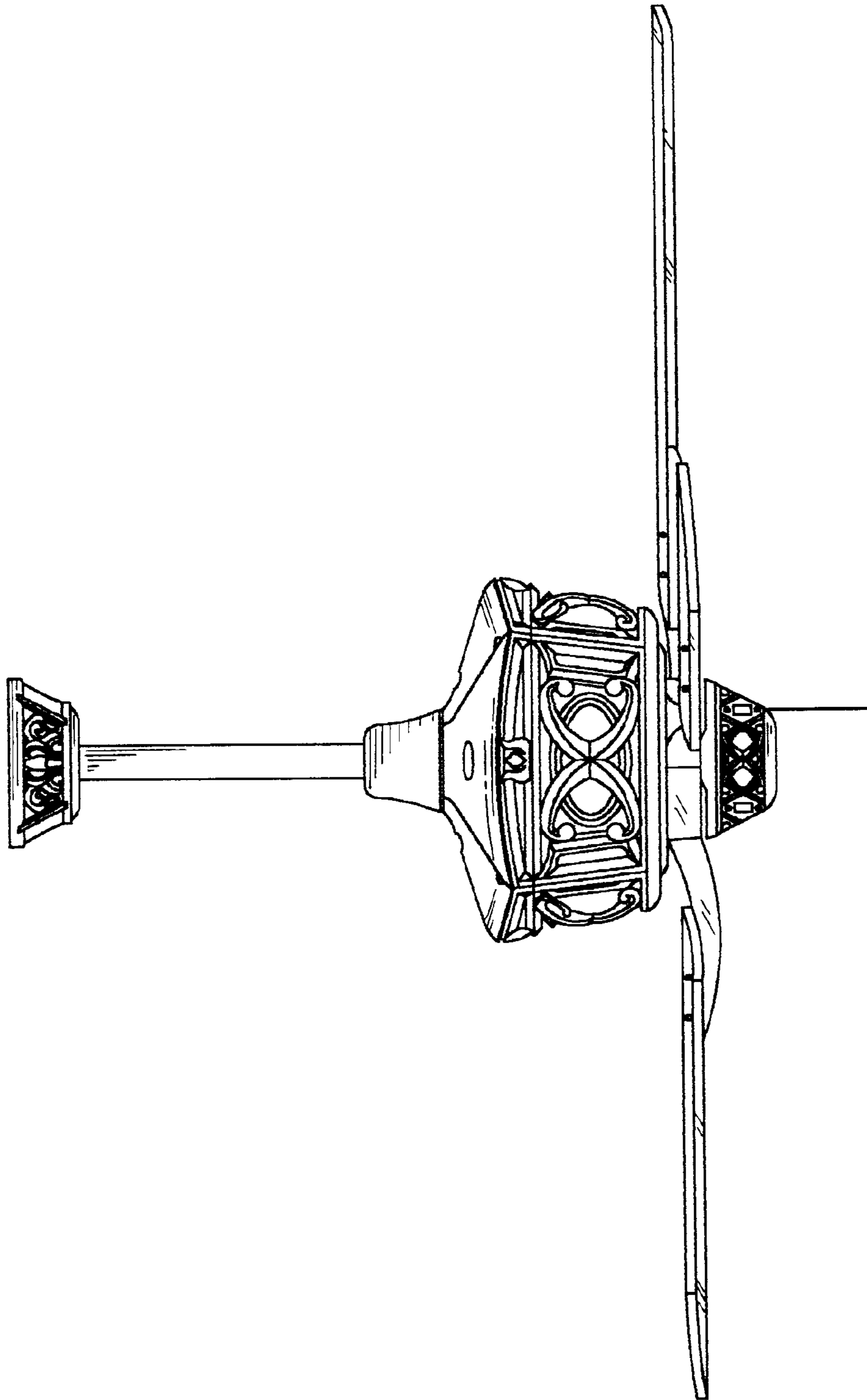


FIG.4

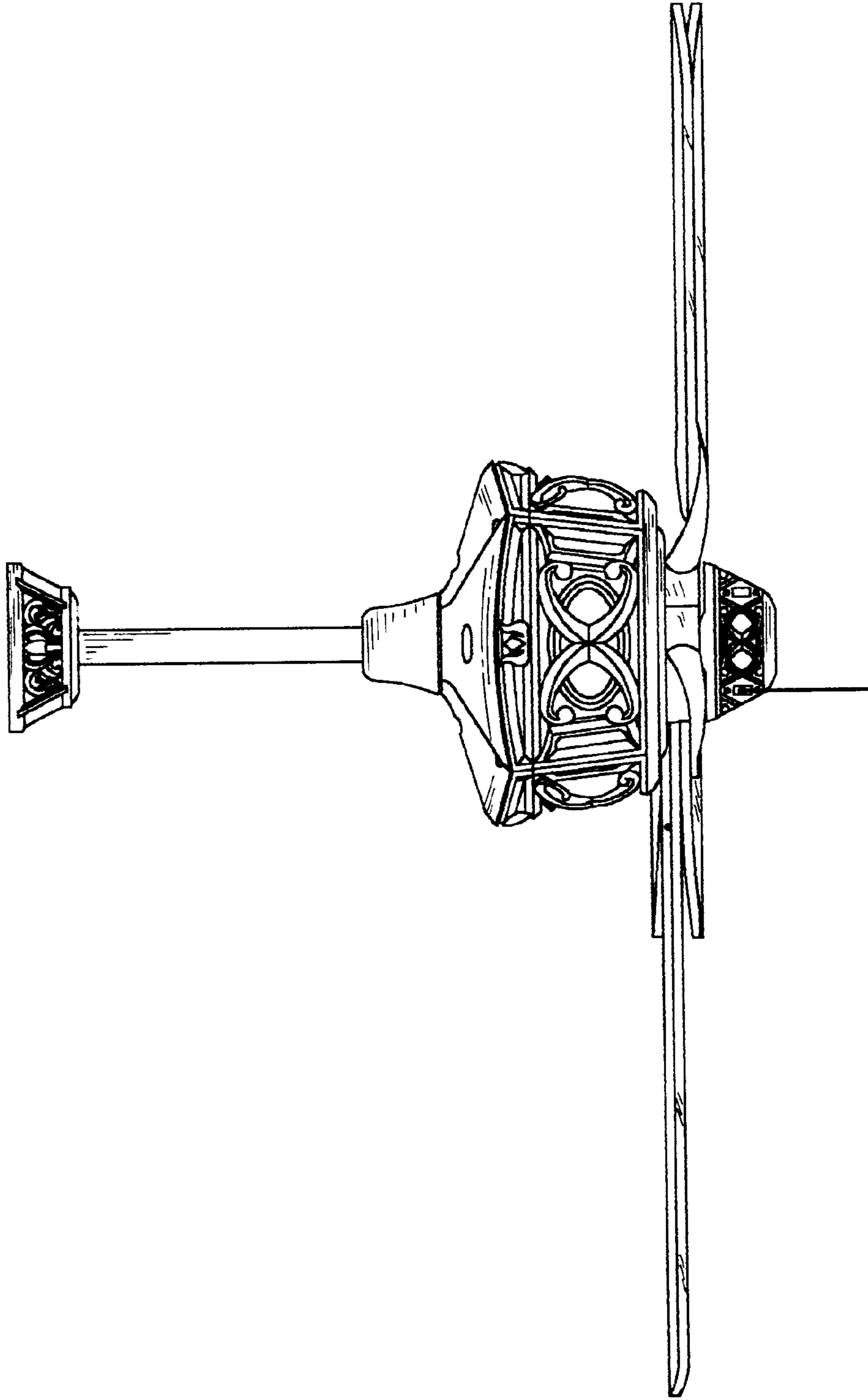


FIG. 5

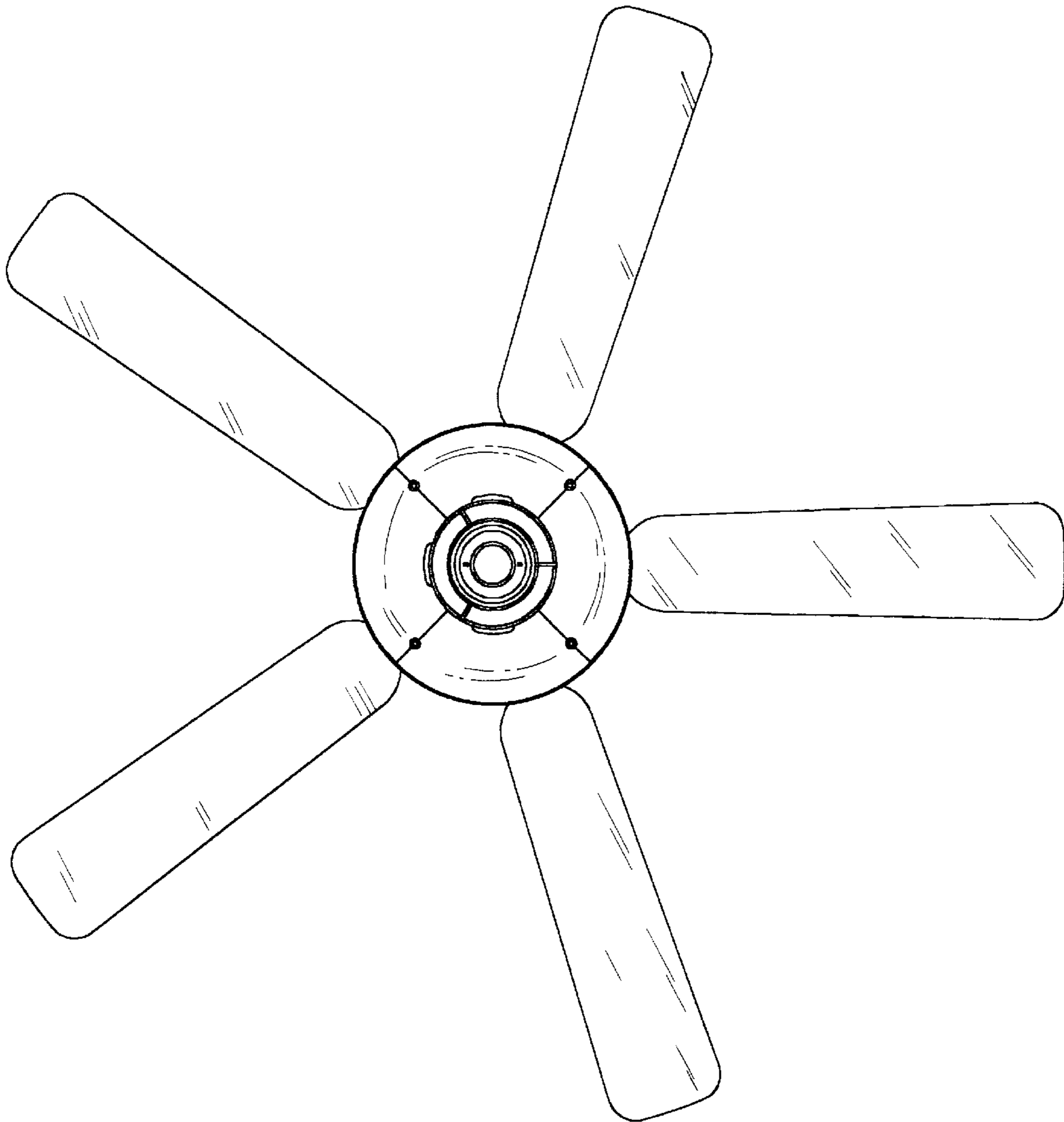


FIG. 6

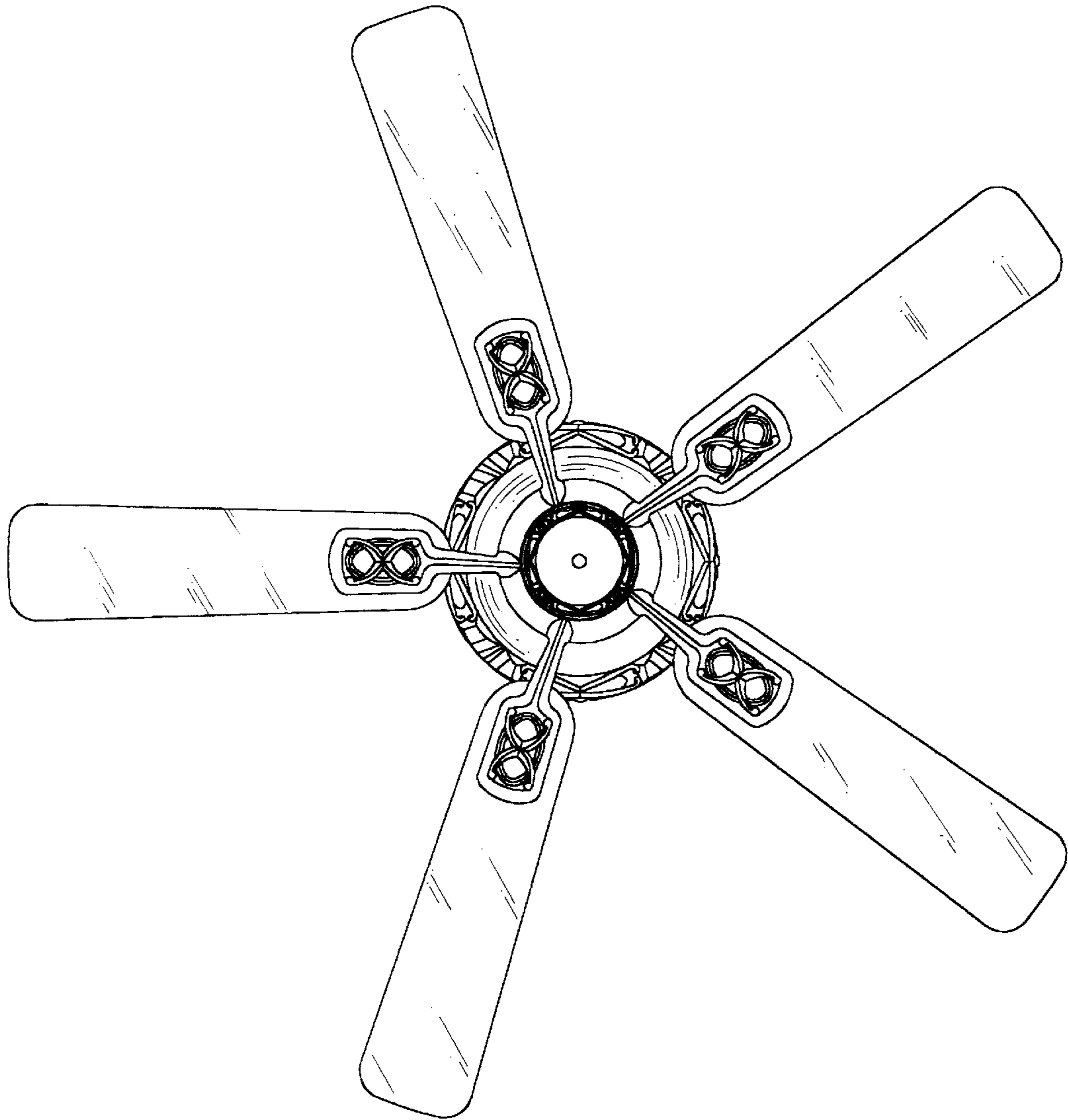


FIG.7