



US00D439319S

(12) **United States Design Patent**  
**Wolpert**

(10) **Patent No.:** **US D439,319 S**

(45) **Date of Patent:** **\*\* Mar. 20, 2001**

(54) **ELECTRIC LIQUID VAPORIZER BOTTLE**

(74) *Attorney, Agent, or Firm*—Snell & Wilmer L.L.P.

(75) **Inventor:** **Christopher J. Wolpert**, Scottsdale, AZ  
(US)

(57) **CLAIM**

The ornamental design for an electric liquid vaporizer bottle,  
as shown.

(73) **Assignee:** **The Dial Corporation**, Scottsdale, AZ  
(US)

**DESCRIPTION**

(\*\*) **Term:** **14 Years**

FIG. 1 is a bottom perspective view of an electric liquid  
vaporizer bottle showing my new design;

(21) **Appl. No.:** **29/106,497**

FIG. 2 is a front view of the electric liquid vaporizer bottle  
of FIG. 1;

(22) **Filed:** **Jun. 16, 1999**

FIG. 3 is a rear view of the electric liquid vaporizer bottle  
of FIG. 1;

(51) **LOC (7) Cl.** ..... **23-04**

(52) **U.S. Cl.** ..... **D23/363**

(58) **Field of Search** ..... D23/366-369;  
D9/516, 530; 422/120, 123, 305; 239/34,  
57, 211, 60, 58, 59, 55; 261/DIG. 65

FIG. 4 is a right side elevational view of the electric liquid  
vaporizer bottle of FIG. 1;

FIG. 5 is a left side elevational view of the electric liquid  
vaporizer bottle of FIG. 1;

(56) **References Cited**

**U.S. PATENT DOCUMENTS**

D. 407,476 \* 3/1999 Goeren et al. .... D23/367

FIG. 6 is a top plan view of the electric liquid vaporizer  
bottle of FIG. 1; and,

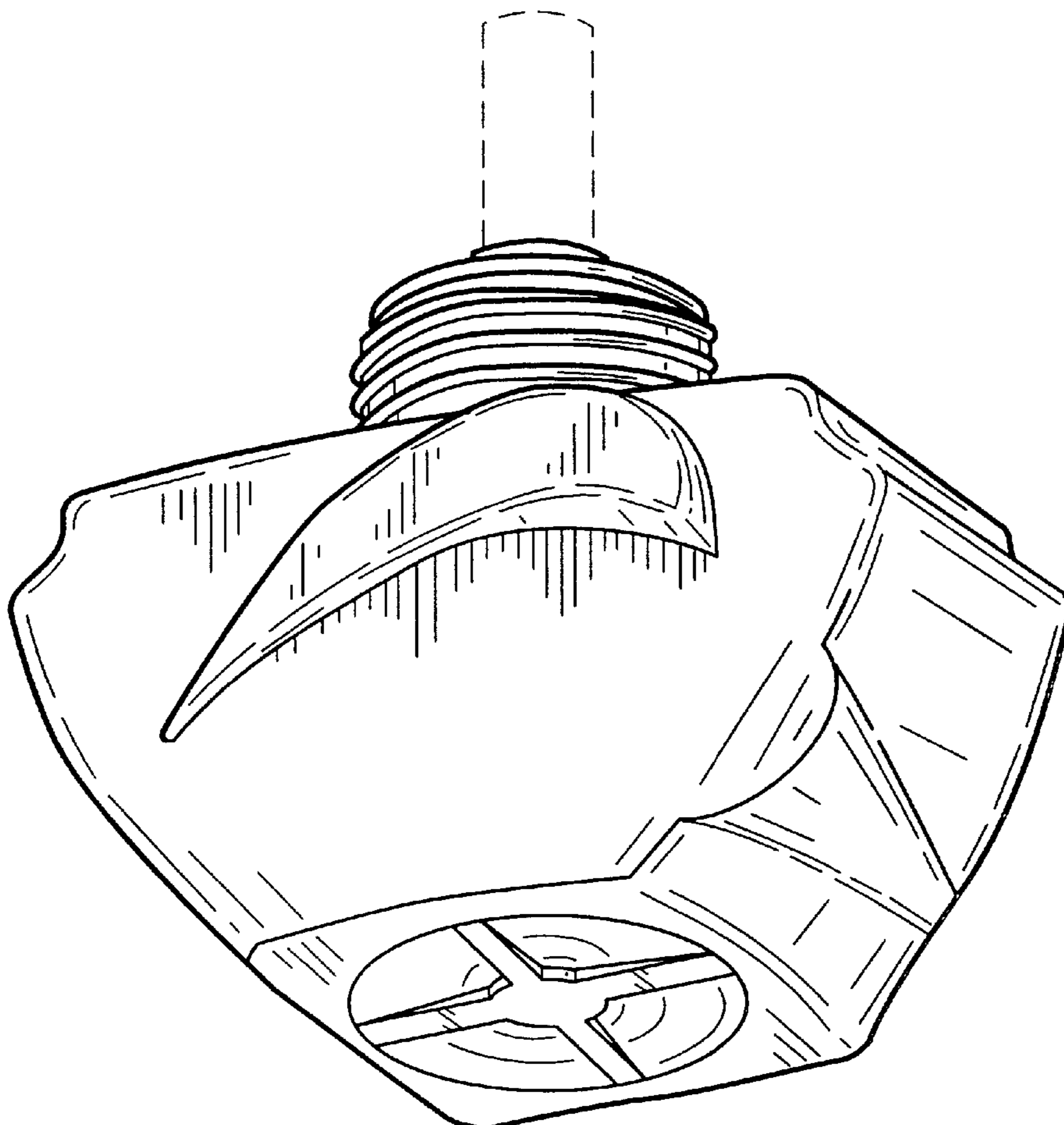
FIG. 7 is a bottom plan view of the electric liquid vaporizer  
bottle of FIG. 1.

\* cited by examiner

The broken line showing of environmental structure in  
FIGS. 1-6 is for illustrative purposes only and forms no part  
of the claimed design.

*Primary Examiner*—Lisa Lichtenstein

**1 Claim, 4 Drawing Sheets**



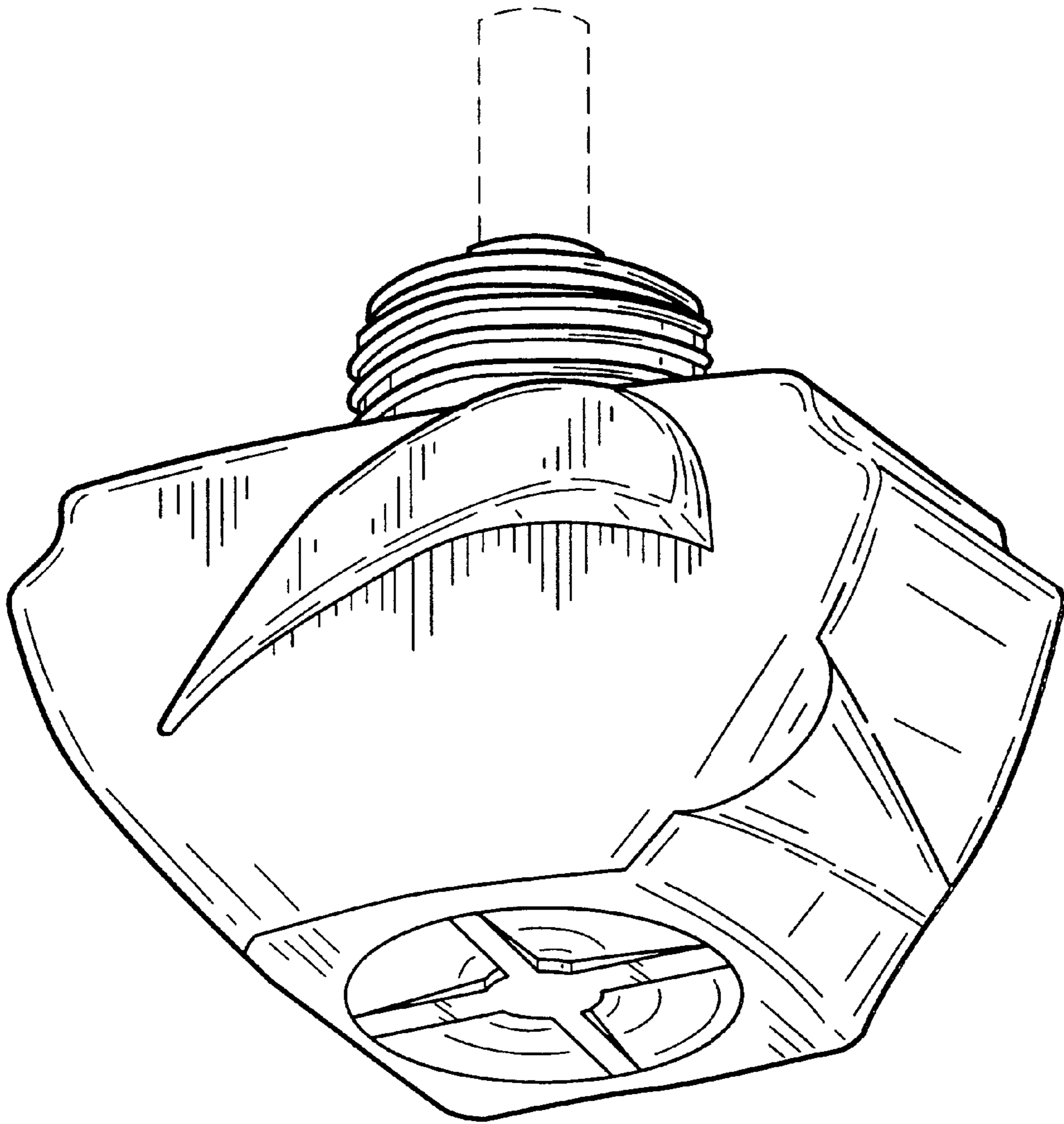


FIG. 1

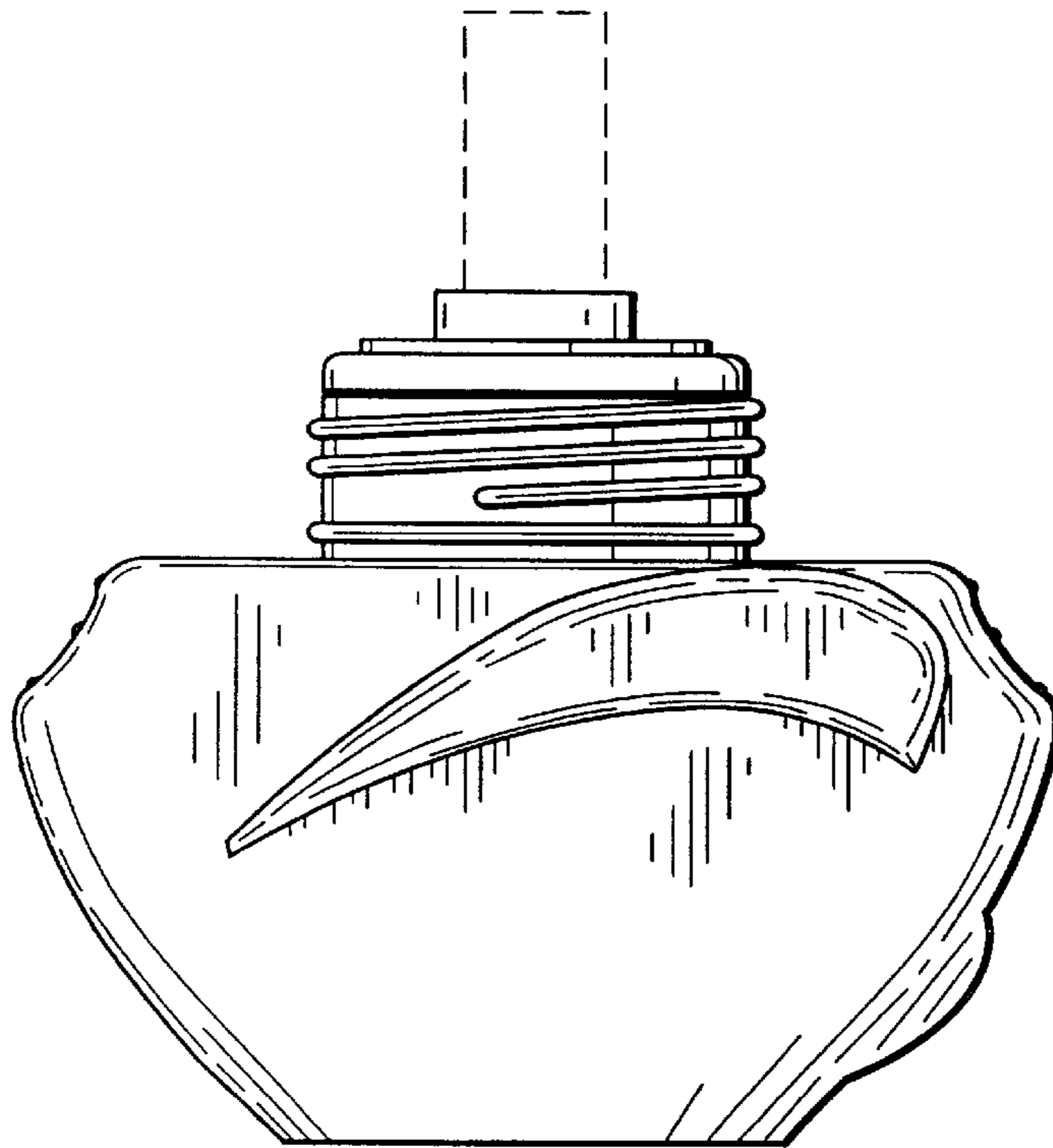


FIG. 2

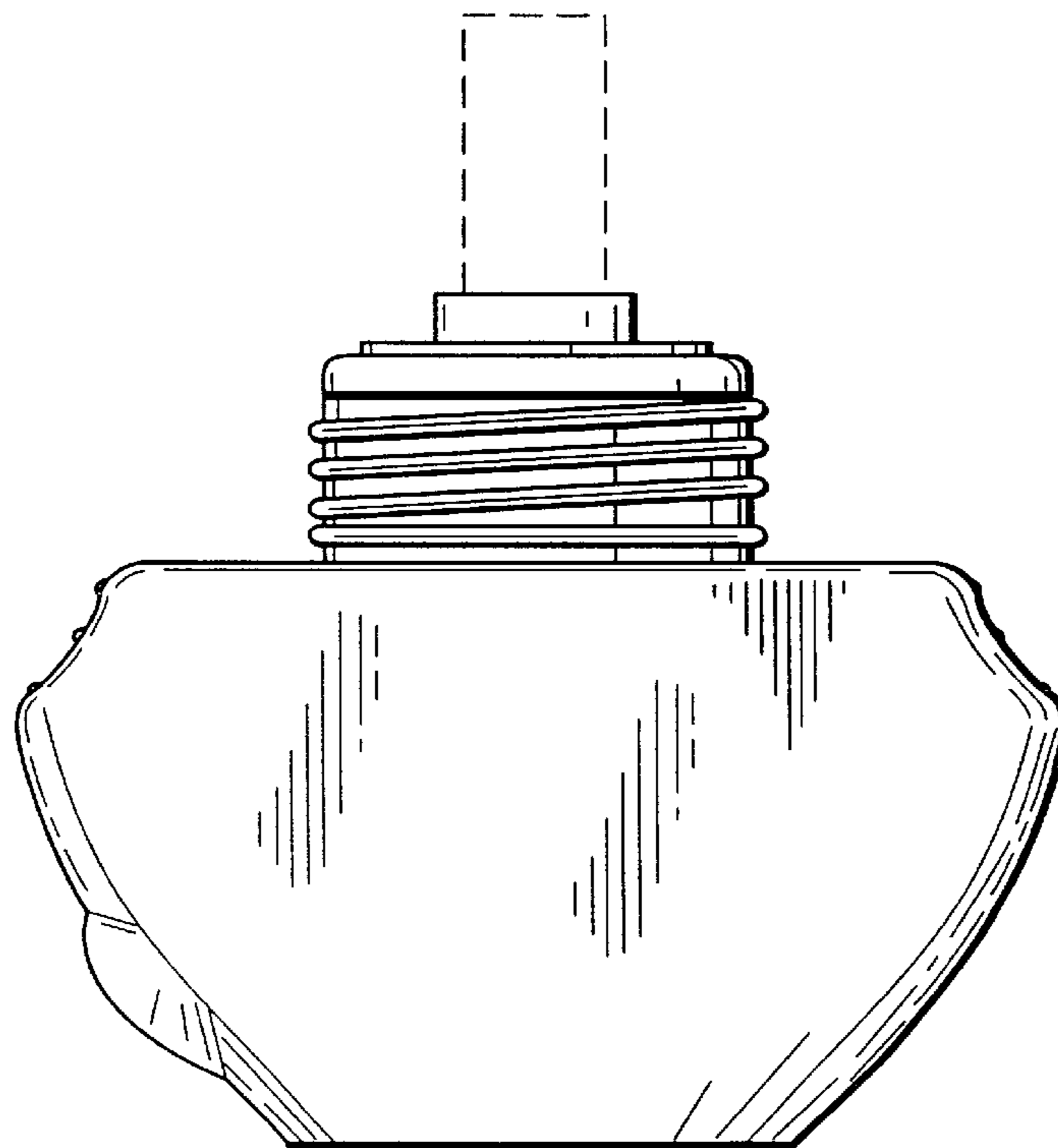


FIG. 3

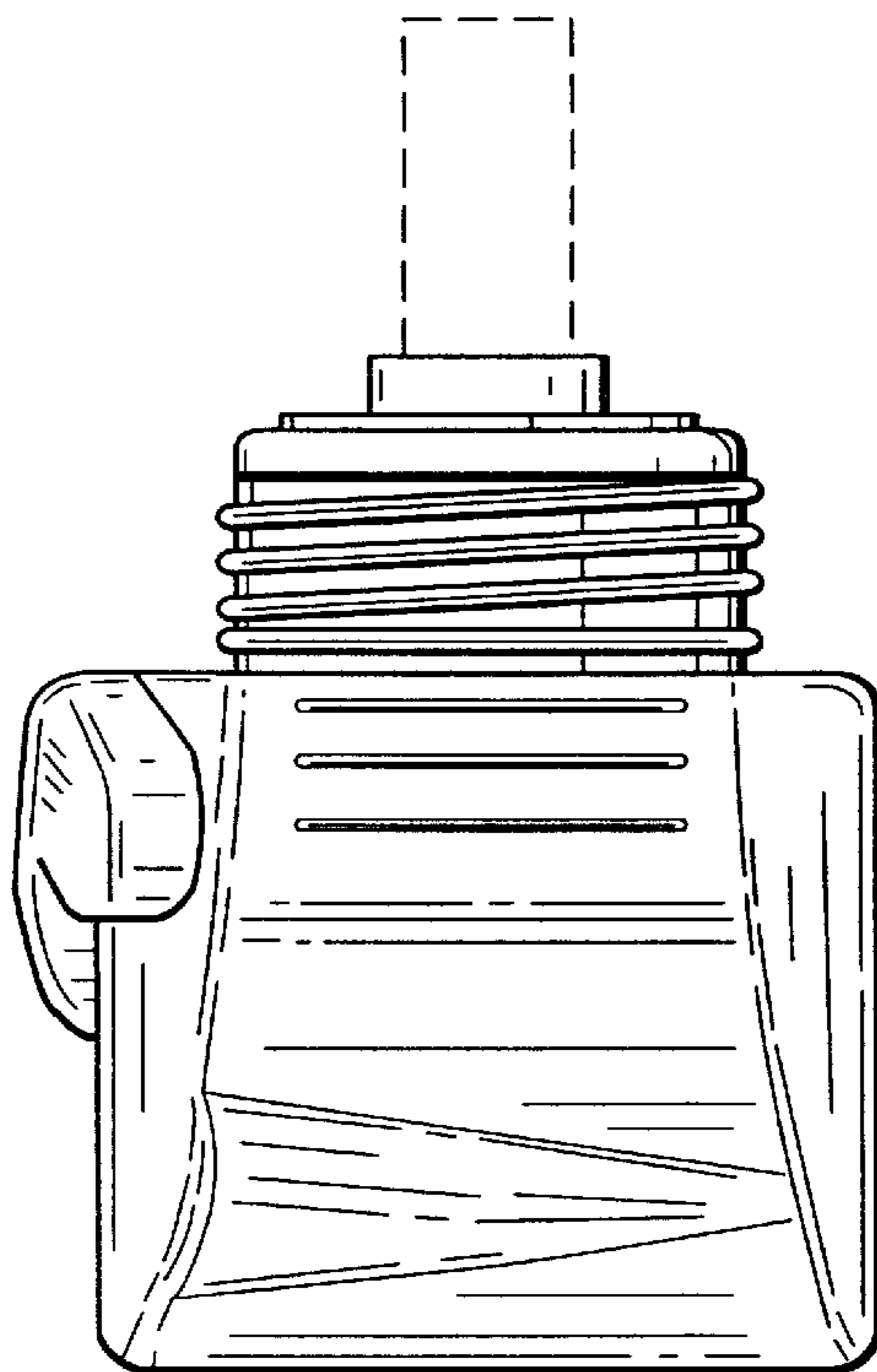


FIG.4

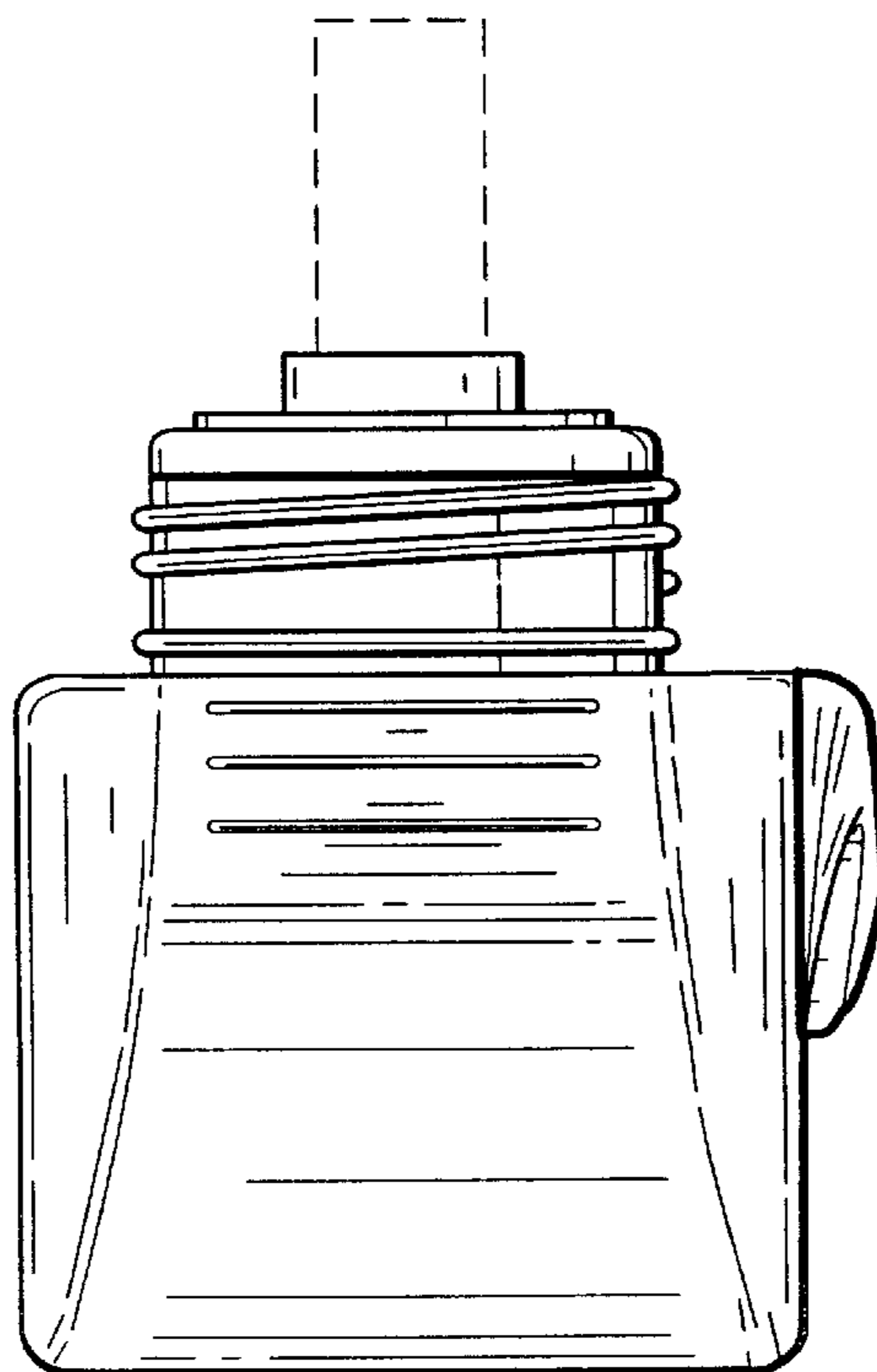


FIG.5

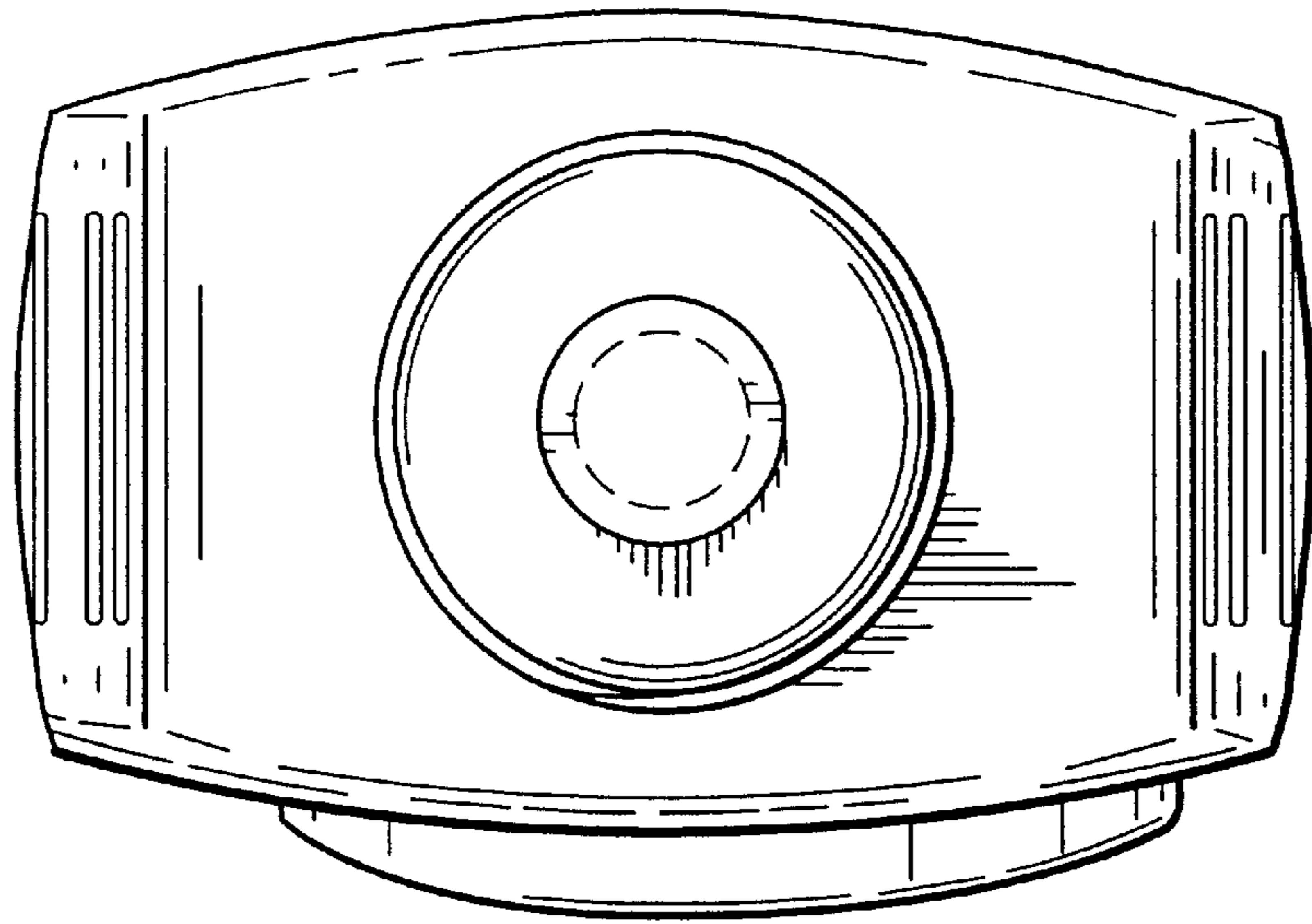


FIG. 6

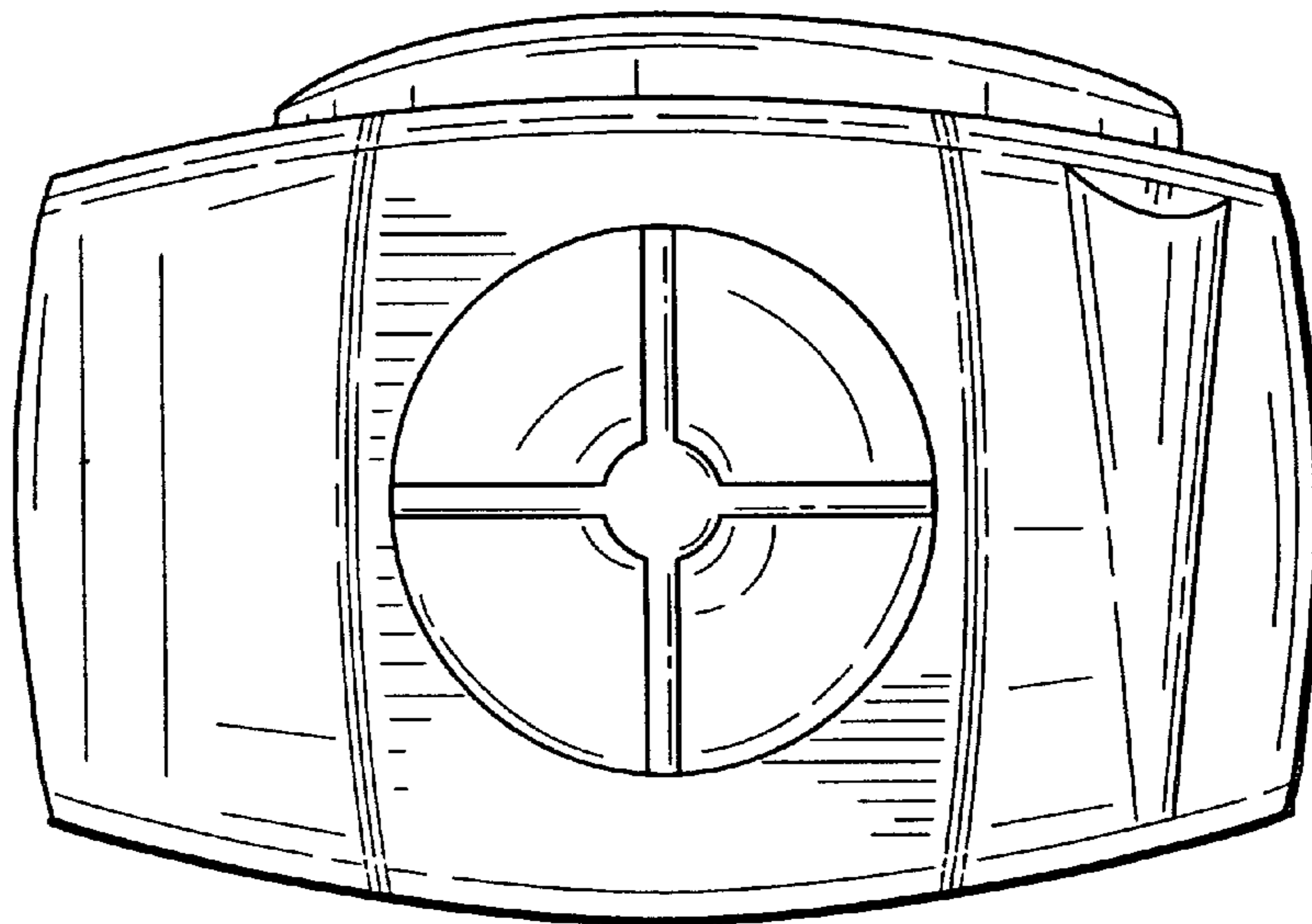


FIG. 7