



US00D439317S

(12) **United States Design Patent**
Kobayashi

(10) **Patent No.:** **US D439,317 S**

(45) **Date of Patent:** **** Mar. 20, 2001**

(54) **AIR CONDITIONER**

OTHER PUBLICATIONS

(75) Inventor: **Hiroshi Kobayashi**, Kawasaki (JP)

General Catalog for Air Conditioner issued by Fujitsu General Limited—Apr. 1999.

(73) Assignee: **Fujitsu General Limited**,
Kanagawa-ken (JP)

* cited by examiner

(**) Term: **14 Years**

Primary Examiner—B. J. Bullock

(21) Appl. No.: **29/119,170**

(74) *Attorney, Agent, or Firm*—Sughrue, Mion, Zinn,
Macpeak & Seas, PLLC

(22) Filed: **Feb. 23, 2000**

(57) **CLAIM**

(30) **Foreign Application Priority Data**

The ornamental design for an air conditioner, as shown and described.

Aug. 24, 1999 (JP) 11-22549

DESCRIPTION

(51) **LOC (7) Cl.** **23-04**

FIG. 1 is a perspective view of the front, bottom and right side of an air conditioner showing my new design;

(52) **U.S. Cl.** **D23/351**

FIG. 2 is a front elevational view thereof;

(58) **Field of Search** D23/351-354;

FIG. 3 is a top plan view thereof;

62/262, 263, 259.1, 259.4, 260, 457.9,
324.1; 312/100, 101, 236

FIG. 4 is a bottom plan view thereof;

(56) **References Cited**

FIG. 5 is a side elevational view of the left side thereof;

U.S. PATENT DOCUMENTS

FIG. 6 is a side elevational view of said right side thereof;

D. 402,020 * 12/1998 Aihara et al. D23/351

and,

D. 417,910 * 12/1999 Nonaka D23/351

FIG. 7 is a view similar to FIG. 1 with the slots in an open condition.

D. 420,116 * 2/2000 Kobayashi D23/351

5,664,428 * 9/1997 Sugiyama et al. 62/262

1 Claim, 5 Drawing Sheets

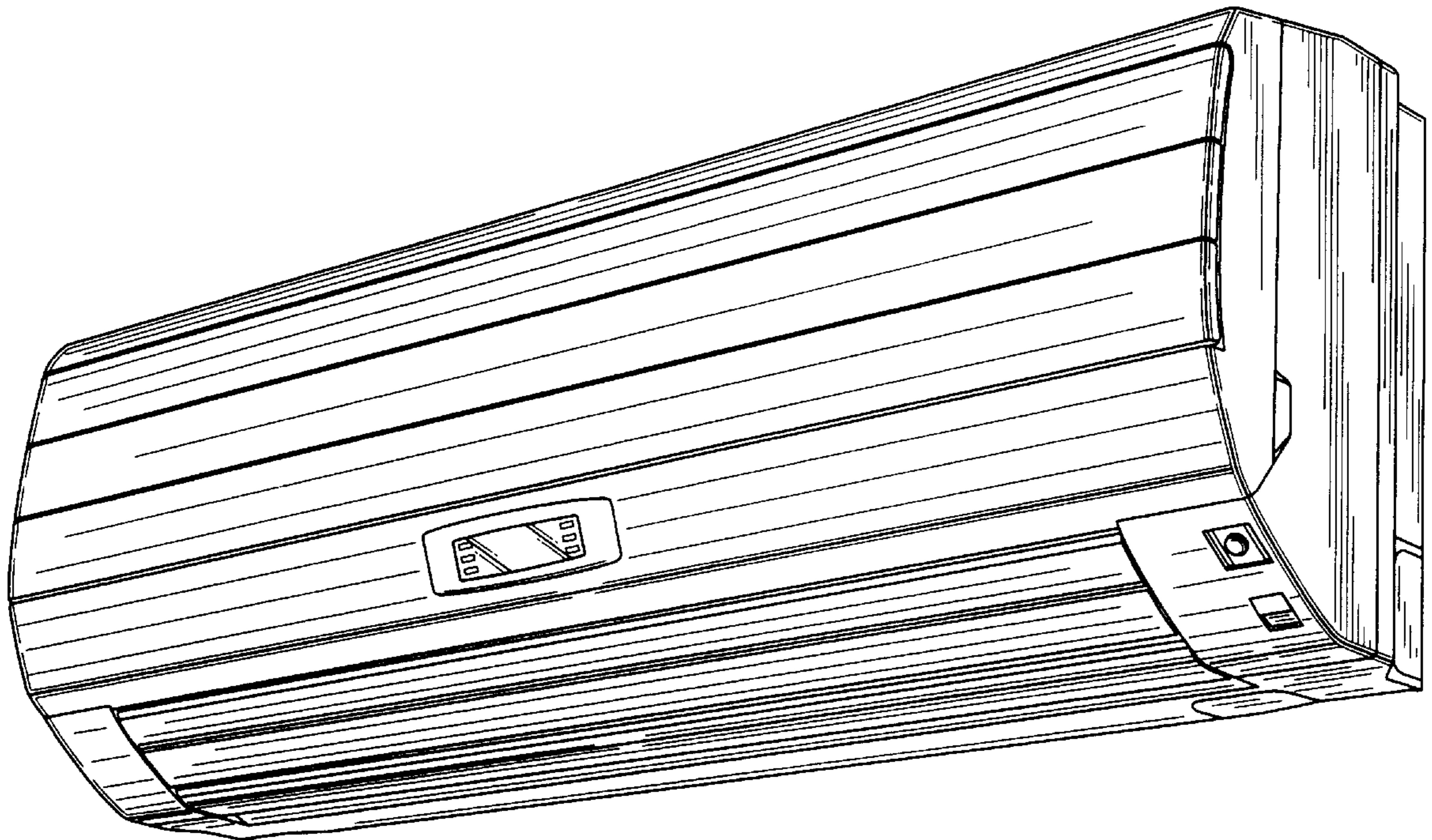


FIG. 1

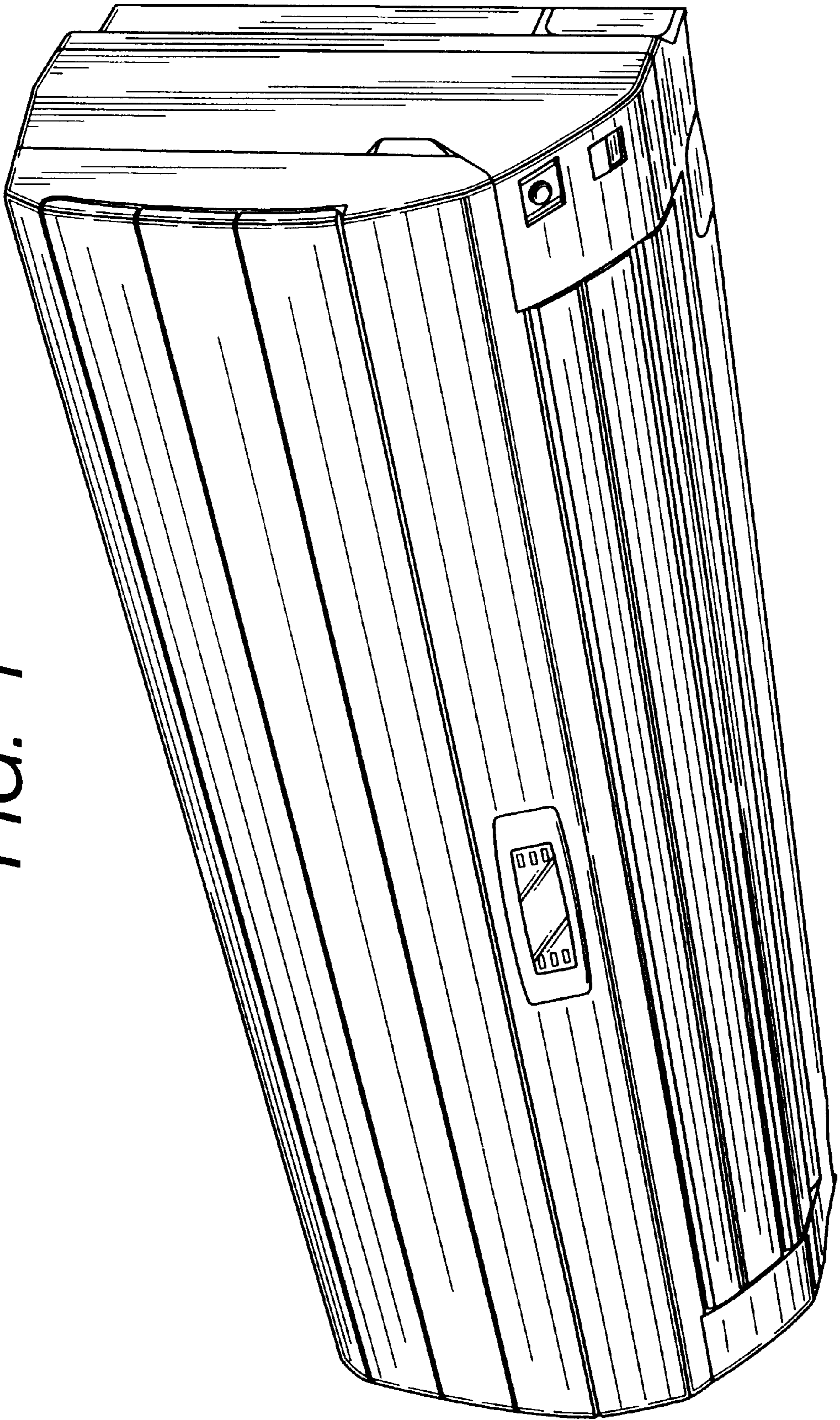


FIG. 2

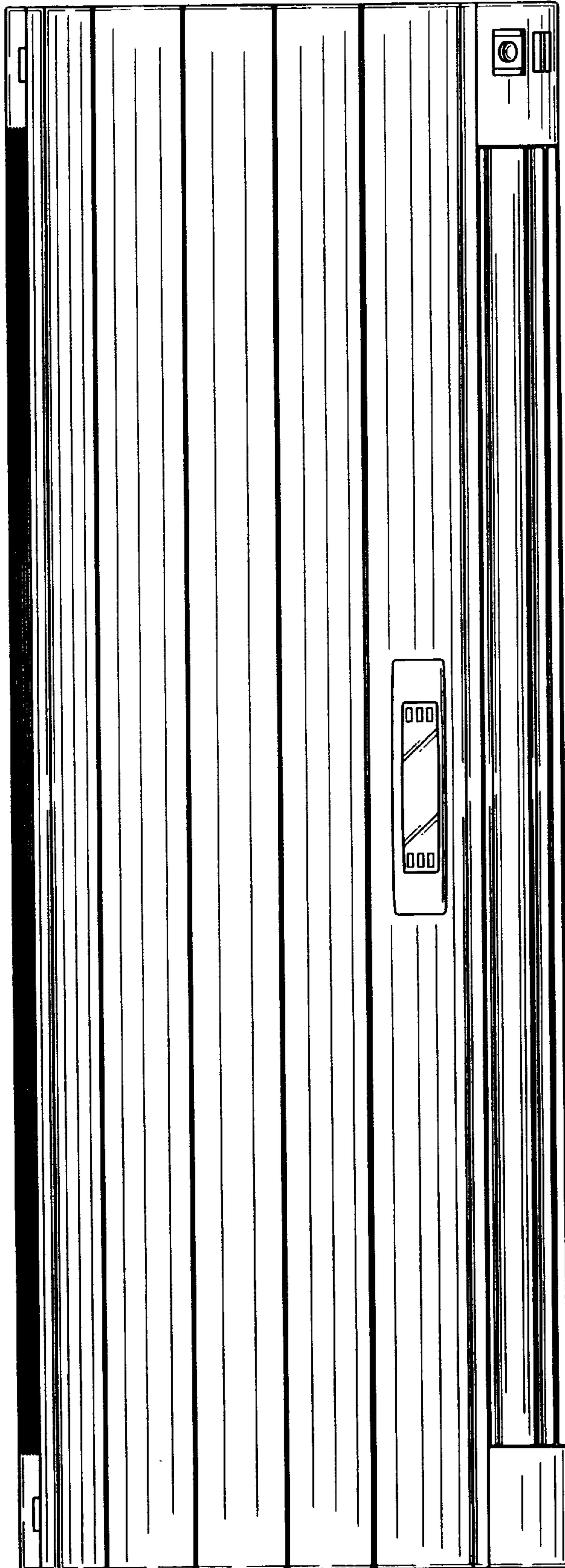


FIG. 3

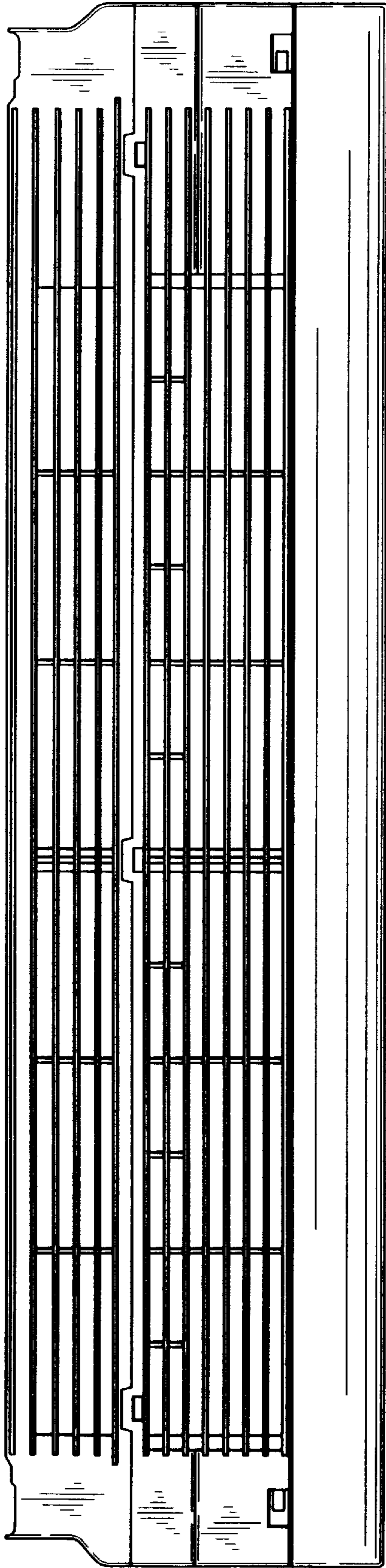


FIG. 4

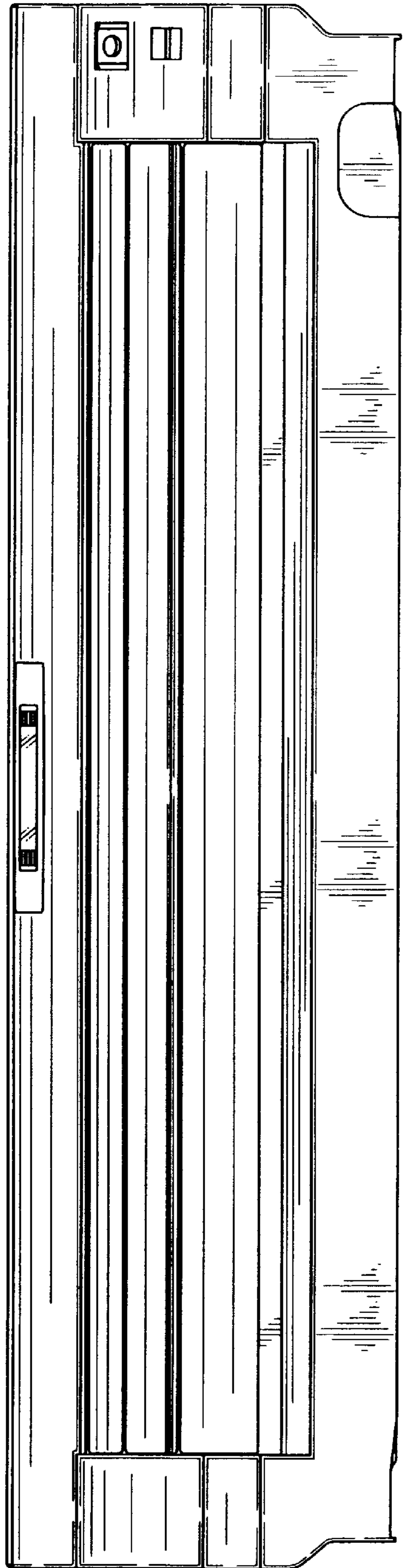


FIG. 6

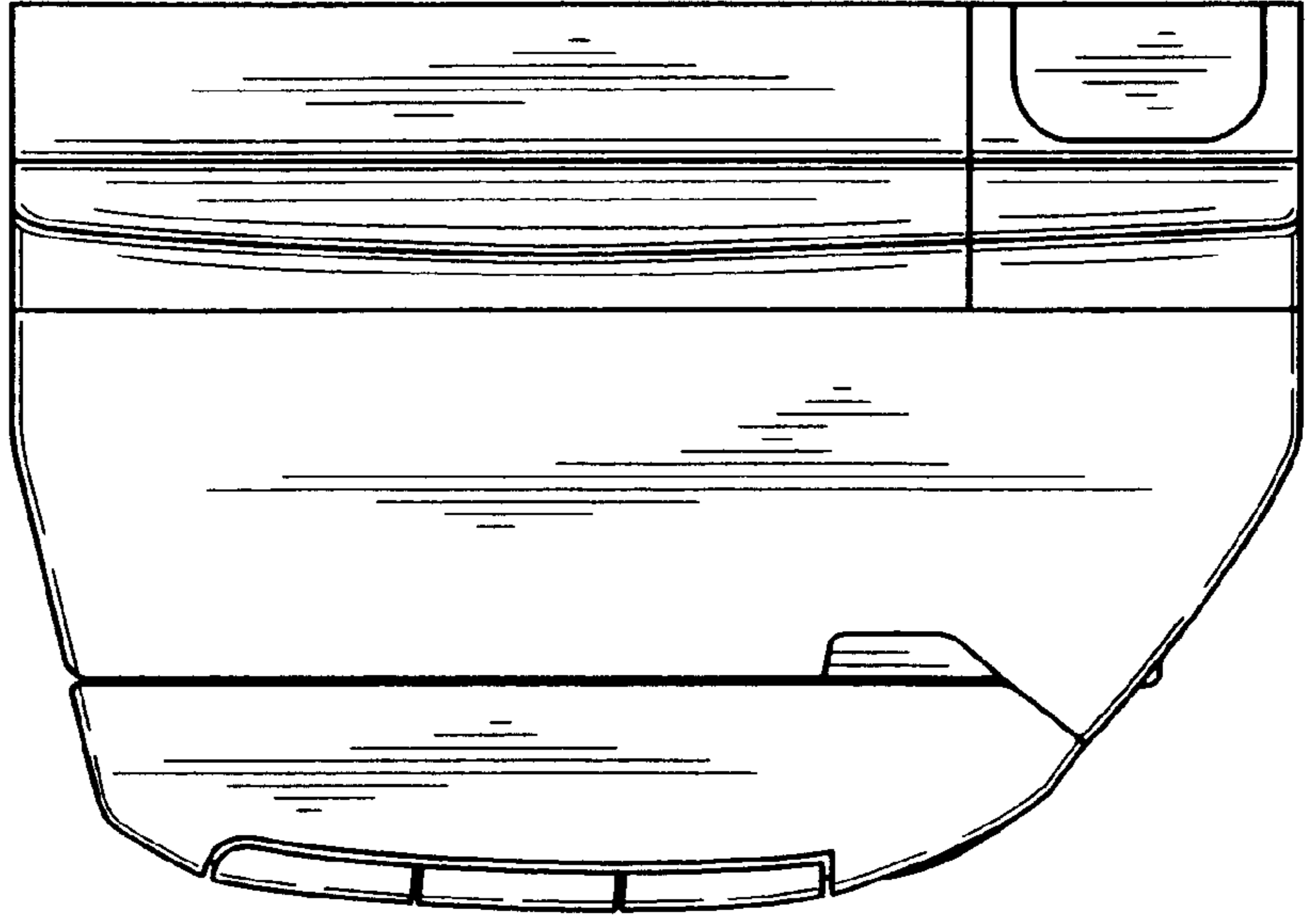


FIG. 5

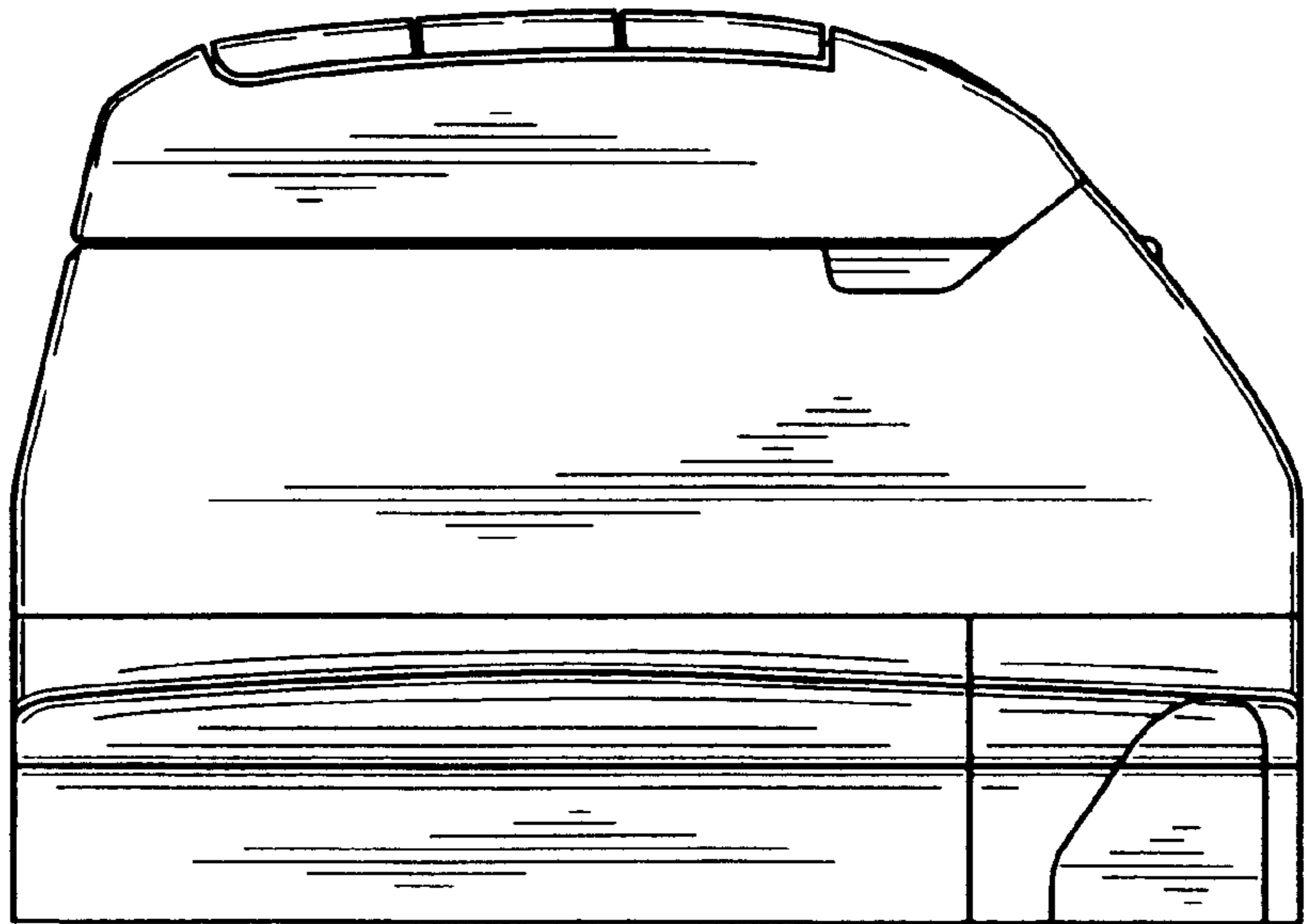


FIG. 7

