



US00D439314S

(12) **United States Design Patent** (10) **Patent No.:** **US D439,314 S**
Kitchen et al. (45) **Date of Patent:** **** Mar. 20, 2001**

(54) **VALVE HANDLE AND BRACKET**

OTHER PUBLICATIONS

(75) Inventors: **Dale J. Kitchen**, South Euclid; **Brian K. Sprafka**, Euclid, both of OH (US)

Attached Exhibit C consisting of 3 pages of drawings of a design for a toggle valve.

(73) Assignee: **Swagelok Marketing Co.**, Cleveland, OH (US)

Swagelok brochure dated Apr. 3, 1997.

(**) Term: **14 Years**

Attached Exhibit A is a drawing of an earlier devise that may be prior art and should initially be treated as such for the purposes of this application.

(21) Appl. No.: **29/086,015**

* cited by examiner

(22) Filed: **Apr. 2, 1998**

Primary Examiner—Louis S. Zarfes

Assistant Examiner—Eric Watterson

Related U.S. Application Data

(63) Continuation-in-part of application No. 29/069,470, filed on Apr. 2, 1997.

(74) *Attorney, Agent, or Firm*—Calfee, Halter & Griswold LLP

(51) **LOC (7) Cl.** **23-01**

(57) **CLAIM**

(52) **U.S. Cl.** **D23/249**

The ornamental design for a valve handle and bracket, as shown and described.

(58) **Field of Search** D23/250–257,
D23/233–237, 244–248; D8/300–308; 137/801,
412, 240; 251/147, 148, 309, 152

DESCRIPTION

(56) **References Cited**

FIG. 1 is a perspective view of the valve handle and bracket of our design, shown in the open position and shown in conjunction with a valve body in broken lines;

U.S. PATENT DOCUMENTS

FIG. 2 is a perspective view of the valve handle and bracket of FIG. 1, shown in the closed position and shown in conjunction with a valve body and padlock in broken lines;

- D. 189,904 * 3/1961 Seltsam D23/238
- D. 205,827 * 9/1966 Plagenberg D23/238
- D. 378,400 * 3/1997 Kowalics D23/238
- D. 407,799 4/1999 Kitchen et al. .
- D. 416,983 11/1999 Kitchen et al. .
- 1,683,649 9/1928 Belote .
- 2,592,816 4/1952 Mapes .
- 2,648,517 8/1953 Berland et al. .
- 2,661,765 12/1953 Troy .
- 4,208,033 6/1980 Kesterman .
- 5,092,359 3/1992 Wirth et al. .
- 5,131,627 7/1992 Kolenc .
- 5,470,044 * 11/1995 Chi 251/98

FIG. 3 is a left side view of the valve handle and bracket of FIG. 2;

FIG. 4 is a front end view of the valve handle and bracket of FIG. 2;

FIG. 5 is a back end view of the valve handle and bracket of FIG. 2;

FIG. 6 is a right side view of the valve handle and bracket of FIG. 2;

FIG. 7 is a top view of the valve handle and bracket of FIG. 2; and,

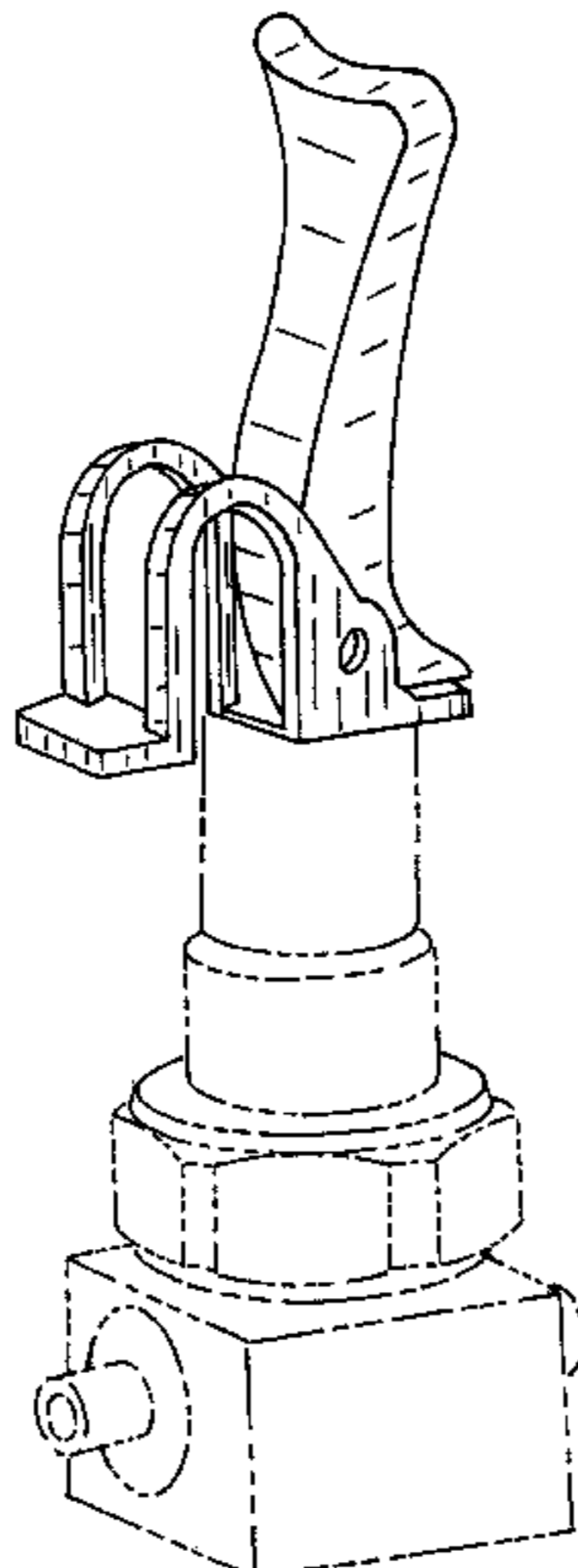
FIG. 8 is a bottom view of the valve handle and bracket of FIG. 2.

FOREIGN PATENT DOCUMENTS

- 88 02 076 2/1988 (DE) .
- 0 347 289 6/1989 (EP) .
- 1.106.309 12/1955 (FR) .

The broken lines are for illustration only and form no part of the claimed design.

1 Claim, 6 Drawing Sheets



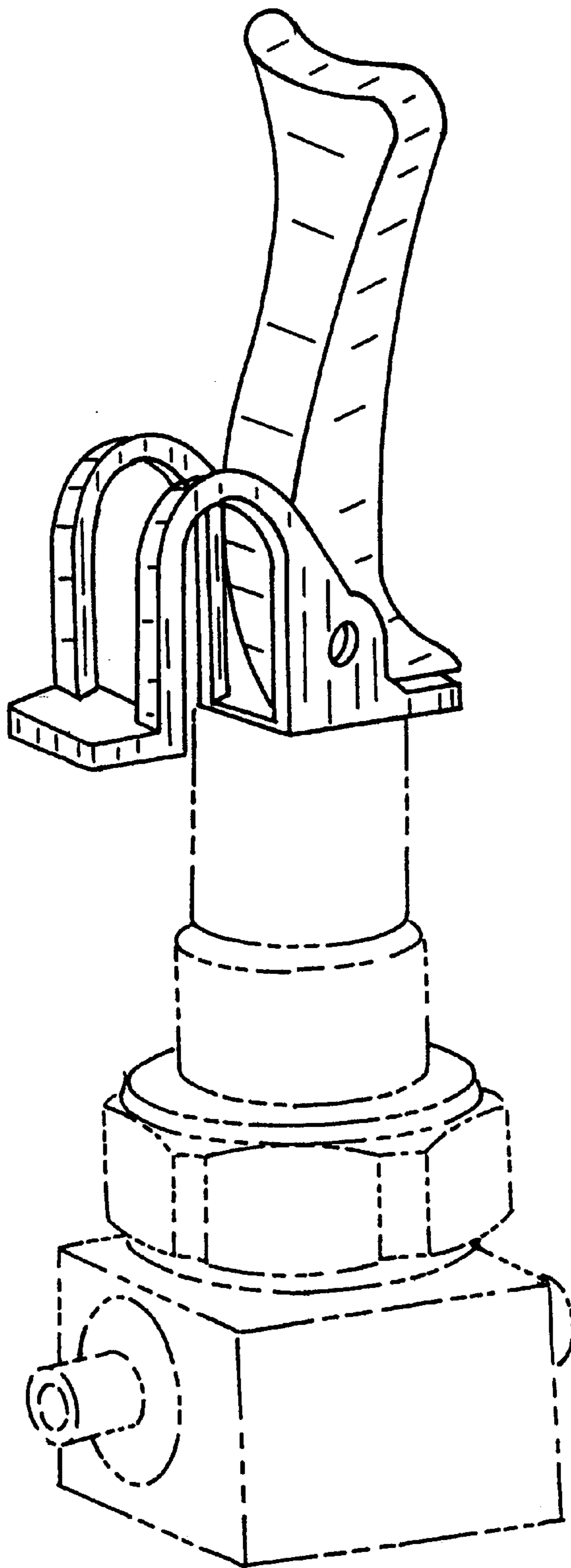


FIG. 1

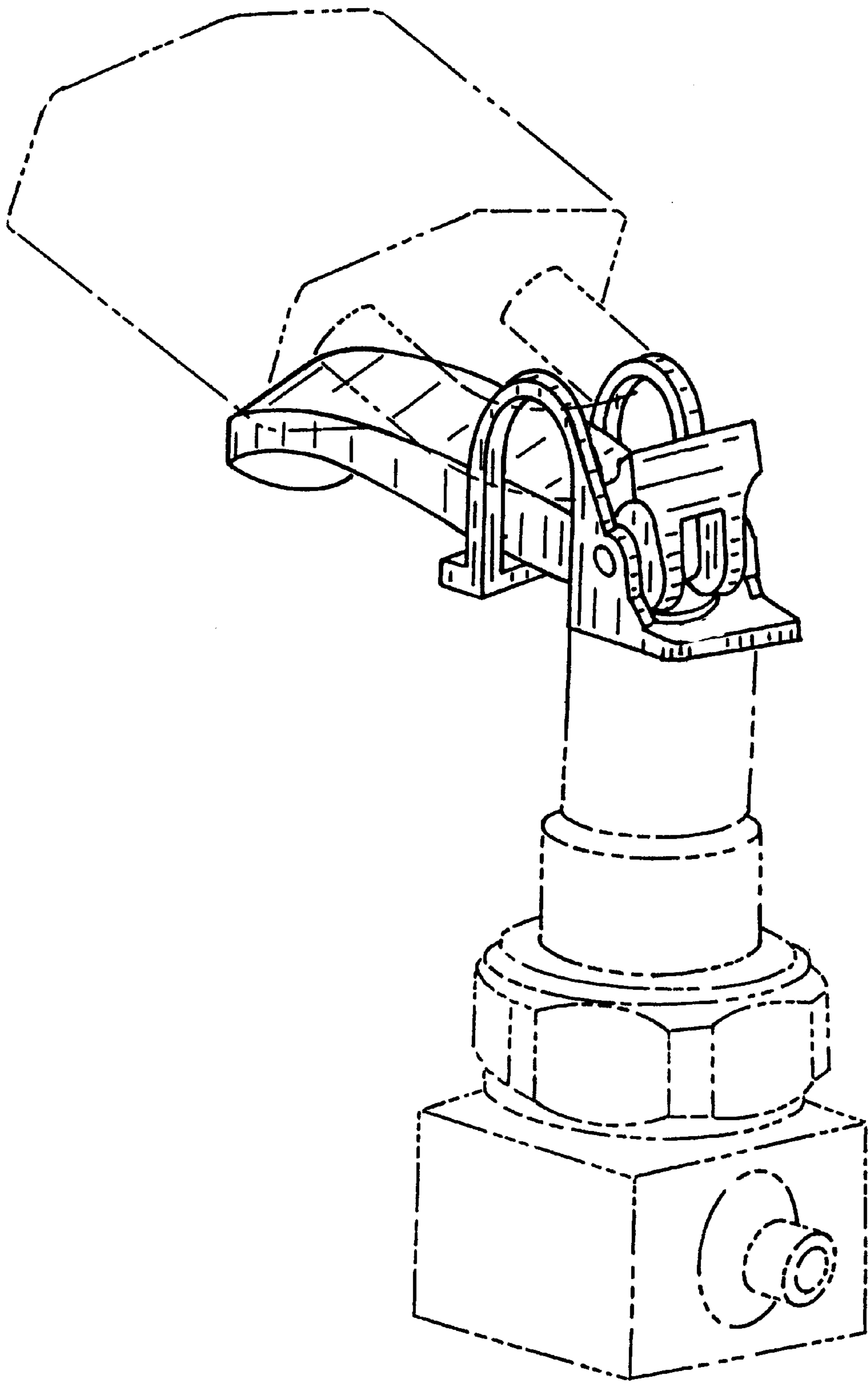


FIG. 2

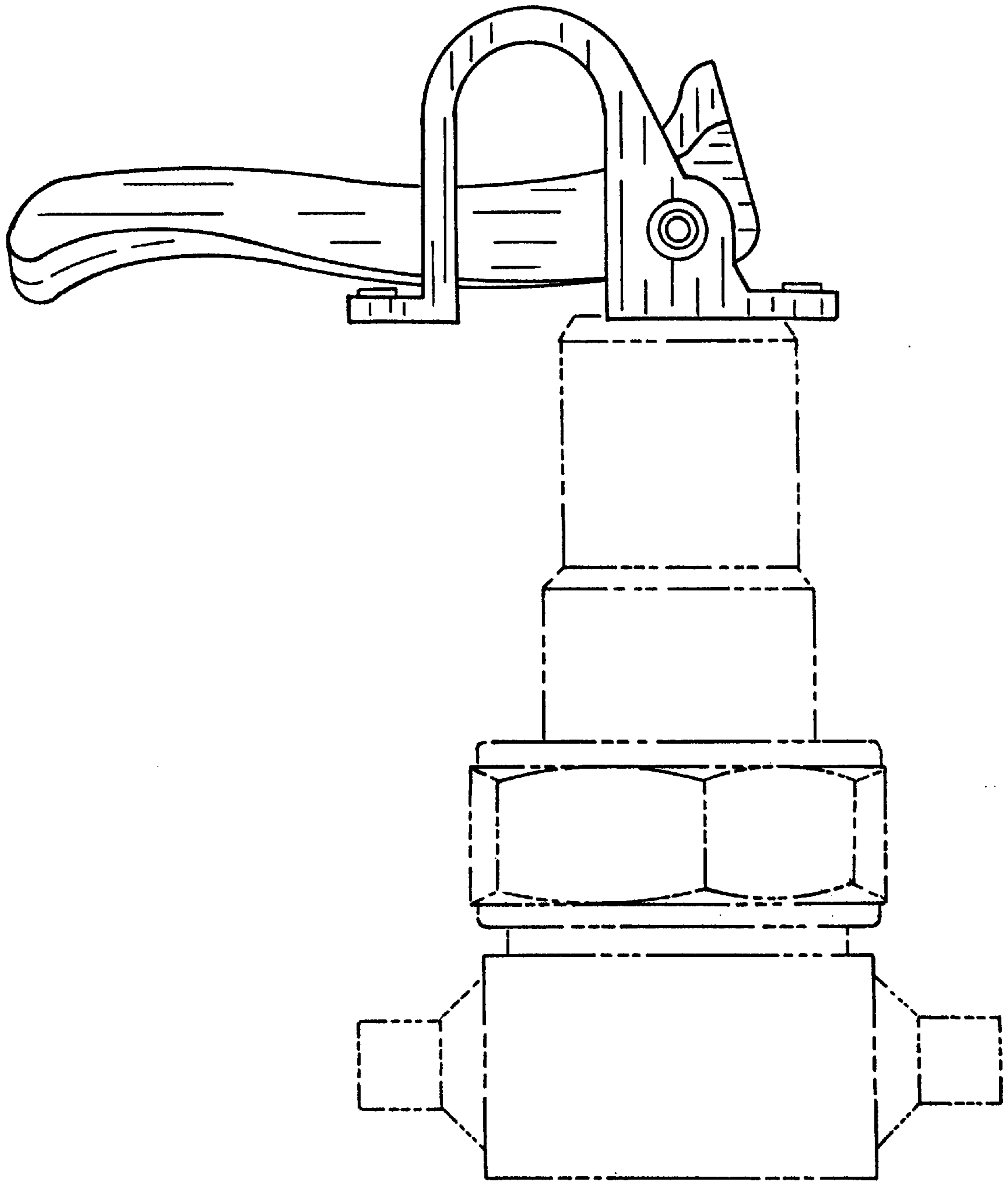


FIG. 3

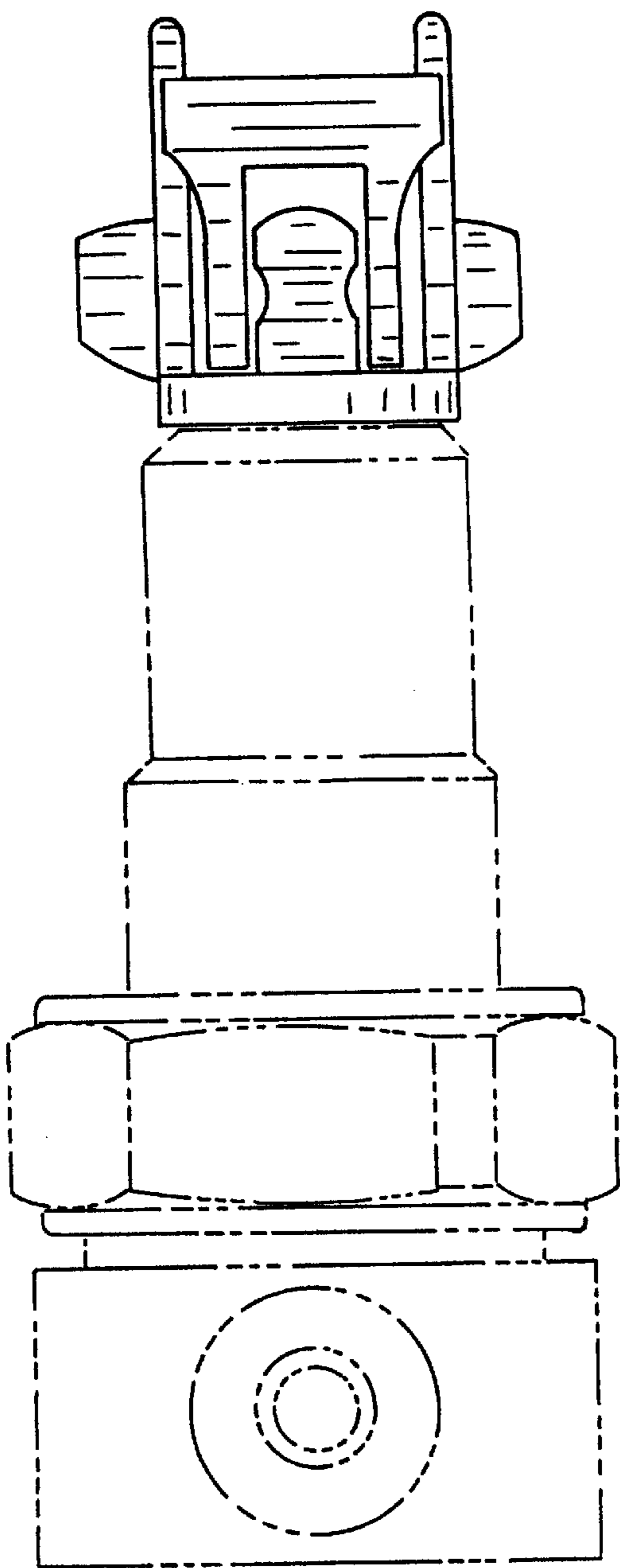


FIG. 4

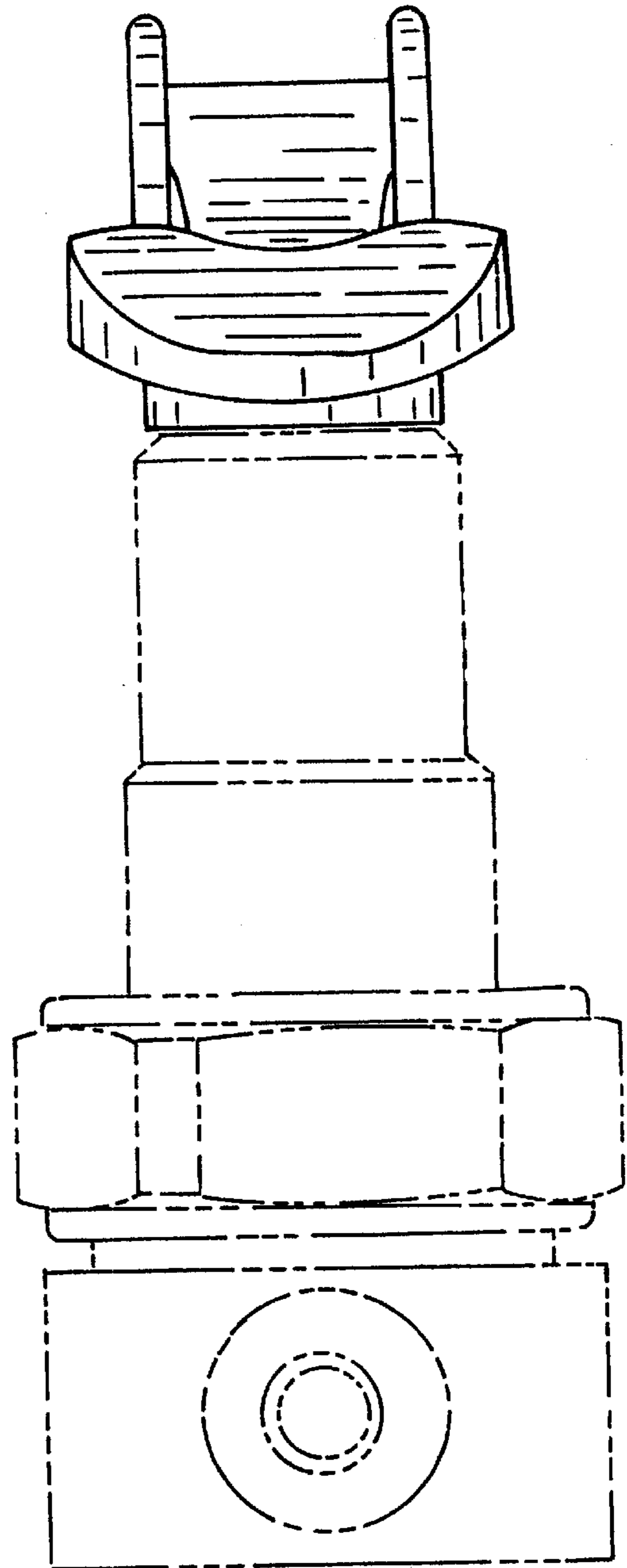


FIG. 5

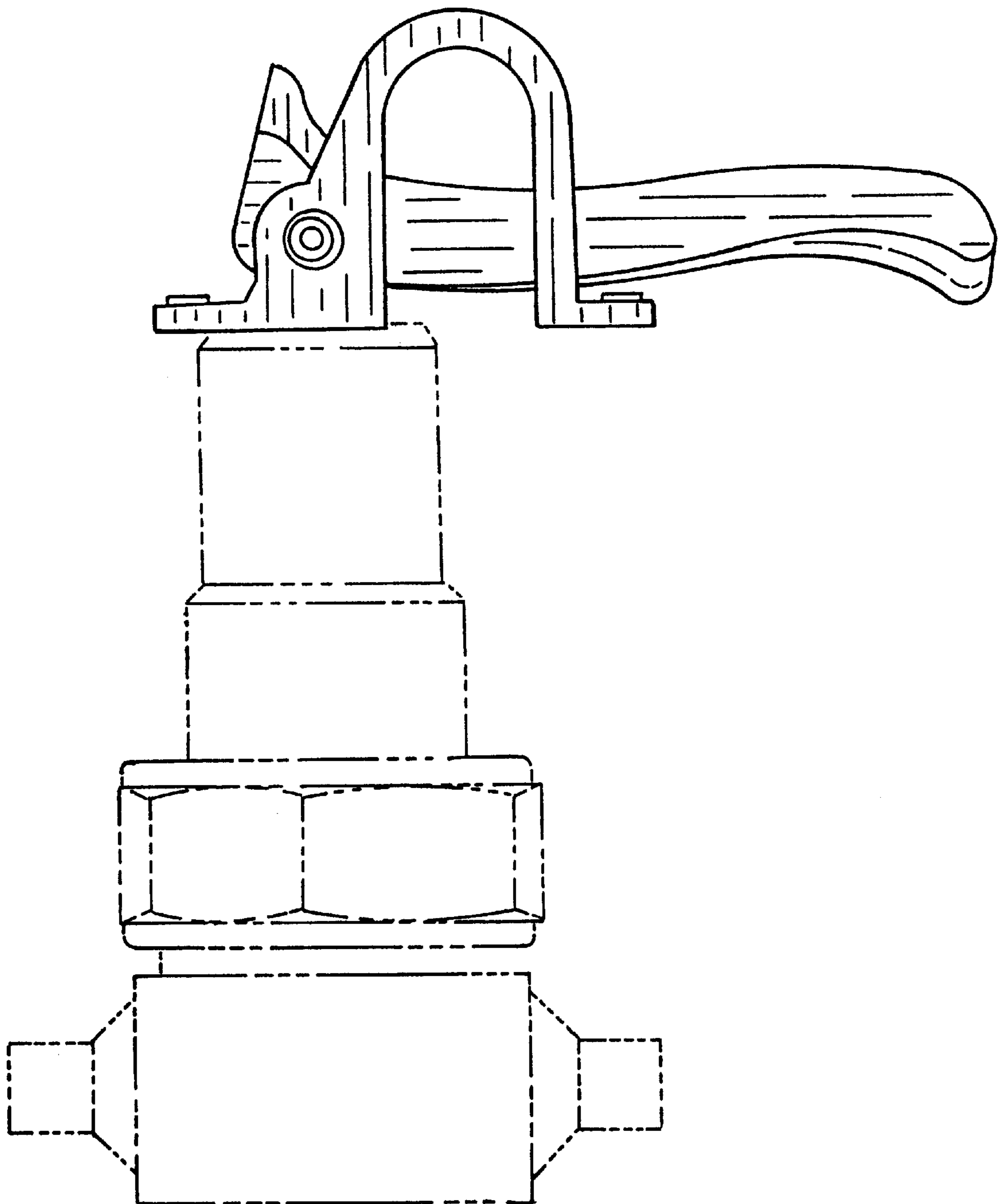


FIG. 6

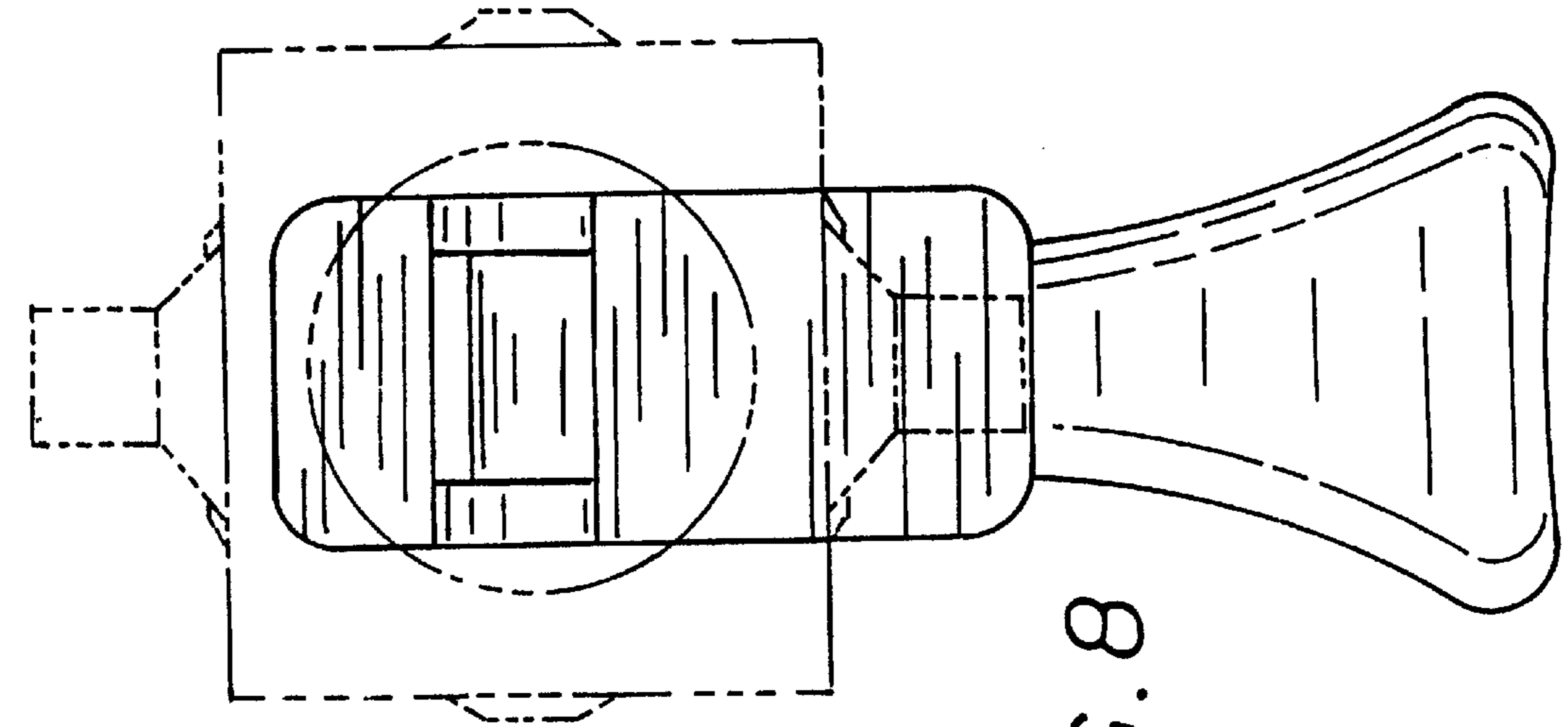


FIG. 8

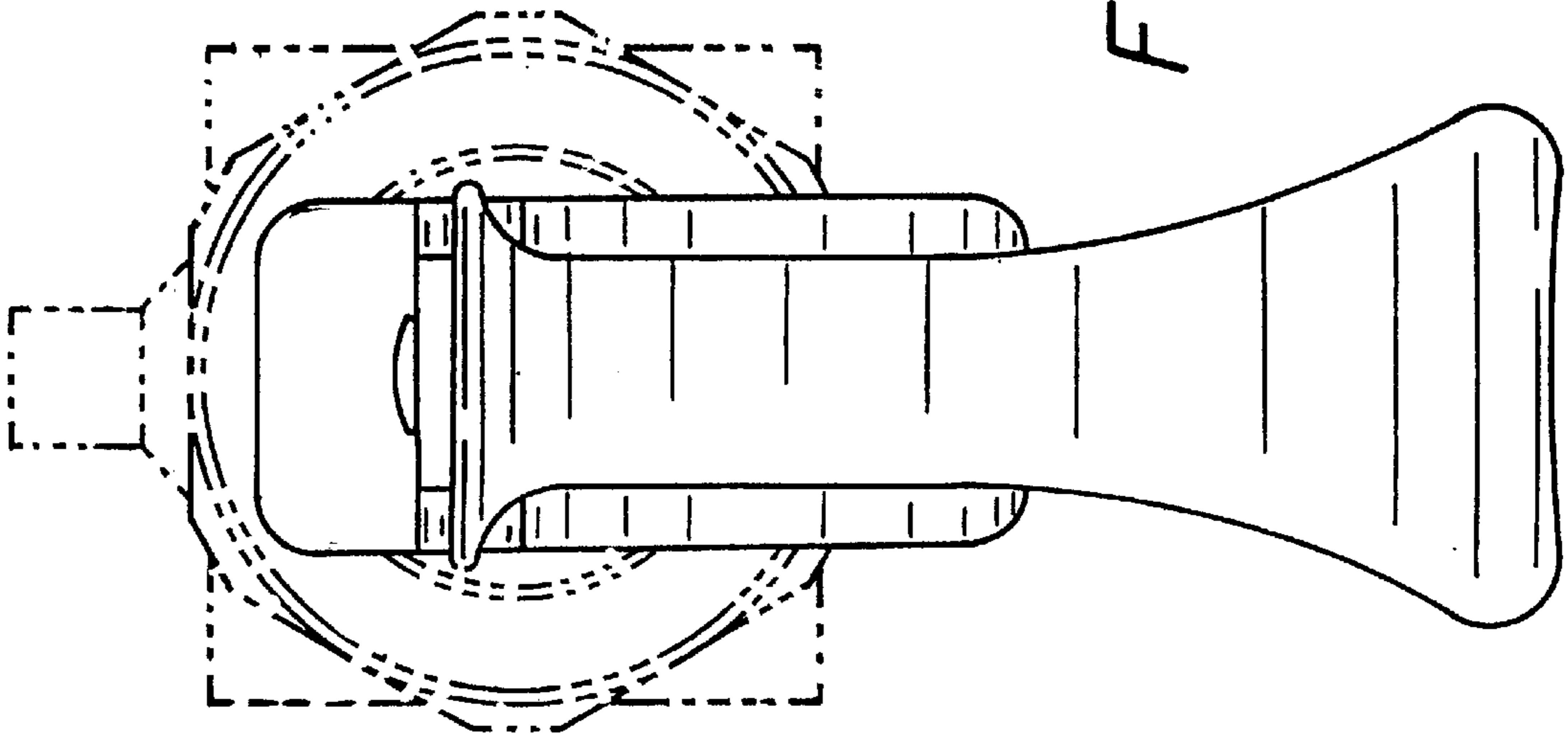


FIG. 7