



US00D439313S

(12) **United States Design Patent**
Wey et al.

(10) **Patent No.:** **US D439,313 S**

(45) **Date of Patent:** **** Mar. 20, 2001**

(54) **FLOAT VALVE FOR A TOILET CISTERN**

4,882,793 * 11/1989 Thompson 4/324

5,081,720 * 1/1992 Ames et al. 4/324

(75) Inventors: **Paul Wey**, Eschenbach; **Eckart Ohmann**, Hombrechtikon, both of (CH)

5,896,593 * 4/1999 Mizrahi 4/324

5,926,861 * 7/1999 Frost 4/324

(73) Assignee: **Geberit Technik AG**, Jona (CH)

* cited by examiner

(**) Term: **14 Years**

Primary Examiner—Robin V. Taylor

(21) Appl. No.: **29/120,527**

(57) **CLAIM**

(22) Filed: **Mar. 17, 2000**

The ornamental design for a float valve for a toilet cistern, as shown and described.

(30) **Foreign Application Priority Data**

DESCRIPTION

Sep. 23, 1999 (XH) DMA/004 658

FIG. 1 is a front view of our new and ornamental design for a float valve for a toilet cistern;

(51) **LOC (7) Cl.** **23-01**

FIG. 2 is a rear view thereof;

(52) **U.S. Cl.** **D23/236**

FIG. 3 is a left side view thereof;

(58) **Field of Search** D23/233-237;
4/324-325

FIG. 4 is a right side view thereof;

FIG. 5 is a top view thereof;

FIG. 6 is a bottom view thereof; and,

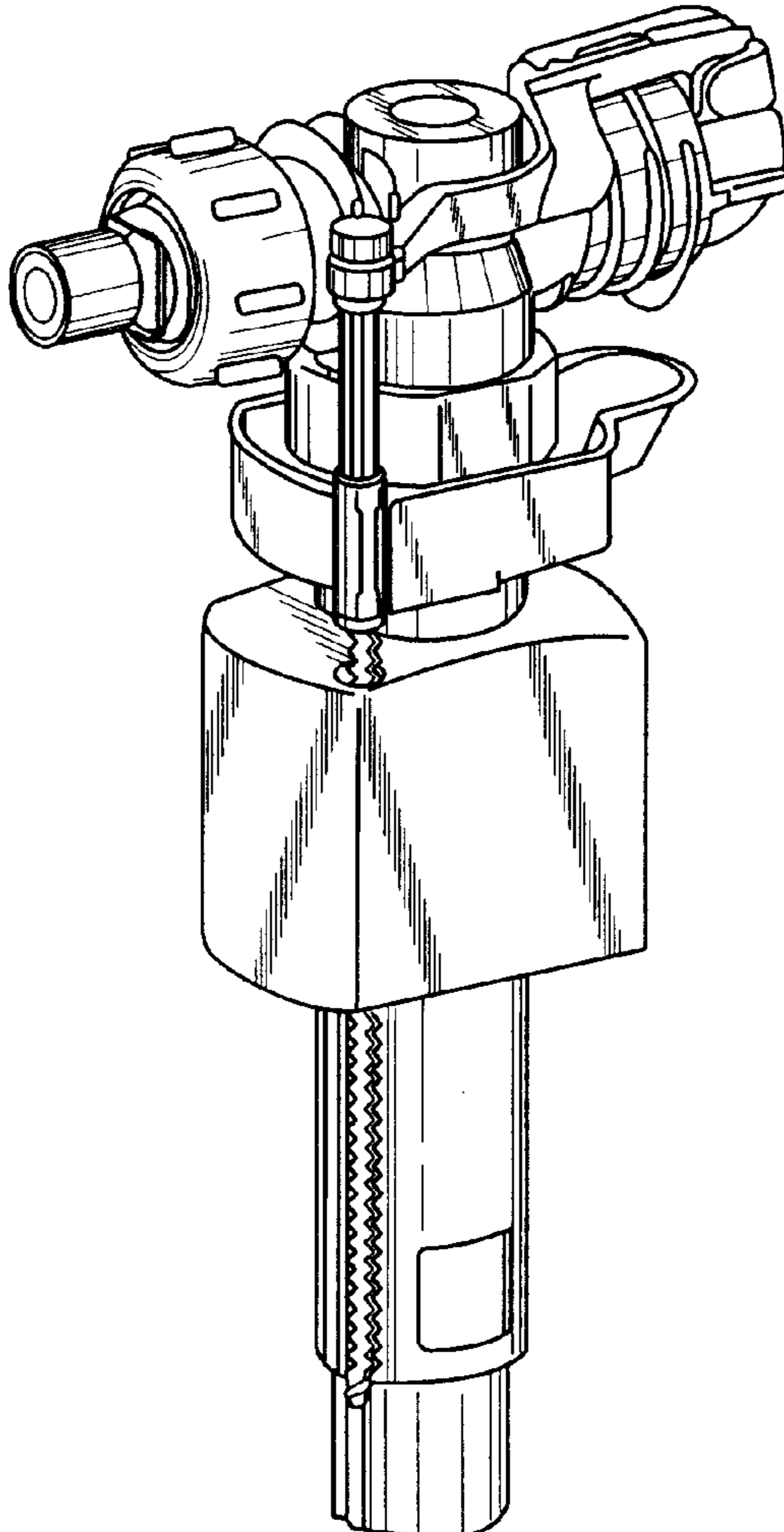
FIG. 7 is a front right perspective view thereof.

(56) **References Cited**

U.S. PATENT DOCUMENTS

D. 214,050 * 5/1969 Hudson D23/236

1 Claim, 3 Drawing Sheets



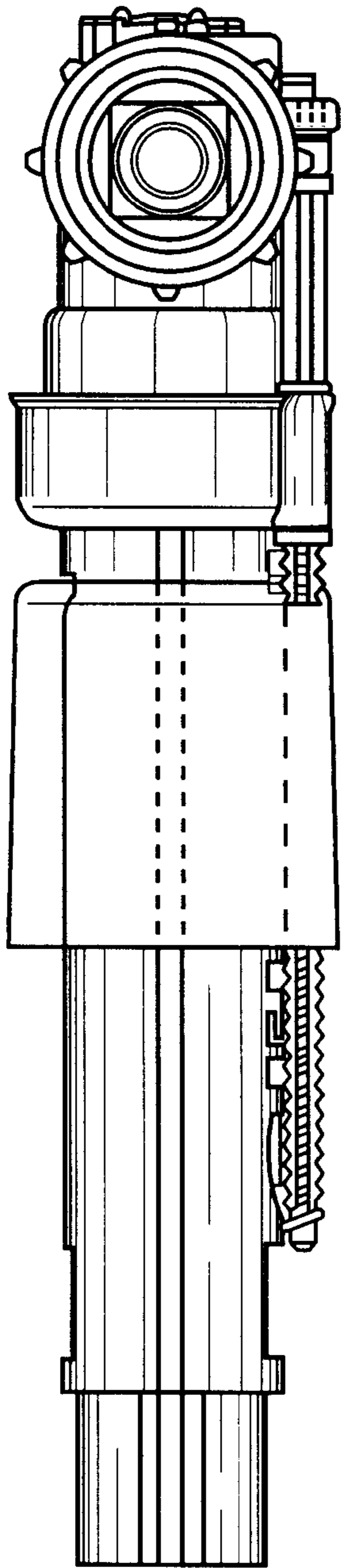


Fig. 1

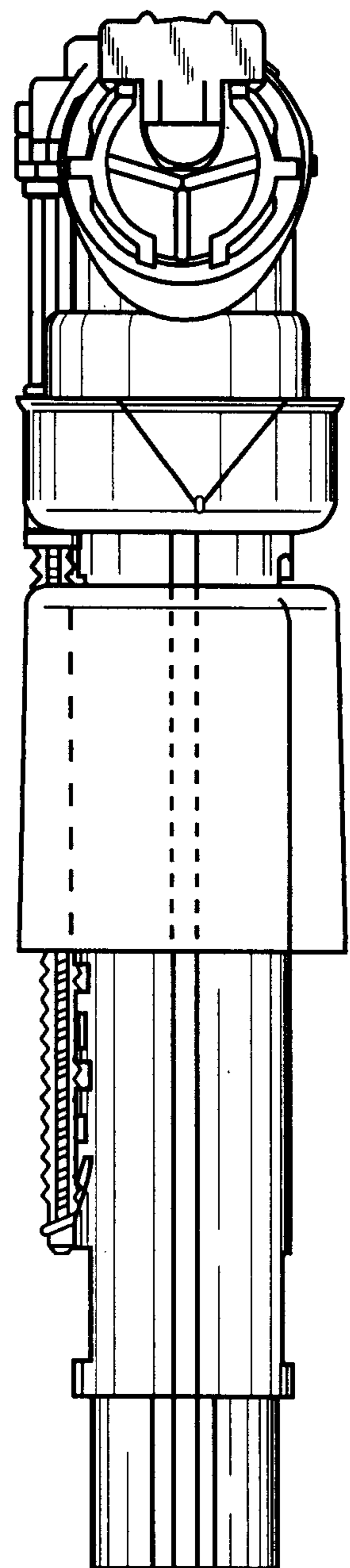


Fig. 2

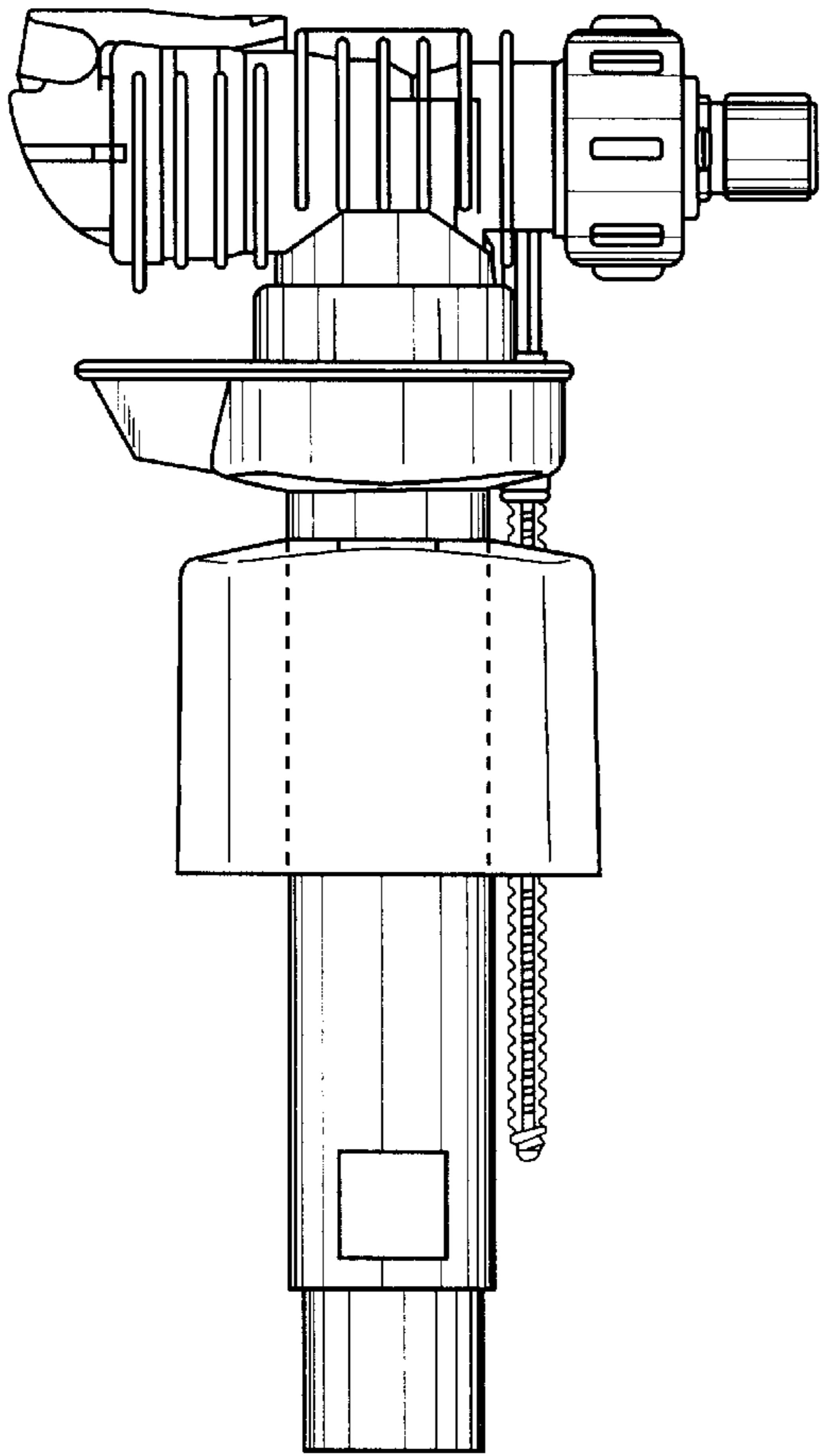


Fig. 3

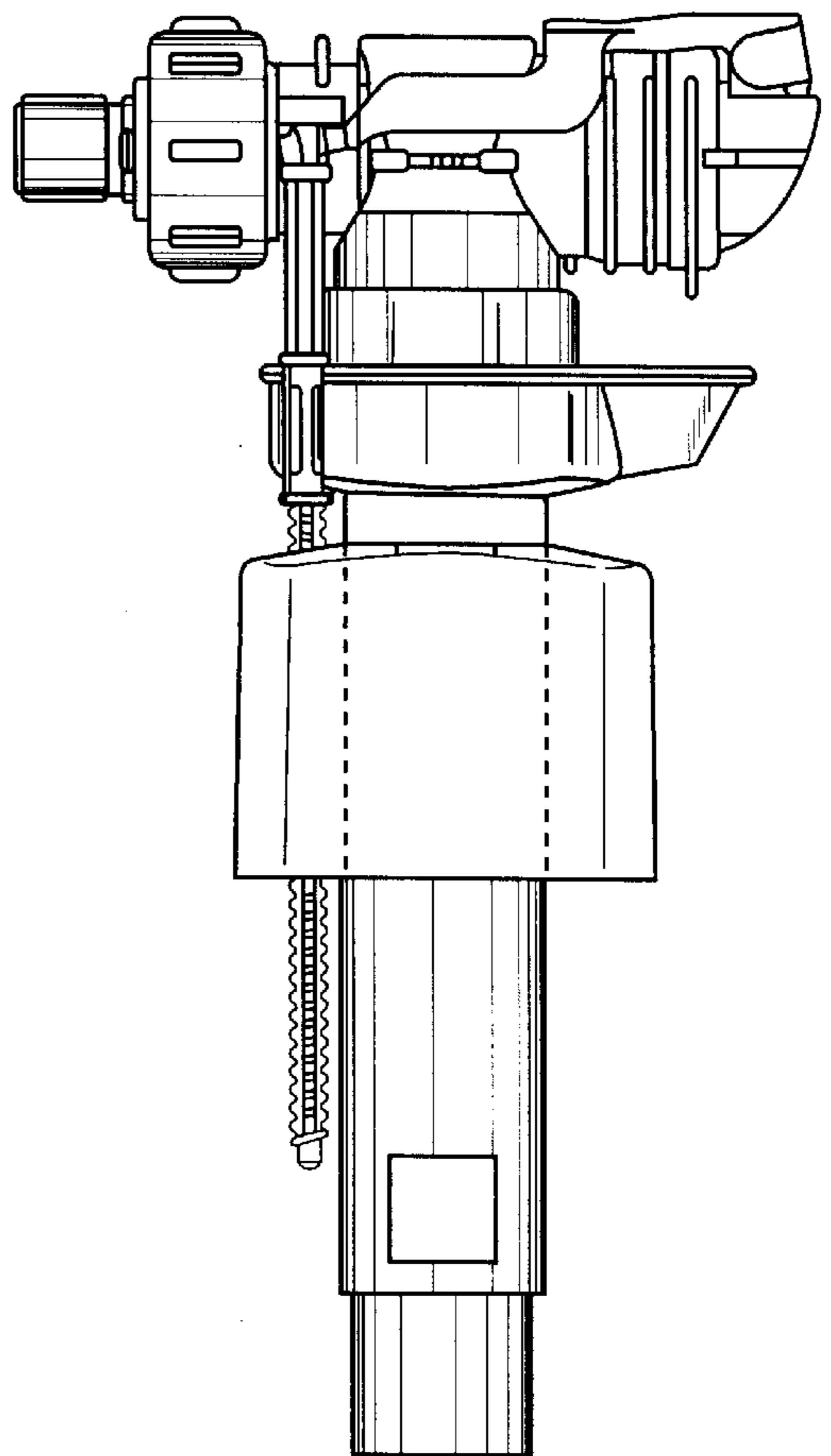


Fig. 4

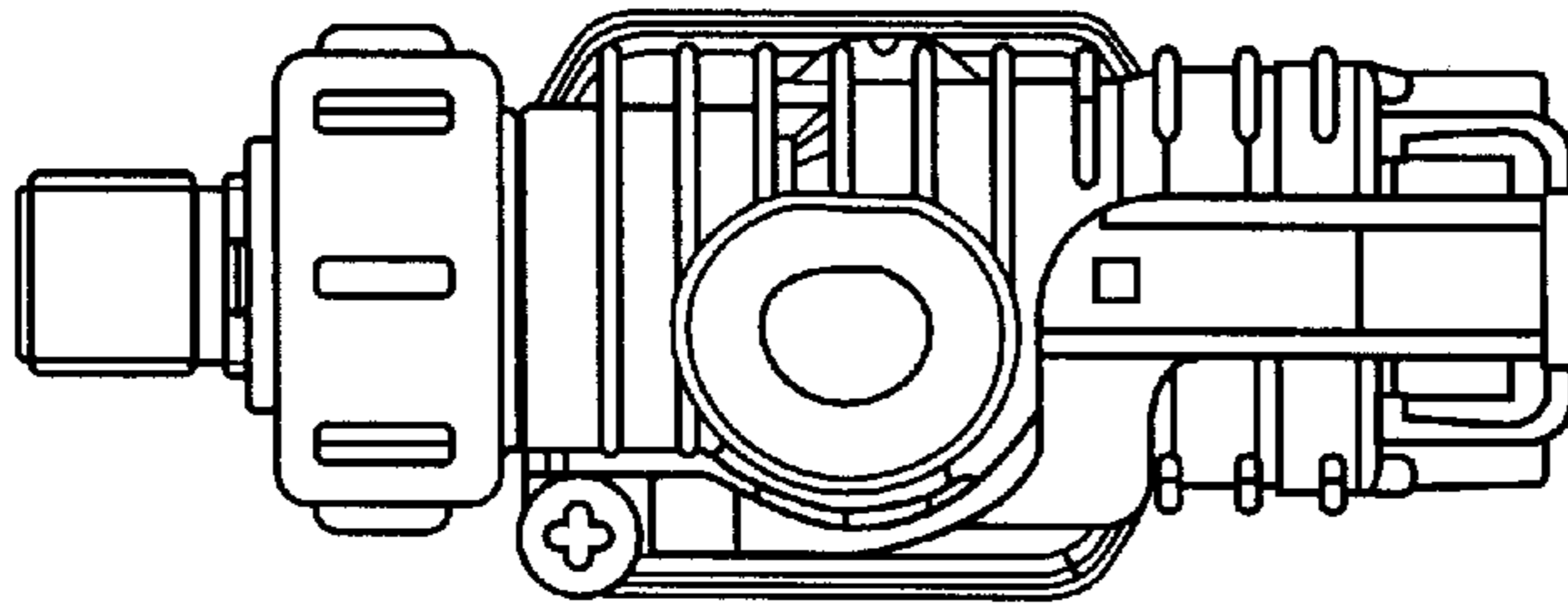


Fig. 5

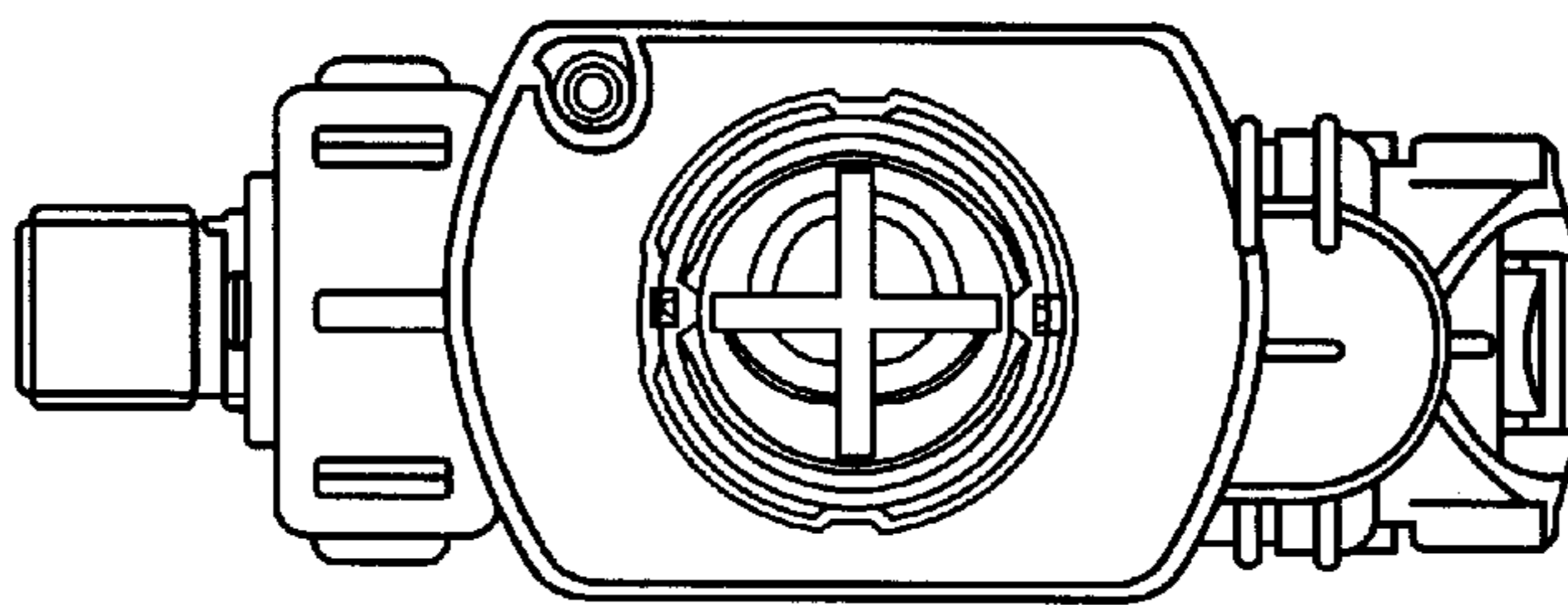


Fig. 6

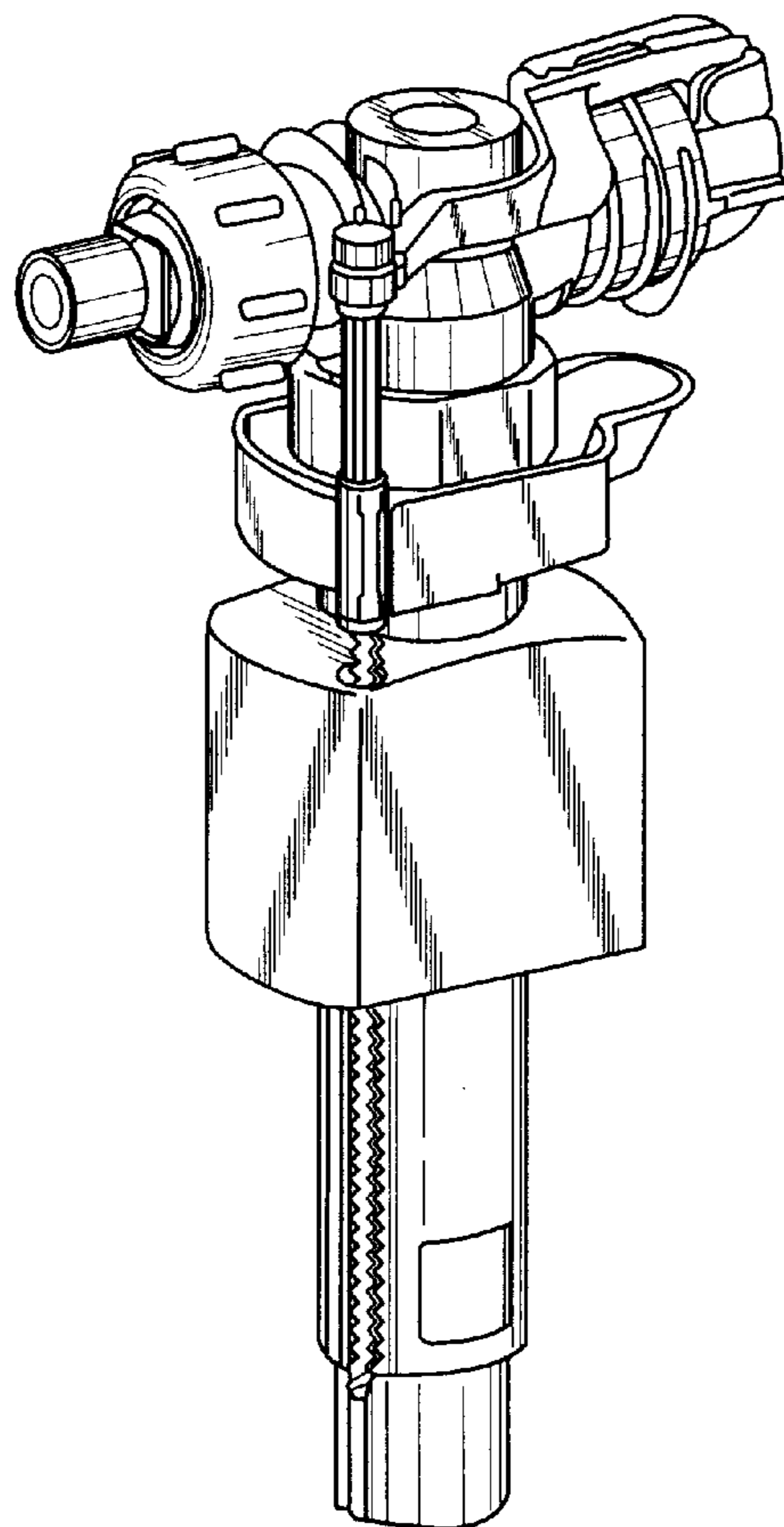


Fig. 7