



US00D439312S

(12) **United States Design Patent**
Fukano

(10) **Patent No.:** **US D439,312 S**

(45) **Date of Patent:** **** Mar. 20, 2001**

(54) **MANIFOLD FOR ELECTROMAGNETIC VALVES**

5,176,359 * 1/1993 Leveson et al. 137/884
5,893,394 * 4/1999 Meloche 137/884
5,915,409 * 6/1999 Kaneko et al. 137/884

(75) Inventor: **Yoshihiro Fukano**, Ibaraki-ken (JP)

* cited by examiner

(73) Assignee: **SMC Kabushiki Kaisha**, Tokyo (JP)

Primary Examiner—Robin V. Taylor

(**) Term: **14 Years**

(74) *Attorney, Agent, or Firm*—Frishauf, Holtz, Goodman, Langer & Chick, P.C.

(21) Appl. No.: **29/121,225**

(57) **CLAIM**

(22) Filed: **Apr. 3, 2000**

The ornamental design for a manifold for electromagnetic valves, as shown.

(30) **Foreign Application Priority Data**

Oct. 7, 1999 (JP) 11-27356

DESCRIPTION

(51) **LOC (7) Cl.** **23-01**

FIG. 1 is a top, front, right-side perspective view of a manifold for electromagnetic valves showing my new design;

(52) **U.S. Cl.** **D23/233**

FIG. 2 is a front view thereof;

(58) **Field of Search** D23/233-237,
D23/244, 245; 137/884, 625.64, 596.13,
596.16

FIG. 3 is a rear view thereof;

FIG. 4 is a top plan view thereof;

FIG. 5 is a bottom plan view thereof;

FIG. 6 is a left side view thereof; and,

FIG. 7 is a right side view thereof.

(56) **References Cited**

U.S. PATENT DOCUMENTS

D. 420,100 * 2/2000 Sato et al. D23/233
3,698,432 * 10/1972 Kutz 137/608

1 Claim, 4 Drawing Sheets

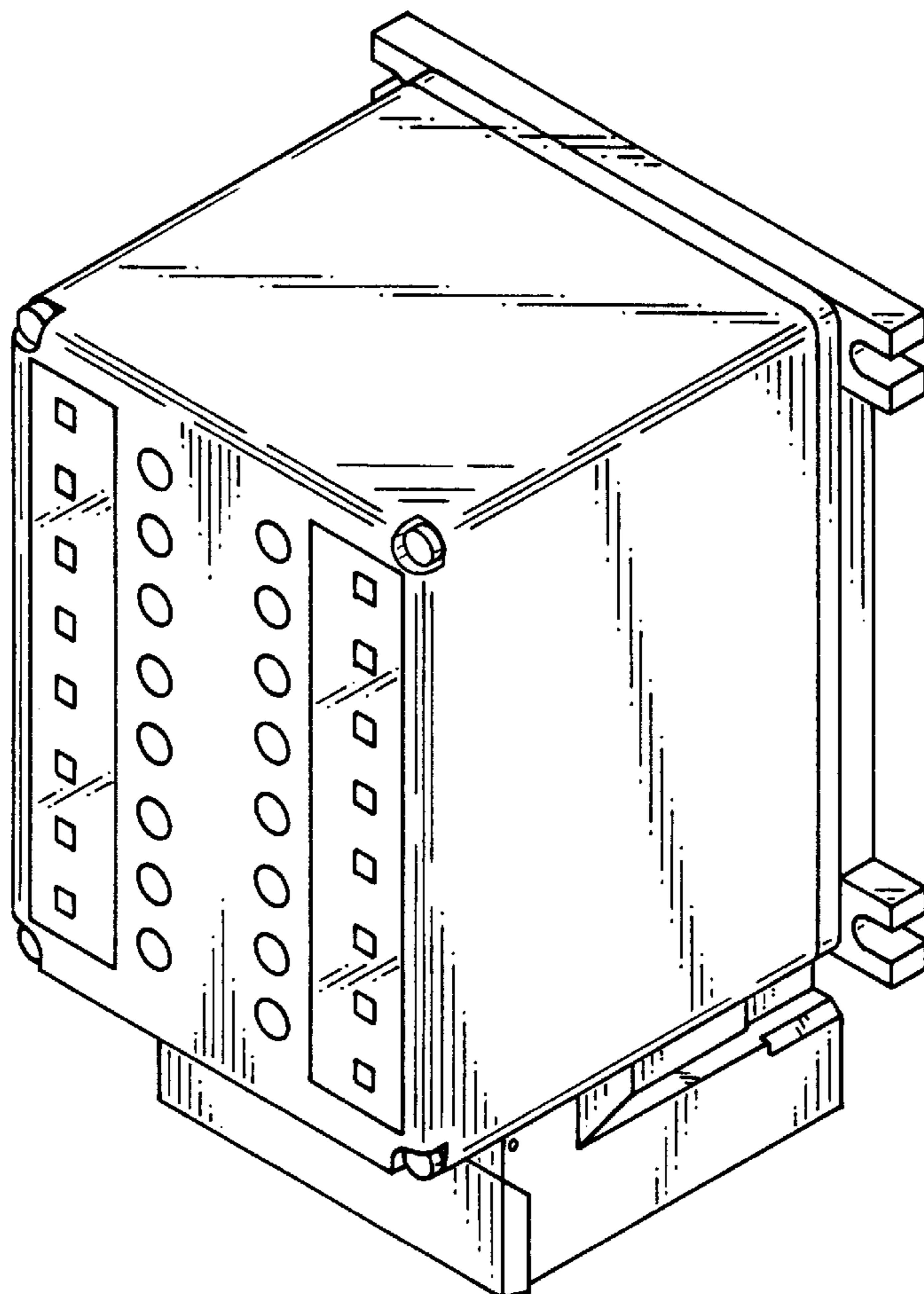


FIG. 1

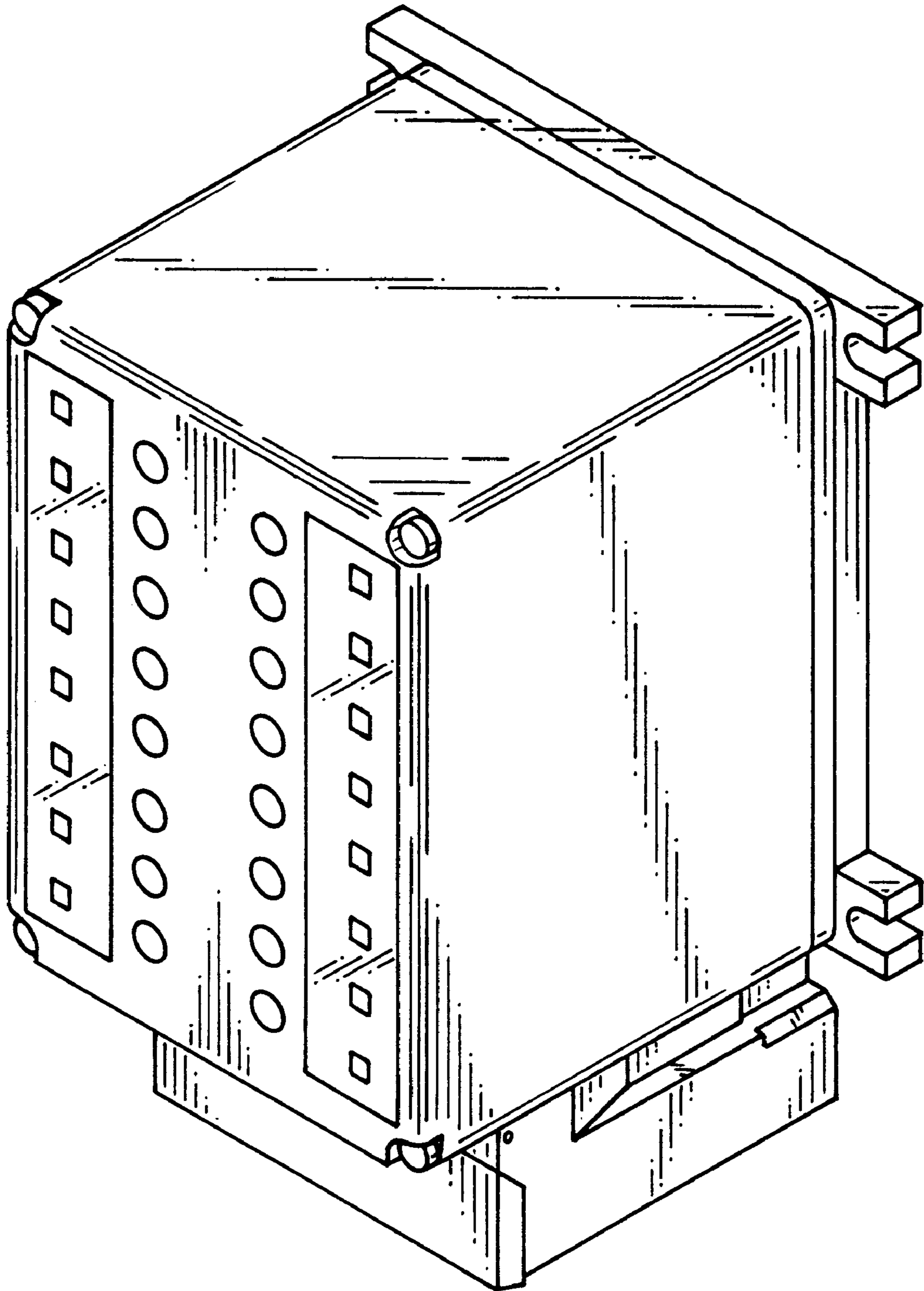


FIG. 3

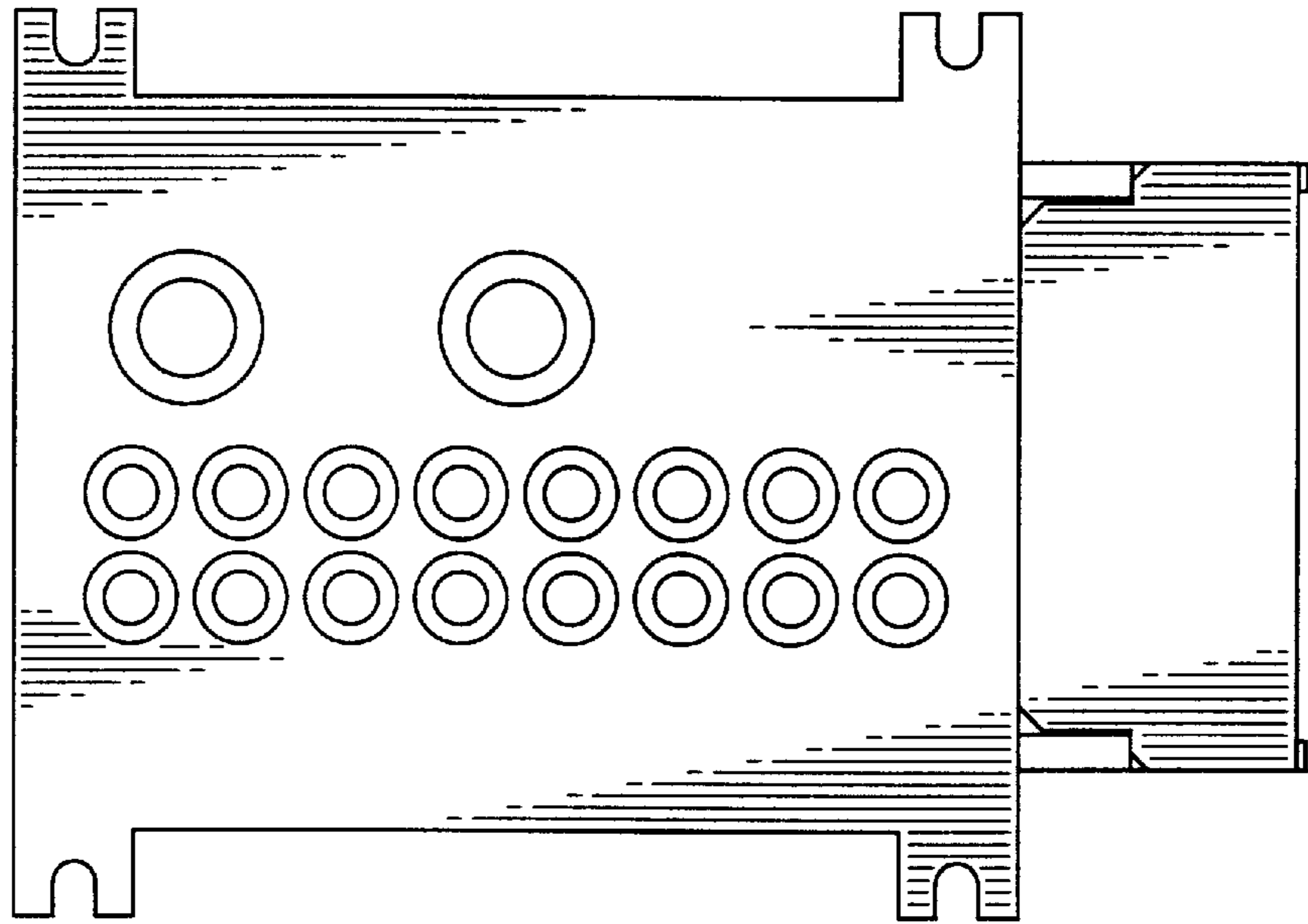


FIG. 2

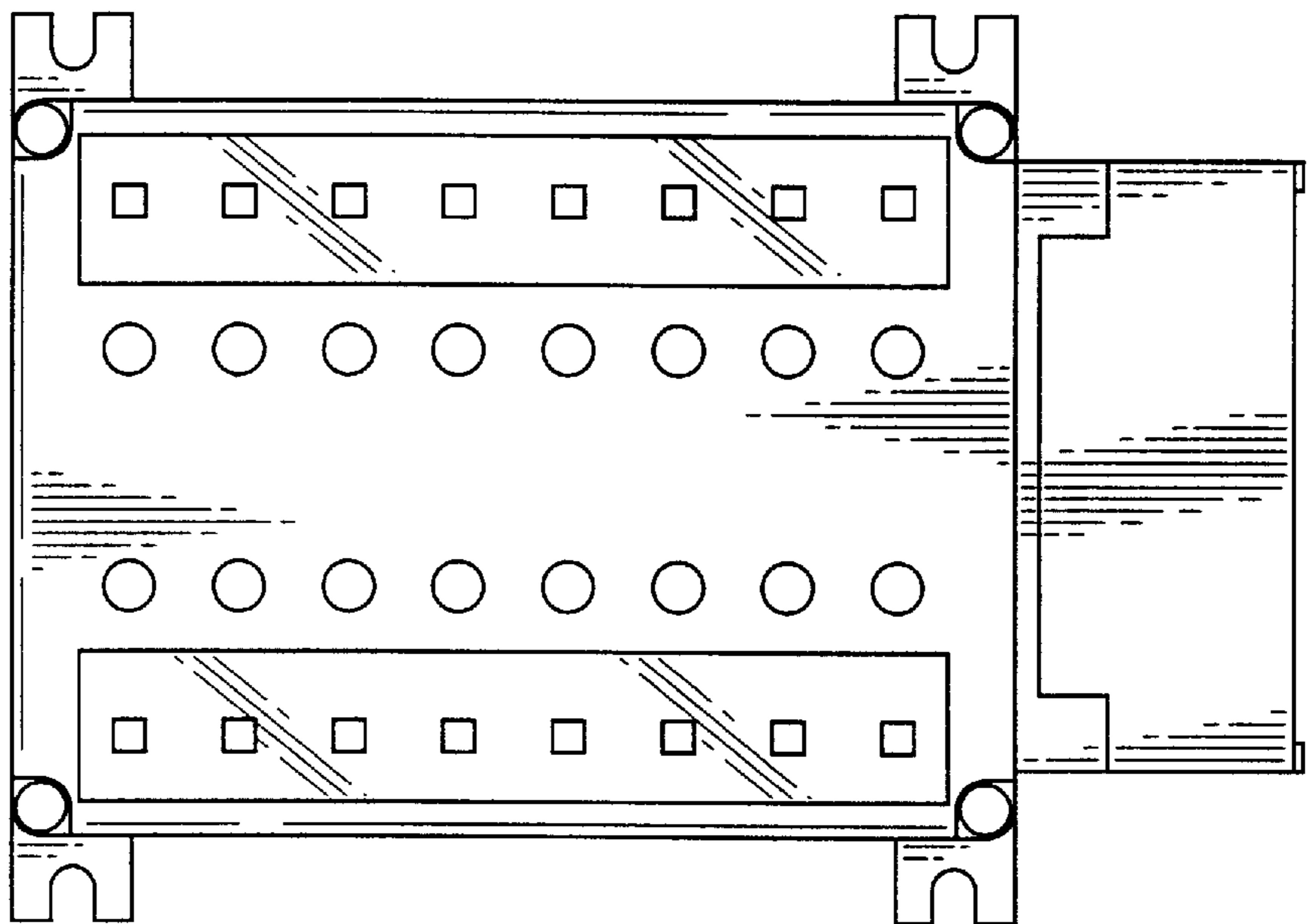


FIG. 5

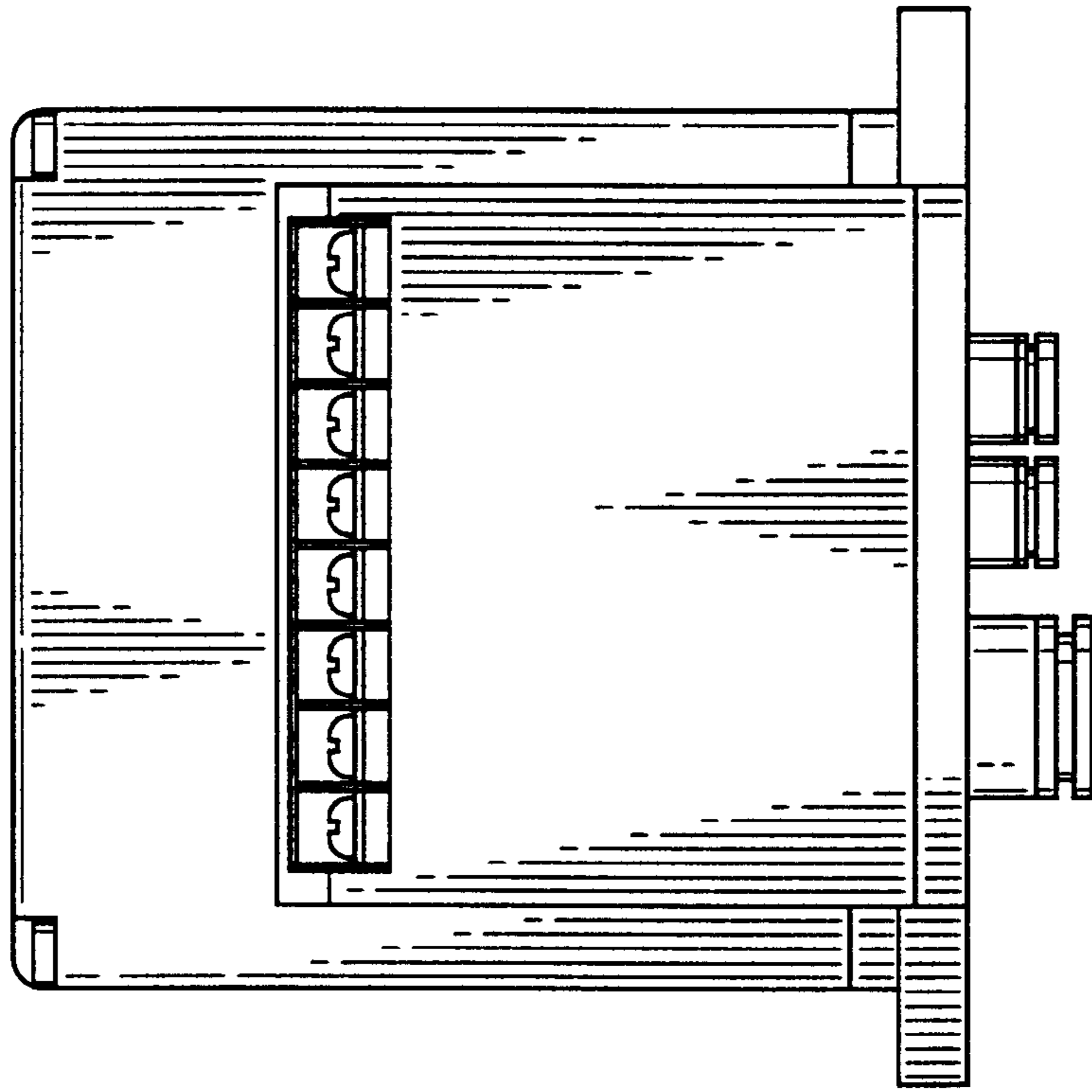


FIG. 4

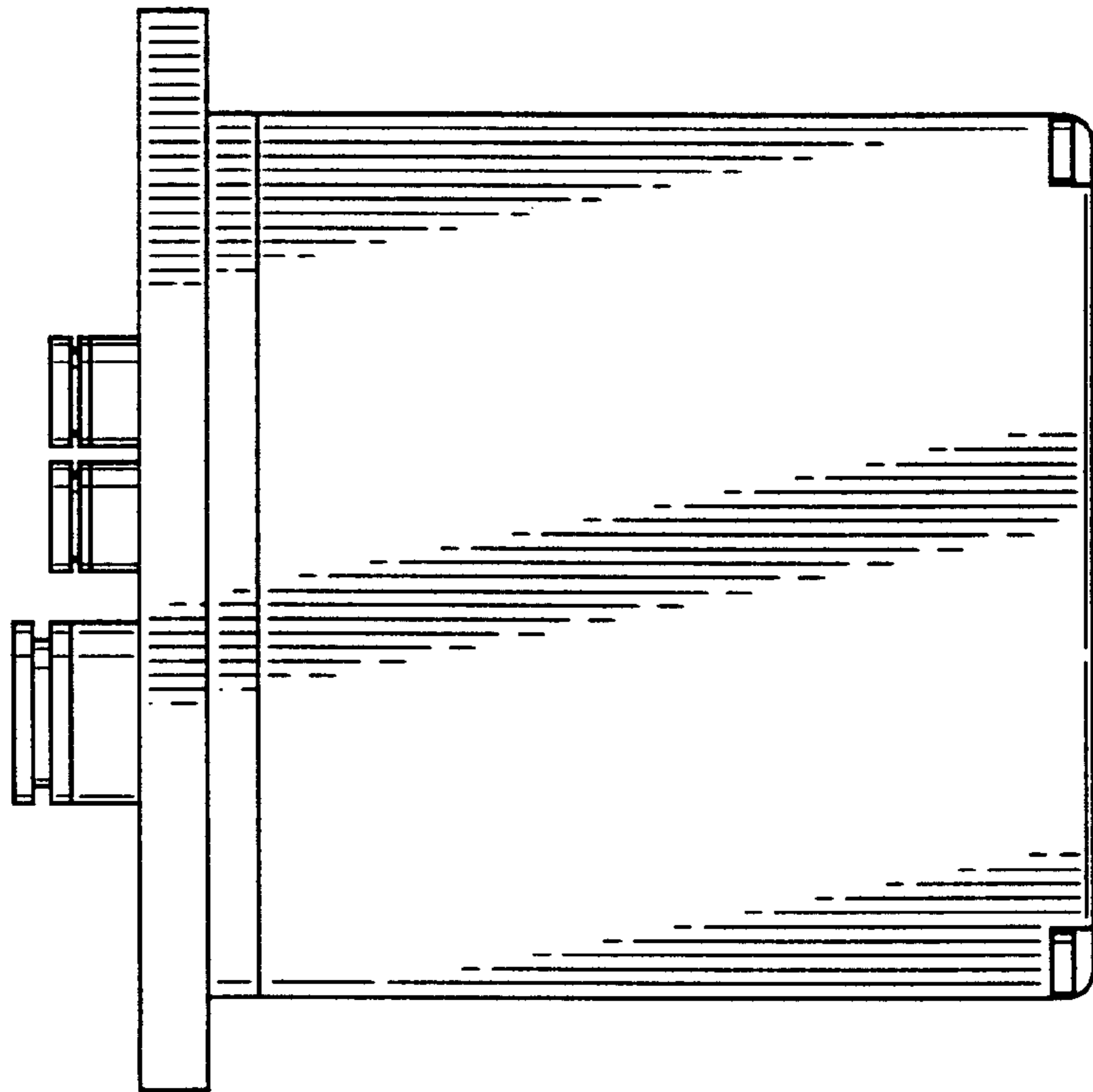


FIG. 7

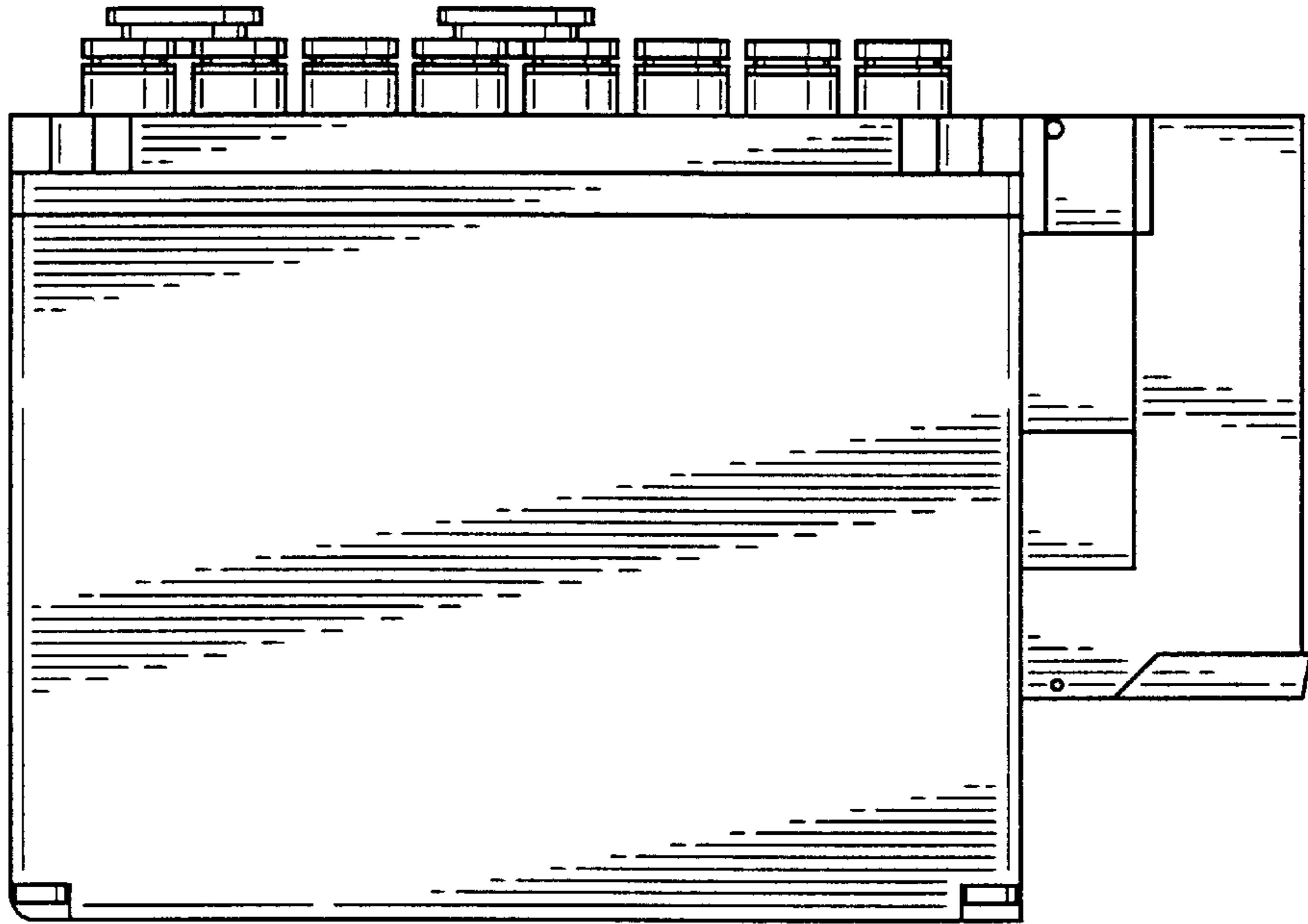


FIG. 6

