



US00D439311S

(12) **United States Design Patent**
Martin

(10) **Patent No.:** **US D439,311 S**

(45) **Date of Patent:** **** Mar. 20, 2001**

(54) **VALVE**

(75) **Inventor:** **Richard L. Martin**, Point Richmond, CA (US)

(73) **Assignee:** **Veriflo Corporation**, Richmond, CA (US)

(**) **Term:** **14 Years**

(21) **Appl. No.:** **29/115,378**

(22) **Filed:** **Dec. 14, 1999**

Related U.S. Application Data

(62) Division of application No. 29/090,084, filed on Jun. 30, 1998, now Pat. No. Des. 421,092.

(51) **LOC (7) Cl.** **23-01**

(52) **U.S. Cl.** **D23/233; D23/245**

(58) **Field of Search** **D23/233-235, D23/244-5; 251/335.3, 305, 332**

(56) **References Cited**

U.S. PATENT DOCUMENTS

- D. 301,915 * 6/1989 Fisher et al. D23/233
- D. 332,822 * 1/1993 Reid et al. D23/233
- D. 335,918 * 5/1993 Glansk D23/245

- D. 347,882 6/1994 Greenwood et al. .
- D. 348,096 6/1994 Greenwood et al. .
- 4,911,411 * 3/1990 Jones et al. 251/335.3
- 4,991,619 * 2/1991 Porta 251/335.3
- 5,385,334 1/1995 Greenwood et al. .
- 5,482,254 1/1996 Greenwood et al. .

* cited by examiner

Primary Examiner—Robin V. Taylor

(74) *Attorney, Agent, or Firm*—Antonelli, Terry, Stout & Kraus, LLP

(57) **CLAIM**

The ornamental design for a valve, as shown and described.

DESCRIPTION

FIG. 1 is a front elevational view of an embodiment of the valve according to the invention;
 FIG. 2 is an end view of the upwardly inclined portion of the valve of FIG. 1 as seen in a direction along the longitudinal axis of the upwardly inclined portion;
 FIG. 3 is a front elevational view of a another embodiment of the valve according to the invention; and,
 FIG. 4 is an end view of the upwardly inclined portion of the valve of FIG. 3 as seen in a direction along the longitudinal axis of the upwardly inclined portion.

1 Claim, 2 Drawing Sheets

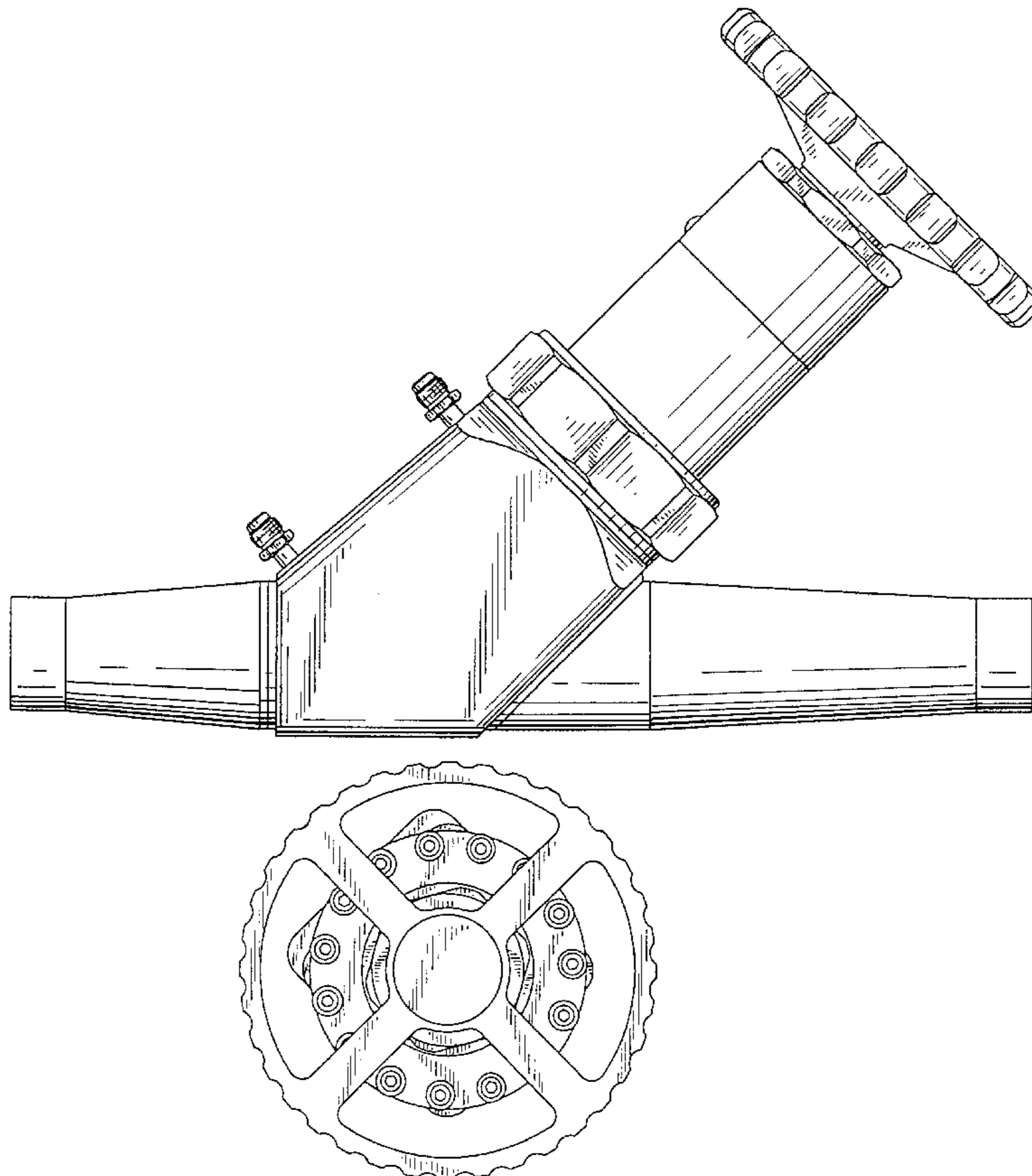


FIG. 2

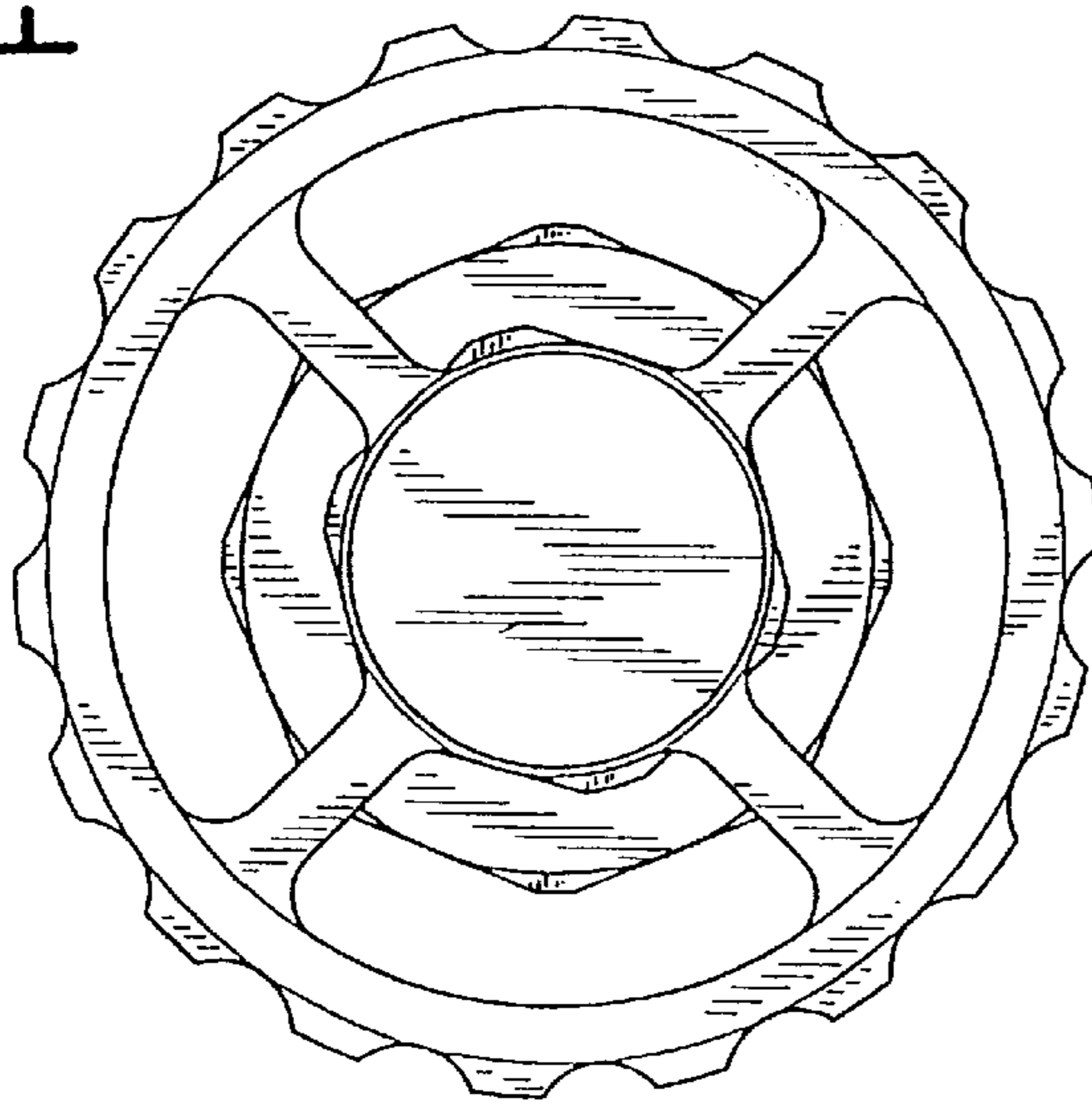
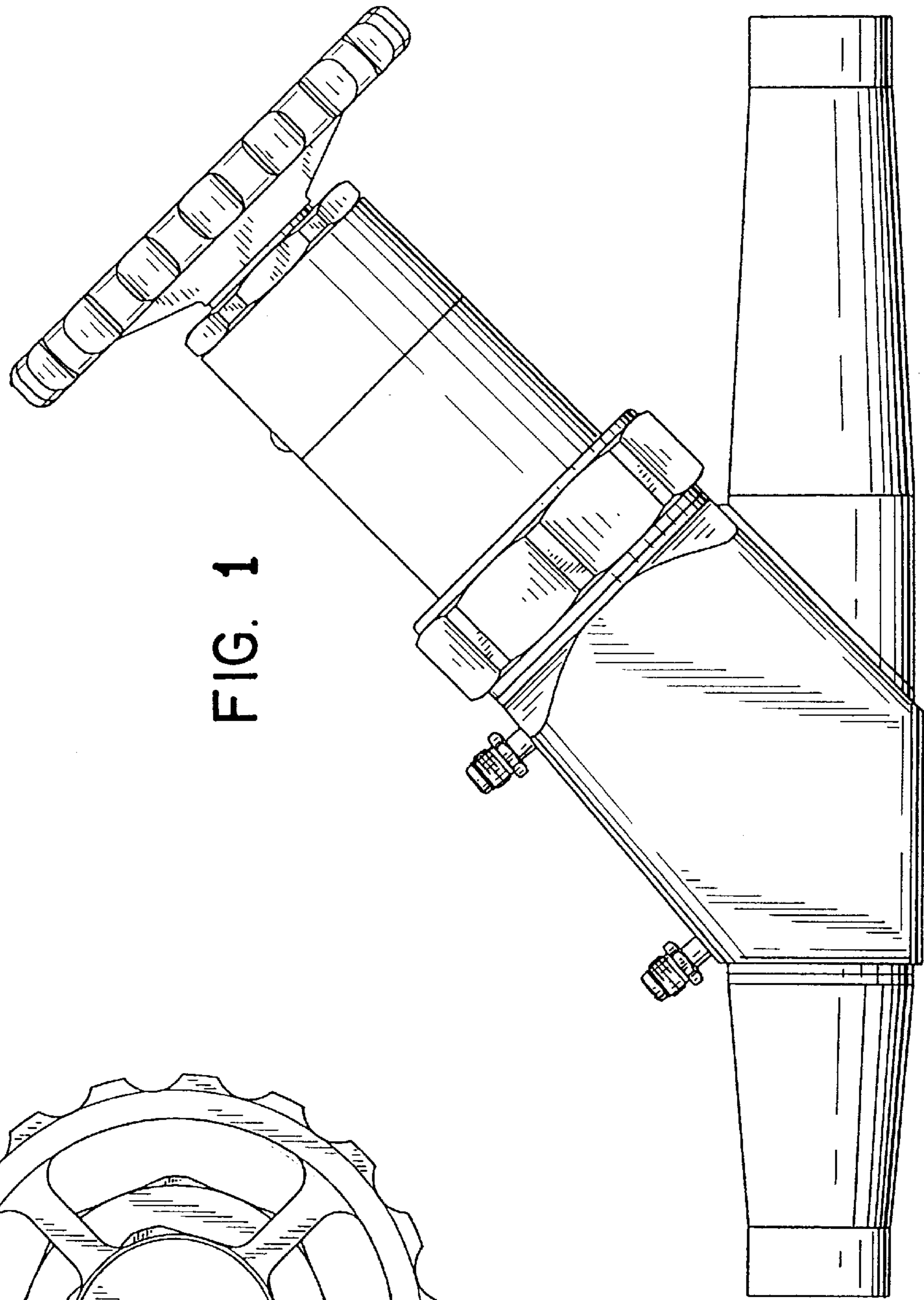


FIG. 1



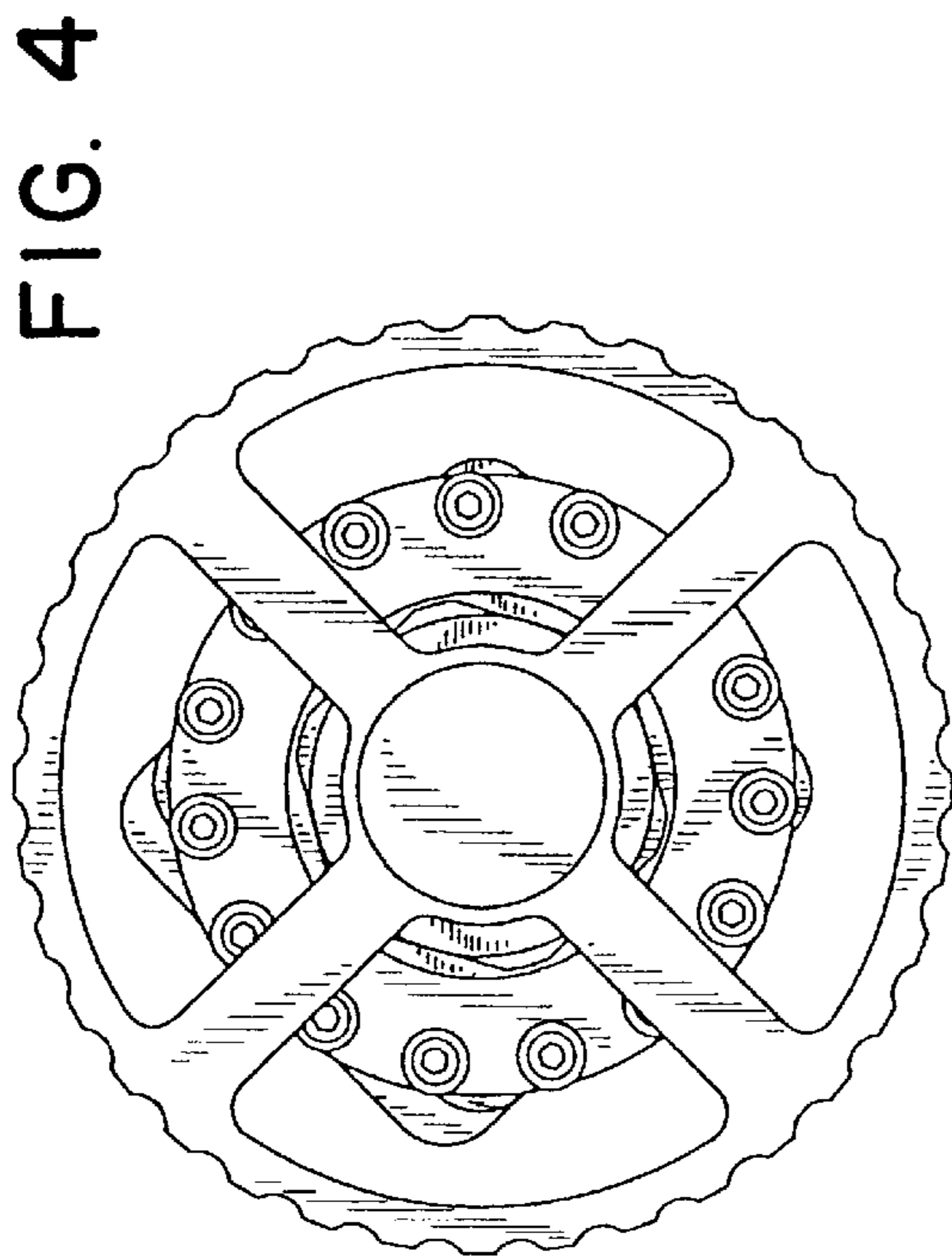


FIG. 4

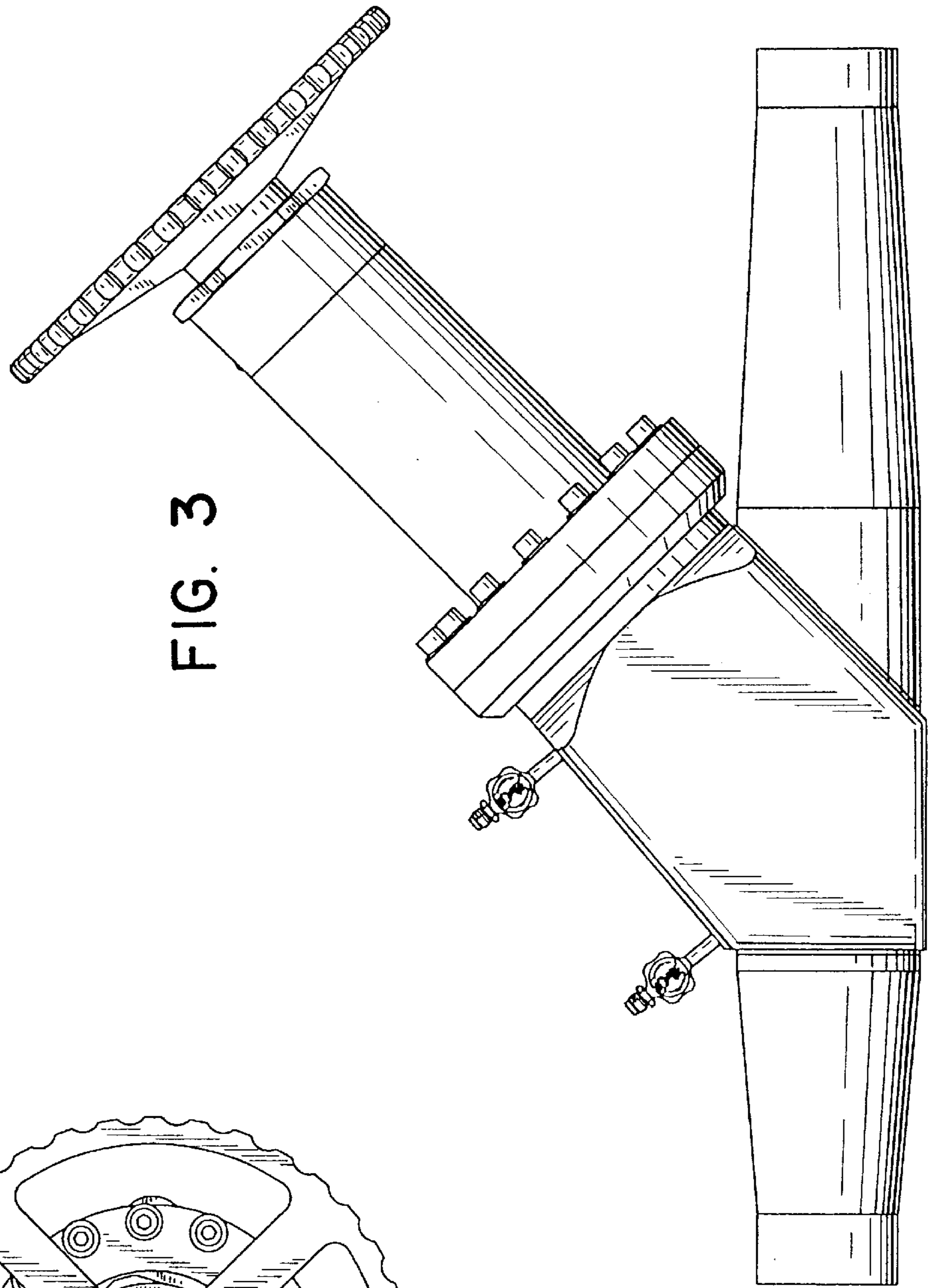


FIG. 3