



US00D439310S

(12) **United States Design Patent**  
**Wang**

(10) **Patent No.:** **US D439,310 S**

(45) **Date of Patent:** **\*\* Mar. 20, 2001**

(54) **AIR PUMP**

(76) Inventor: **Ta-Chin Wang**, 17F-2, No. 457,  
Cheng-Kung Rd., Tainan (TW)

(\*\*) Term: **14 Years**

(21) Appl. No.: **29/123,064**

(22) Filed: **May 10, 2000**

(30) **Foreign Application Priority Data**

Dec. 16, 1999 (TW) ..... 99 3 34431

(51) **LOC (7) Cl.** ..... **23-01**

(52) **U.S. Cl.** ..... **D23/231**

(58) **Field of Search** ..... D23/231, 232;  
417/903, 464

(56) **References Cited**

**U.S. PATENT DOCUMENTS**

D. 257,878 \* 1/1981 Schwartz ..... D23/231  
3,301,190 \* 1/1967 Gondek ..... 417/903  
4,289,458 \* 9/1981 Price ..... 417/464

**OTHER PUBLICATIONS**

Brookstone catalog; Foot Pump; p. 24, Feb. 1987.\*

\* cited by examiner

*Primary Examiner*—Robin V. Taylor

(74) *Attorney, Agent, or Firm*—Dougherty & Troxell

(57) **CLAIM**

The ornamental design for air pump, shown and described.

**DESCRIPTION**

FIG. 1 is a front side perspective view showing our new design for air pump;

FIG. 2 is a rear side perspective view thereof;

FIG. 3 is a front elevational view thereof;

FIG. 4 is a rear elevational view thereof;

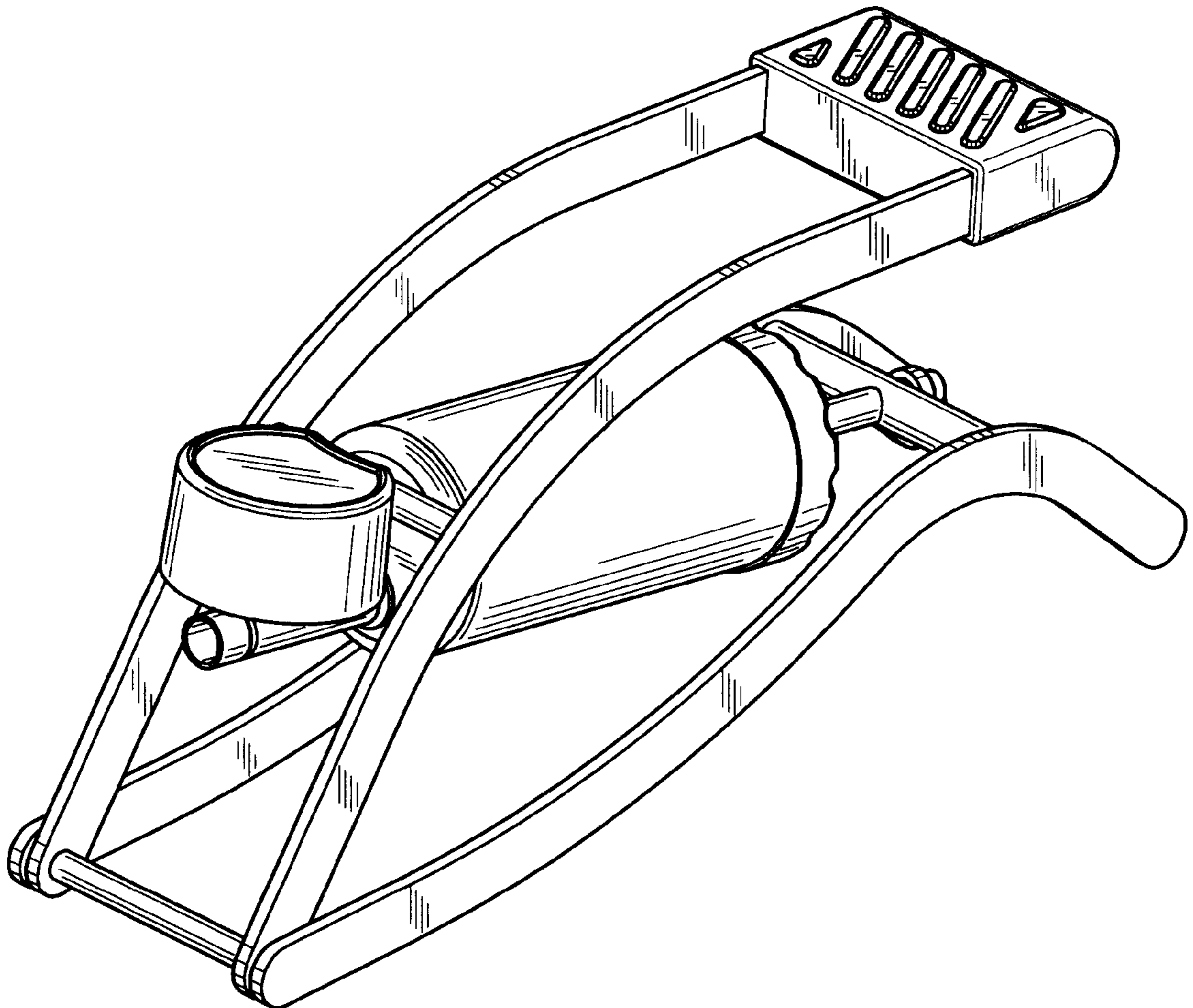
FIG. 5 is a left side elevational view thereof;

FIG. 6 is a right side elevational view thereof;

FIG. 7 is a top view thereof; and,

FIG. 8 is a bottom view thereof.

**1 Claim, 5 Drawing Sheets**



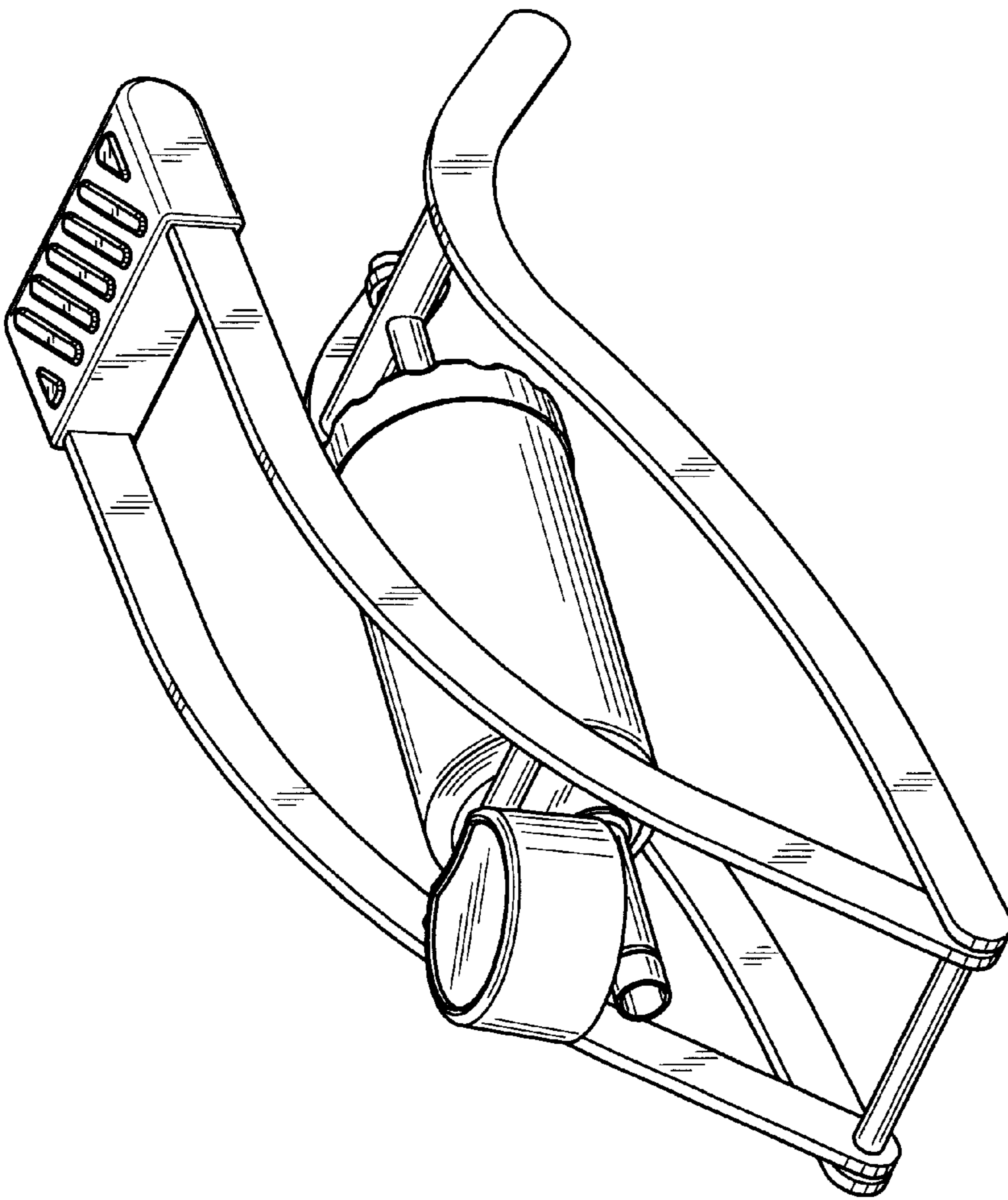


Fig. 1

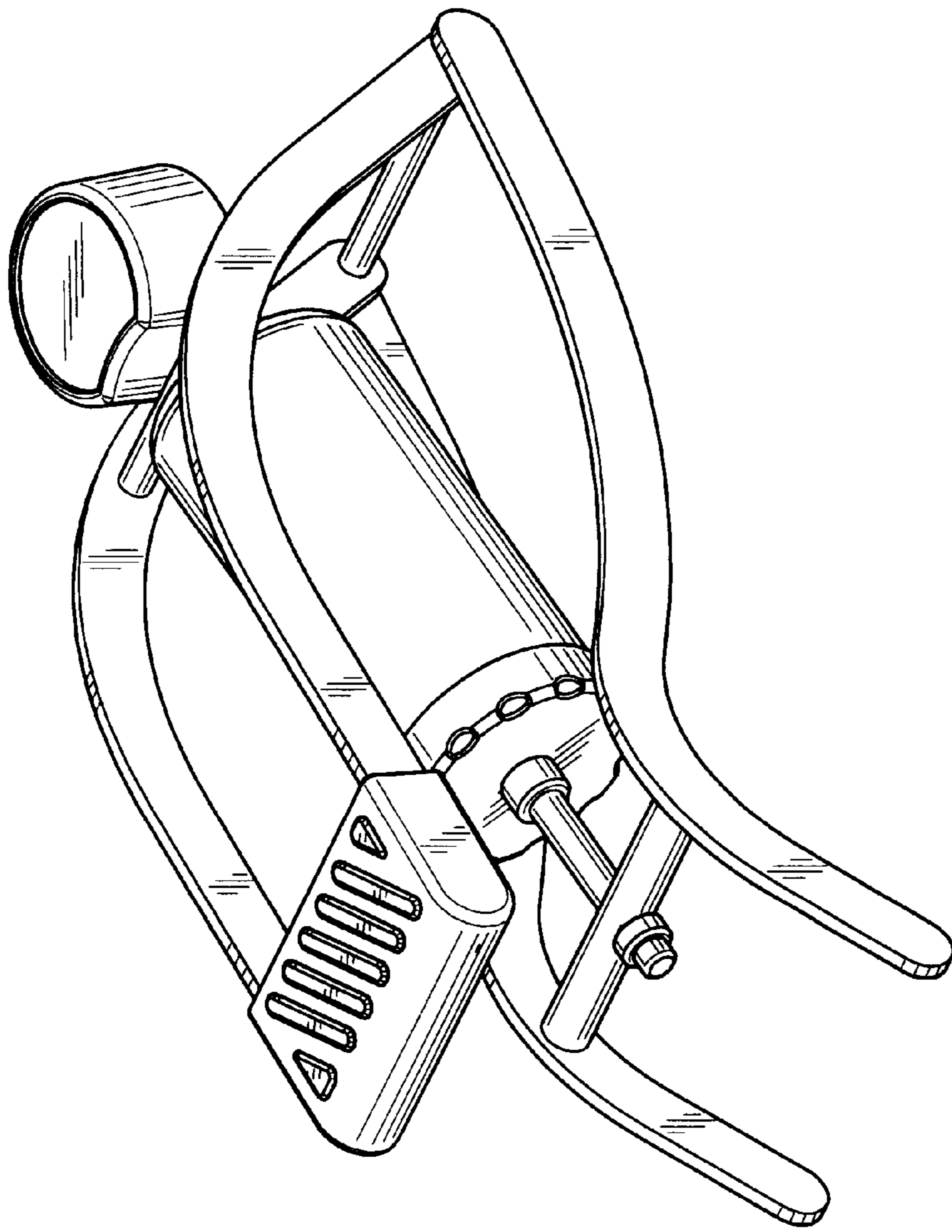


Fig. 2

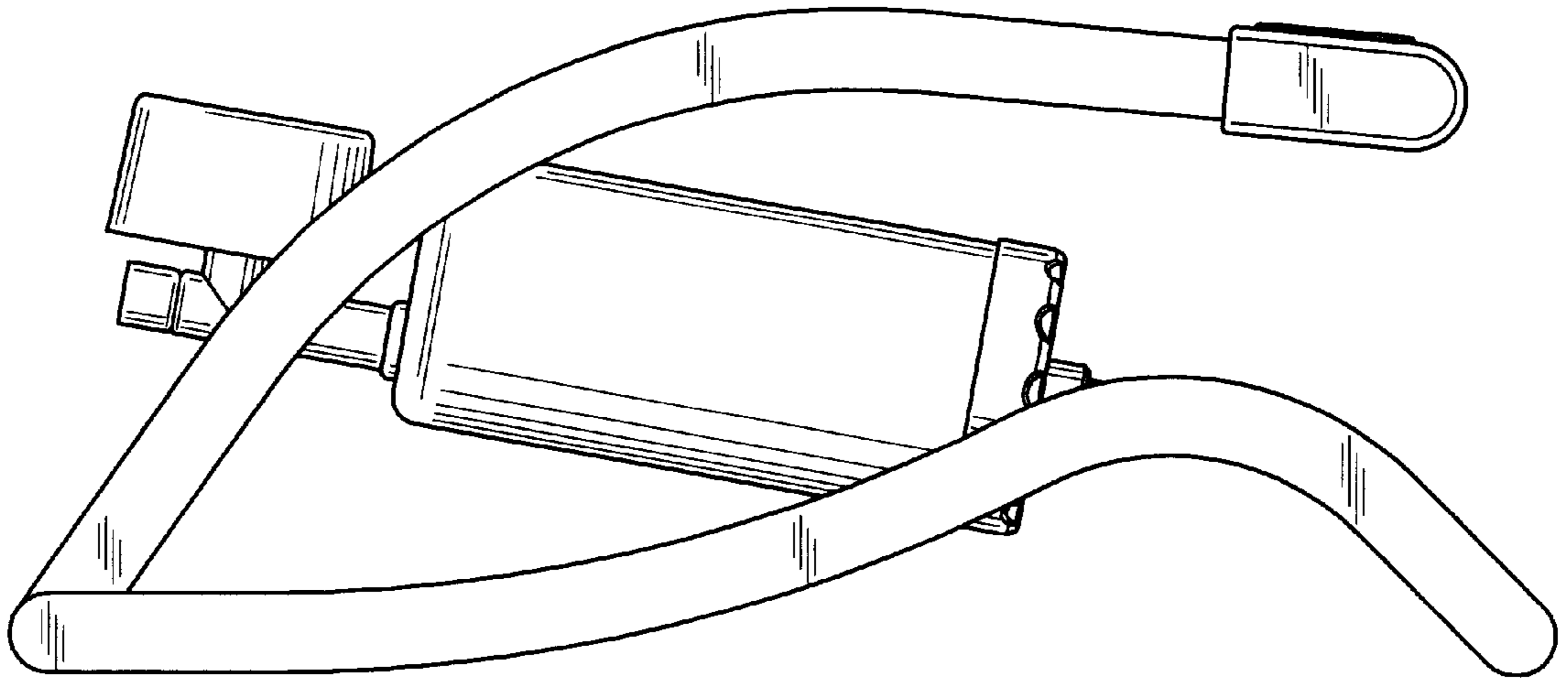


Fig. 3

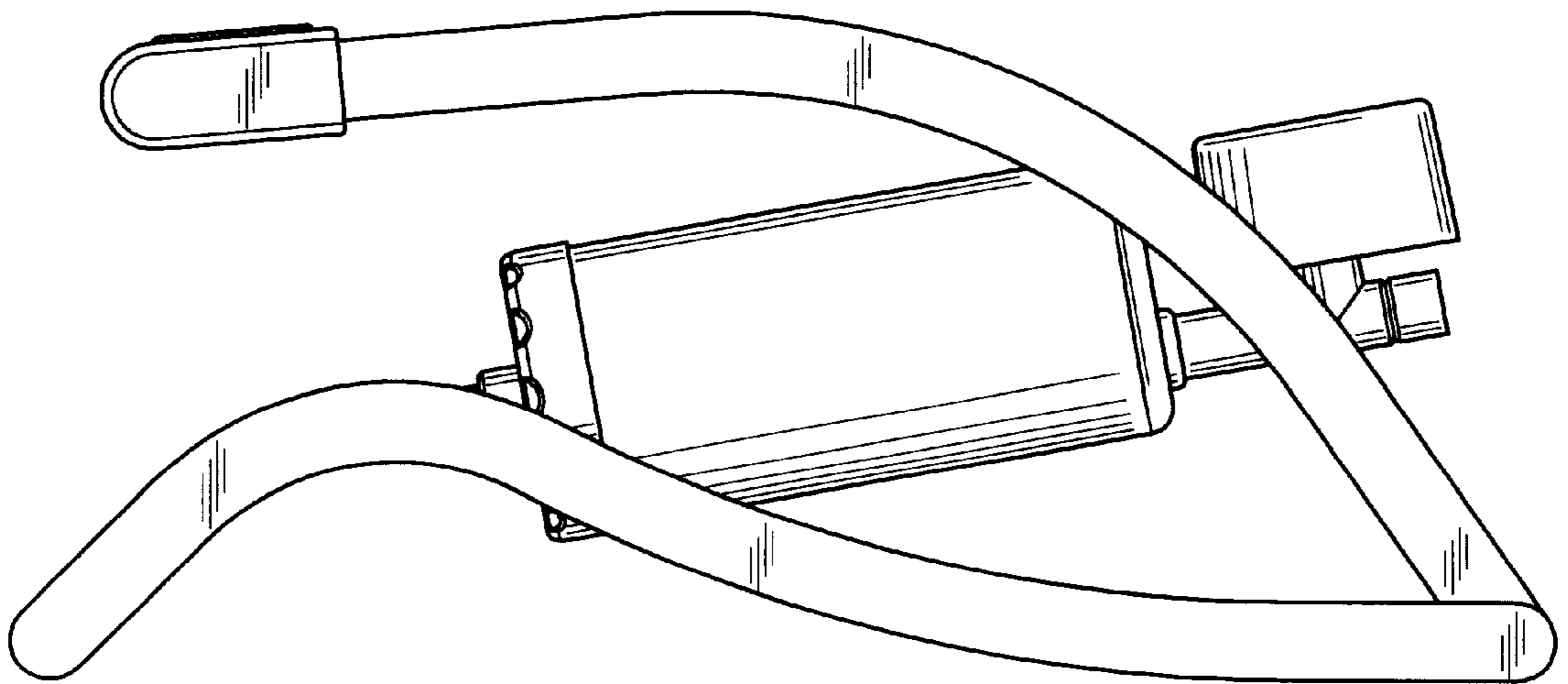


Fig. 4

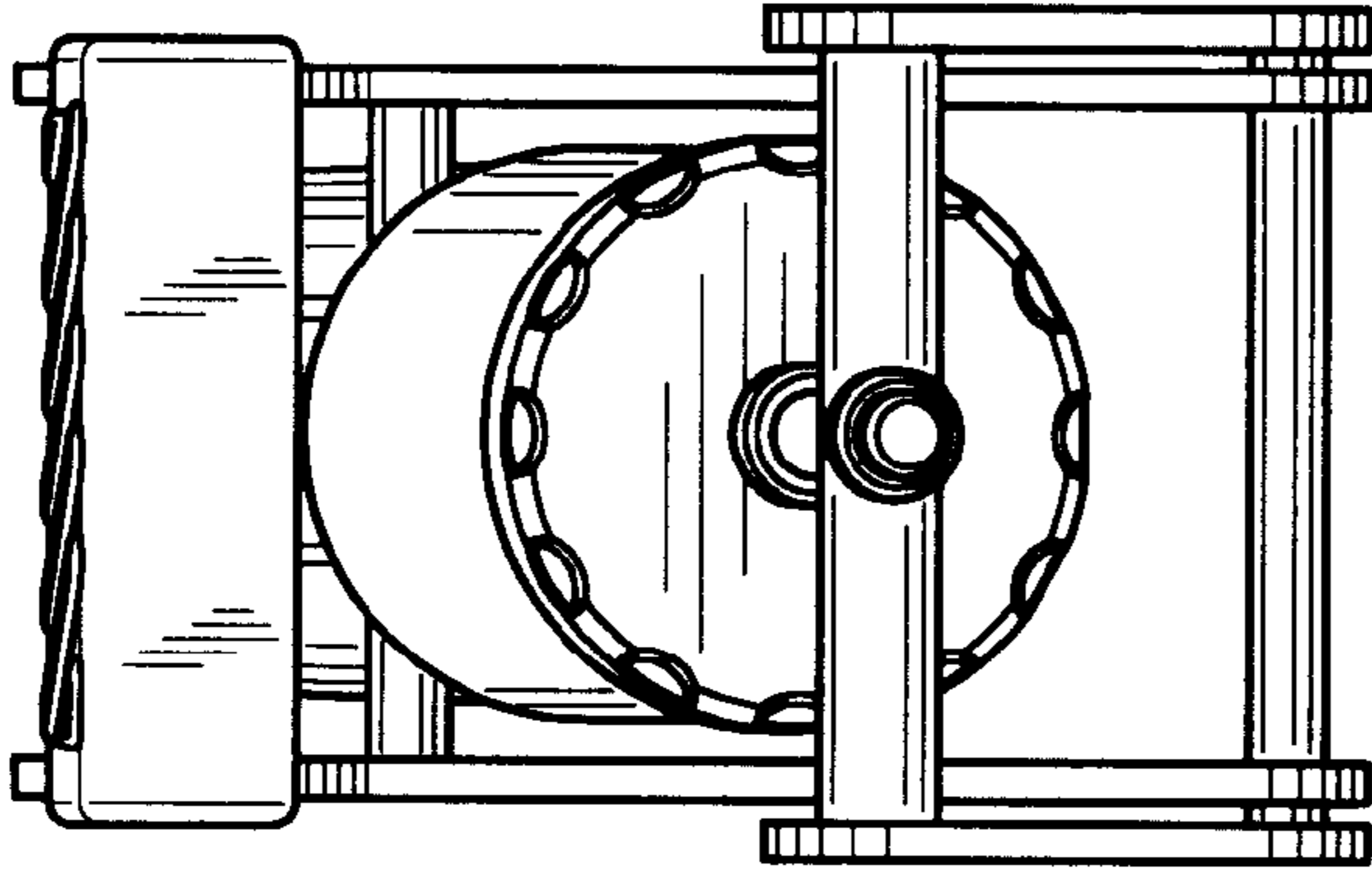


Fig. 5

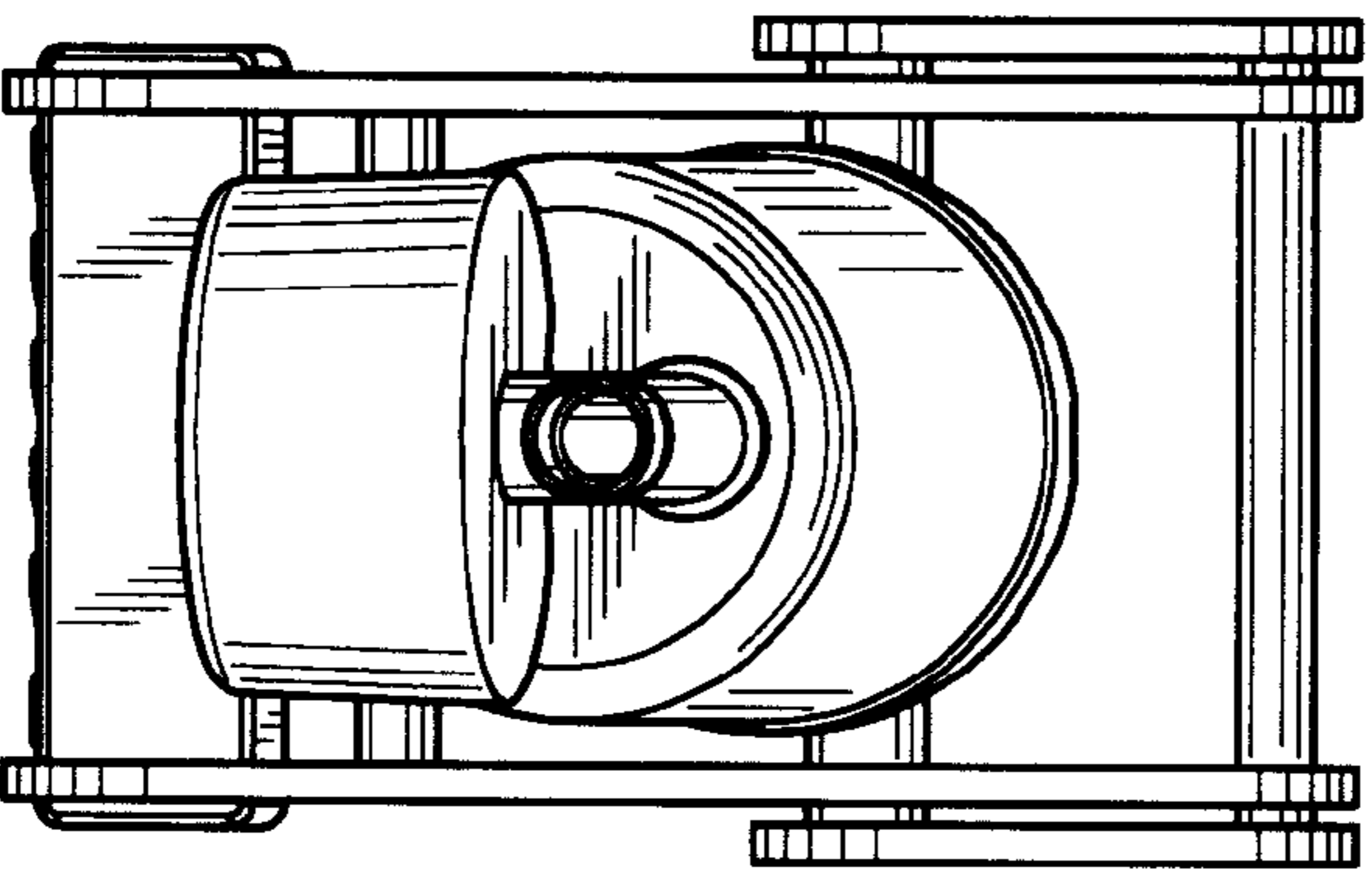


Fig. 6

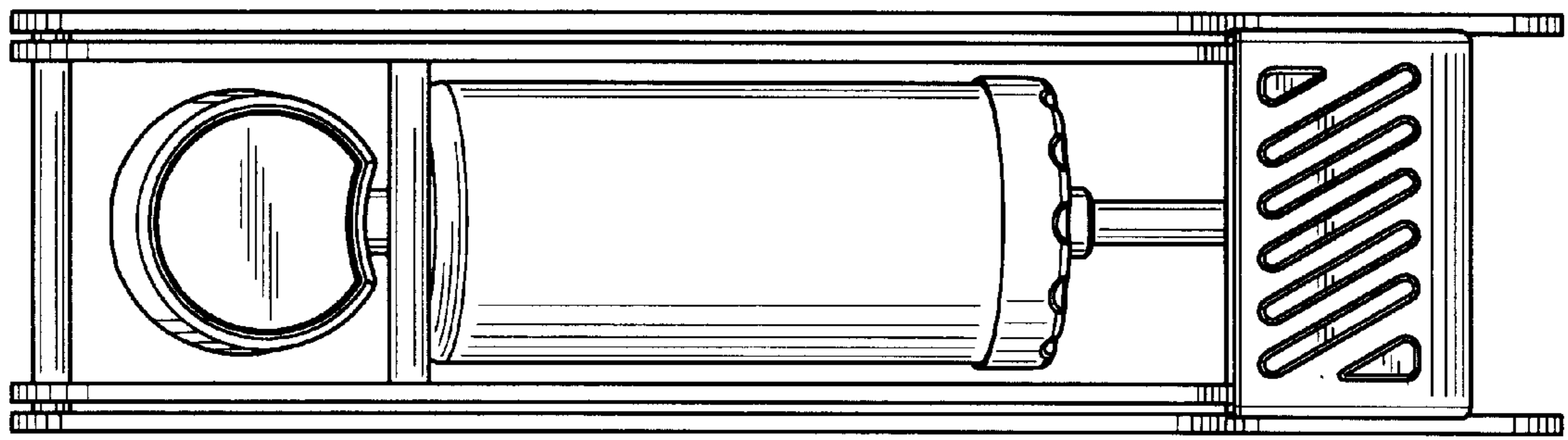


Fig. 7

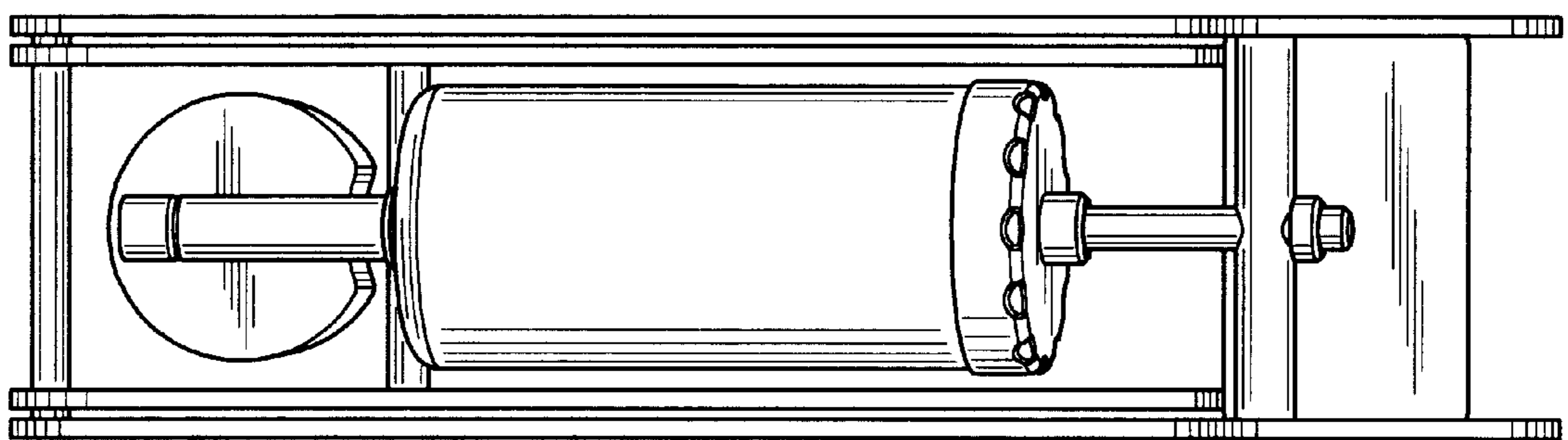


Fig. 8