



US00D439308S

(12) **United States Design Patent**  
**Milrud**

(10) **Patent No.:** **US D439,308 S**

(45) **Date of Patent:** **\*\* Mar. 20, 2001**

- (54) **SHOWER HEAD DIAL RING**
- (75) **Inventor:** **Eduardo Milrud**, Chagrin Falls, OH (US)
- (73) **Assignee:** **Moen Incorporated**, North Olmsted, OH (US)
- (\*\*) **Term:** **14 Years**
- (21) **Appl. No.:** **29/123,236**
- (22) **Filed:** **May 15, 2000**
- (51) **LOC (7) Cl.** ..... **23-01**
- (52) **U.S. Cl.** ..... **D23/229; D23/213**
- (58) **Field of Search** ..... **D23/213, 223, D23/226, 229-230; 239/460-462**

- D. 370,052 5/1996 Chan et al. .
- D. 374,271 10/1996 Fleischmann .
- D. 374,477 10/1996 Dow et al. .
- D. 375,541 11/1996 Michaluk .
- D. 377,965 \* 2/1997 Andrus ..... D23/213
- D. 379,212 5/1997 Chan .
- D. 385,331 10/1997 Andrus .
- D. 385,332 10/1997 Andrus .
- D. 385,333 10/1997 Caroen et al. .
- D. 387,413 12/1997 Andrus .
- D. 389,558 1/1998 Andrus .
- D. 392,369 3/1998 Chan .
- D. 393,046 \* 3/1998 Andrus et al. .... D23/213
- D. 398,953 9/1998 Andrus et al. .
- D. 400,966 11/1998 Ratzlaff .
- D. 401,669 11/1998 Ratzlaff .
- D. 403,408 12/1998 Andrus et al. .
- D. 405,502 2/1999 Tse .
- D. 410,275 5/1999 Lipshitz .
- D. 410,276 5/1999 Ben-Tsur .

(56) **References Cited**

**U.S. PATENT DOCUMENTS**

- D. 241,546 9/1976 Rizzuto .
- D. 313,833 \* 1/1991 Presman ..... D23/213
- D. 327,115 6/1992 Rogers .
- D. 327,729 7/1992 Rogers .
- D. 328,634 8/1992 Ward .
- D. 332,303 1/1993 Klose .
- D. 334,048 3/1993 Ben-Zur .
- D. 339,627 9/1993 Klose .
- D. 347,260 5/1994 Ben-Zur .
- D. 348,720 7/1994 Haug et al. .
- D. 351,453 10/1994 Huen .
- D. 352,092 11/1994 Warshawsky .
- D. 352,766 11/1994 Hill et al. .
- D. 355,242 2/1995 Warshawsky .
- D. 361,623 8/1995 Huen .
- D. 367,315 2/1996 Andrus .
- D. 368,761 4/1996 Andrus .
- D. 369,203 4/1996 Andrus .
- D. 369,204 4/1996 Andrus .
- D. 369,205 4/1996 Andrus .

\* cited by examiner

*Primary Examiner*—Robin V. Taylor  
(74) *Attorney, Agent, or Firm*—Cook, Alex, McFarron, Manzo, Cummings & Mehler, Ltd.

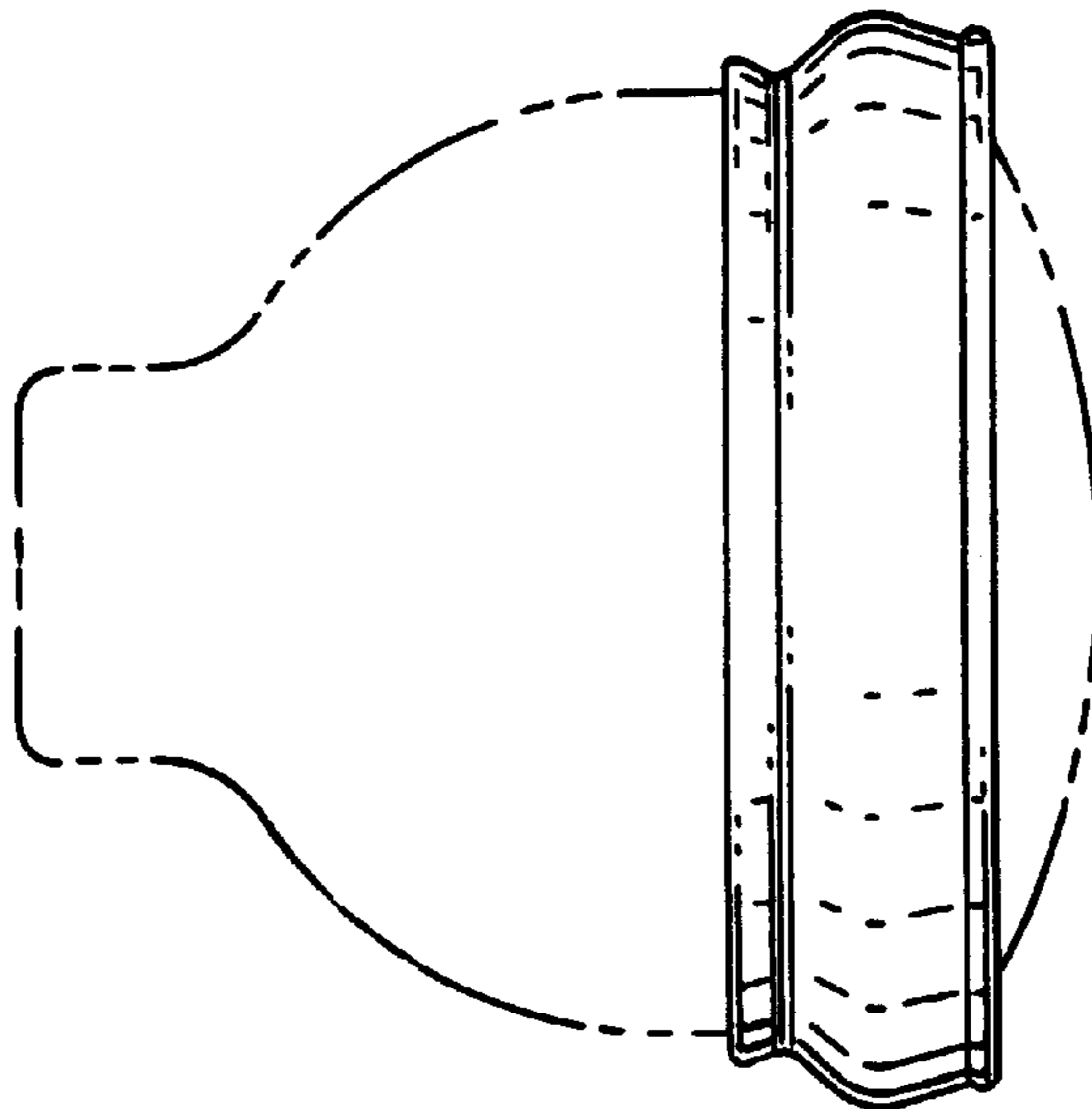
(57) **CLAIM**

The ornamental design for a shower head dial ring, as shown and described.

**DESCRIPTION**

FIG. 1 is a perspective view of a shower head dial ring showing my new design, portions shown in broken lines forming no part of the invention; FIG. 2 is a left side view thereof, the right side, top and bottom views being a mirror image of the left side; FIG. 3 is a front view thereof; and, FIG. 4 is a rear view thereof.

**1 Claim, 1 Drawing Sheet**



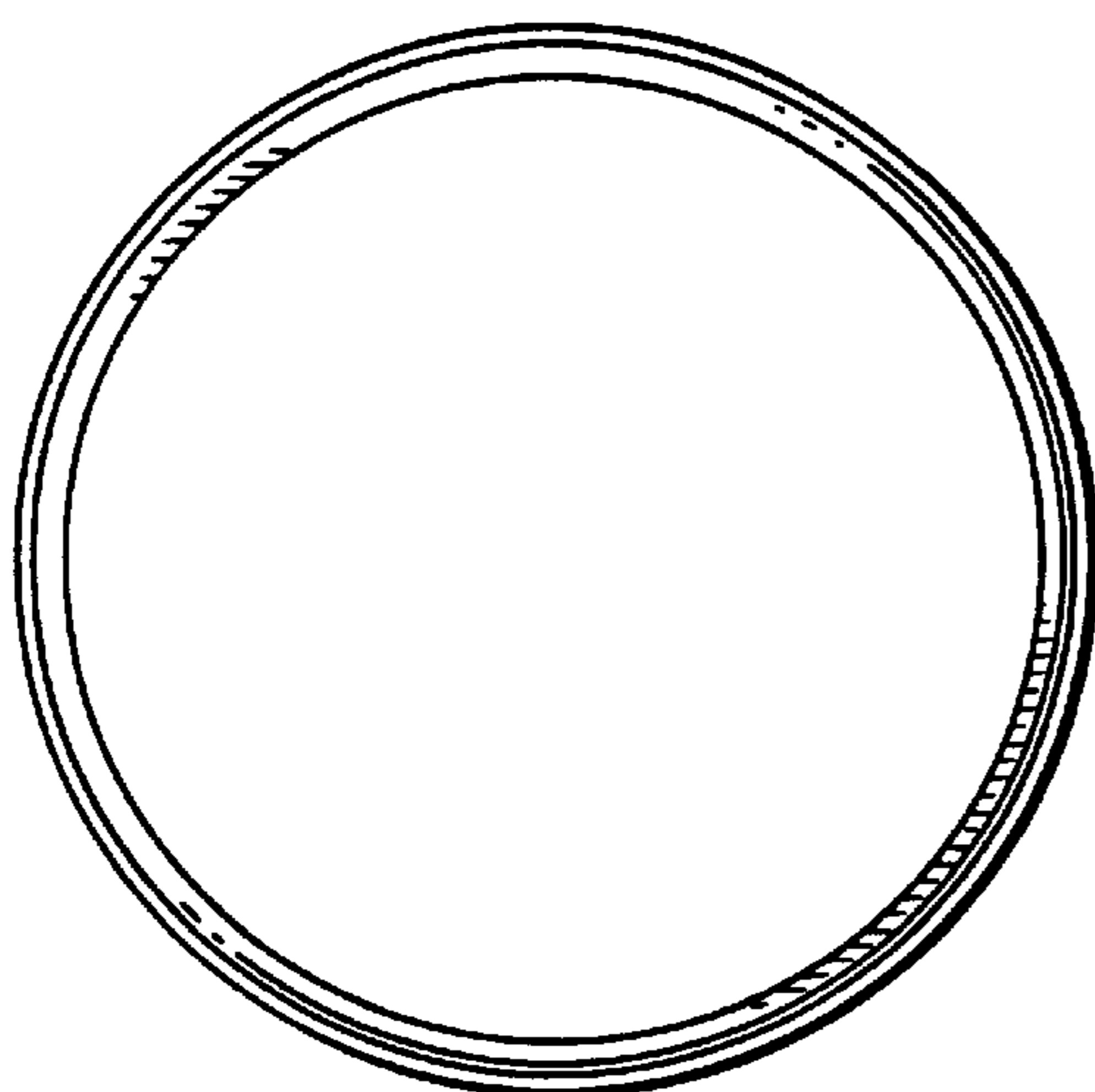
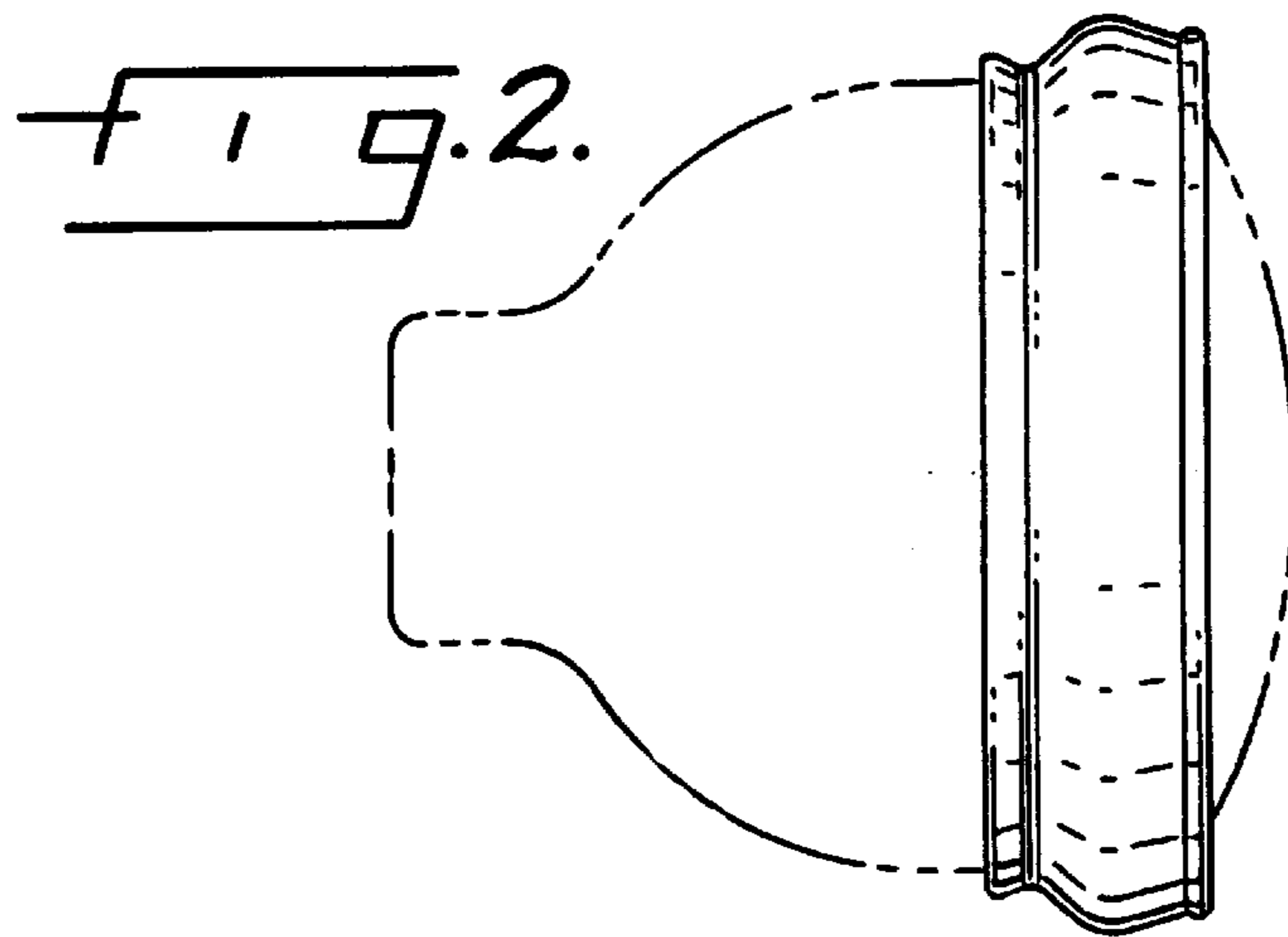
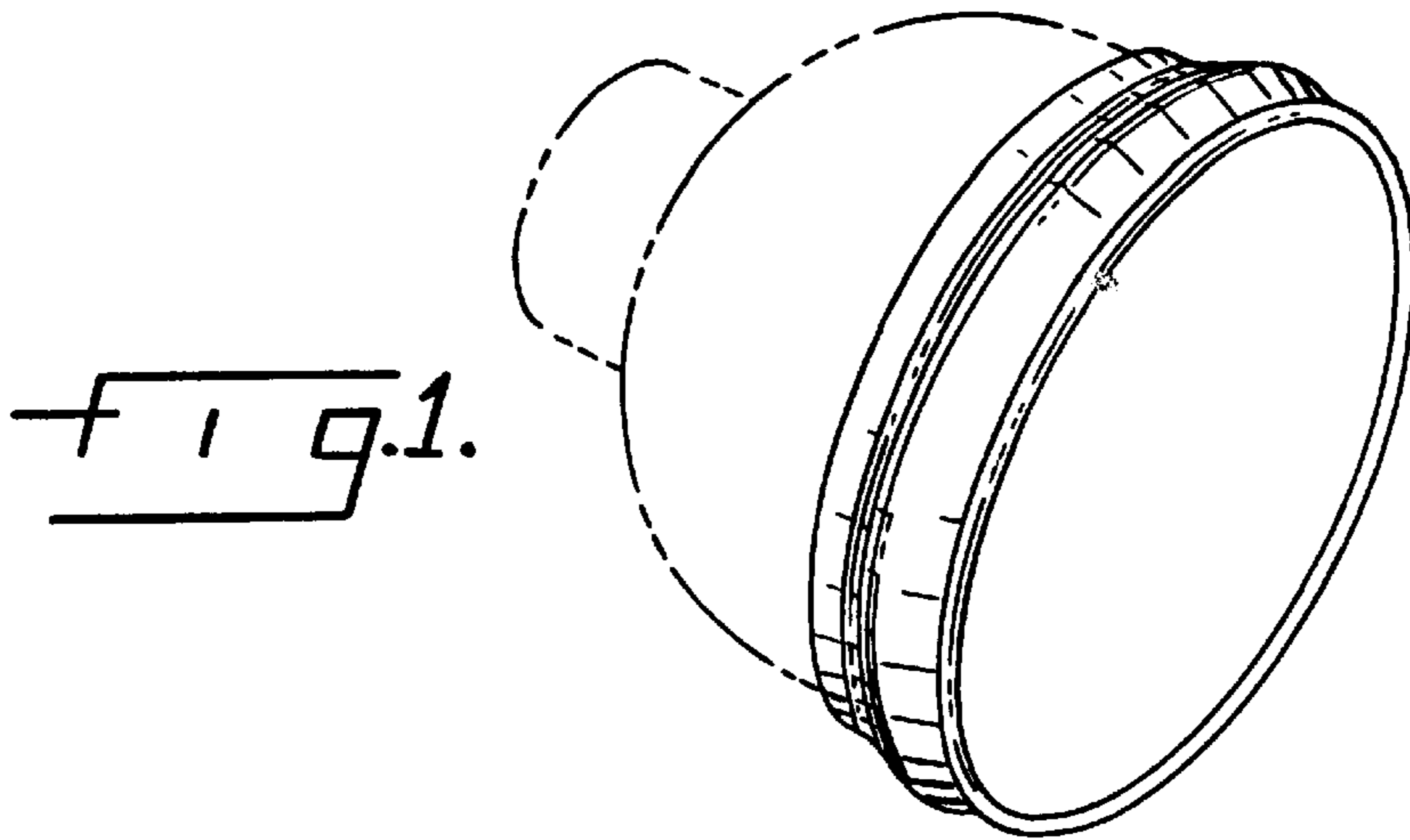


FIG. 3.

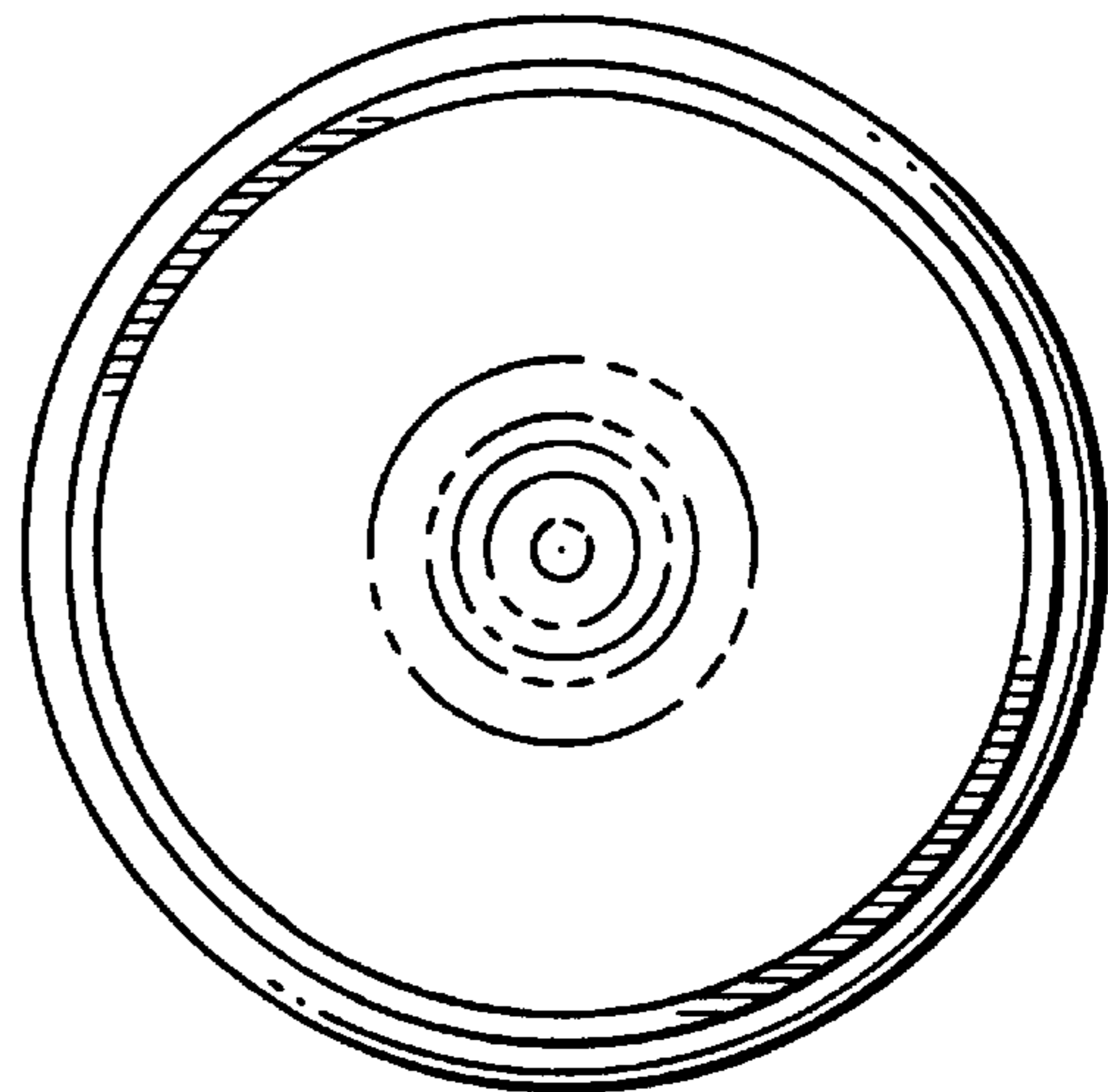


FIG. 4.