



US00D439307S

(12) **United States Design Patent**  
**Milrud**

(10) **Patent No.:** **US D439,307 S**

(45) **Date of Patent:** **\*\* Mar. 20, 2001**

(54) **HAND HELD SHOWER HEAD**

(75) **Inventor:** **Eduardo Milrud**, Chagrin Falls, OH (US)

(73) **Assignee:** **Moen Incorporated**, North Olmsted, OH (US)

(\*\*) **Term:** **14 Years**

(21) **Appl. No.:** **29/123,238**

(22) **Filed:** **May 15, 2000**

(51) **LOC (7) Cl.** ..... **23-01**

(52) **U.S. Cl.** ..... **D23/223**

(58) **Field of Search** ..... D23/213, 223, D23/226, 229-230; 239/394, 460-2

D. 374,477	10/1996	Dow et al. .	
D. 375,541	11/1996	Michaluk .	
D. 379,212	5/1997	Chan .	
D. 385,331	10/1997	Andrus .	
D. 385,332	10/1997	Andrus .	
D. 385,333	10/1997	Caroen et al. .	
D. 387,413	12/1997	Andrus .	
D. 389,558	1/1998	Andrus .	
D. 392,369	3/1998	Chan .	
D. 398,953	9/1998	Andrus et al. .	
D. 400,966	11/1998	Ratzlaff .	
D. 401,669	11/1998	Ratzlaff .	
D. 403,408	12/1998	Andrus et al. .	
D. 405,502	2/1999	Tse .	
D. 410,275	5/1999	Lipshitz .	
D. 410,276	5/1999	Ben-Tsur .	
D. 424,163	* 5/2000	Haug et al. ....	D23/223
D. 430,264	* 8/2000	Milrud .....	D23/223
D. 430,643	* 9/2000	Tse .....	D23/223

(56) **References Cited**

**U.S. PATENT DOCUMENTS**

D. 241,546	9/1976	Rizzuto .
D. 327,115	6/1992	Rogers .
D. 327,729	7/1992	Rogers .
D. 328,634	8/1992	Ward .
D. 332,303	1/1993	Klose .
D. 334,048	3/1993	Ben-Zur .
D. 339,627	9/1993	Klose .
D. 347,260	5/1994	Ben-Zur .
D. 348,720	7/1994	Haug et al. .
D. 351,453	10/1994	Huen .
D. 352,092	11/1994	Warshawsky .
D. 352,766	11/1994	Hill et al. .
D. 355,242	2/1995	Warshawsky .
D. 361,623	8/1995	Huen .
D. 367,315	2/1996	Andrus .
D. 368,761	4/1996	Andrus .
D. 369,203	4/1996	Andrus .
D. 369,204	4/1996	Andrus .
D. 369,205	4/1996	Andrus .
D. 370,052	5/1996	Chan et al. .
D. 374,271	10/1996	Fleischmann .

\* cited by examiner

*Primary Examiner*—Robin V. Taylor

(74) *Attorney, Agent, or Firm*—Cook, Alex, McFarron, Manzo, Cummings & Mehler, Ltd.

(57) **CLAIM**

The ornamental design for a hand held shower head, as shown and described.

**DESCRIPTION**

FIG. 1 is a perspective view of a hand held shower head showing my new design, portions shown in broken lines forming no part of the invention; FIG. 2 is a right side view thereof, the left side being a mirror image of the right side; FIG. 3 is a top view thereof; FIG. 4 is a bottom view thereof; FIG. 5 is a front view thereof; and, FIG. 6 is a rear view thereof.

**1 Claim, 2 Drawing Sheets**

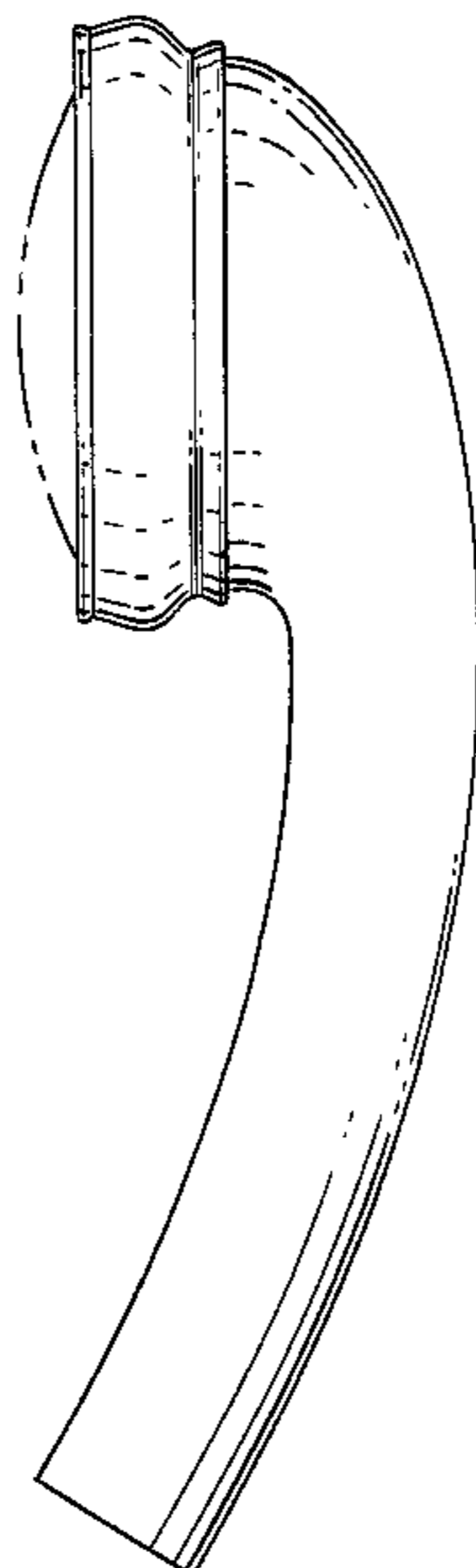


Fig. 1.

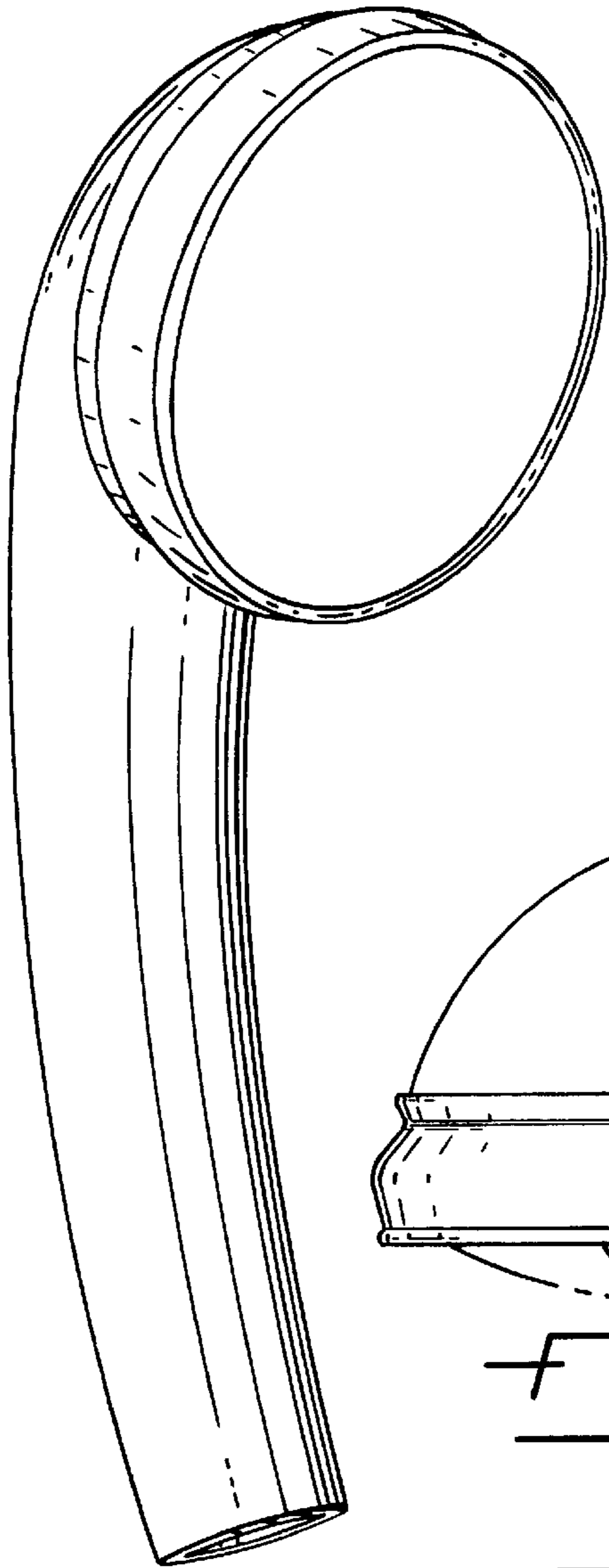


Fig. 2.

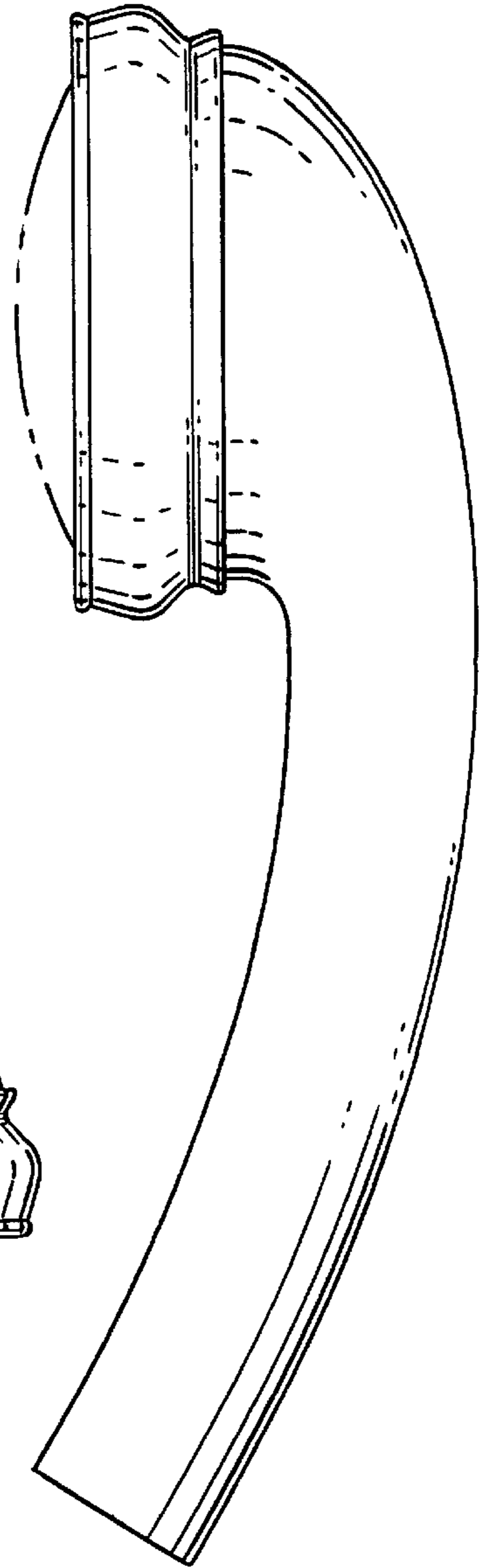


Fig. 3.

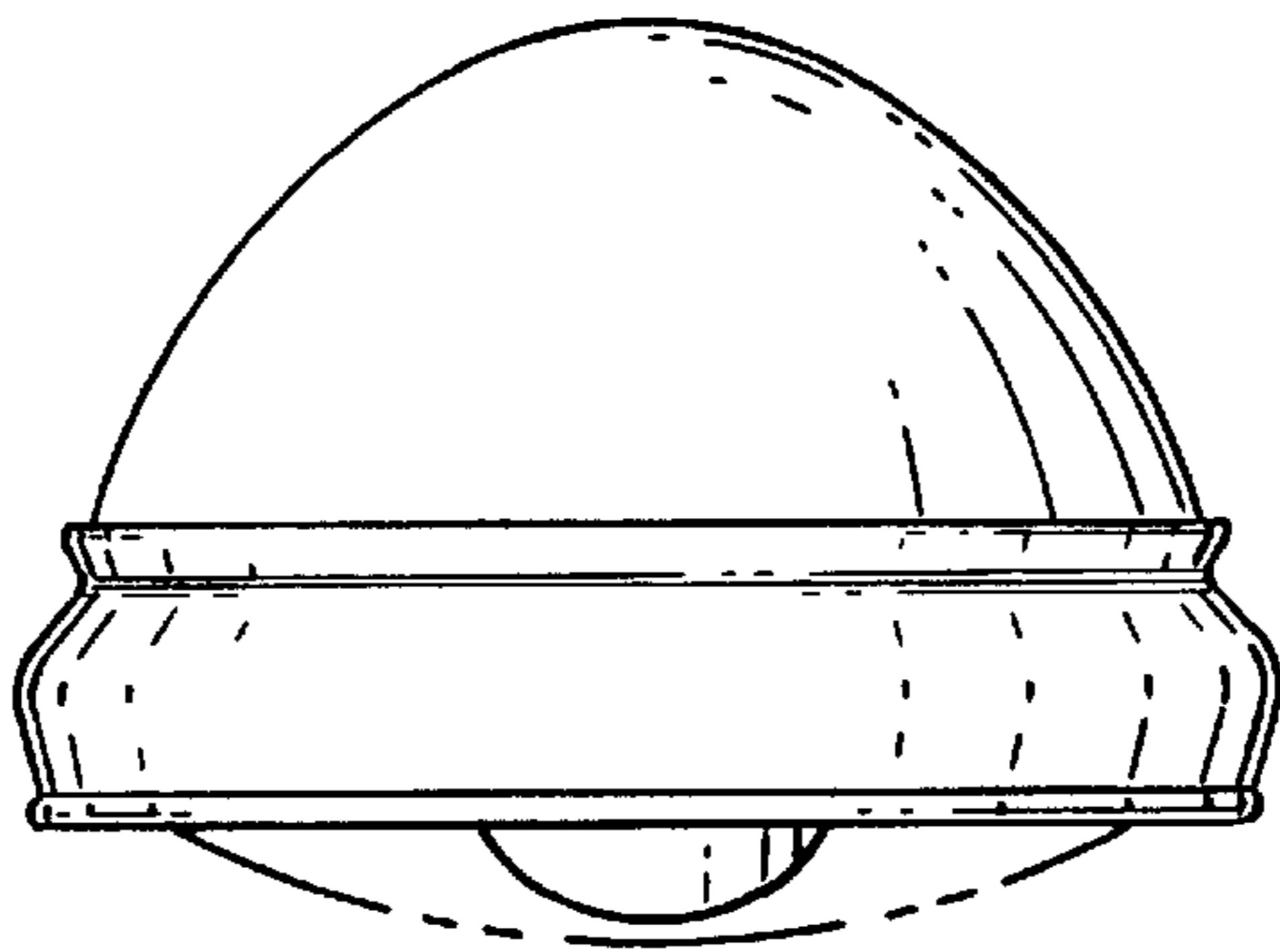


Fig. 4.

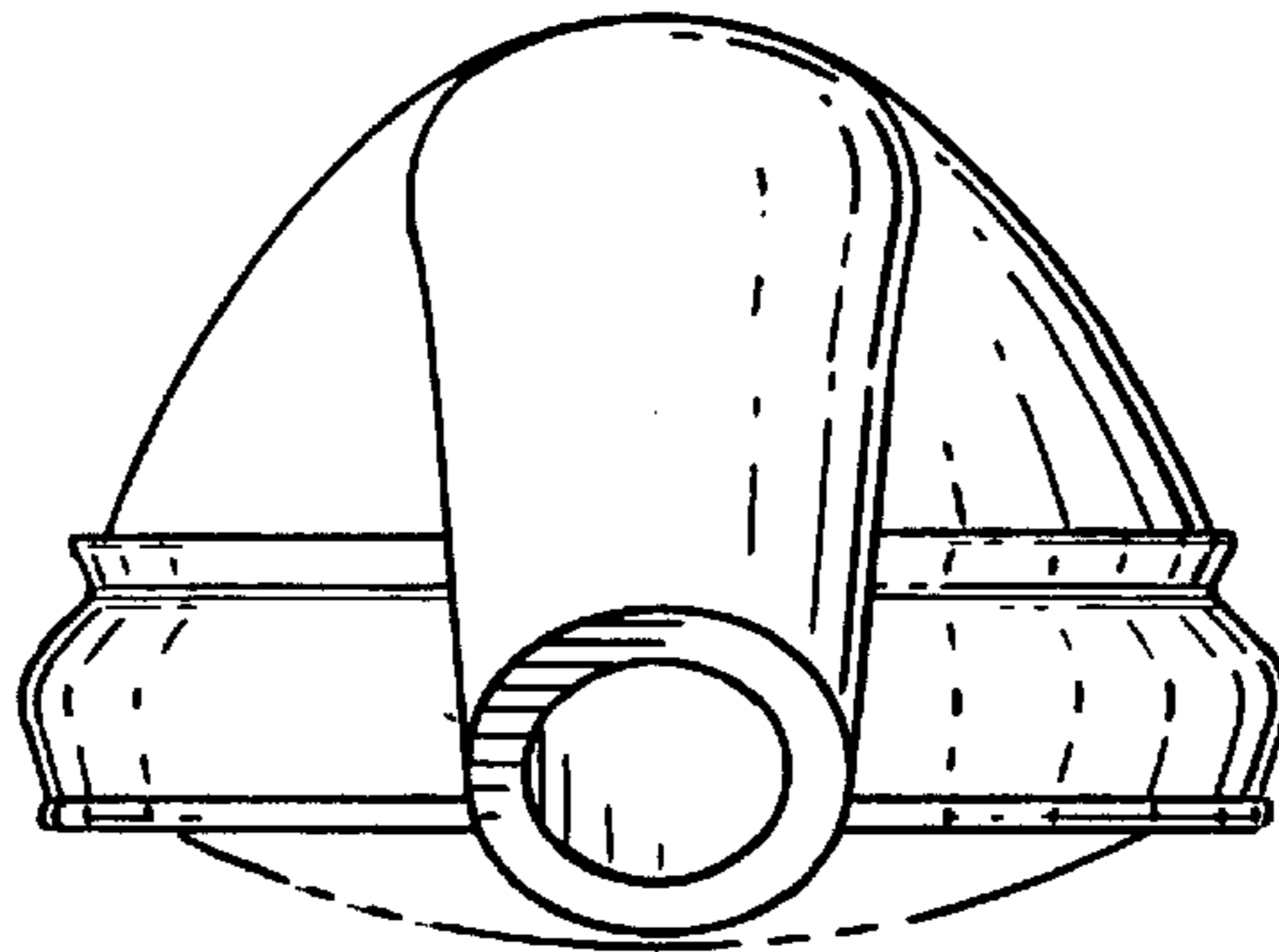


Fig. 5.

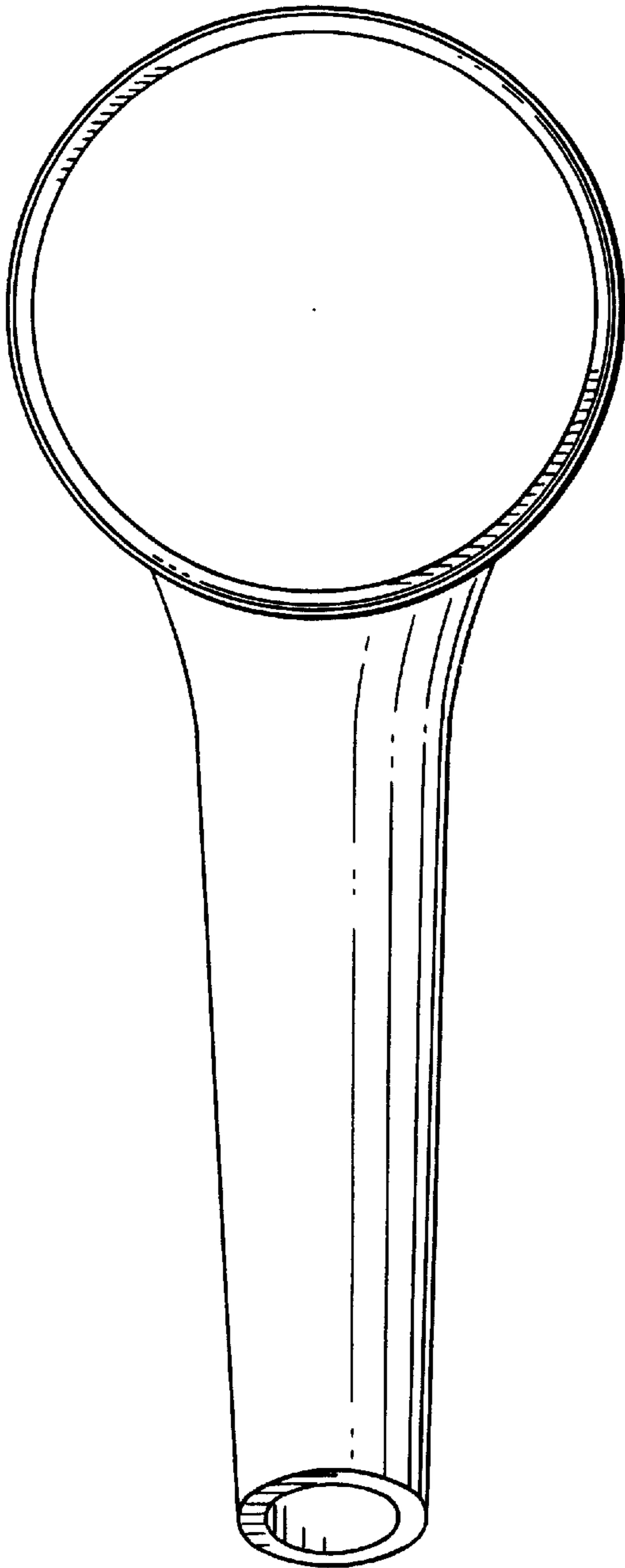


Fig. 6.

