



US00D439298S

(12) **United States Design Patent**
Verbick

(10) **Patent No.:** **US D439,298 S**

(45) **Date of Patent:** **** Mar. 20, 2001**

(54) **PRACTICE DEVICE FOR BOWLING**

(76) Inventor: **Basil G. Verbick**, 11664 Swift Ct.,
Naples, FL (US) 34119

(**) Term: **14 Years**

(21) Appl. No.: **29/118,659**

(22) Filed: **Feb. 11, 2000**

Related U.S. Application Data

(63) Continuation of application No. 08/513,320, filed on Aug. 10, 1995, now abandoned, which is a continuation of application No. 08/075,825, filed on Jun. 11, 1993, now Pat. No. 5,441,255.

(51) **LOC (7) Cl.** **21-02**

(52) **U.S. Cl.** **D21/785**

(58) **Field of Search** D21/785, 786;
473/54-63, 64, 73, 94, 106, 108, 127, 259,
203, 204, 226, 242; 482/92, 101, 108, 99;
273/26 R

(56) **References Cited**

U.S. PATENT DOCUMENTS

D. 128,954 * 8/1941 Cloutier D21/785

1,634,102	*	6/1927	Hansen	473/229
2,520,287	*	8/1950	Plunkett et al.	473/259
3,000,633	*	9/1961	Bonovich	473/63
4,257,597	*	3/1981	Pennybaker	473/63
4,640,268	*	2/1987	Roberts	482/139
5,151,070	*	9/1992	Norman	473/229 X
5,599,236	*	2/1997	File	473/55

* cited by examiner

Primary Examiner—Prabhakar Deshmukh
(74) *Attorney, Agent, or Firm*—Thomas, Kayden,
Horstemeyer & Risley; James W. Kayden

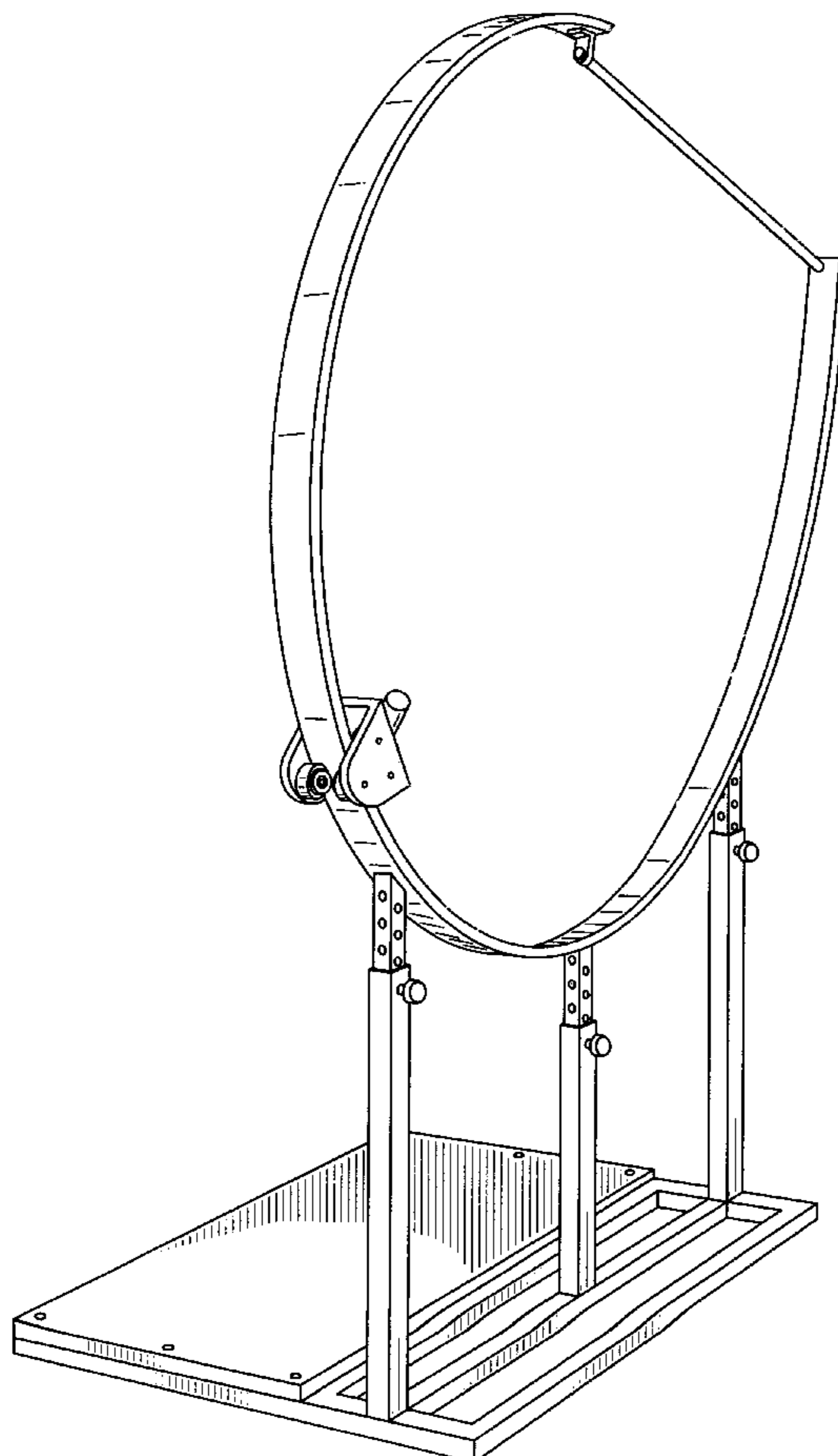
(57) **CLAIM**

The ornamental design of a practice device for bowling, as shown and described.

DESCRIPTION

FIG. 1 is a perspective view showing my new practice device for bowling;
FIG. 2 is a front elevational view thereof;
FIG. 3 is a right side elevational view thereof;
FIG. 4 is a left side elevational view thereof;
FIG. 5 is a rear elevational view thereof; and,
FIG. 6 is a top plan view thereof.

1 Claim, 6 Drawing Sheets



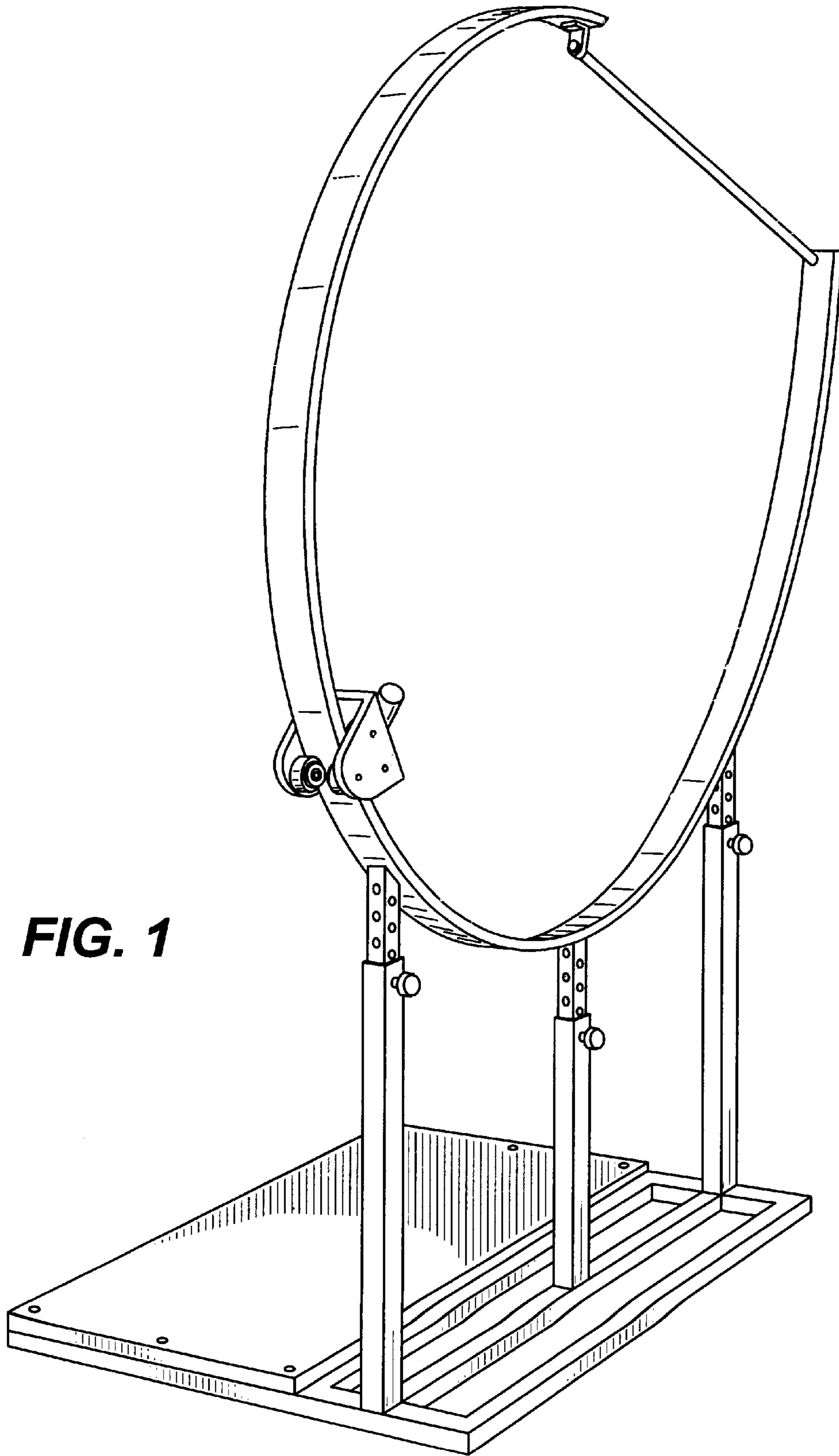


FIG. 1

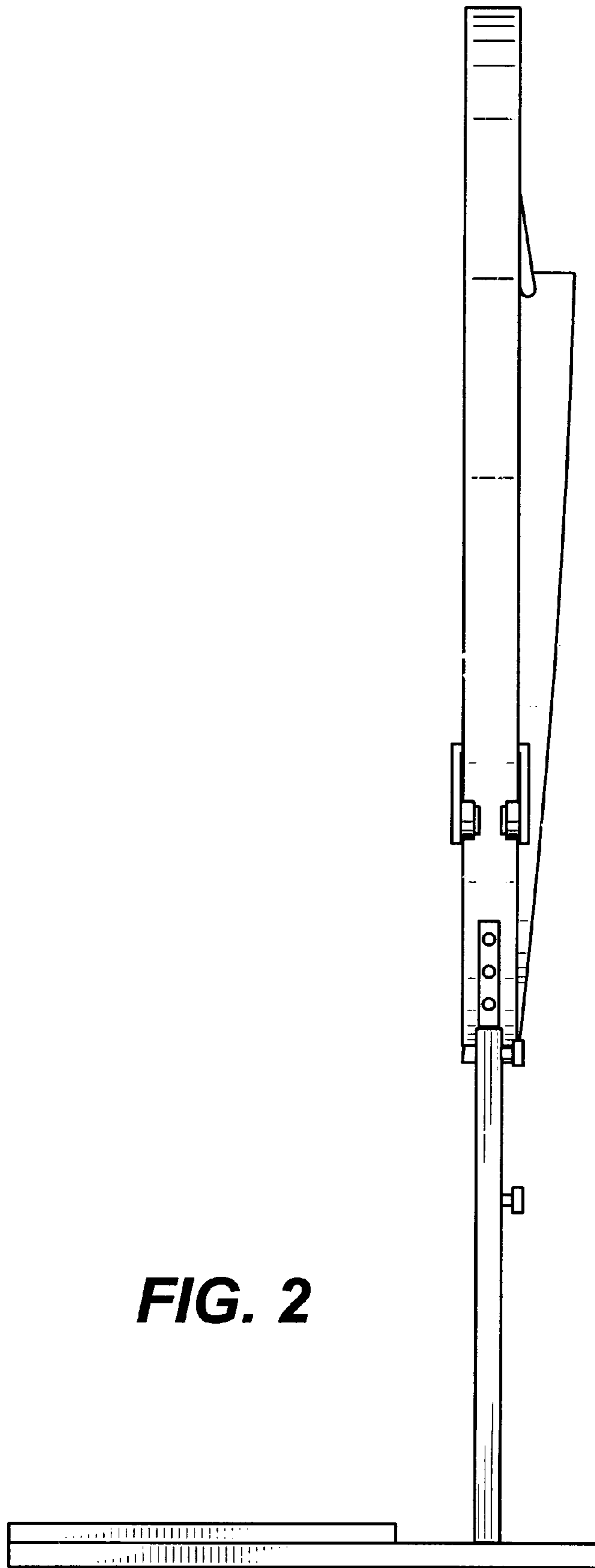


FIG. 2

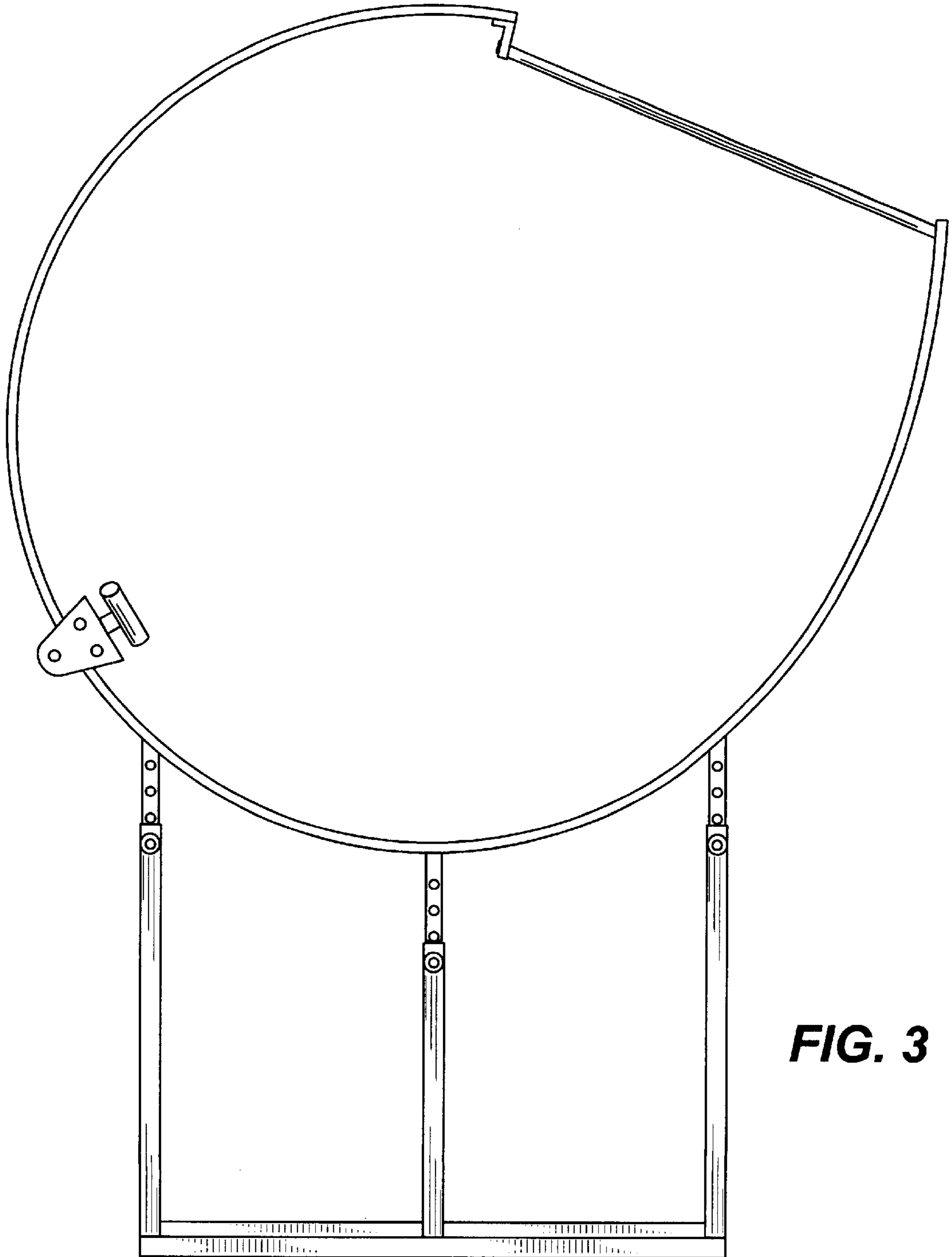


FIG. 3

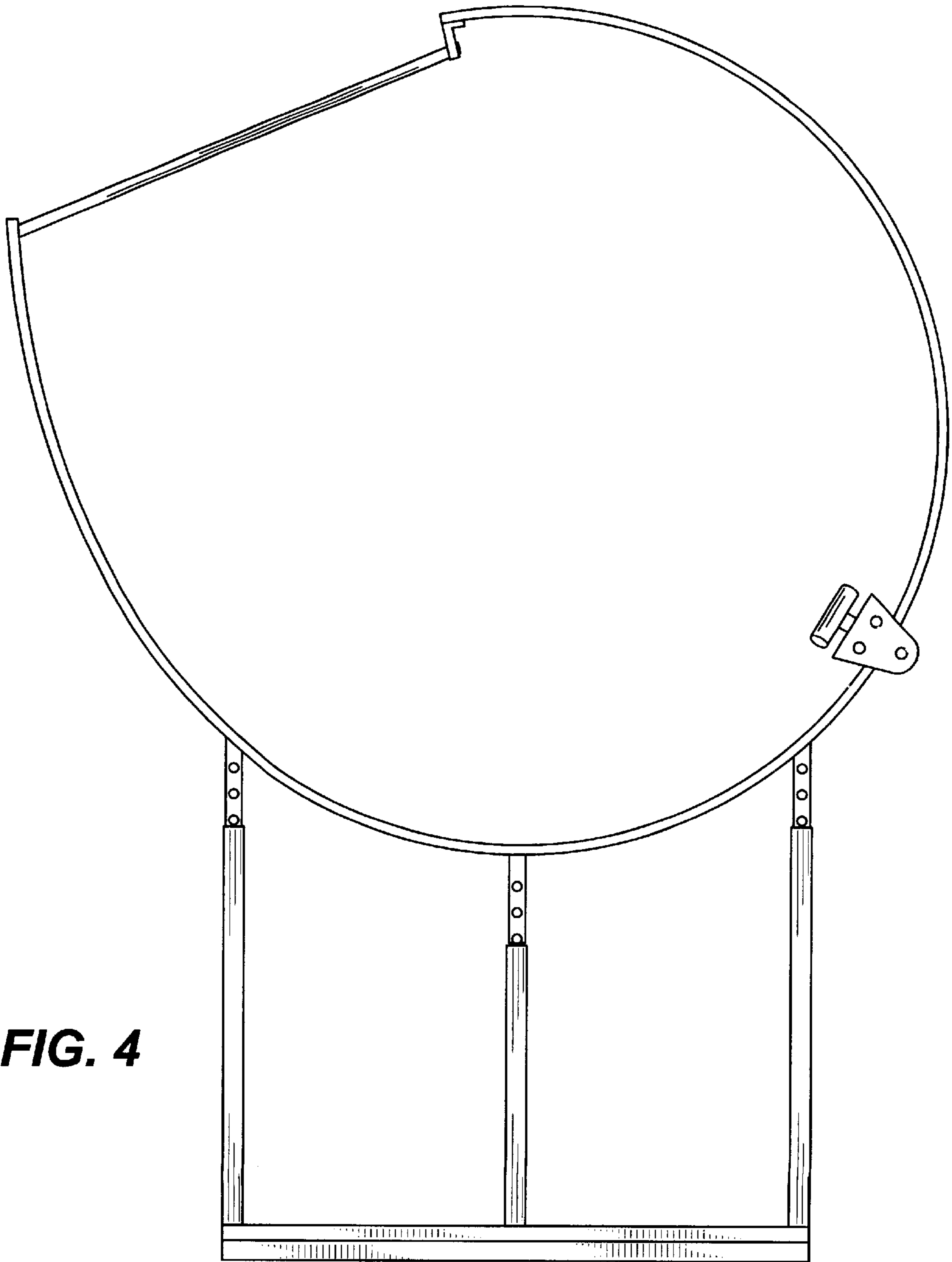


FIG. 4

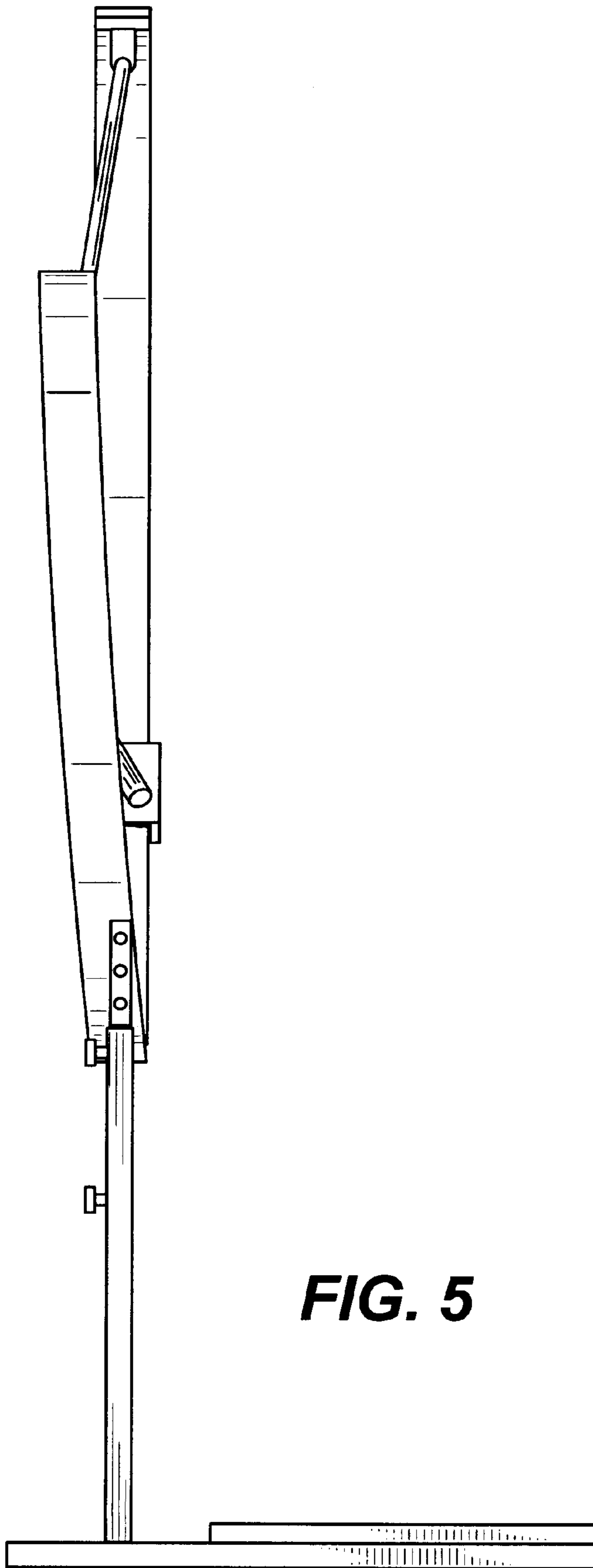


FIG. 5

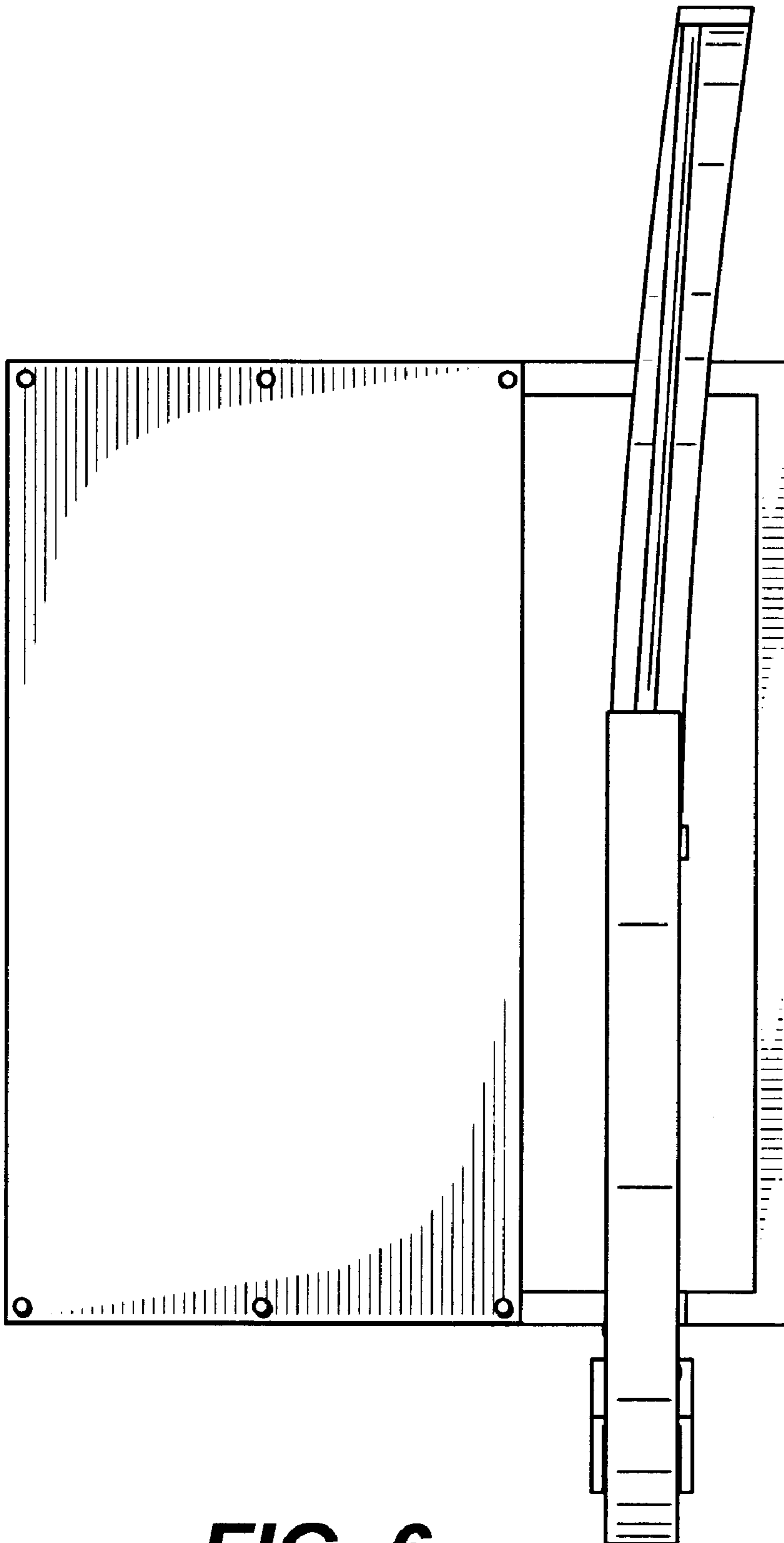


FIG. 6