



US00D439292S

(12) **United States Design Patent**
Webber et al.

(10) **Patent No.:** **US D439,292 S**

(45) **Date of Patent:** **** Mar. 20, 2001**

(54) **ADJUSTMENT LEVER FOR EXERCISE MACHINE**

4,898,413 * 2/1990 Bertolini 292/336.3
5,441,470 * 8/1995 Chen 482/96
5,600,976 * 2/1997 Hapke et al. 68/12.26

(75) Inventors: **Randall T. Webber; Bruce Hockridge,**
both of San Diego, CA (US)

* cited by examiner

(73) Assignee: **Hoist Fitness Systems, San Diego, CA**
(US)

Primary Examiner—Philip S. Hyder

(74) *Attorney, Agent, or Firm*—Brown, Martin, Haller &
McClain, LLP

(**) Term: **14 Years**

(57) **CLAIM**

(21) Appl. No.: **29/124,845**

The ornamental design for an adjustment lever for exercise machine, as shown.

(22) Filed: **Jun. 13, 2000**

DESCRIPTION

(51) **LOC (7) Cl.** **21-02**

(52) **U.S. Cl.** **D21/694; D8/308**

(58) **Field of Search** D8/306, 308, 341,
D8/354; D21/694; 292/257, 19, 236; 482/97,
96, 133, 135, 137, 138

FIG. 1 is a perspective view of an adjustment lever for exercise machine showing our new design;

FIG. 2 is a left hand end view of the lever thereof;

FIG. 3 is a rear perspective view thereof;

FIG. 4 is a rear perspective view from the opposite end thereof; and,

FIG. 5 is a bottom plan view of an adjustment lever for exercise machine.

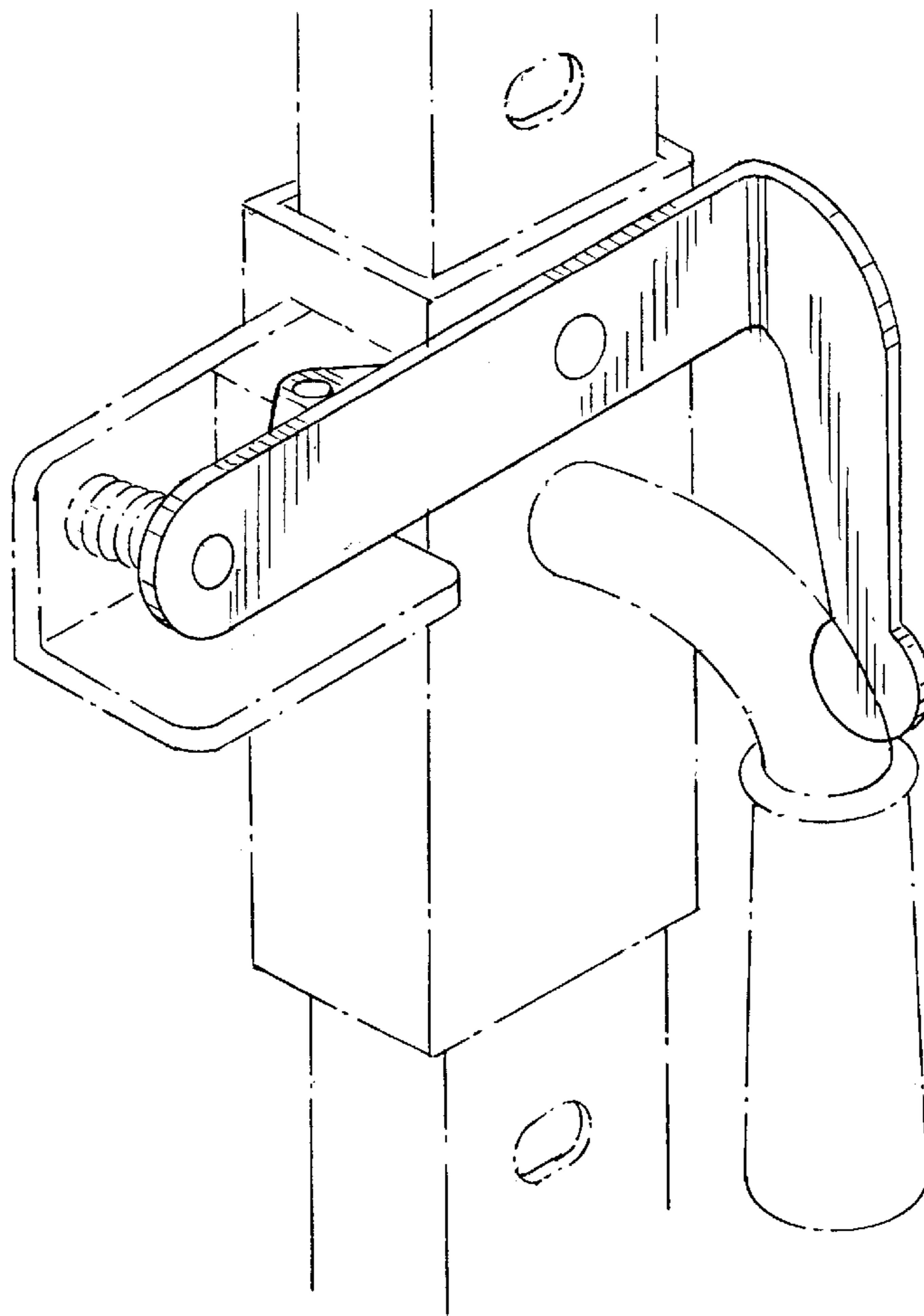
The broken line portions of the disclosure are for illustrative purposes only and form no part of the claimed design.

(56) **References Cited**

U.S. PATENT DOCUMENTS

- D. 191,349 * 9/1961 Spencer D21/308
- D. 218,279 * 8/1970 Chaumont D21/308
- D. 306,688 * 3/1990 Hyde D8/331

1 Claim, 1 Drawing Sheet



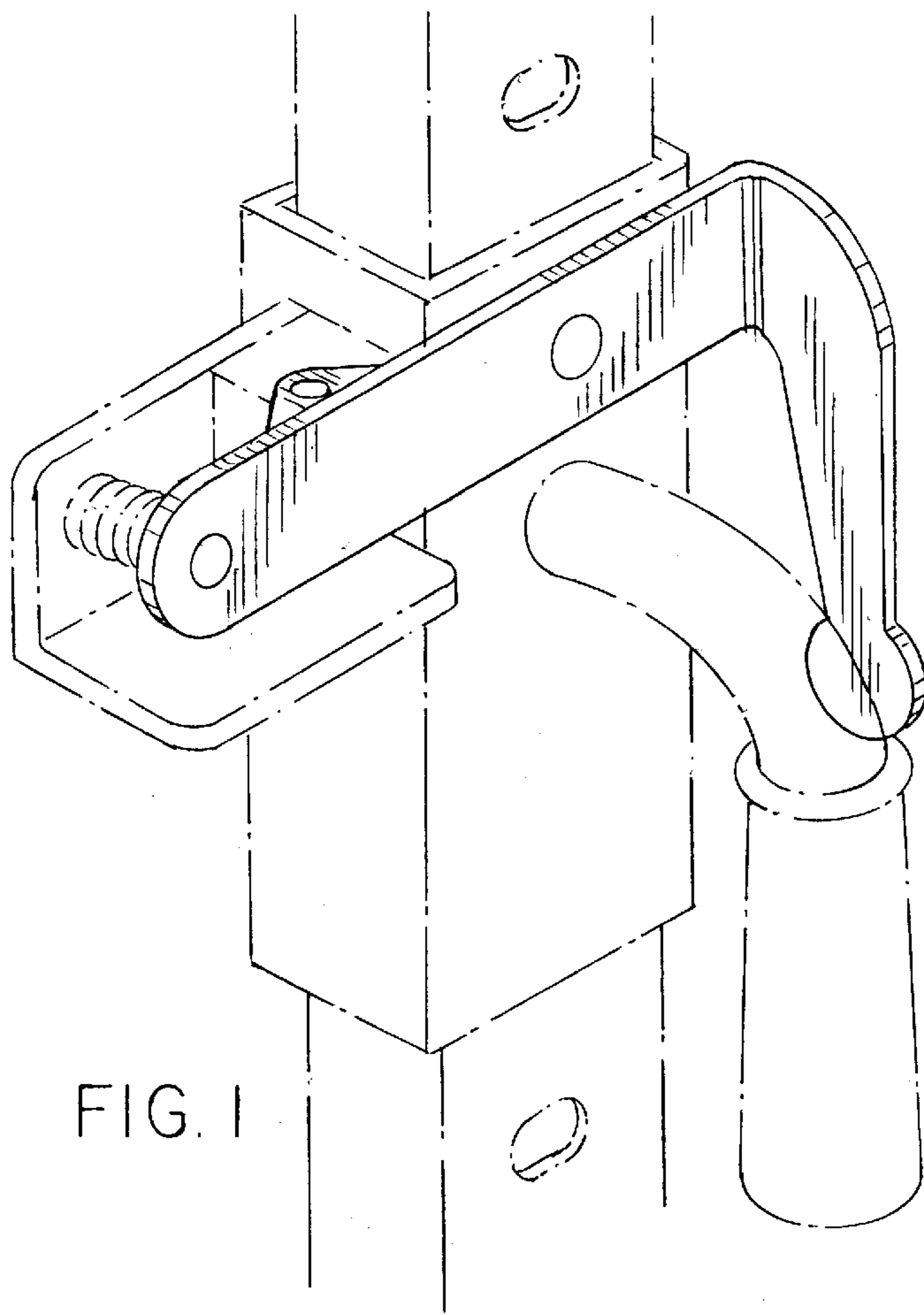


FIG. 1

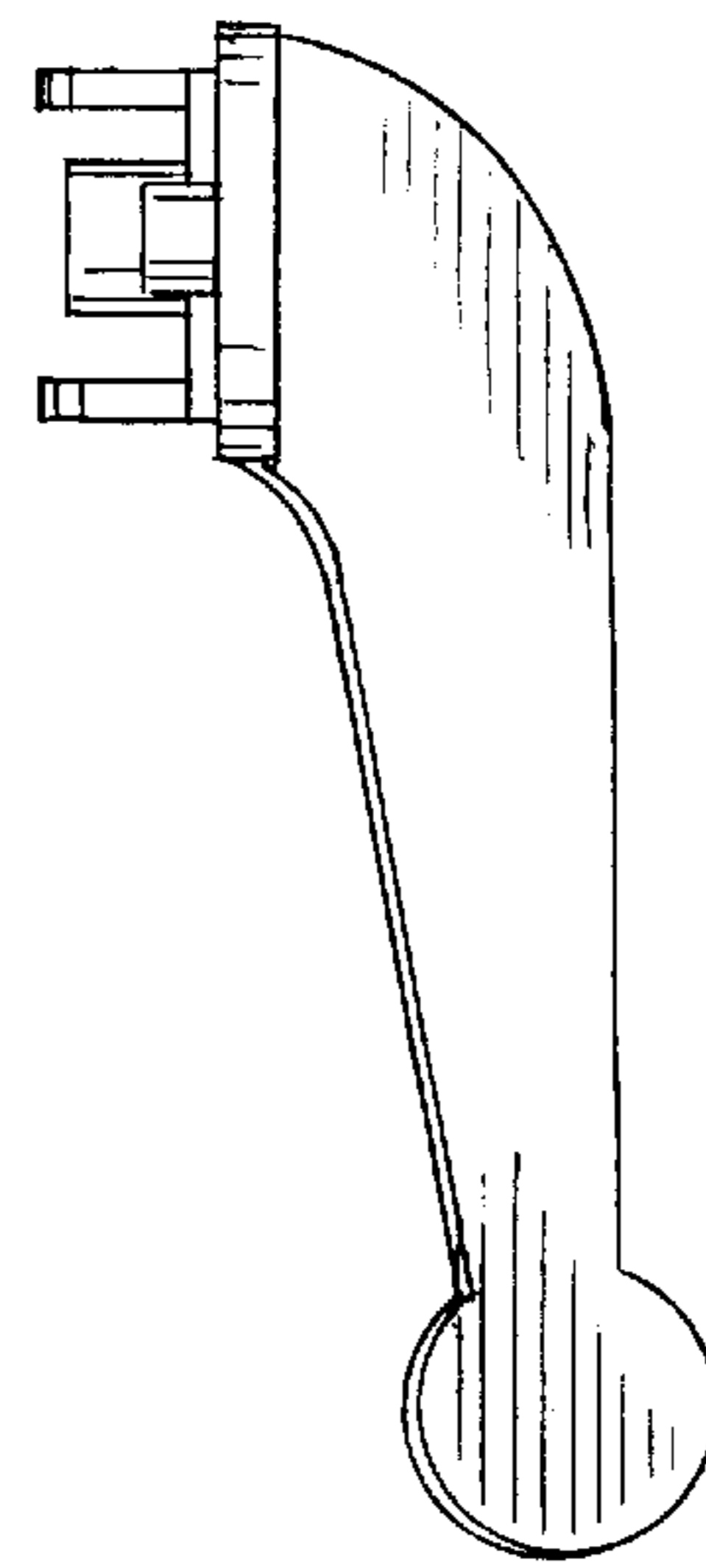


FIG. 2

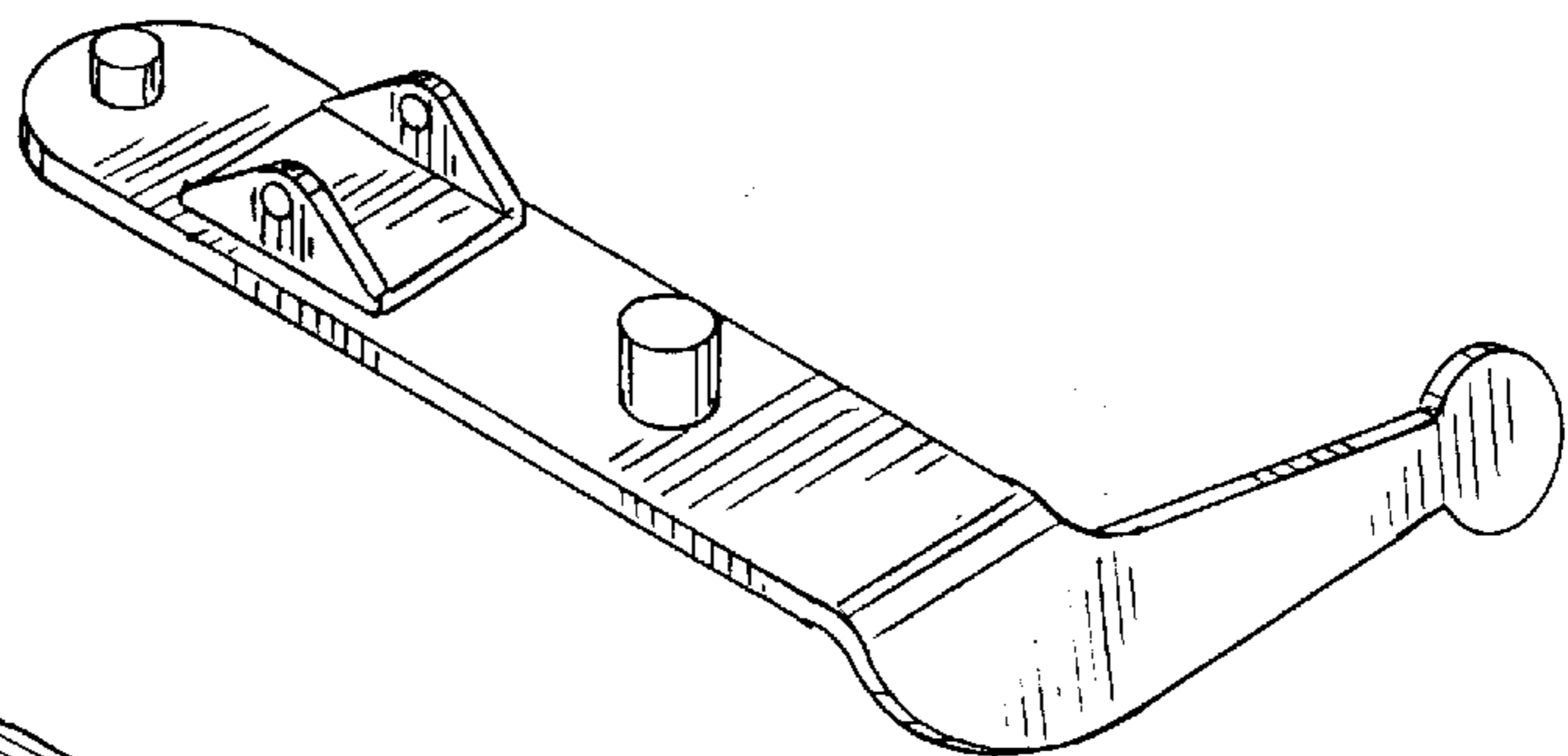


FIG. 3

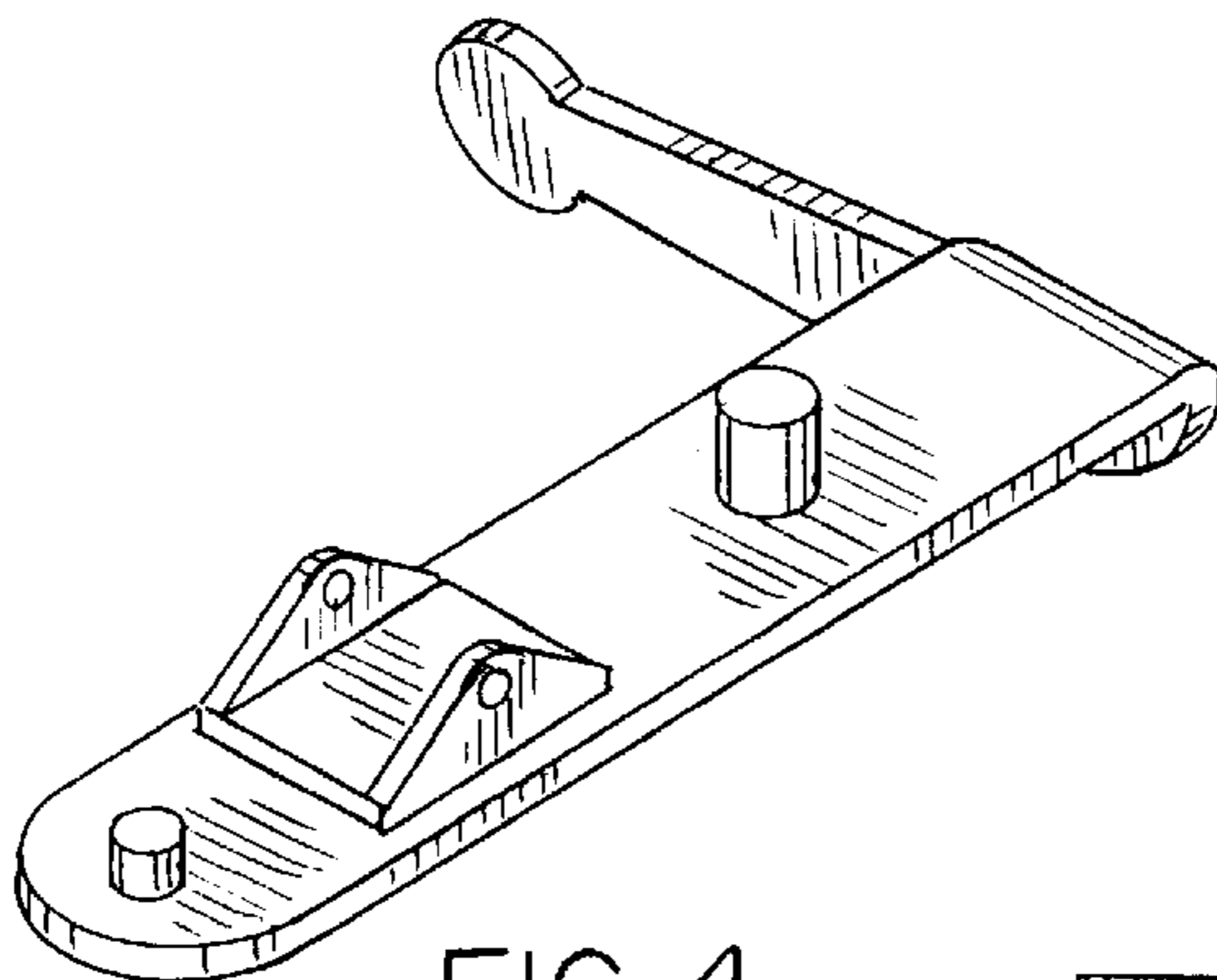


FIG. 4

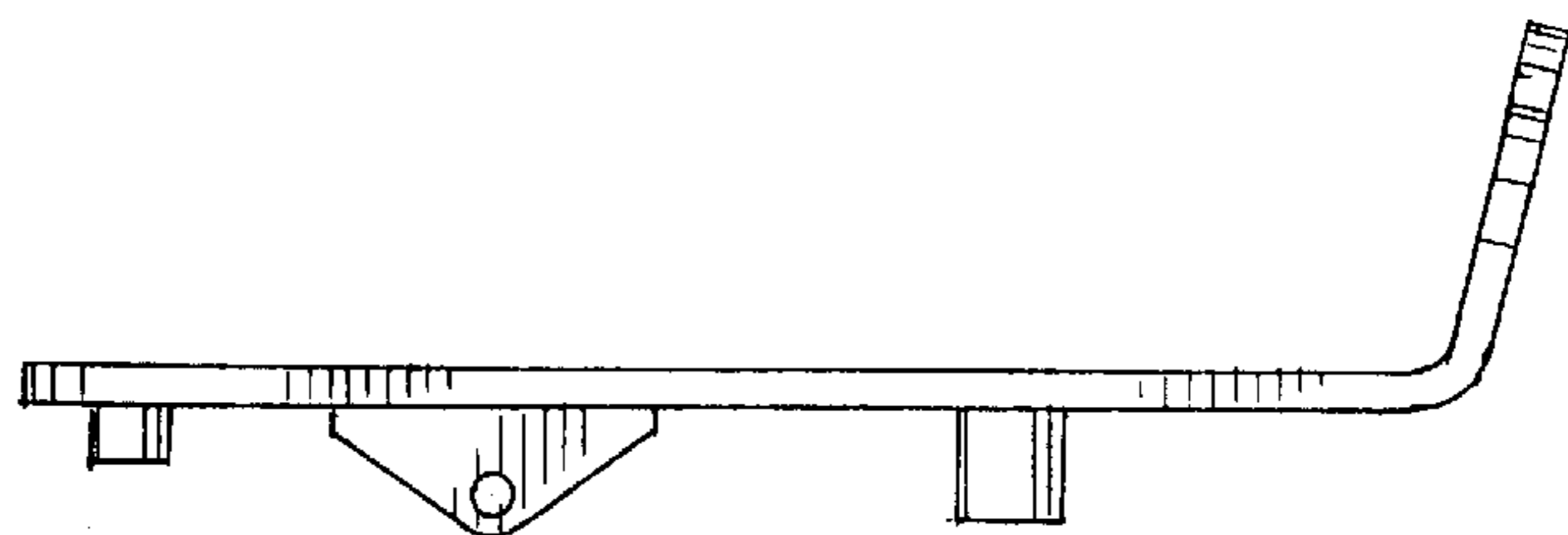


FIG. 5