



US00D439289S

(12) **United States Design Patent**
Moran et al.

(10) **Patent No.:** **US D439,289 S**

(45) **Date of Patent:** **** Mar. 20, 2001**

(54) **STATIONARY EXERCISE CYCLE**

(75) **Inventors:** **Thomas Moran; James Birrell**, both of Seattle, WA (US); **Jack B. Hough**, Chicago, IL (US)

(73) **Assignee:** **Precor Incorporated**, Bothell, WA (US)

(**) **Term:** **14 Years**

(21) **Appl. No.:** **29/095,121**

(22) **Filed:** **Oct. 15, 1998**

(51) **LOC (7) Cl.** **21-02**

(52) **U.S. Cl.** **D21/666**

(58) **Field of Search** D21/662, 663, D21/664, 665, 666, 667; 482/51, 57, 58, 59

(56) **References Cited**

U.S. PATENT DOCUMENTS

D. 299,371	1/1989	Tsuyama	D21/663
D. 299,670	1/1989	Lin et al.	D21/663
D. 300,046	2/1989	Armstrong et al.	D21/666
D. 340,758	* 10/1993	Huang	D21/666
D. 342,299	12/1993	Birrell et al.	D21/666
D. 347,039	5/1994	Littrell et al.	D21/666

D. 353,422	* 12/1994	Bostic et al.	D21/666
D. 362,699	* 9/1995	Heaton et al.	D21/666
D. 403,032	* 12/1998	Huang	D21/666
4,358,105	11/1982	Sweeney, Jr.	482/57
4,752,066	6/1988	Housayama	482/57
4,932,650	6/1990	Bingham et al.	482/57

* cited by examiner

Primary Examiner—Philip S. Hyder

(74) *Attorney, Agent, or Firm*—Christensen O'Connor Johnson Kindness PLLC

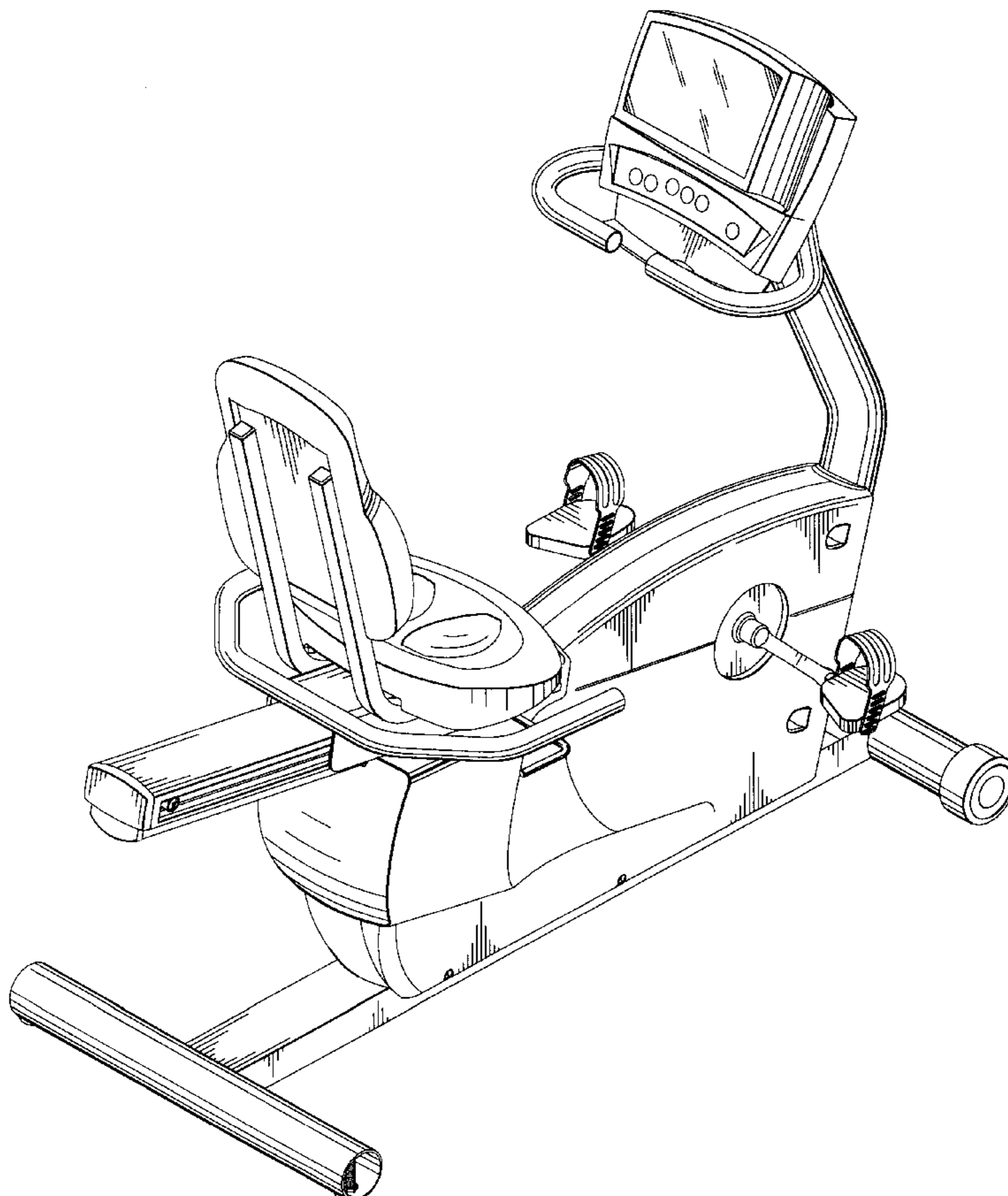
(57) **CLAIM**

The ornamental design for a stationary exercise cycle, as shown and described.

DESCRIPTION

FIG. 1 is a rear perspective view of the stationary exercise cycle showing the new design; FIG. 2 is a side elevational view thereof; FIG. 3 is a side elevational view thereof taken from the opposite side of FIG. 2; FIG. 4 is a front elevational view thereof; FIG. 5 is a rear elevational view thereof; FIG. 6 is a top view thereof; and, FIG. 7 is a bottom view thereof.

1 Claim, 6 Drawing Sheets



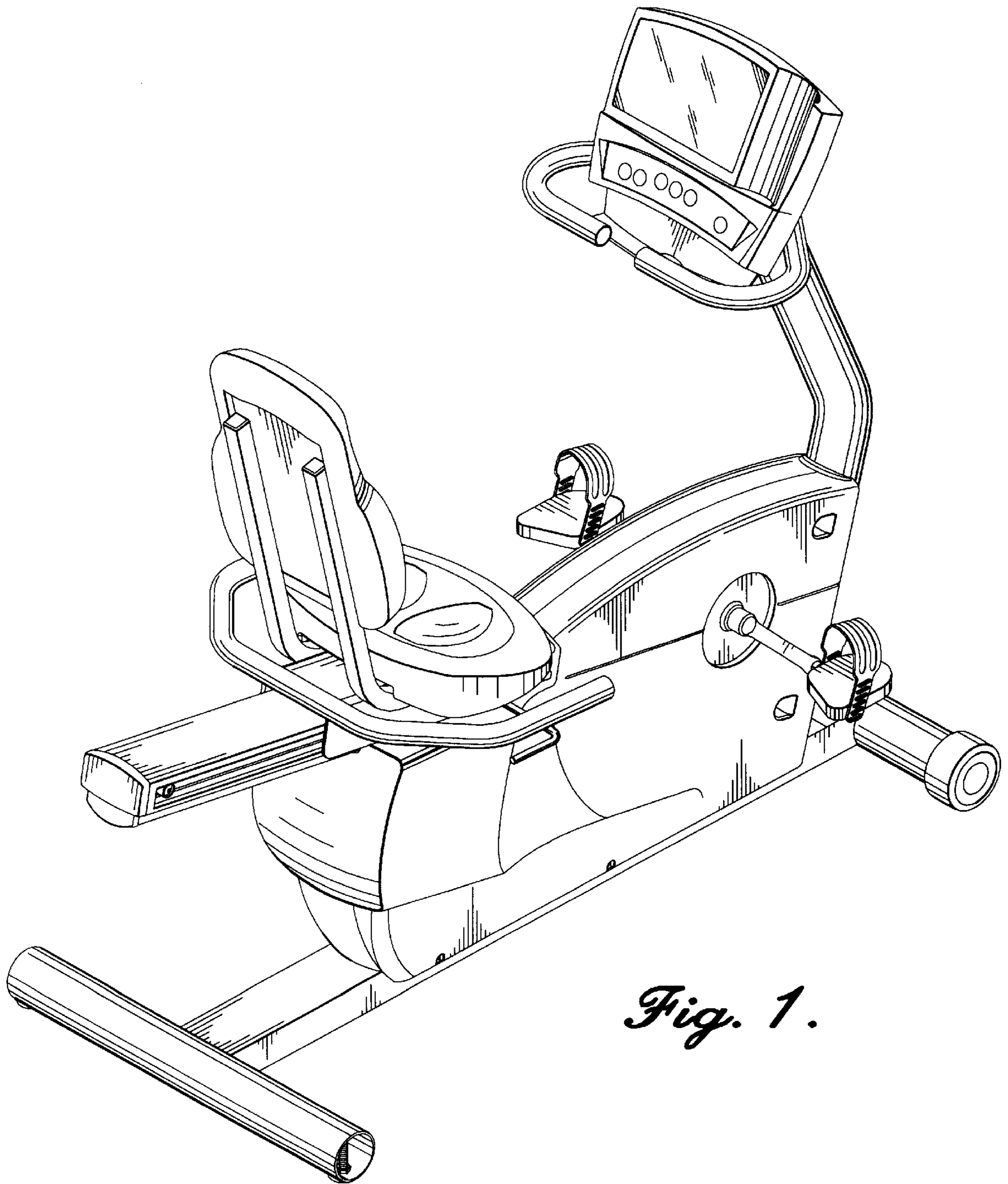
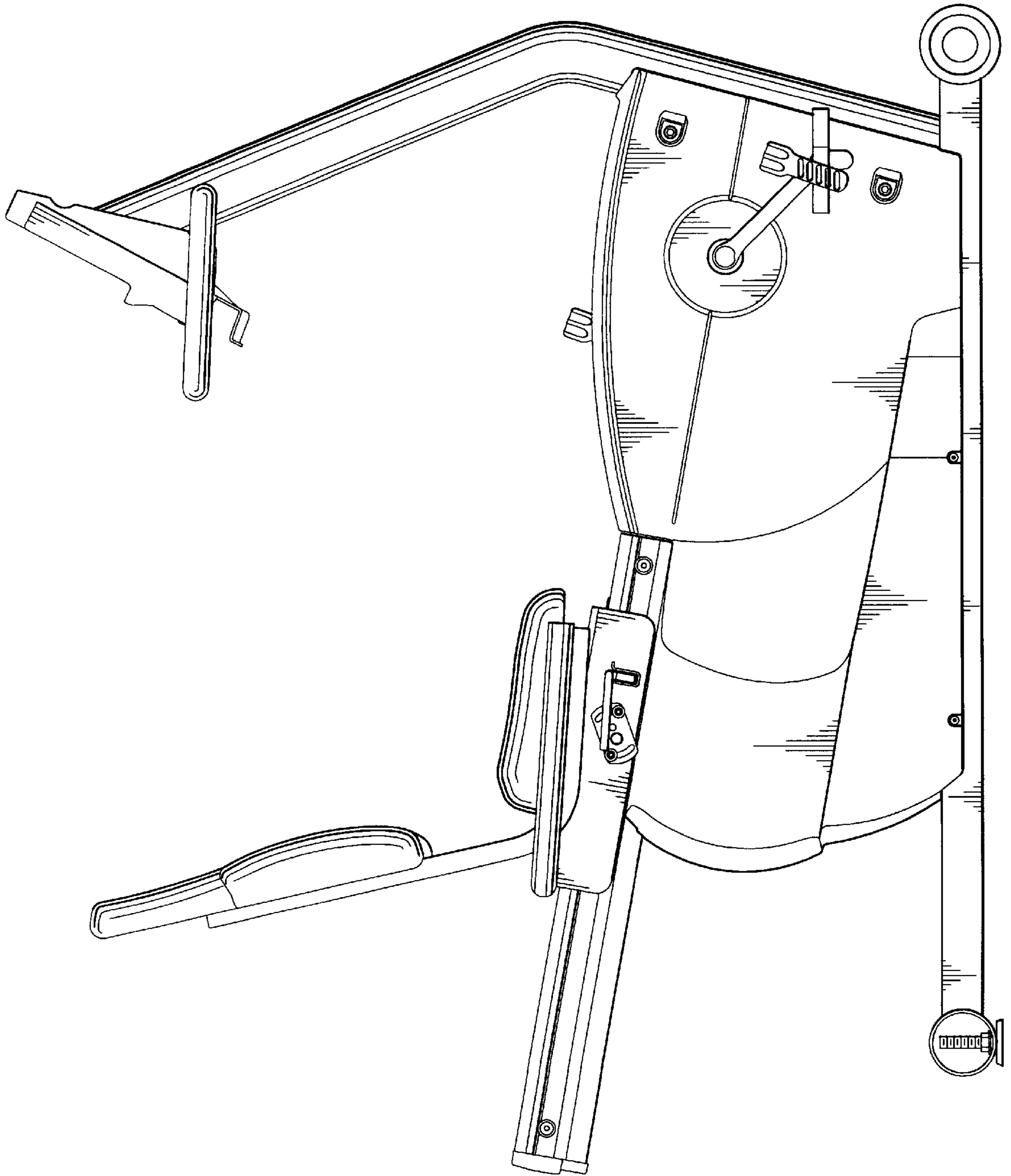


Fig. 1.

Fig. 2.



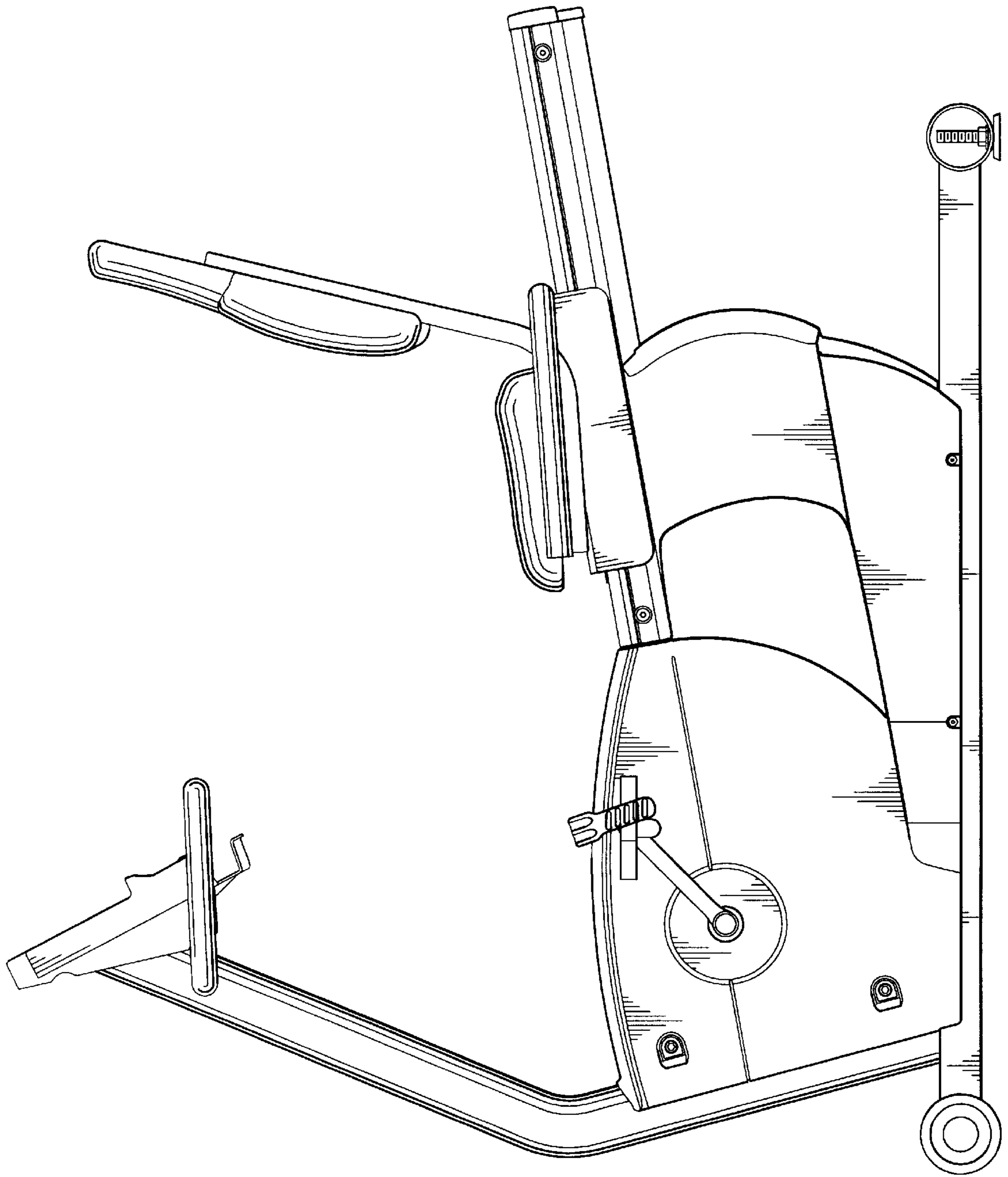


Fig. 3.

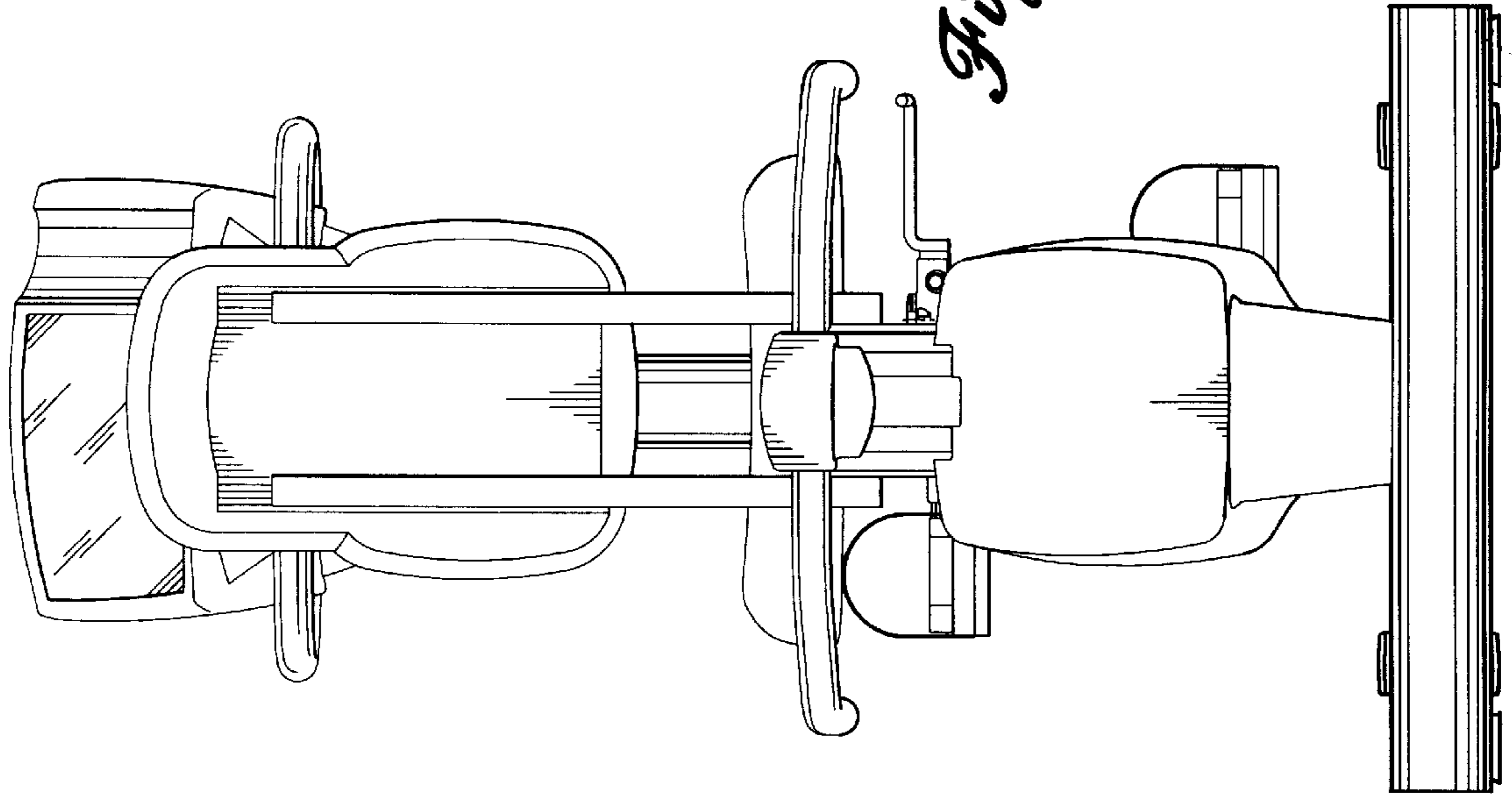


Fig. 5.

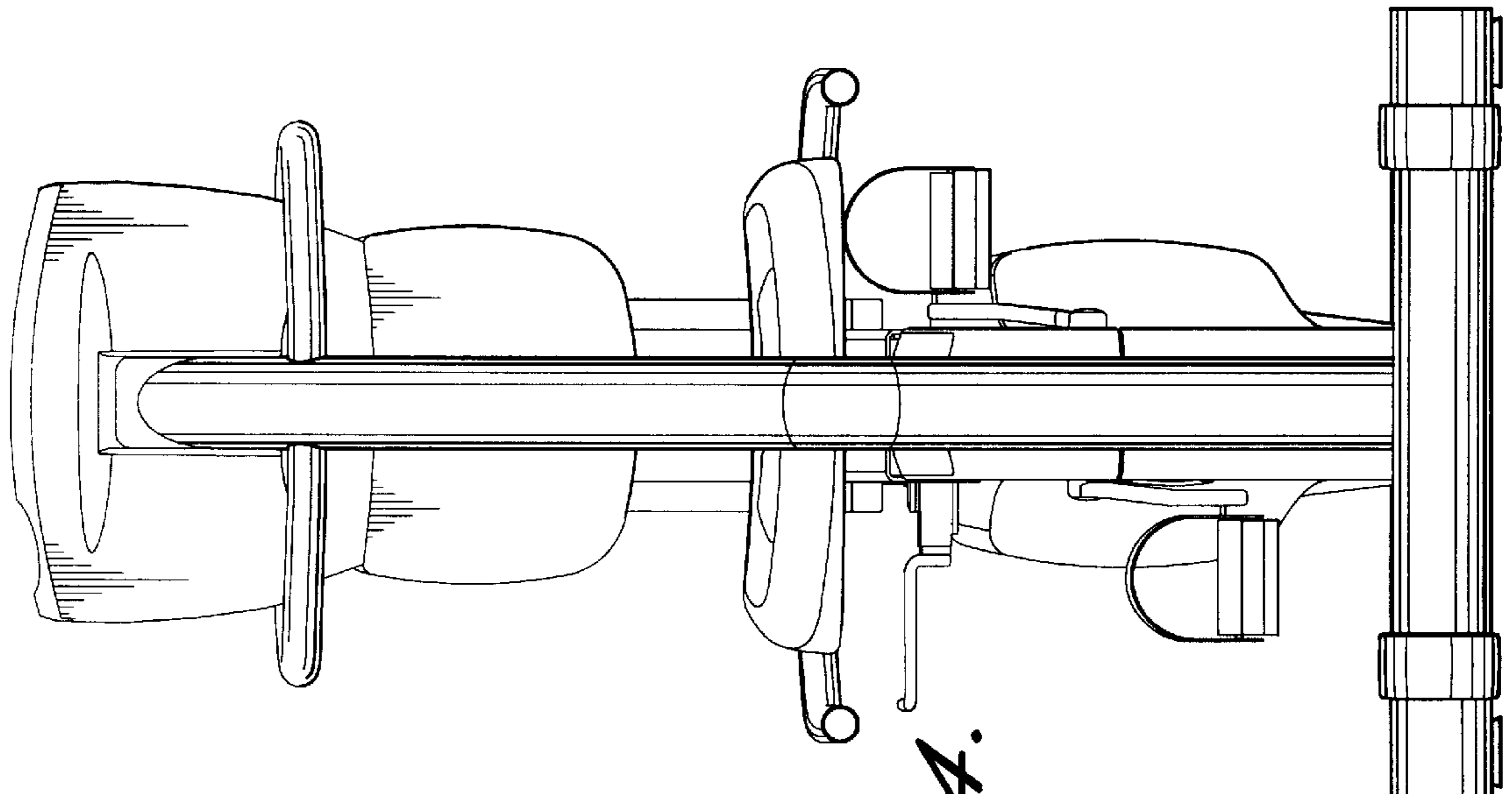


Fig. 4.

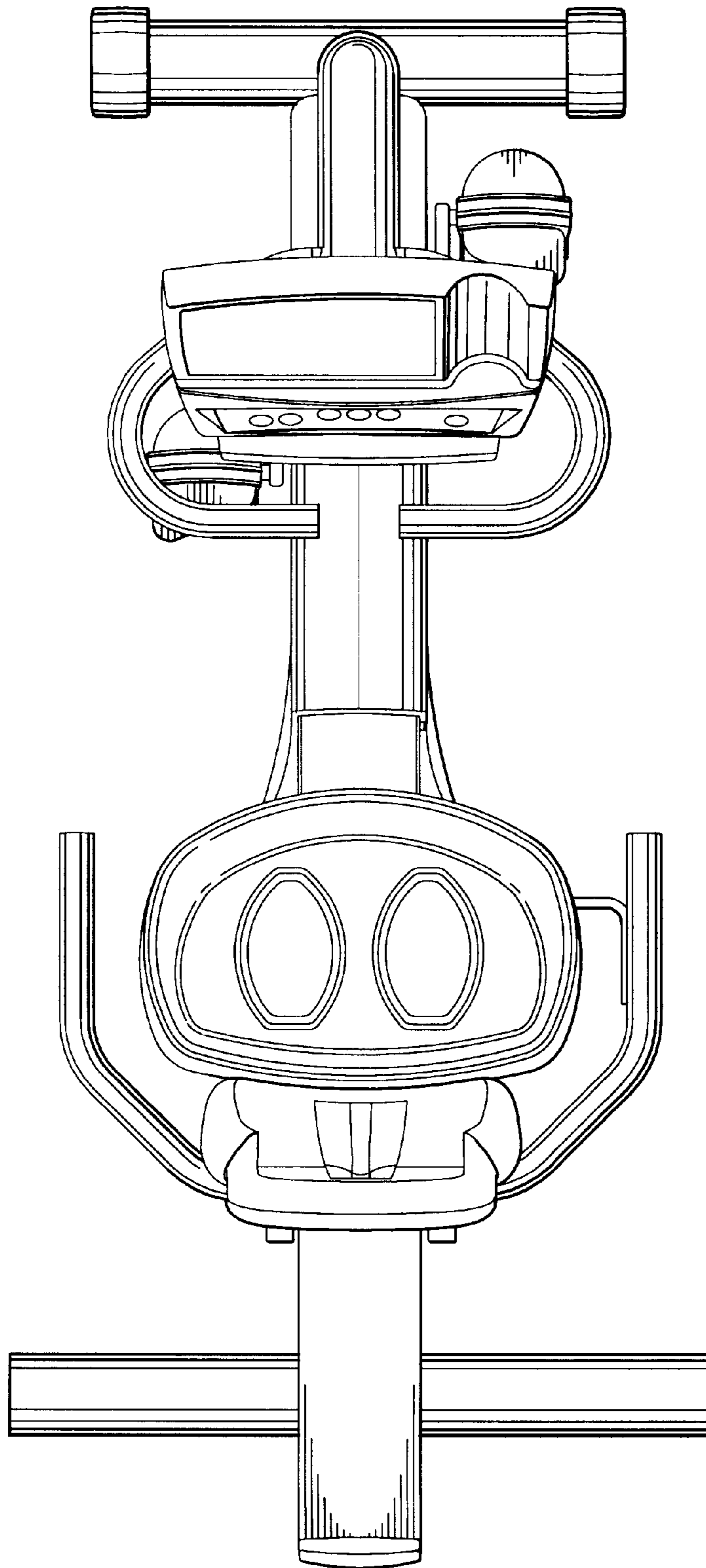


Fig. 6.

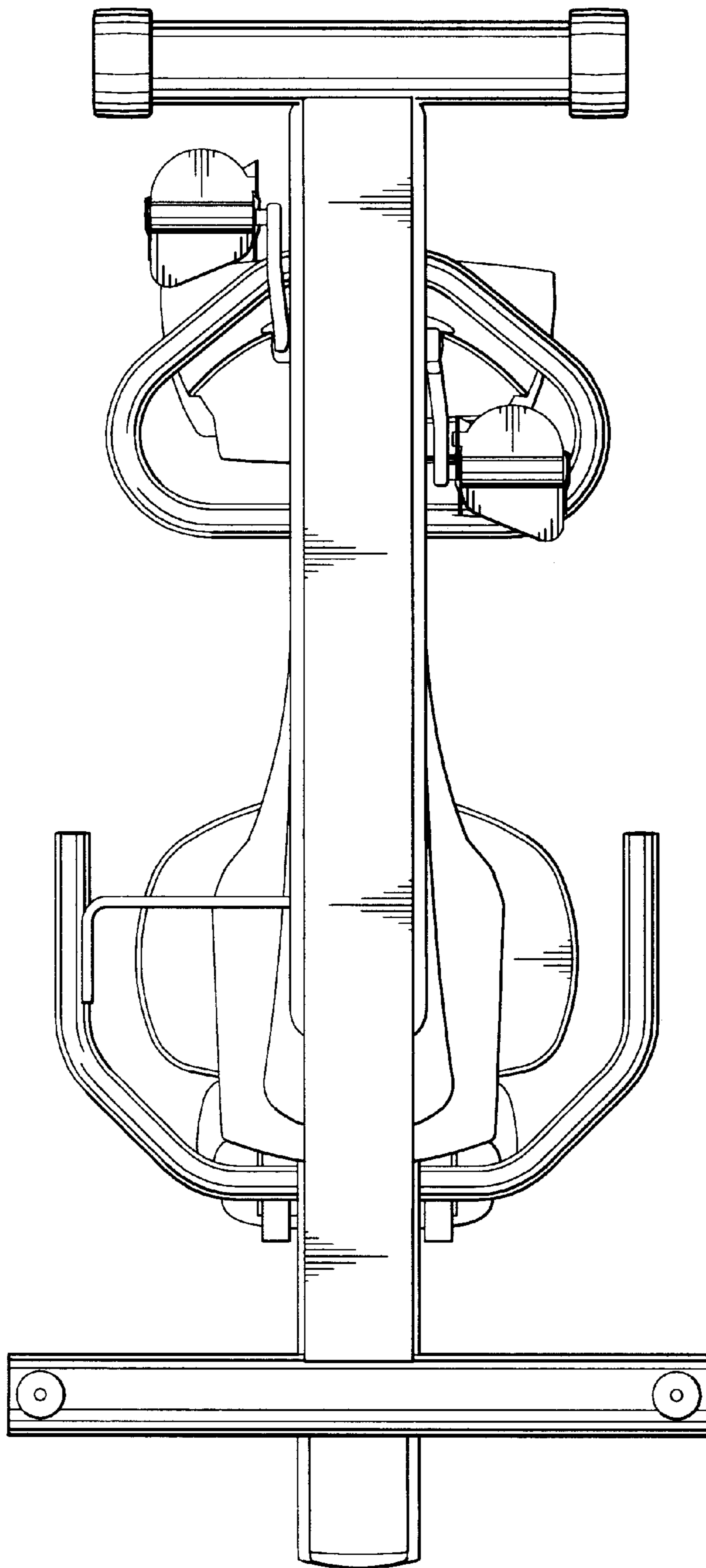


Fig. 7.