



US00D439284S

(12) **United States Design Patent**
McGowan et al.

(10) **Patent No.:** **US D439,284 S**

(45) **Date of Patent:** **** Mar. 20, 2001**

(54) **SHELL FOR A SKIPPING TOY**

(75) Inventors: **Joseph L. McGowan**, St. Peters; **Ryan Wolfinbarger**, Maplewood; **David B. Midgett**, Sulphur Springs, all of MO (US)

(73) Assignee: **Trendmasters, Inc.**, St. Louis, MO (US)

(**) Term: **14 Years**

(21) Appl. No.: **29/096,845**

(22) Filed: **Nov. 20, 1998**

(51) **LOC (7) Cl.** **21-01**

(52) **U.S. Cl.** **D21/465; D21/398**

(58) **Field of Search** D21/398, 455, D21/465, 466, 472; 482/81; 446/26, 247

(56) **References Cited**

U.S. PATENT DOCUMENTS

D. 231,477	*	4/1974	Mayer	D21/465
D. 281,889	*	12/1985	Bate et al.	D21/672
D. 309,484	*	7/1990	Arad et al.	D21/465
D. 373,402	*	9/1996	Williamson	D21/672
3,140,871	*	7/1964	Liquori	446/26
3,528,654	*	9/1970	Larson et al.	482/81

* cited by examiner

Primary Examiner—Dominic Simone

(74) *Attorney, Agent, or Firm*—Dorsey & Whitney LLP

(57) **CLAIM**

The ornamental design for a shell for a skipping toy, as shown.

DESCRIPTION

The structure shown in broken lines in the Figures is not part of the design sought to be patented, but instead shows the environment of the claimed design. Views of one side of the design in the first and third embodiments below have been omitted because they are merely duplicative of the other side view.

FIG. 1 is a side perspective view of the shell for a skipping toy showing our new design;

FIG. 2 is a front elevational view of the shell for a skipping toy of FIG. 1;

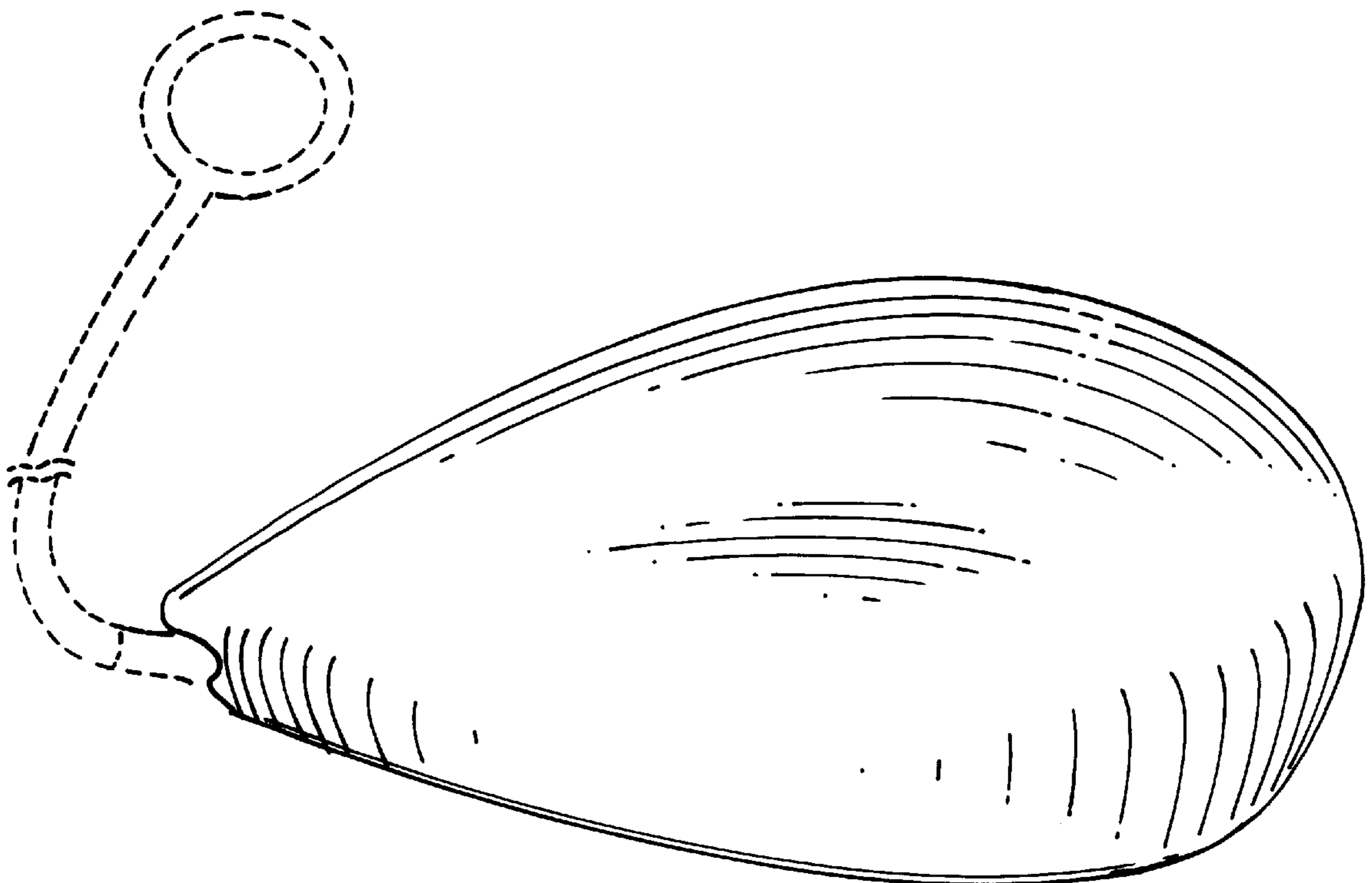
FIG. 3 is a rear elevational view of the shell for a skipping toy of FIG. 1;

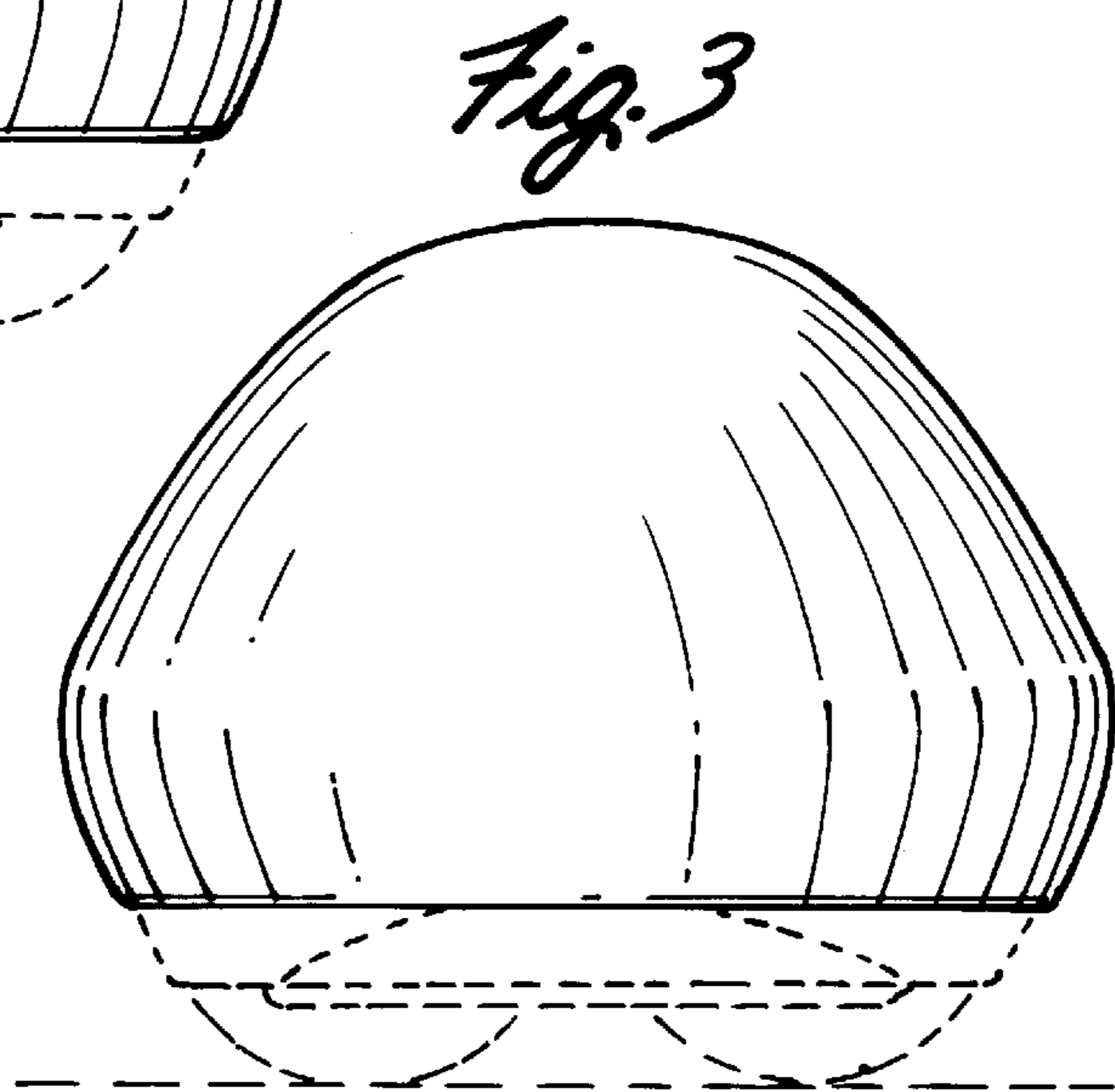
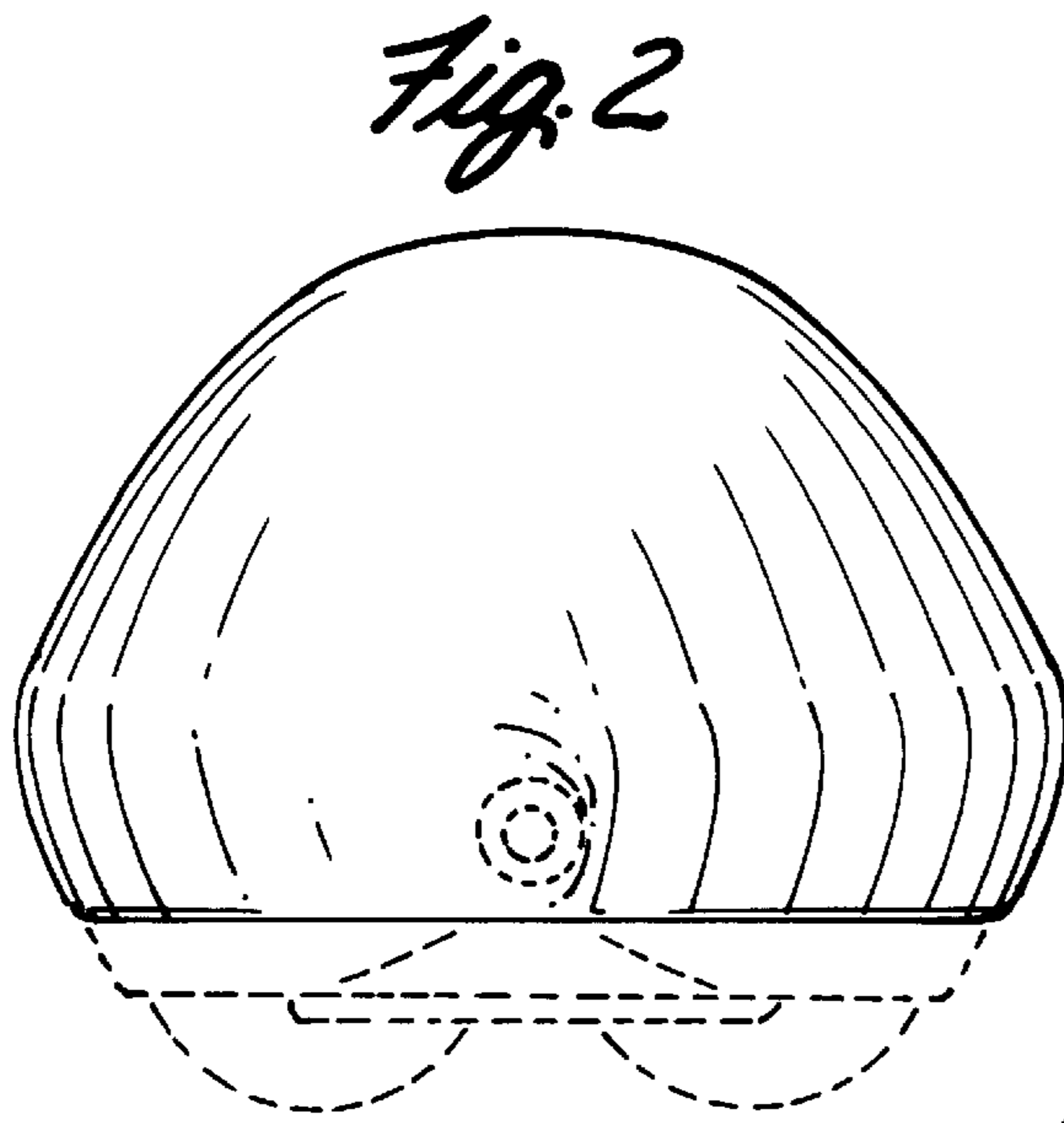
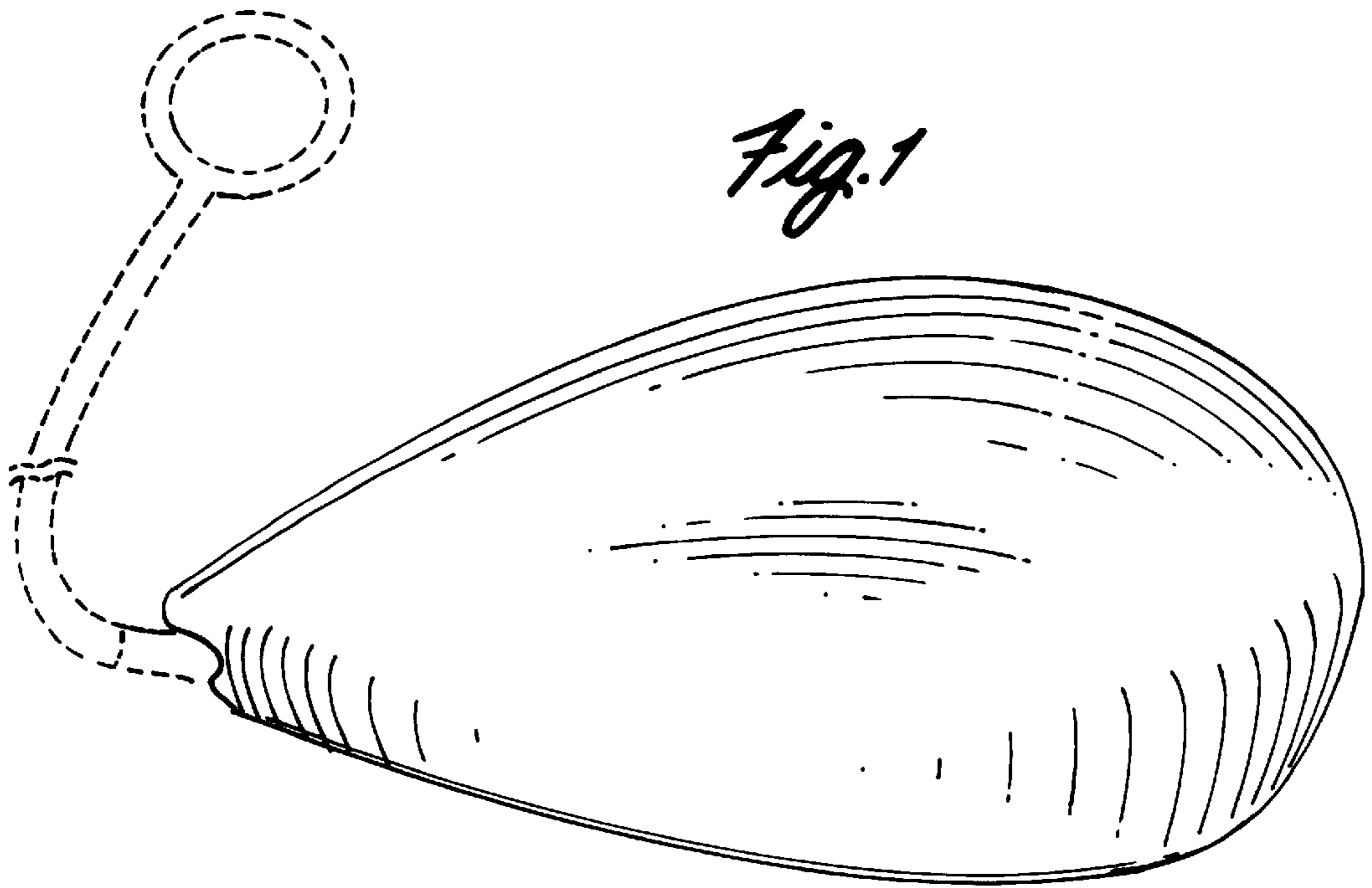
FIG. 4 is a top plan view of the shell for a skipping toy of FIG. 1;

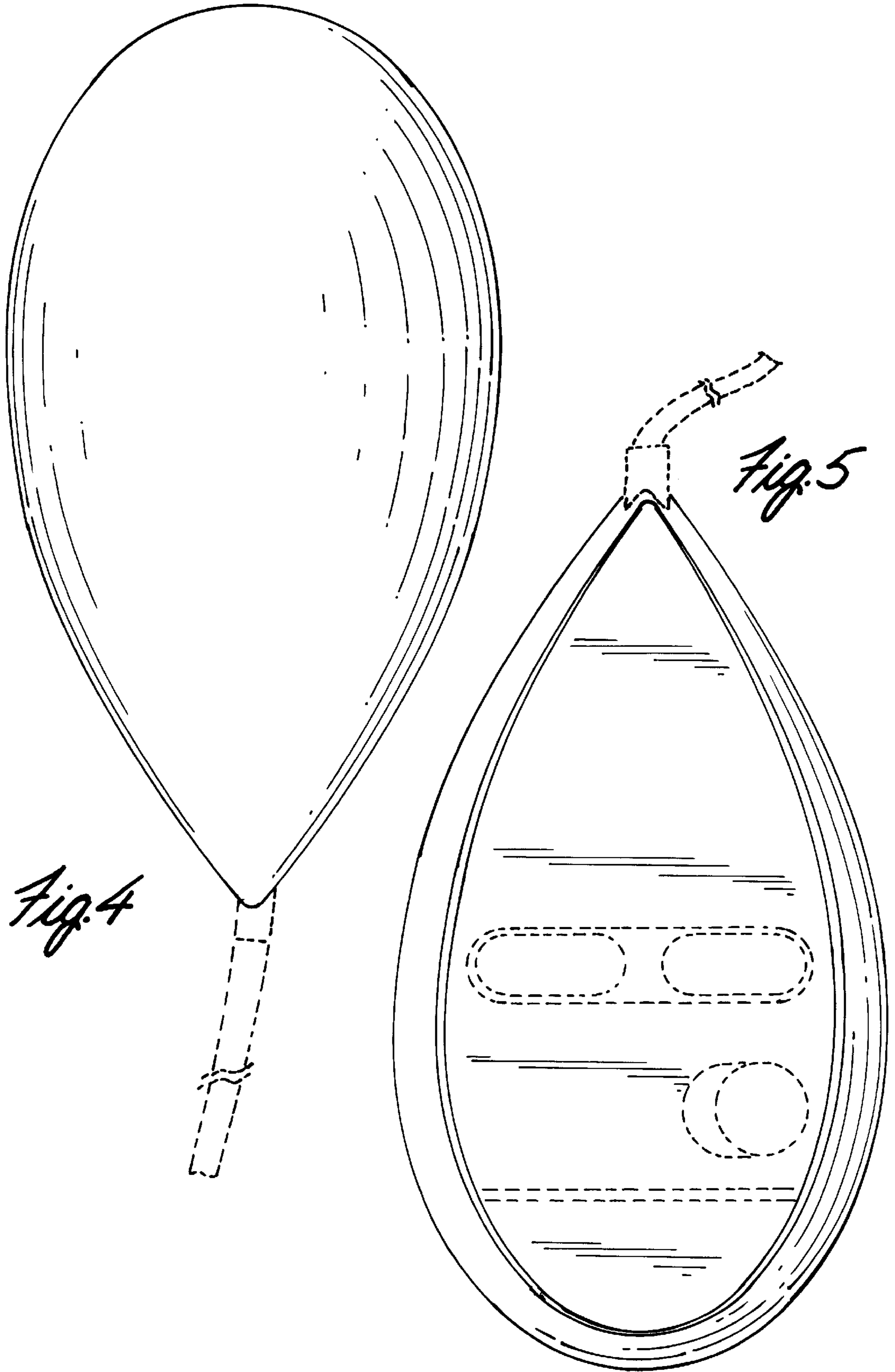
FIG. 5 is a bottom plan view of the shell for a skipping toy of FIG. 1; and,

FIG. 6 is a side elevational view of the shell for a skipping toy of FIG. 1.

1 Claim, 3 Drawing Sheets







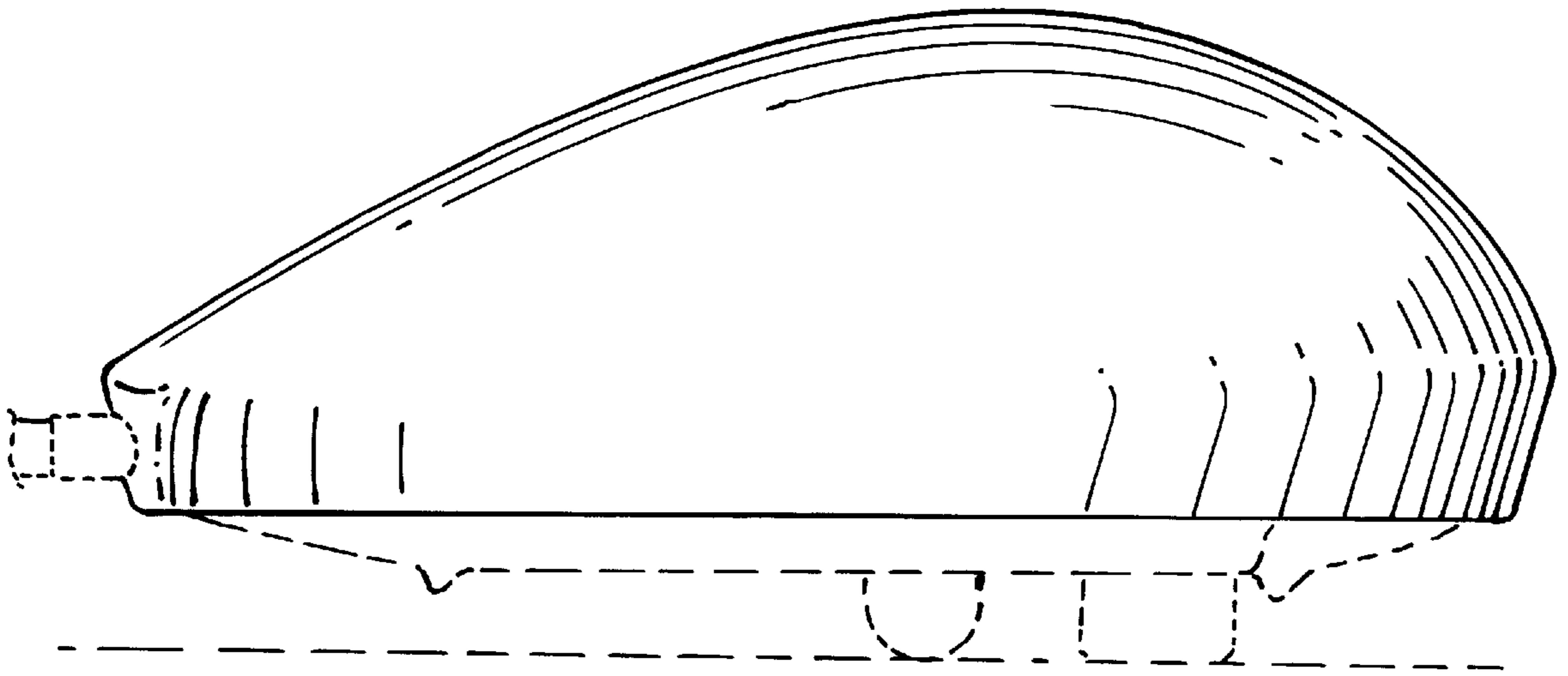


Fig. 6