



US00D439283S

(12) **United States Design Patent**  
**Naranjo**

(10) **Patent No.:** **US D439,283 S**

(45) **Date of Patent:** **\*\* Mar. 20, 2001**

(54) **BALLOON SUPPORT STAND**

(76) Inventor: **Peter Naranjo**, 72 Sierra Meadow Dr.,  
San Jose, CA (US) 95116

(\*\*) Term: **14 Years**

(21) Appl. No.: **29/122,607**

(22) Filed: **Apr. 27, 2000**

(51) **LOC (7) Cl.** ..... **21-01**

(52) **U.S. Cl.** ..... **D21/440; D21/398; D11/157;**  
D11/184

(58) **Field of Search** ..... D11/117, 121,  
D11/125, 131, 157, 184; D21/398, 440;  
446/220-226; 248/176.1

(56) **References Cited**

**U.S. PATENT DOCUMENTS**

D. 266,915	*	11/1982	Metzinger	.....	D21/440	X
D. 355,624	*	2/1995	Wiegand	.....	D11/163	
D. 401,255	*	11/1998	Burns	.....	D21/398	
D. 414,222	*	9/1999	Kieves et al.	.....	D21/440	
4,879,823	*	11/1989	Collins	.....	446/220	X
4,953,713	*	9/1990	Yaffe	.....	446/221	X
5,016,848	*	5/1991	Metz	.....	446/220	X
5,024,011	*	2/1995	Collins	.....	446/220	X

5,035,391 \* 7/1991 Steele et al. .... 446/220 X

5,074,510 \* 12/1991 Metz ..... 446/220 X

5,755,419 \* 2/1995 Gearhart et al. .... 446/220 X

6,076,758 \* 6/2000 Kieves et al. .... 446/220 X

\* cited by examiner

*Primary Examiner*—Dominic Simone

(74) *Attorney, Agent, or Firm*—The Kline Law Firm

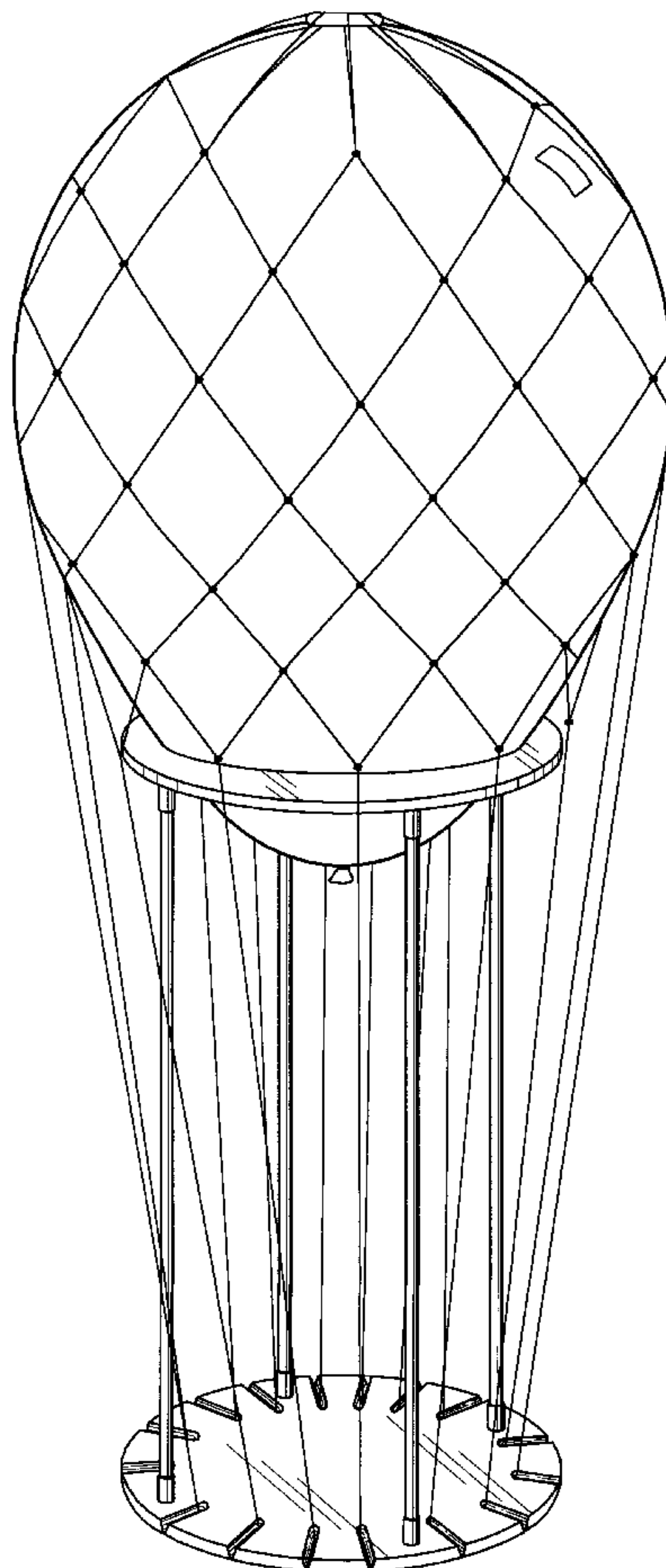
(57) **CLAIM**

The ornamental design for a balloon support stand, as shown and described.

**DESCRIPTION**

FIG. 1 is a perspective view of a balloon support stand showing my new design, the opposite side being identical; FIG. 2 is a top plan view thereof; FIG. 3 is a bottom plan view thereof; FIG. 4 is a top plan view of the bottom element shown separately for clarity of illustration; FIG. 5 is a perspective view of the supporting rods shown separately for clarity of illustration; FIG. 6 is a top plan view of the top element shown separately for clarity of illustration; and, FIG. 7 is a bottom plan view of FIG. 6.

**1 Claim, 7 Drawing Sheets**



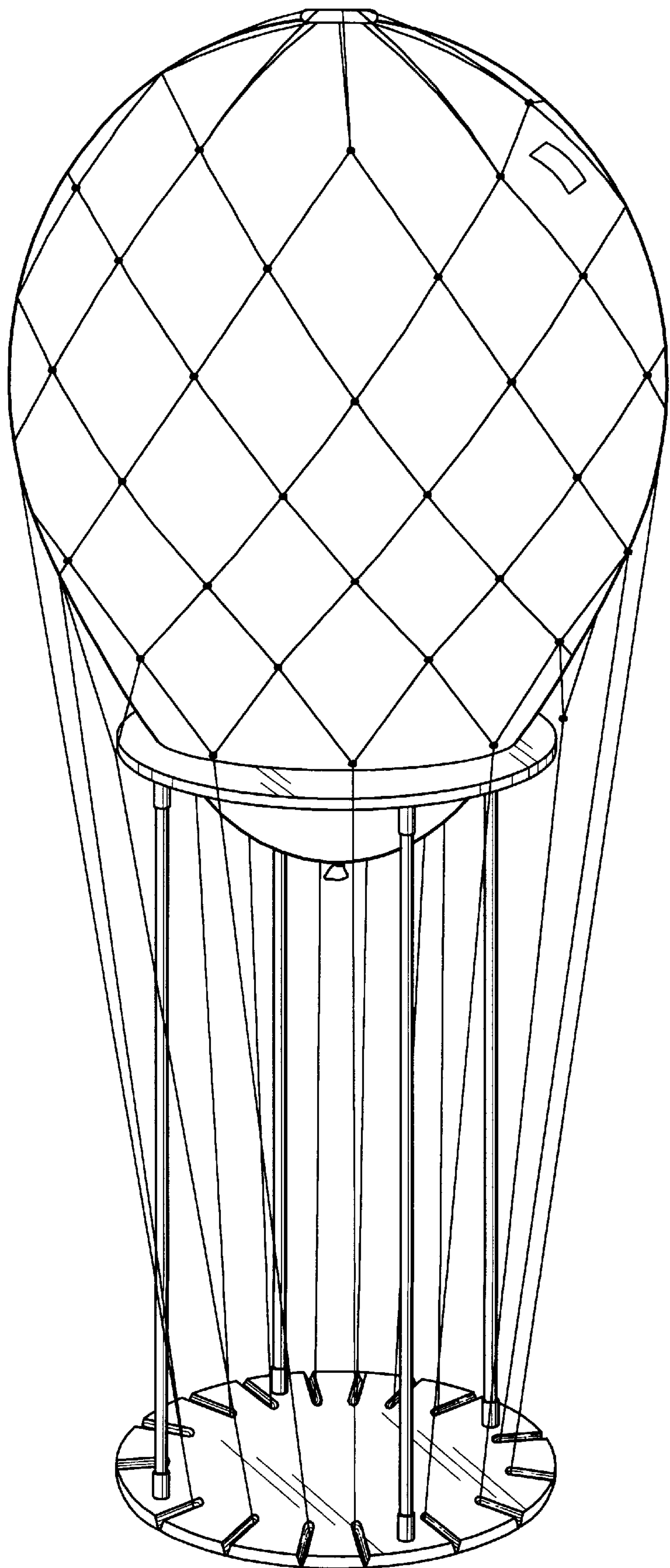


FIG. 1

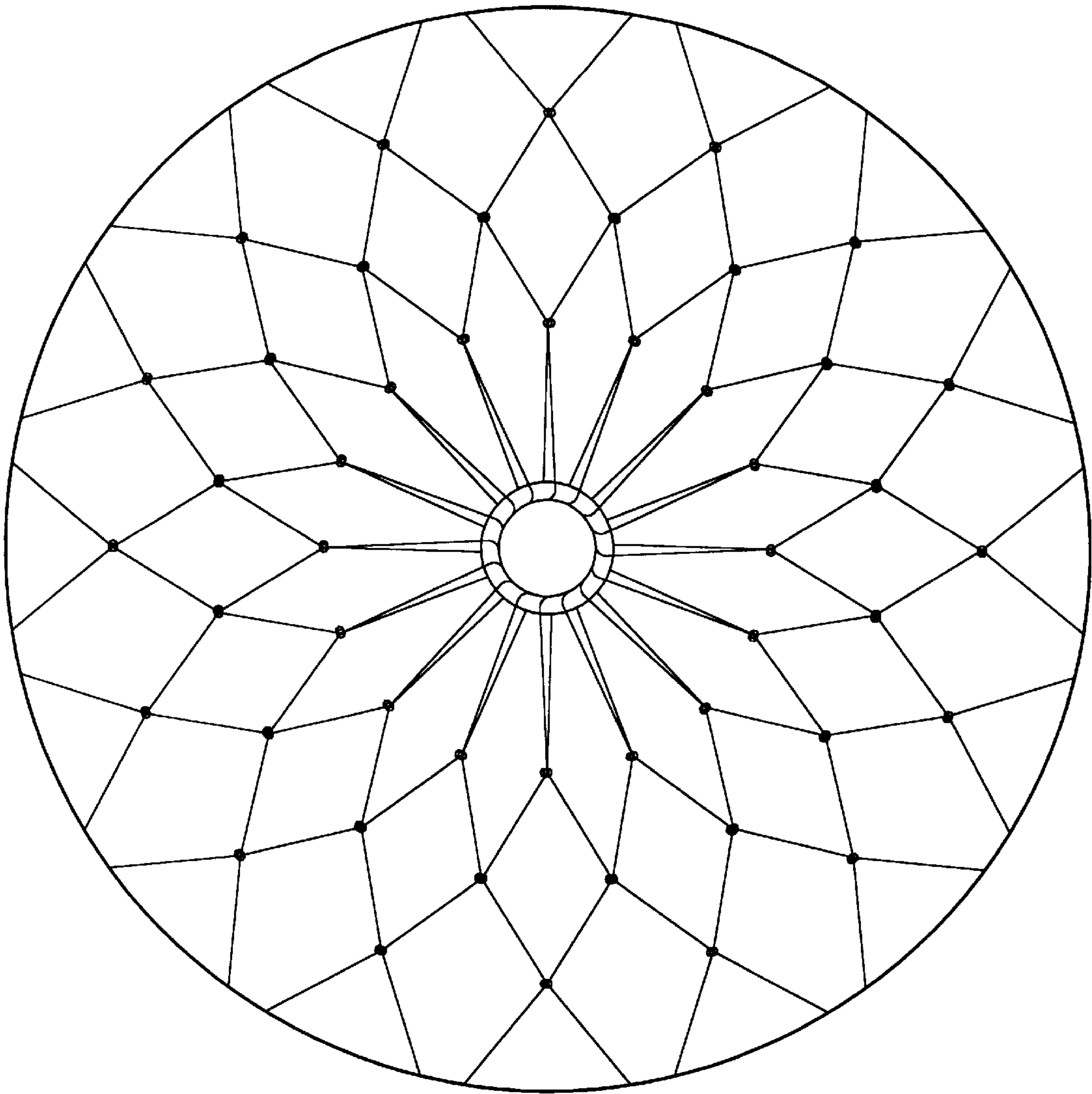


FIG. 2

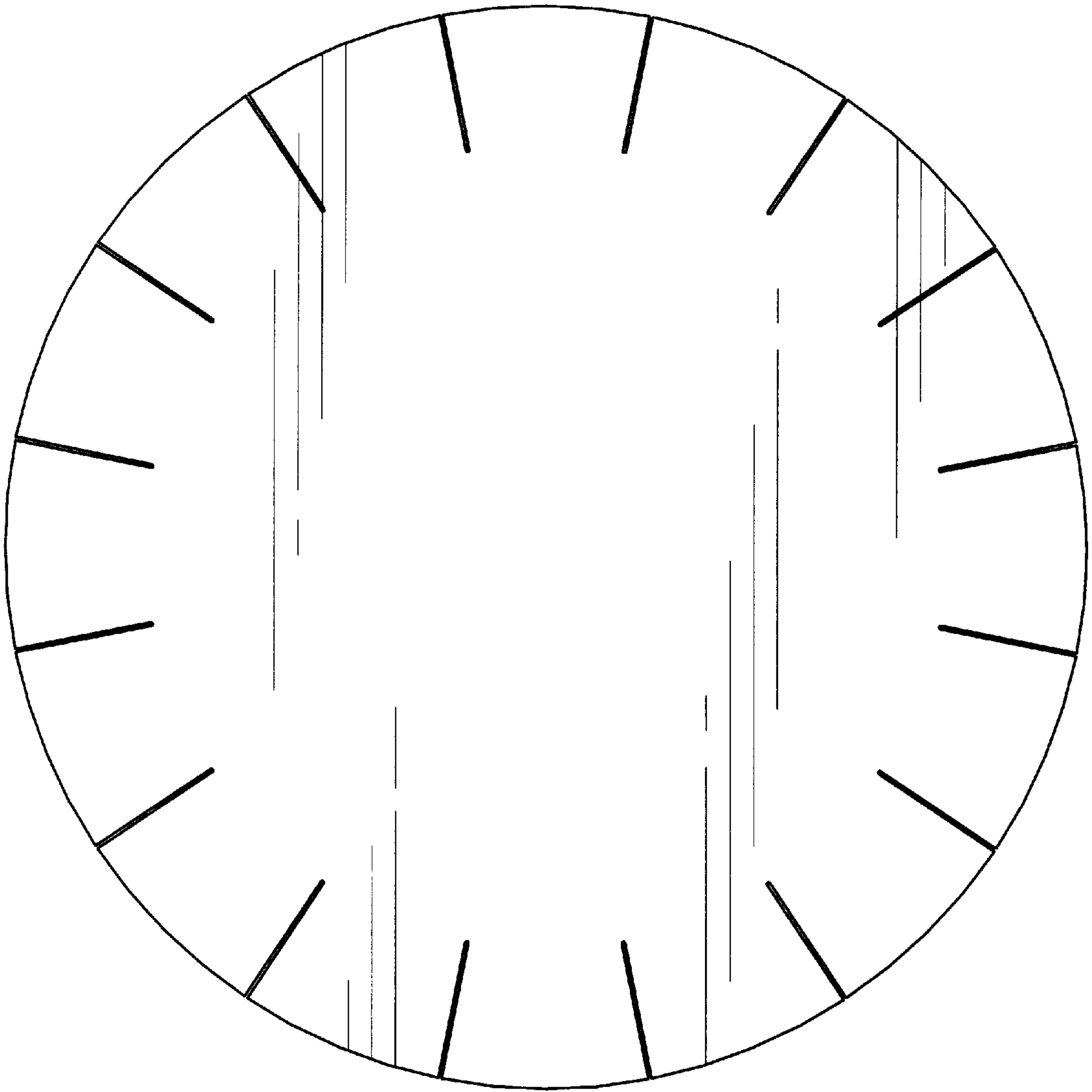


FIG. 3

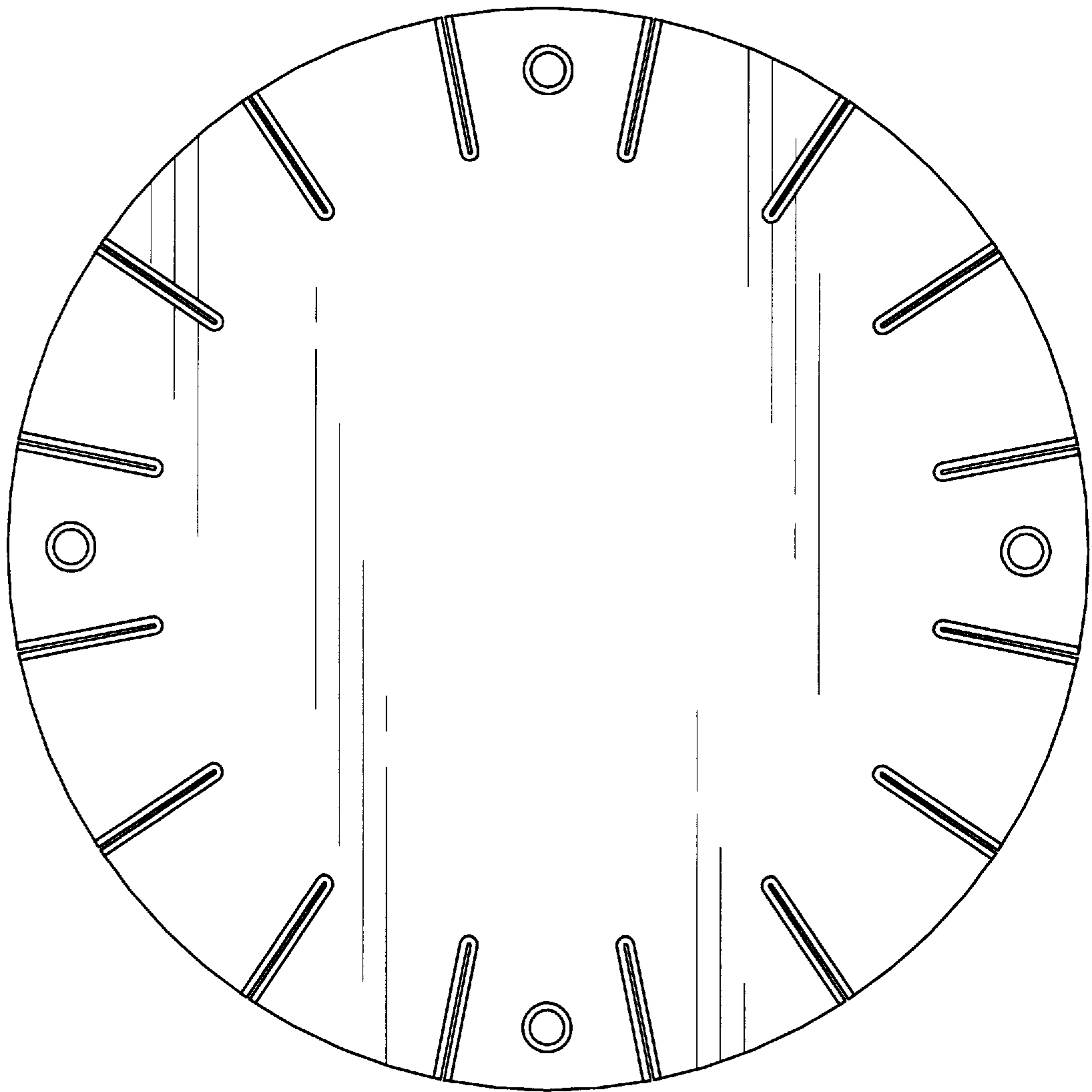


FIG. 4

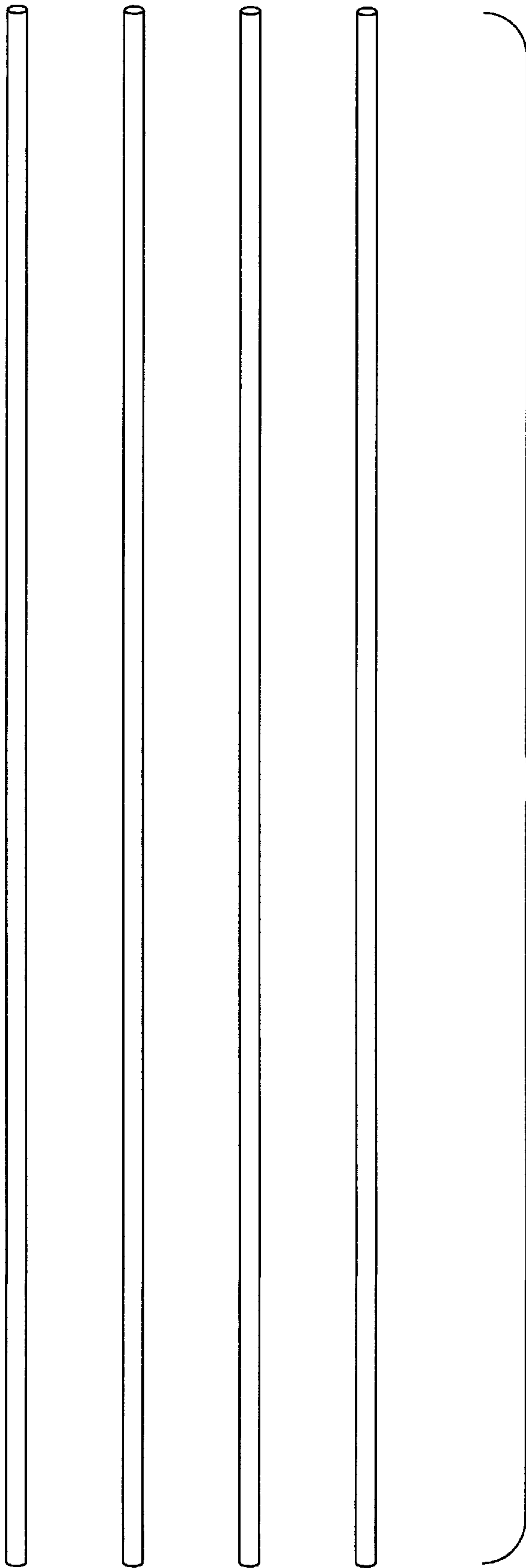


FIG. 5



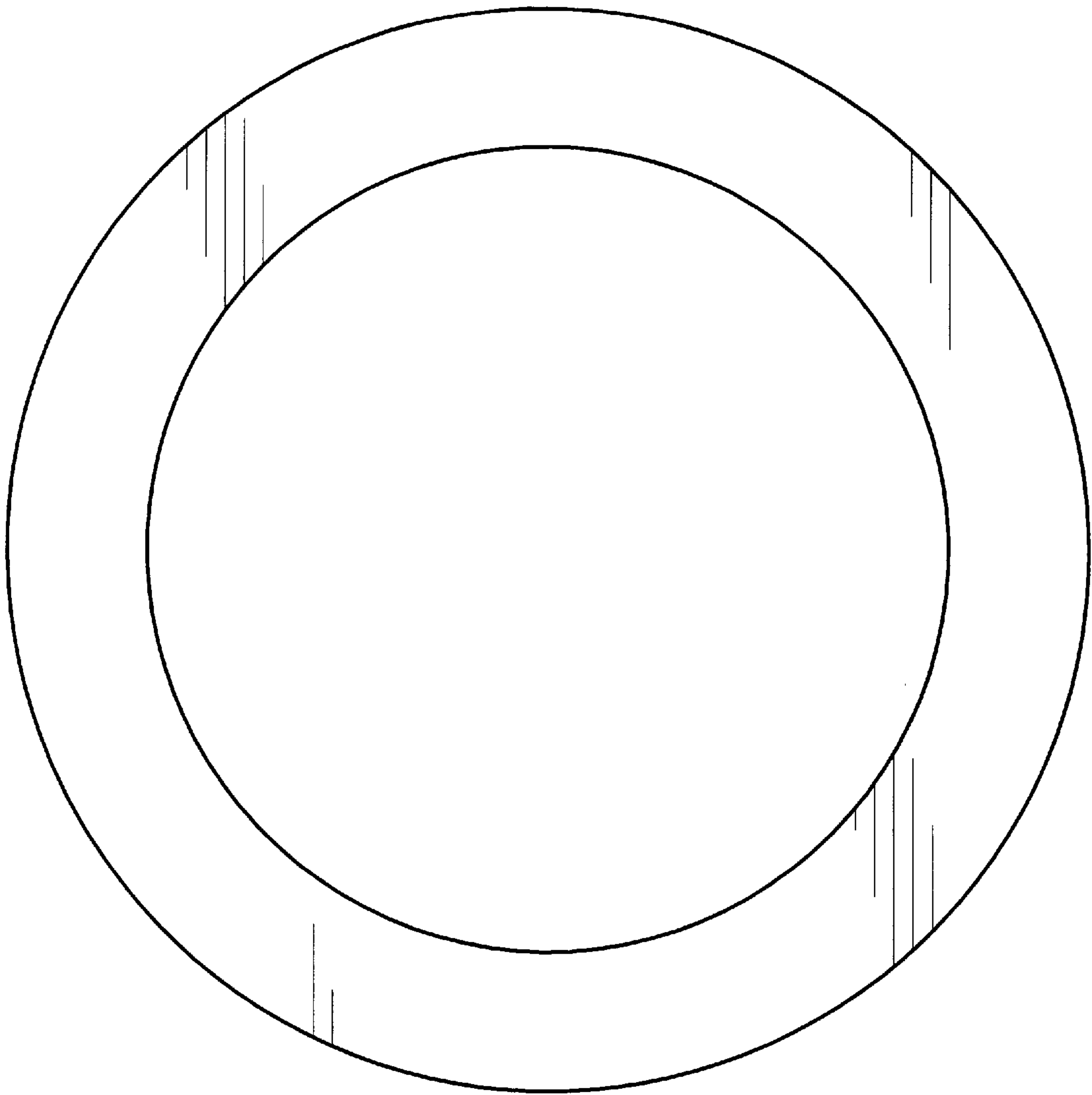


FIG. 6

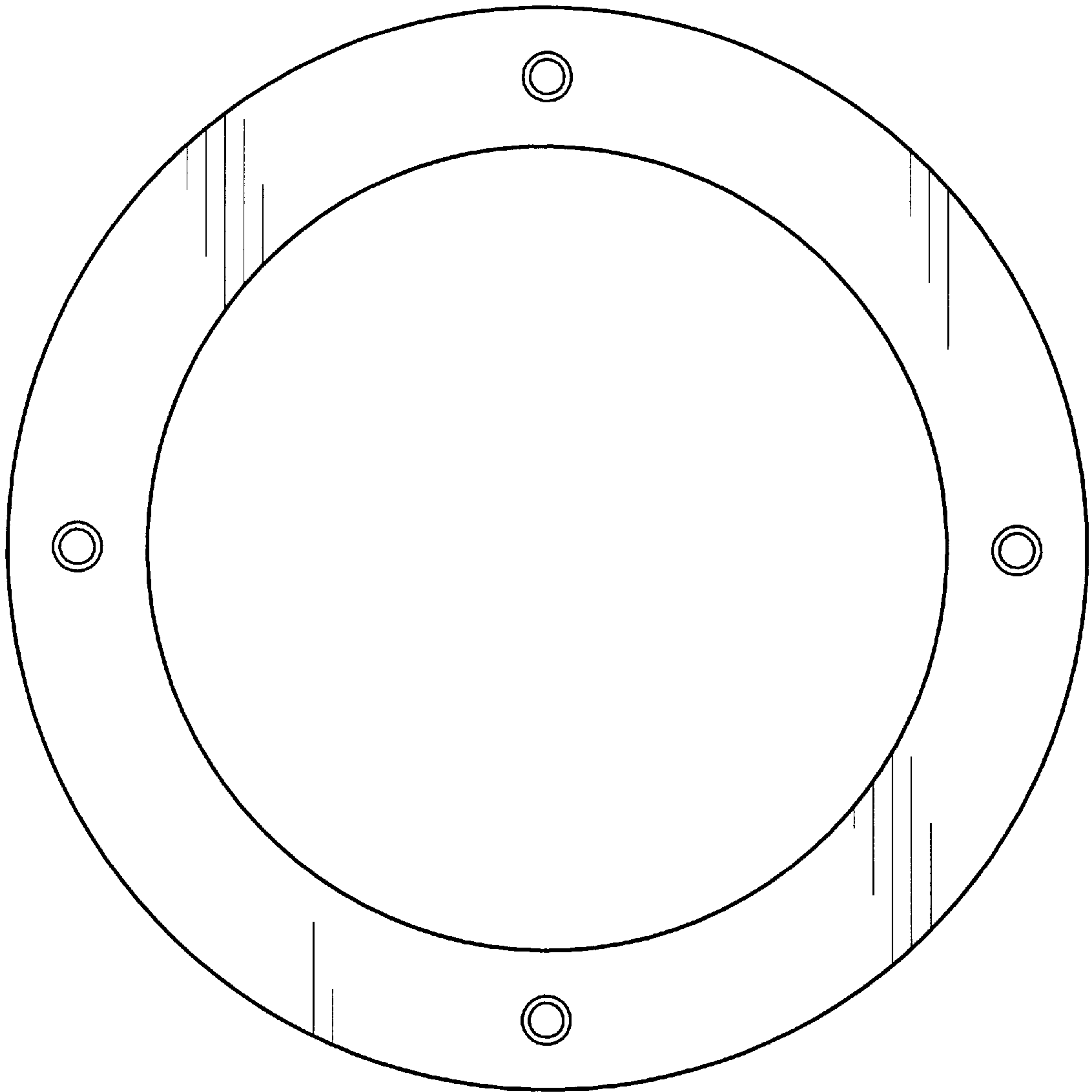


FIG. 7