



US00D439281S

(12) **United States Design Patent**
Nakazawa

(10) **Patent No.:** **US D439,281 S**

(45) **Date of Patent:** **** Mar. 20, 2001**

(54) **DECORATIVE TABLE TOP AMUSEMENT DEVICE**

(75) Inventor: **Chieko Nakazawa, Tokyo (JP)**

(73) Assignee: **Tomy Company, Ltd., Tokyo (JP)**

(**) Term: **14 Years**

(21) Appl. No.: **29/044,935**

(22) Filed: **Oct. 3, 1995**

(30) **Foreign Application Priority Data**

Apr. 3, 1995 (JP) 7-9258

(51) **LOC (7) Cl.** **21-01**

(52) **U.S. Cl.** **D21/59; D21/64; D21/65**

(58) **Field of Search** **D21/59, 61, 65; 446/175, 397, 418, 419, 421, 491**

(56) **References Cited**

U.S. PATENT DOCUMENTS

- D. 16,481 * 1/1886 Rider D21/65
- D. 55,634 * 7/1920 Monkhouse D21/65
- D. 132,342 * 5/1942 Cohn D21/65

- D. 352,073 * 11/1994 Rissman et al. D21/61
- D. 352,334 * 11/1994 Rissman et al. D21/61
- 2,470,612 * 5/1949 Galter D21/65 X

OTHER PUBLICATIONS

Hong Kong Toys 1994; p65; #93391C Scepter.*
Hong Kong Toys 1992; p82; #9112 B/O Sparkling Light.*

* cited by examiner

Primary Examiner—Dominic Simone

(74) *Attorney, Agent, or Firm*—Staas & Halsey LLP

(57) **CLAIM**

The ornamental design for a decorative table top amusement device, as shown.

DESCRIPTION

FIG. 1 is a top plan view of the decorative table top amusement device;
FIG. 2 is a bottom plan view thereof;
FIG. 3 is a front elevational view thereof;
FIG. 4 is a rear elevational view thereof;
FIG. 5 is a right side elevational view thereof; and,
FIG. 6 is a left side elevational view thereof.

1 Claim, 5 Drawing Sheets

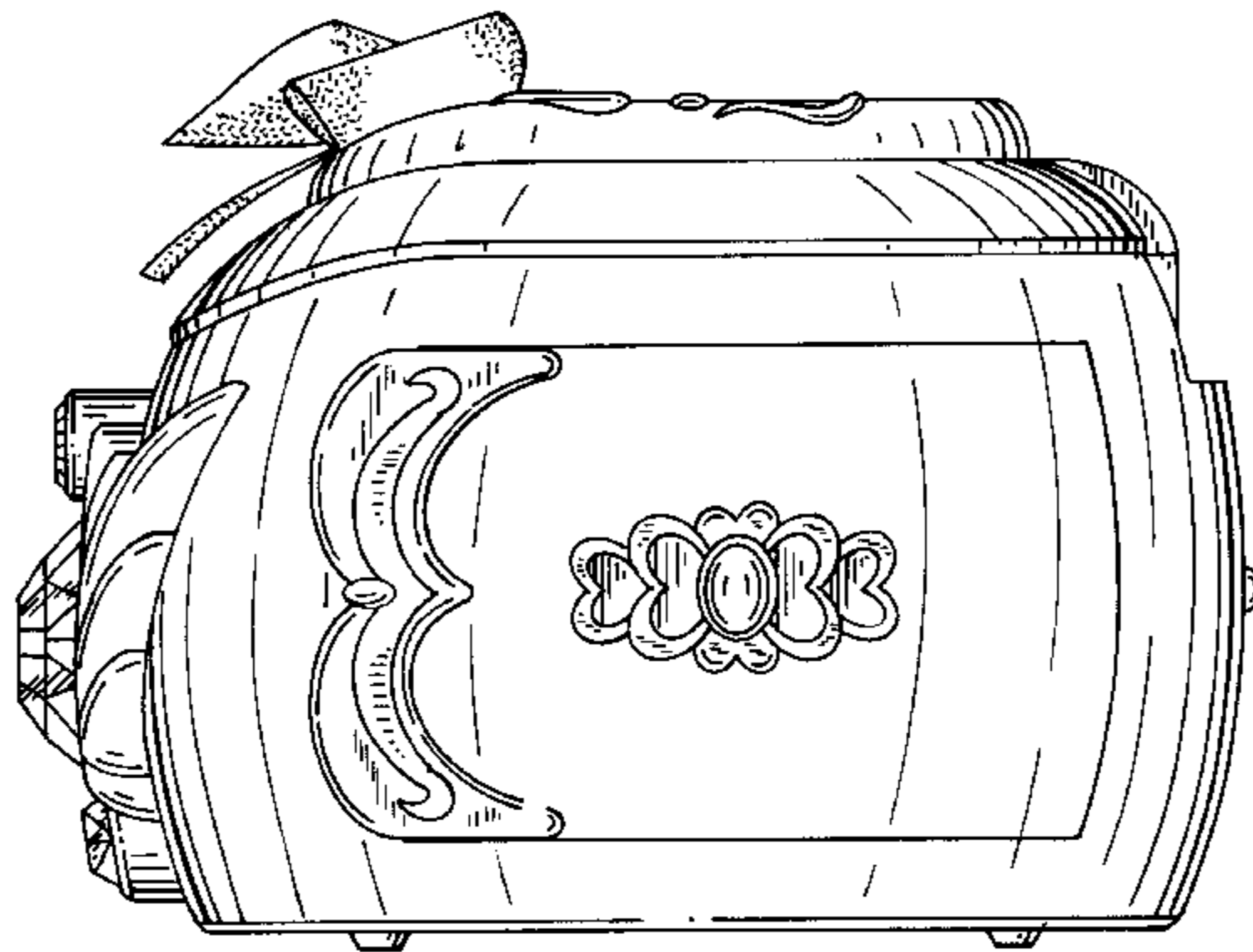
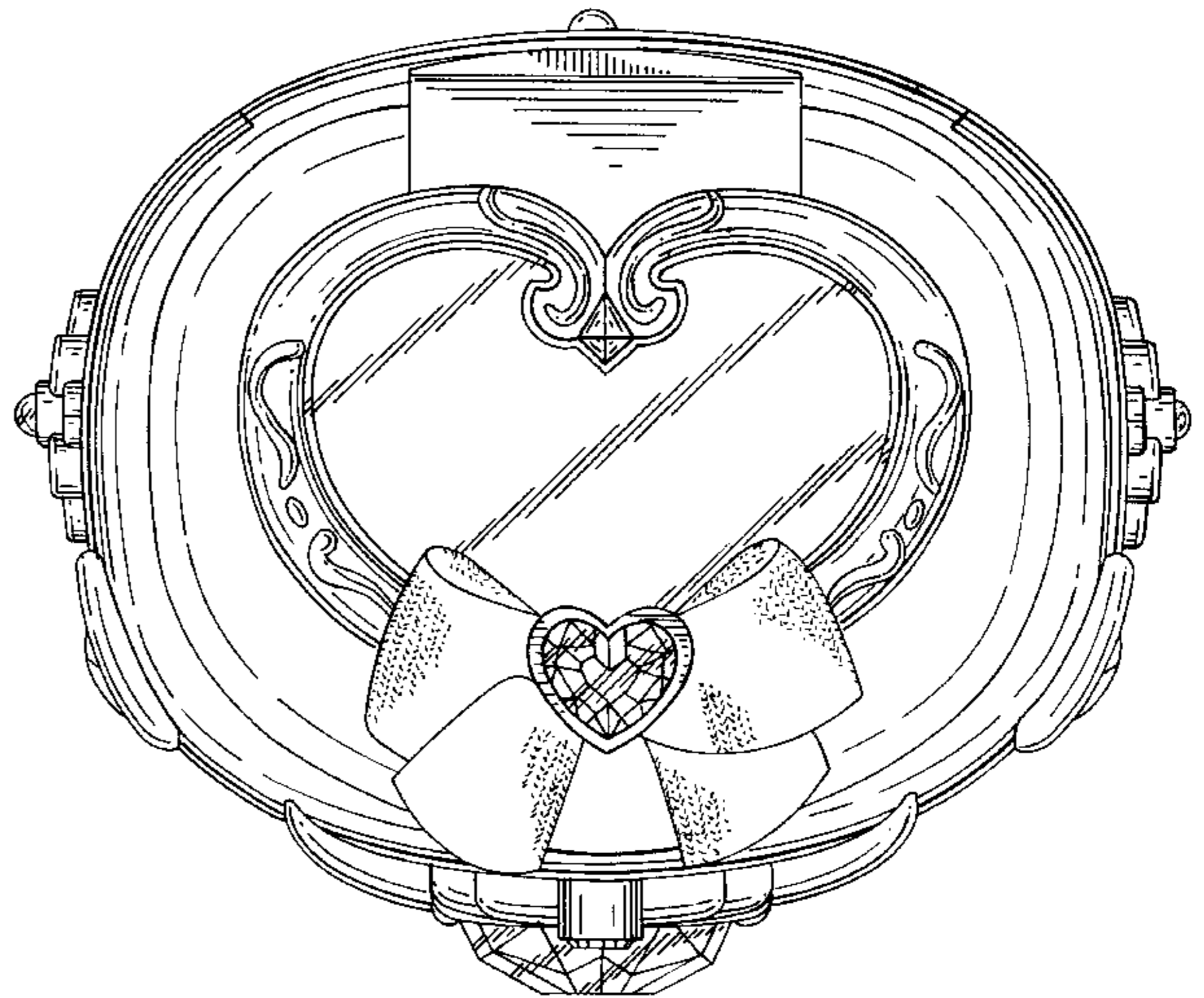
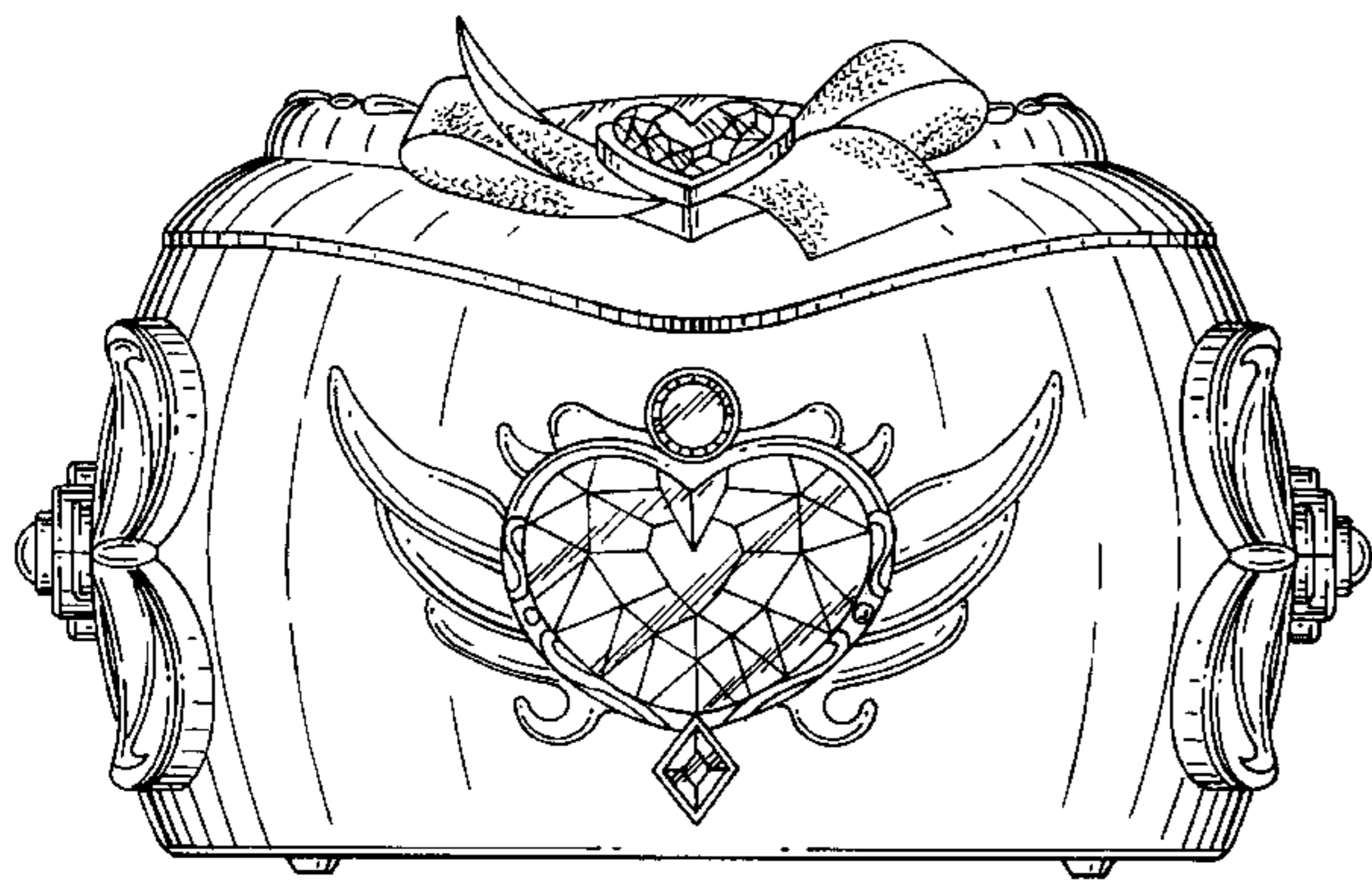


FIG. 1

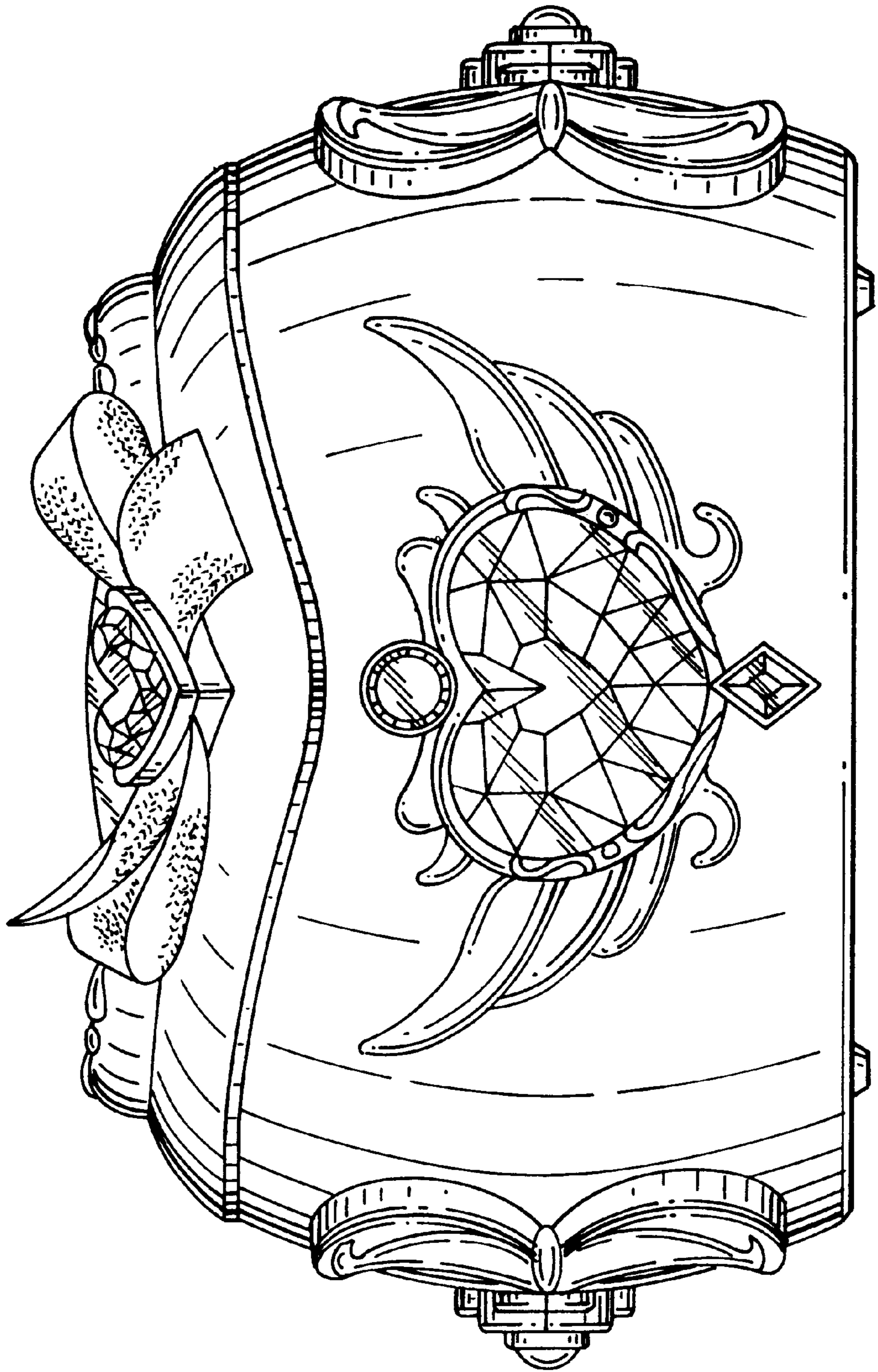


FIG. 2

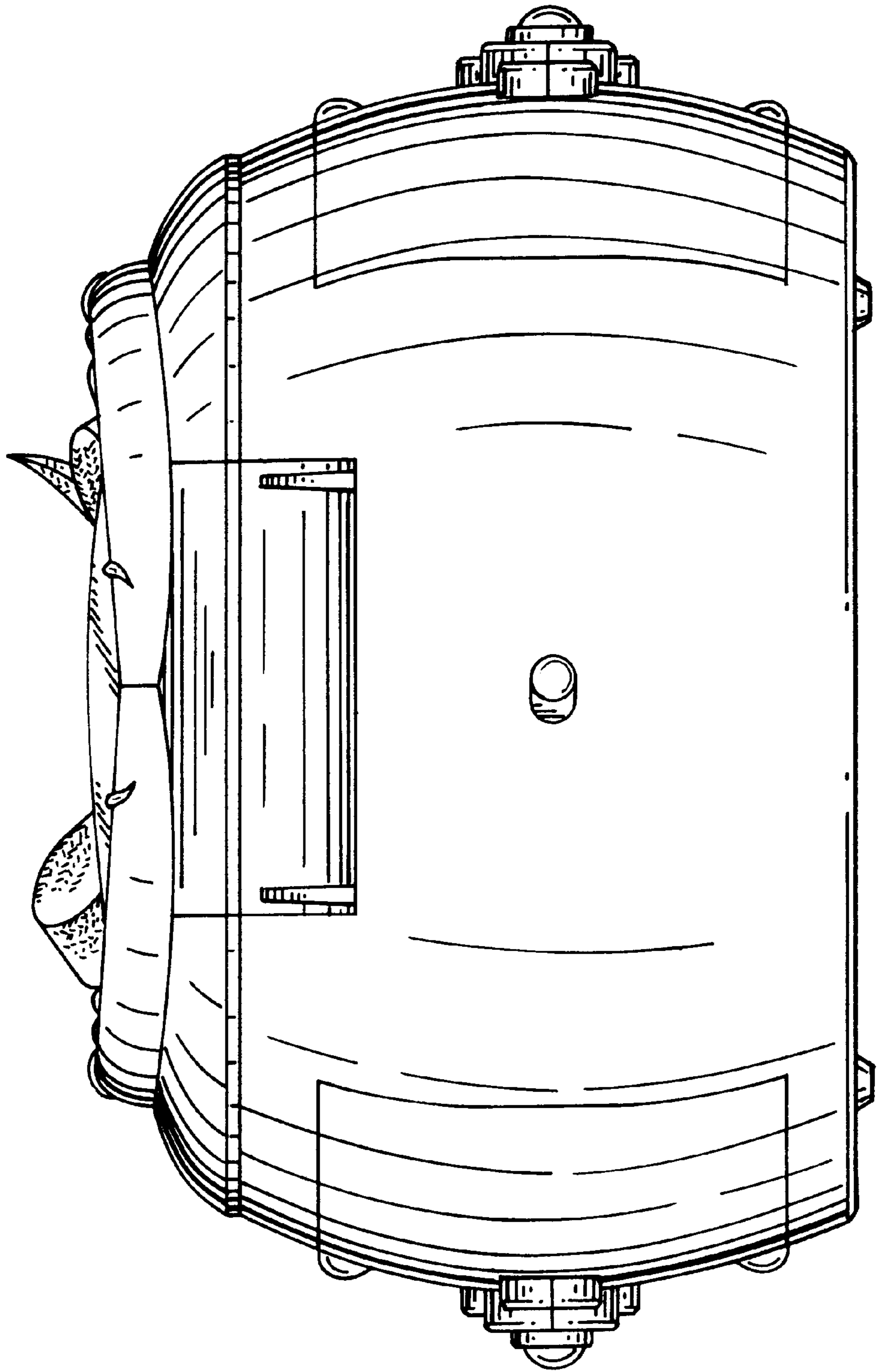


FIG. 3

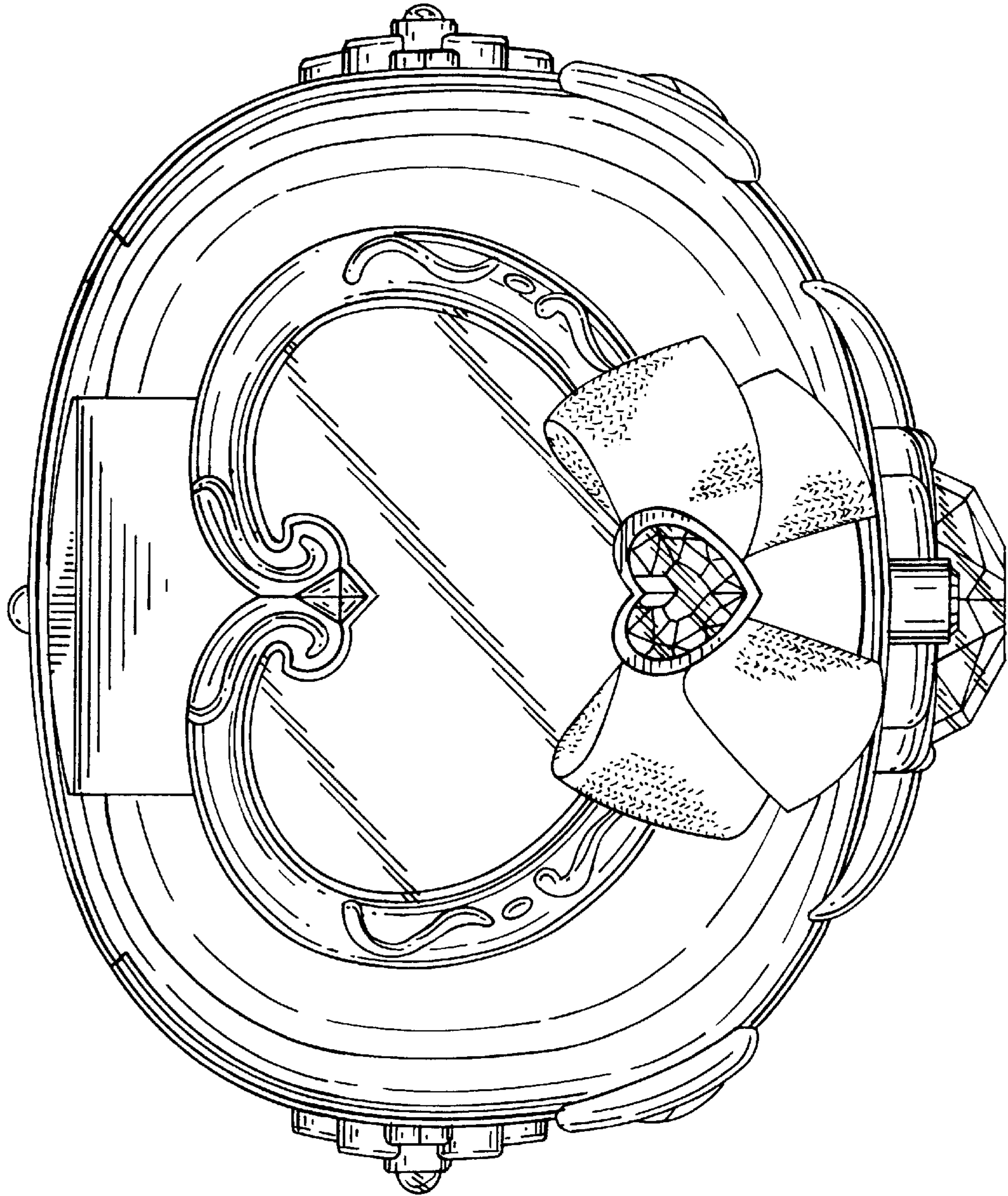


FIG. 4

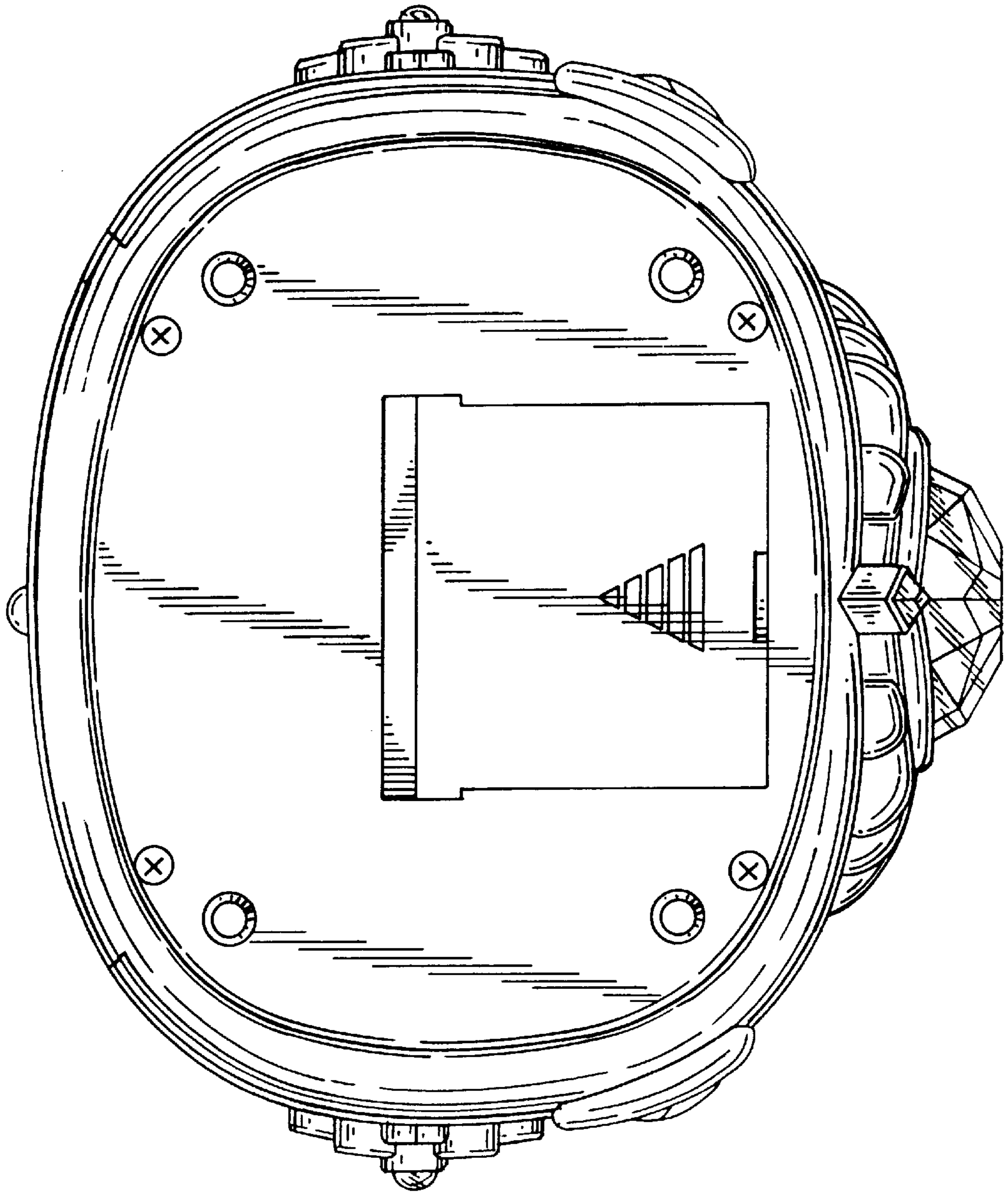


FIG. 5

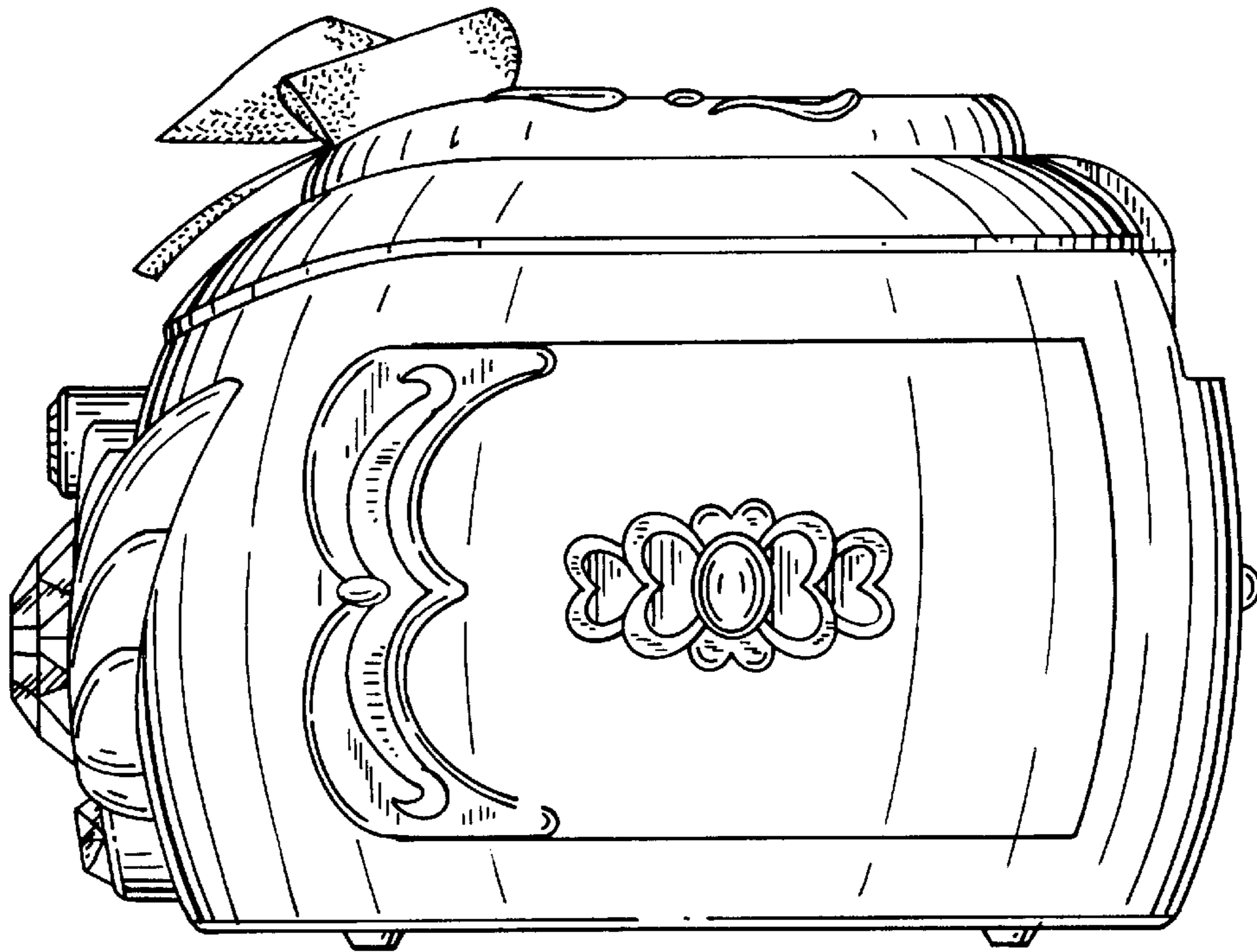


FIG. 6

