



US00D439275S

(12) **United States Design Patent**  
**Ohashi**

(10) **Patent No.:** **US D439,275 S**

(45) **Date of Patent:** **\*\* Mar. 20, 2001**

(54) **LASER BEAM PRINTER**

(75) Inventor: **Hiroaki Ohashi**, Komae (JP)

(73) Assignee: **Canon Kabushiki Kaisha**, Tokyo (JP)

(\*\*) Term: **14 Years**

(21) Appl. No.: **29/114,825**

(22) Filed: **Dec. 2, 1999**

(30) **Foreign Application Priority Data**

Jun. 9, 1999 (JP) ..... 11-15083

(51) **LOC (7) Cl.** ..... **18-02**

(52) **U.S. Cl.** ..... **D18/55**

(58) **Field of Search** ..... D18/50, 54, 55,  
D18/36-39; 400/613, 613.1-613.4, 691-694,  
690.1-690.4; D14/462

(56) **References Cited**

**U.S. PATENT DOCUMENTS**

- D. 350,364 \* 9/1994 Kawashima et al. .... D18/50
- D. 371,158 \* 6/1996 Yoshida ..... D18/50
- D. 373,595 \* 9/1996 Askren et al. .... D18/50
- D. 375,119 \* 10/1996 Pangburn ..... D18/50
- D. 379,195 \* 5/1997 Stanton ..... D18/50
- D. 379,469 \* 5/1997 Nobata ..... D18/50

- D. 390,594 \* 2/1998 Sekine ..... D18/54
- D. 390,595 \* 2/1998 Sekine ..... D18/54
- D. 414,799 \* 10/1999 Cook et al. .... D18/55
- D. 419,591 \* 1/2000 Pangburn ..... D18/55
- D. 421,768 \* 3/2000 Blair et al. .... D18/50
- D. 423,563 \* 4/2000 Collins et al. .... D18/55
- D. 424,099 \* 5/2000 Pangburn ..... D18/50

\* cited by examiner

*Primary Examiner*—Cathy Anne MacCormac

(74) *Attorney, Agent, or Firm*—Fitzpatrick, Cella, Harper & Scinto

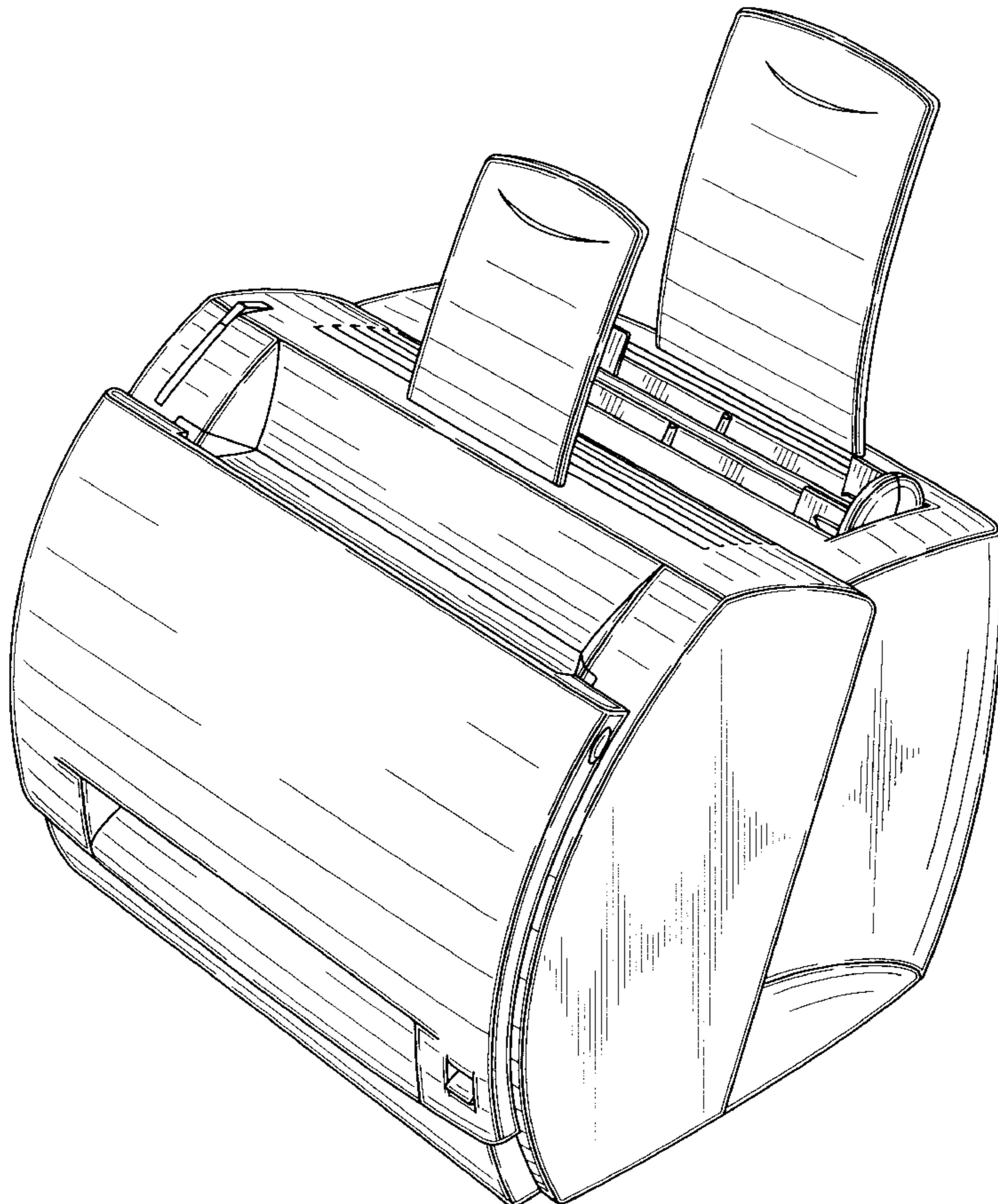
(57) **CLAIM**

The ornamental design for a laser beam printer, as shown and described.

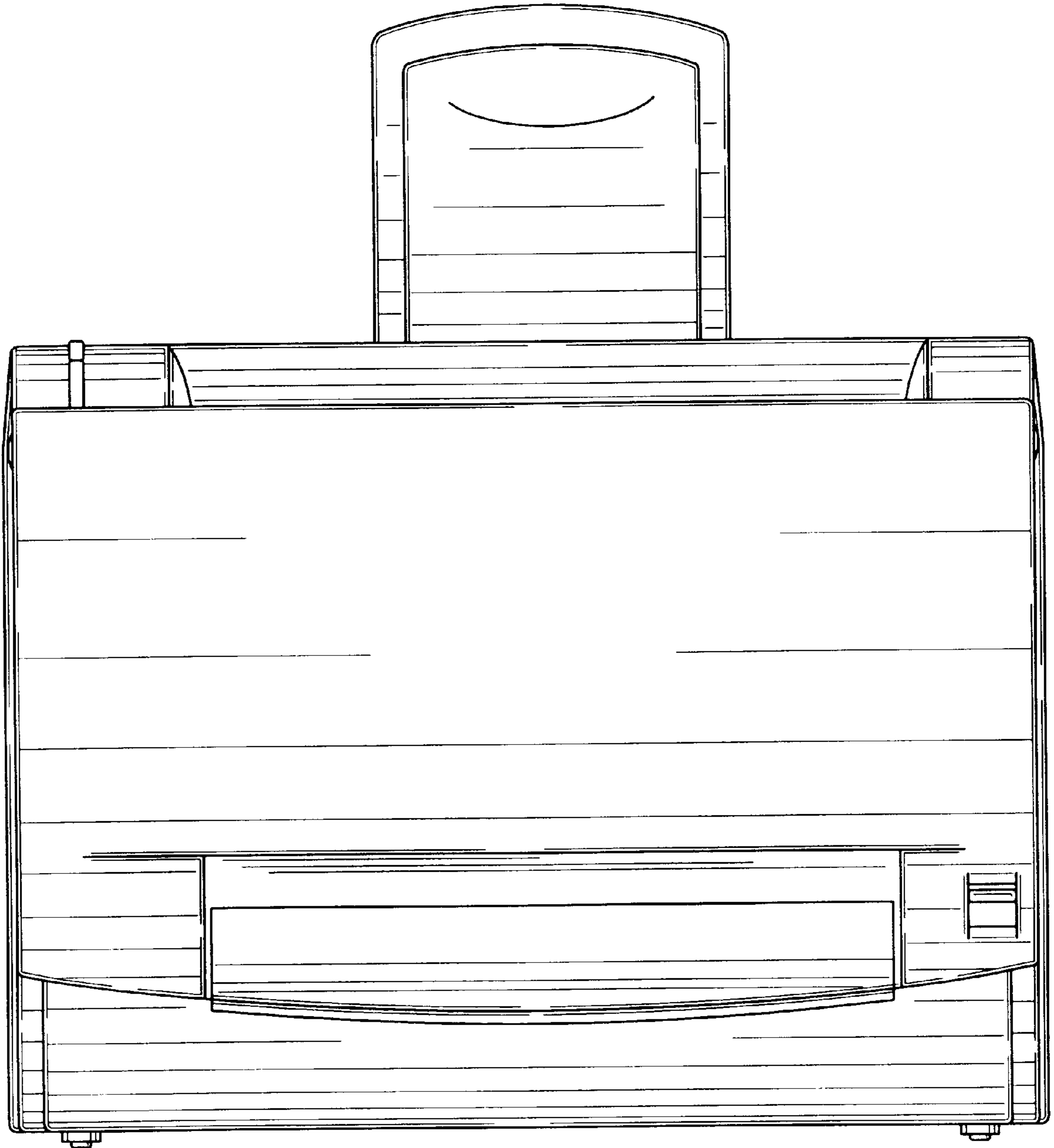
**DESCRIPTION**

FIG. 1 is a front view of a laser beam printer showing my new design;  
 FIG. 2 is a rear view thereof;  
 FIG. 3 is a top plan view thereof;  
 FIG. 4 is a bottom plan view thereof;  
 FIG. 5 is a left side view thereof;  
 FIG. 6 is a right side view thereof; and,  
 FIG. 7 is a perspective view thereof.

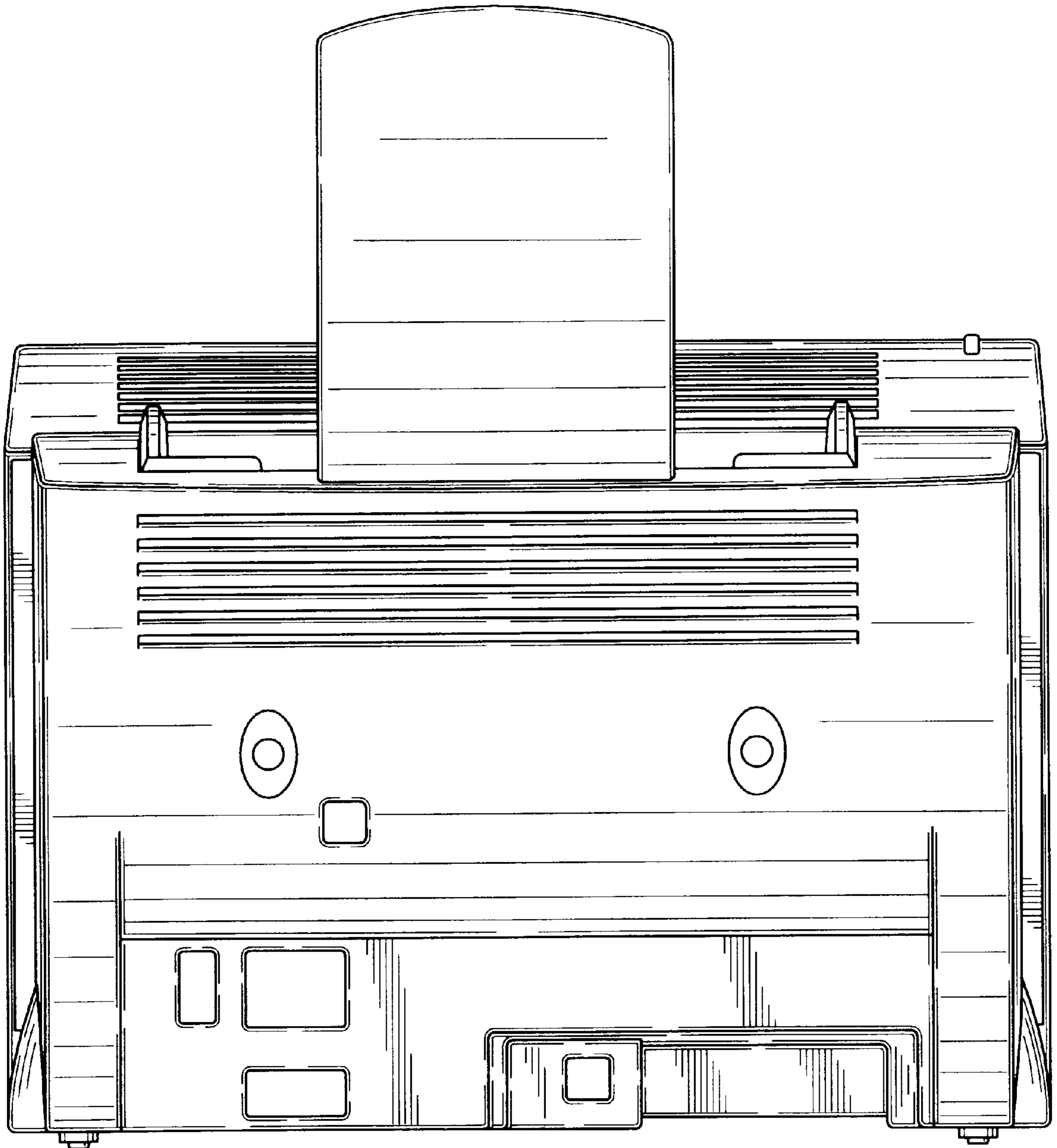
**1 Claim, 7 Drawing Sheets**



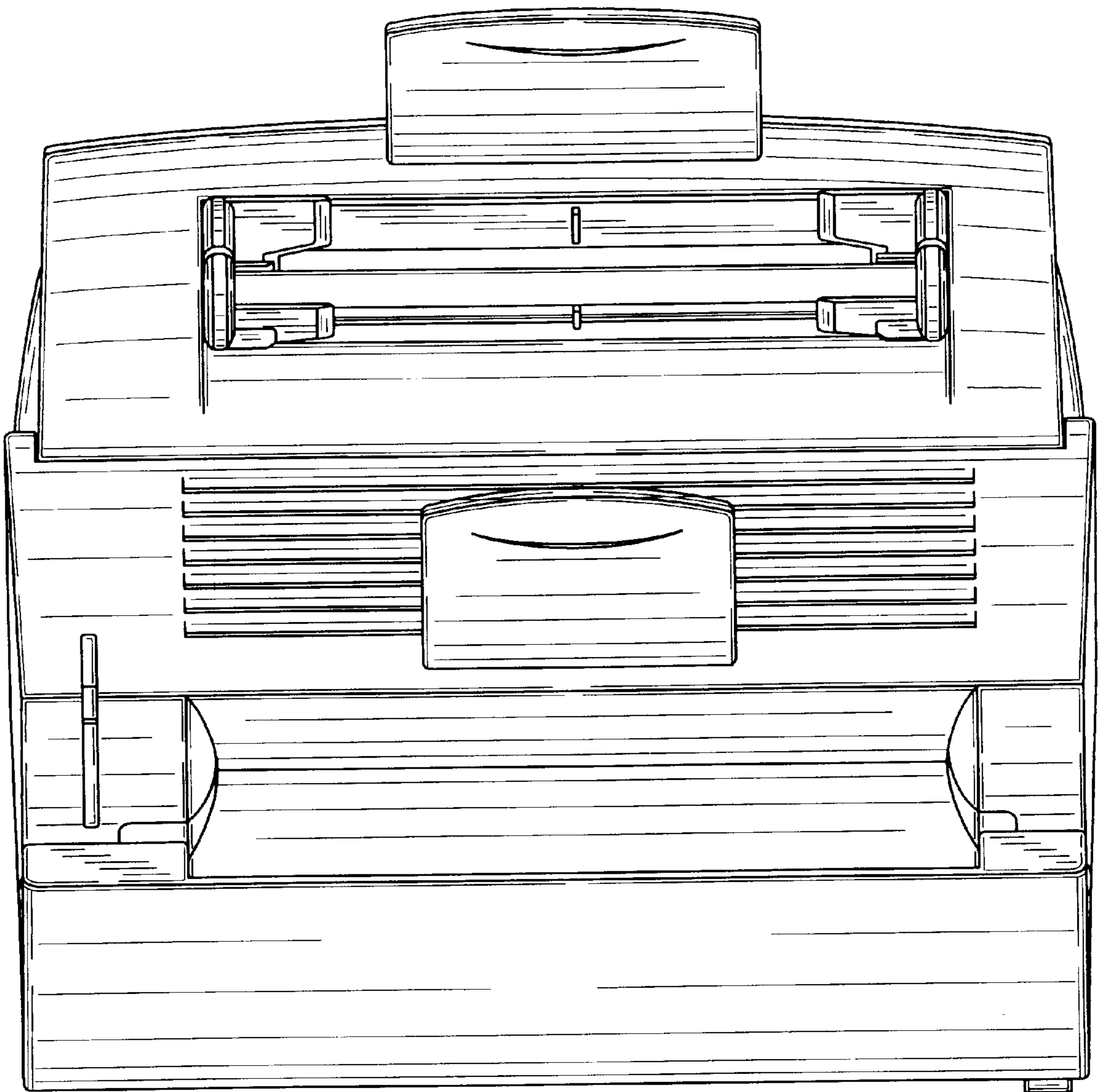
*FIG. 1*



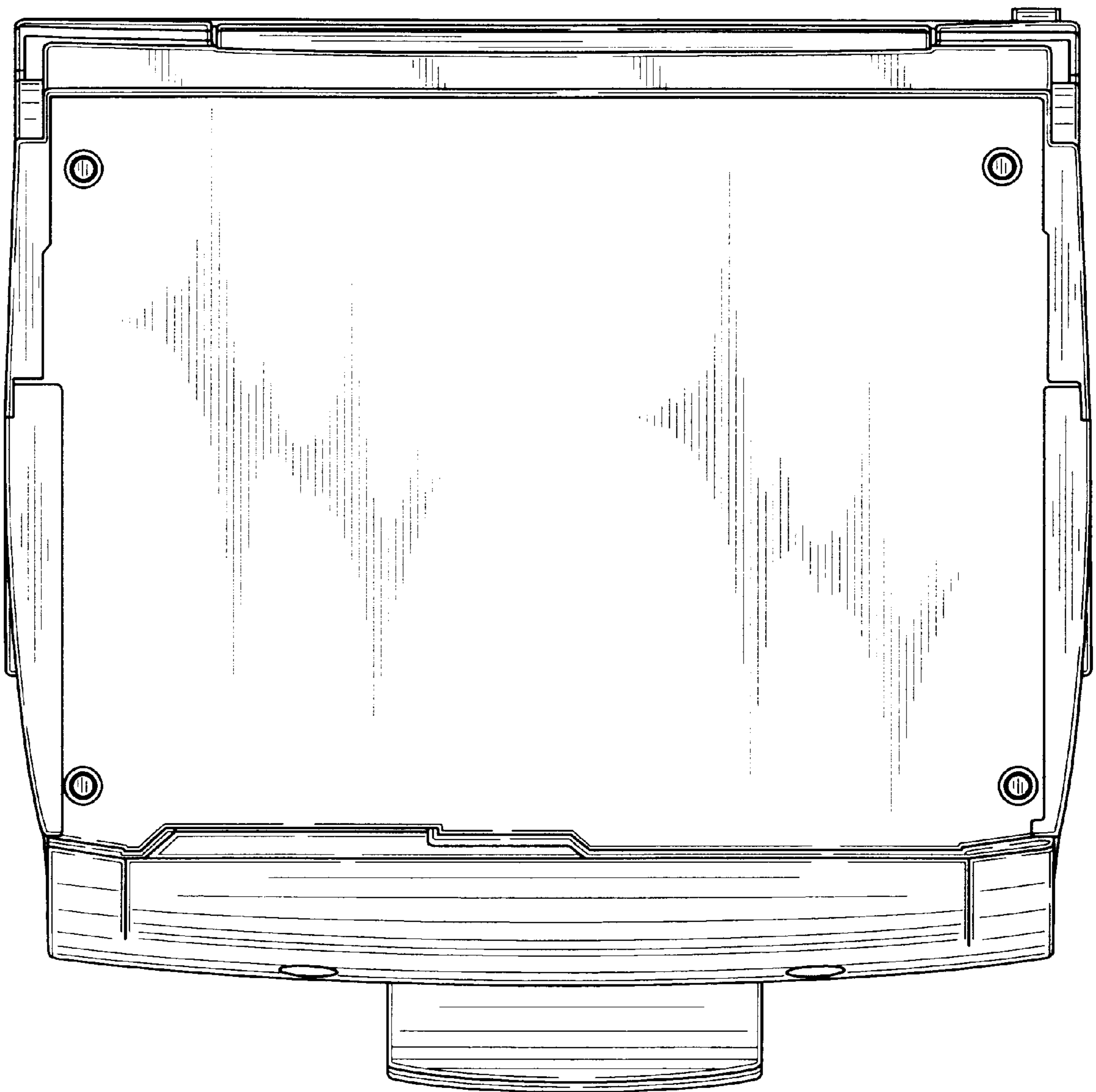
*FIG. 2*



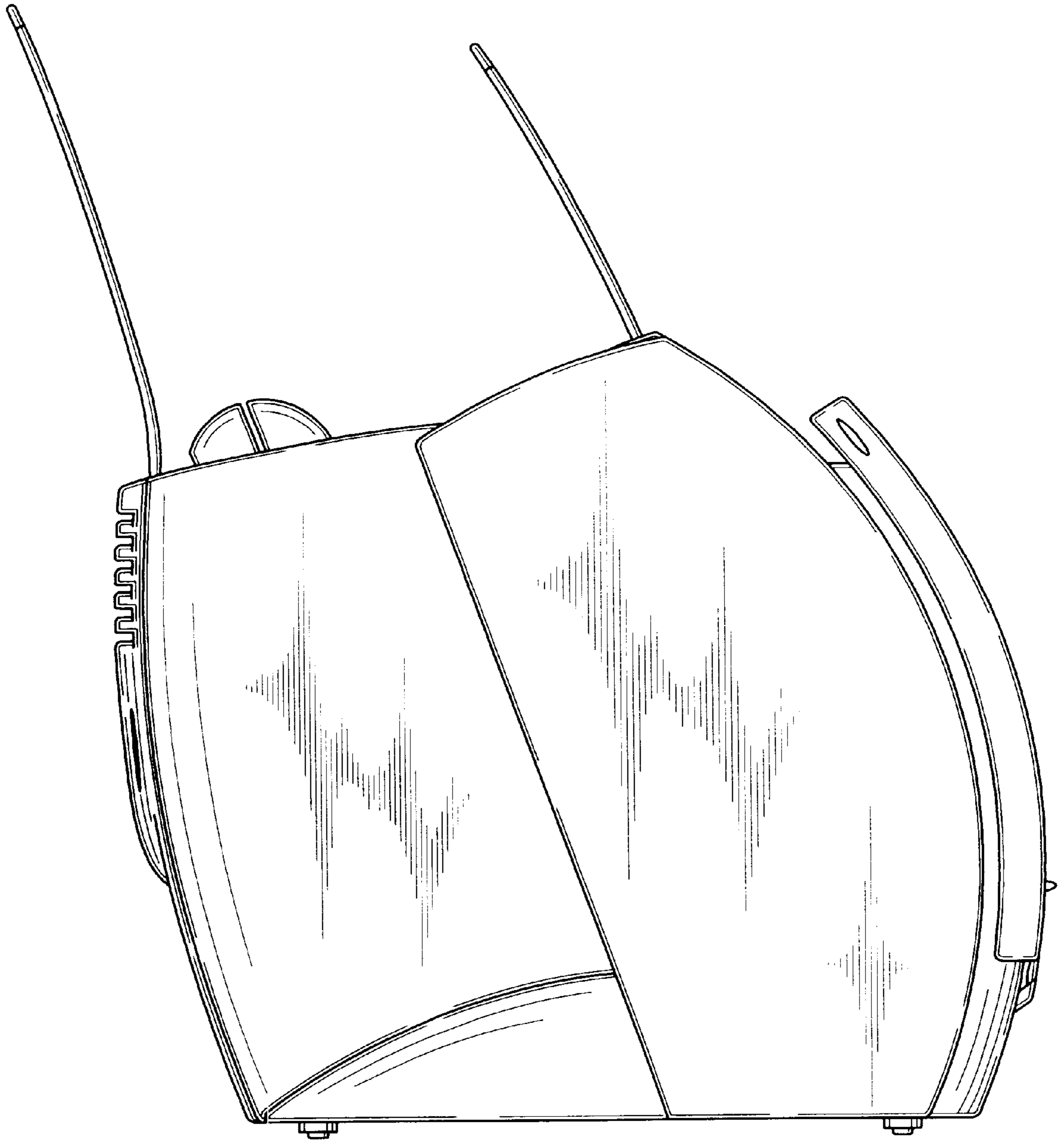
*FIG. 3*



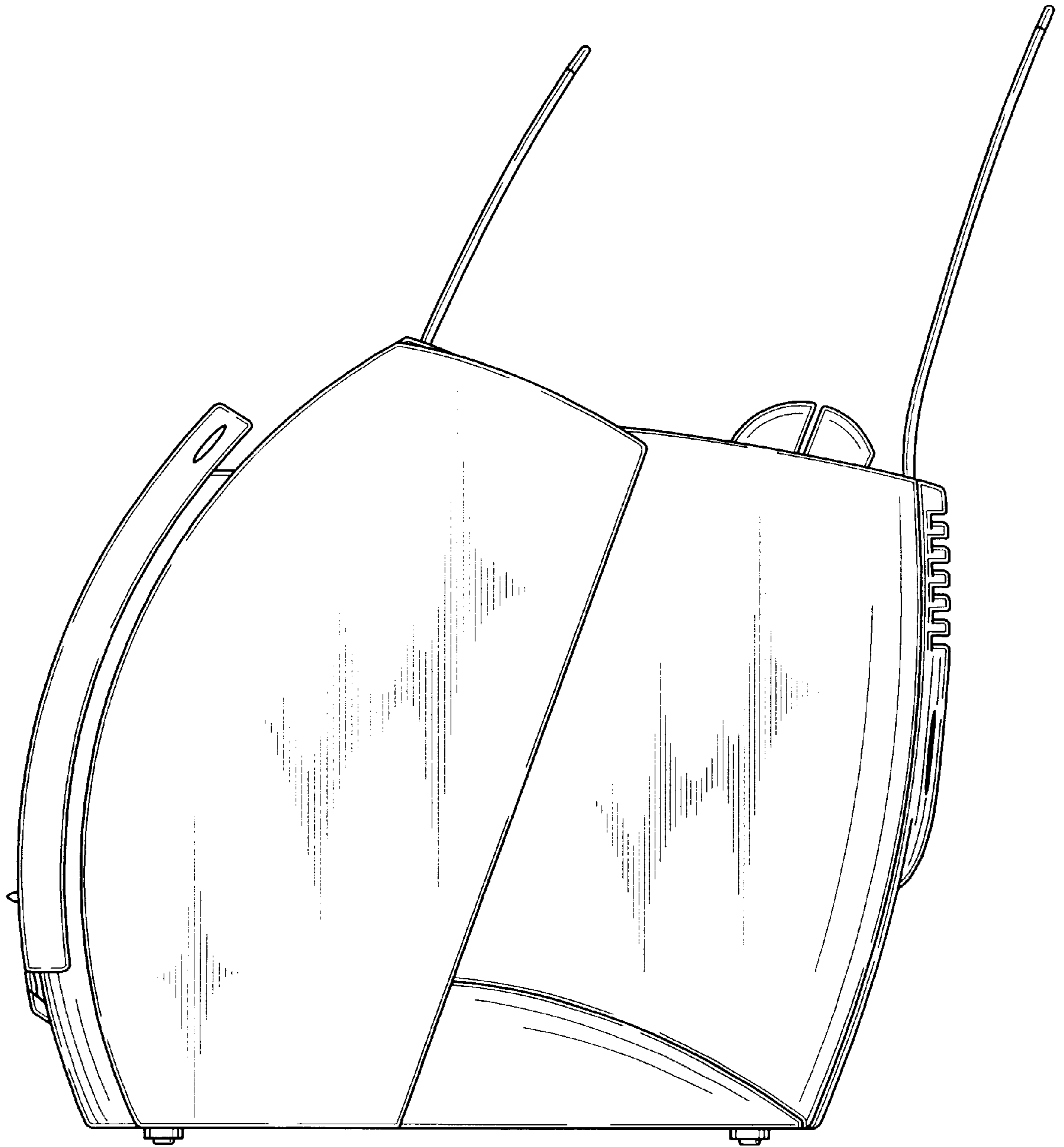
*FIG. 4*



*FIG. 5*



*FIG. 6*



*FIG. 7*

