



US00D439274S

(12) **United States Design Patent**  
**Dwyer et al.**

(10) **Patent No.: US D439,274 S**

(45) **Date of Patent: \*\* \*Mar. 20, 2001**

(54) **INKJET PRINTER WITH PHOTOGRAPHIC MEDIA SUPPLY TRAY, FIXED SHEET FEEDER, AND WINDOW ACCESS DOOR**

(75) Inventors: **Daniel R. Dwyer**, Battle Ground; **Kevin D. O'Hara**, Washougal; **Peter G. Hwang**, Vancouver; **Donald R. Bloyer**, Brush Prairie; **Raymond C. Sherman**, Camas; **Jeffrey G. Bingham**; **Matthew B. Clark**, both of Vancouver, all of WA (US); **Sergio Escobedo**, San Diego, CA (US); **Corlene M. Ankrum**, Vancouver, WA (US); **Eric S. Schuh**, Portland, OR (US); **Todd M. Gaasch**, Vancouver, WA (US)

(73) Assignee: **Hewlett-Packard Company**, Palo Alto, CA (US)

(\*) Notice: This patent is subject to a terminal disclaimer.

(\*\*) Term: **14 Years**

(21) Appl. No.: **29/109,693**

(22) Filed: **Aug. 19, 1999**

(51) **LOC (7) Cl.** ..... **18-02**

(52) **U.S. Cl.** ..... **D18/55**

(58) **Field of Search** ..... D18/50, 54-55;  
400/613, 613.1-613.4, 691-694, 690.1-690.4;  
D14/462

(56) **References Cited**

**U.S. PATENT DOCUMENTS**

- D. 350,364 \* 9/1994 Kawashima et al. .... D18/50
- D. 356,596 \* 3/1995 Dubson et al. .... D18/55
- D. 370,026 5/1996 McGlashan .
- D. 373,378 \* 9/1996 Brown et al. .... D18/55
- D. 373,380 \* 9/1996 Dwyer et al. .... D18/55

- D. 382,894 \* 8/1997 Berriman et al. .... D18/55
- D. 390,257 \* 2/1998 Dwyer et al. .... D18/55
- D. 392,311 \* 3/1998 Takano ..... D18/50
- D. 402,689 12/1998 Brown et al. .
- D. 406,273 \* 3/1999 Dwyer et al. .... D18/55
- D. 428,052 7/2000 Dwyer et al. .
- D. 429,279 8/2000 Dwyer et al. .
- D. 429,759 8/2000 Dwyer et al. .

**OTHER PUBLICATIONS**

Hewlett-Packard Company Design Patent Application filed Aug. 19, 1999, Ser. No. 29/109,692, entitled "Inkjet Printer With A Fold-Up Media Supply Tray".

Hewlett-Packard Company Design Patent Application filed Aug. 19, 1999, Ser. No. 29/109,691, entitled "Inkjet Printer With Fixed Sheet Feeder And Window Access Door".

\* cited by examiner

*Primary Examiner*—Cathy Anne MacCormac

(74) *Attorney, Agent, or Firm*—Flory L. Martin

(57) **CLAIM**

The ornamental design for an inkjet printer with photographic media supply tray, fixed sheet feeder, and window access door, substantially as shown and described.

**DESCRIPTION**

FIG. 1 is a perspective view of an inkjet printer with photographic media supply tray, fixed sheet feeder, and window access door, in accordance with the present invention;

FIG. 2 is a top plan view thereof;

FIG. 3 is a front elevational view thereof;

FIG. 4 is a bottom plan view thereof;

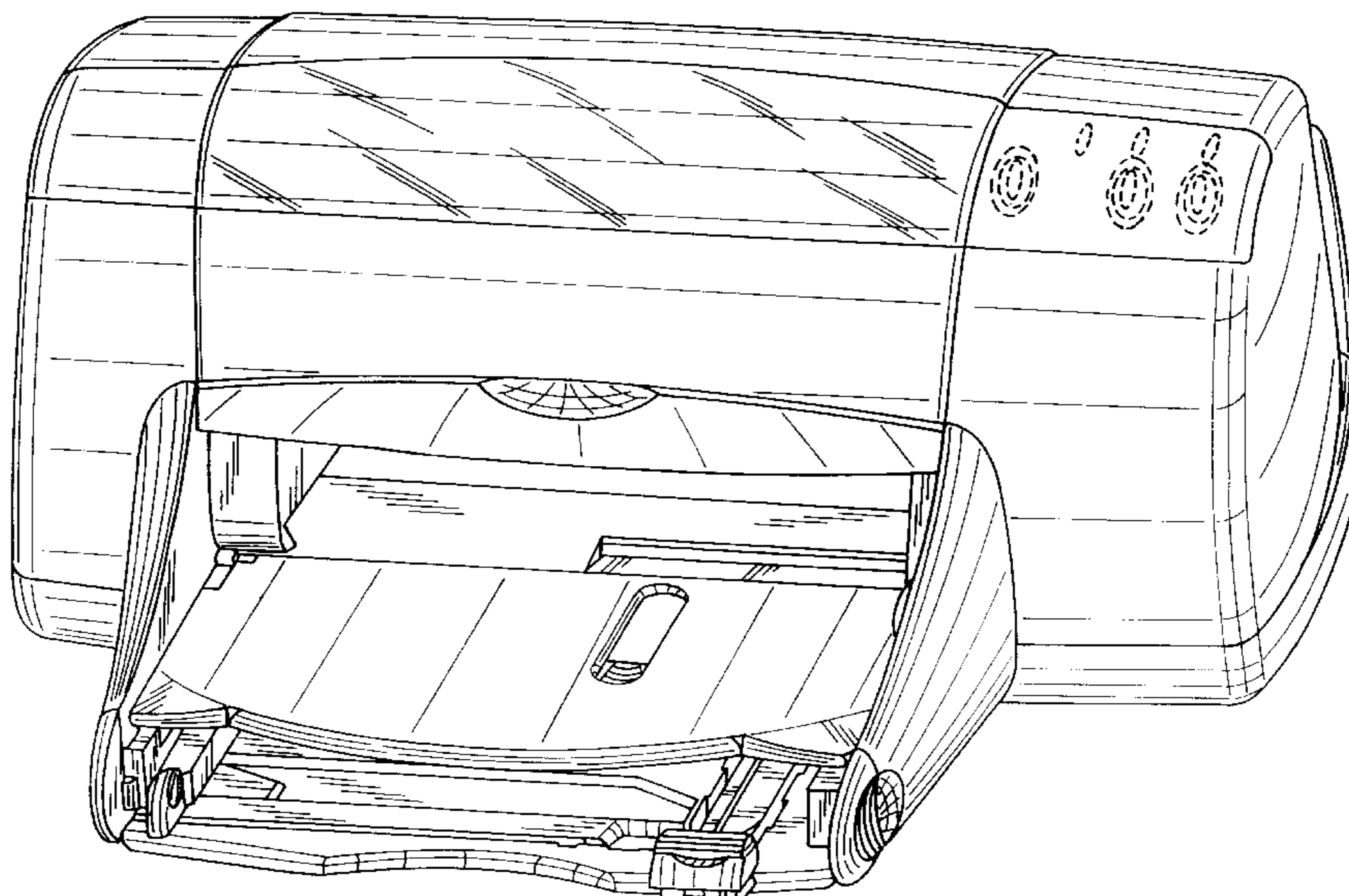
FIG. 5 is a rear elevational view thereof;

FIG. 6 is a left side elevational view thereof; and,

FIG. 7 is a right side elevational view thereof.

The dashed lines in FIGS. 1-3, 5 and 7, are for illustrative purposes only and form no part of the claimed design.

**1 Claim, 6 Drawing Sheets**



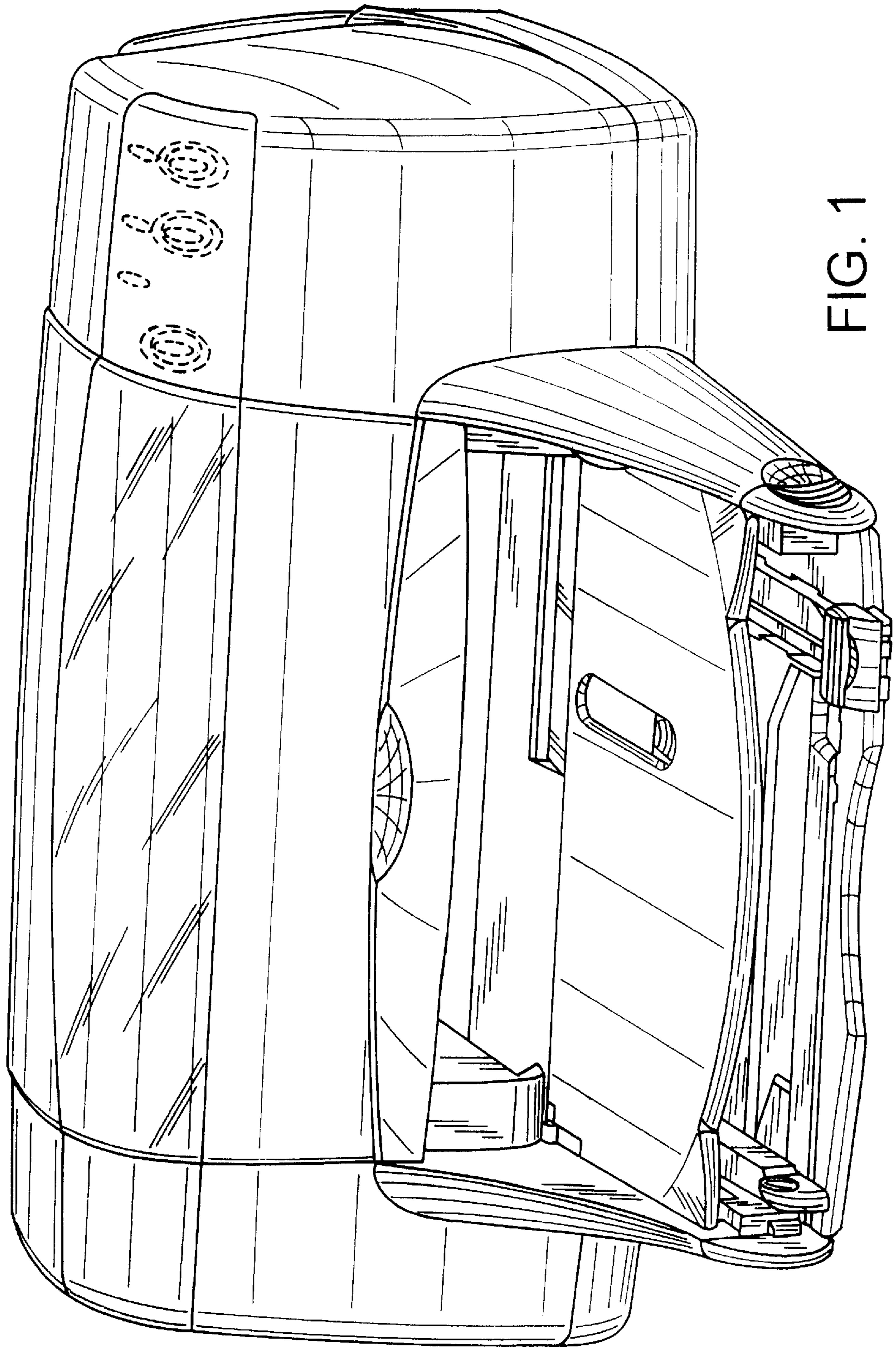


FIG. 1

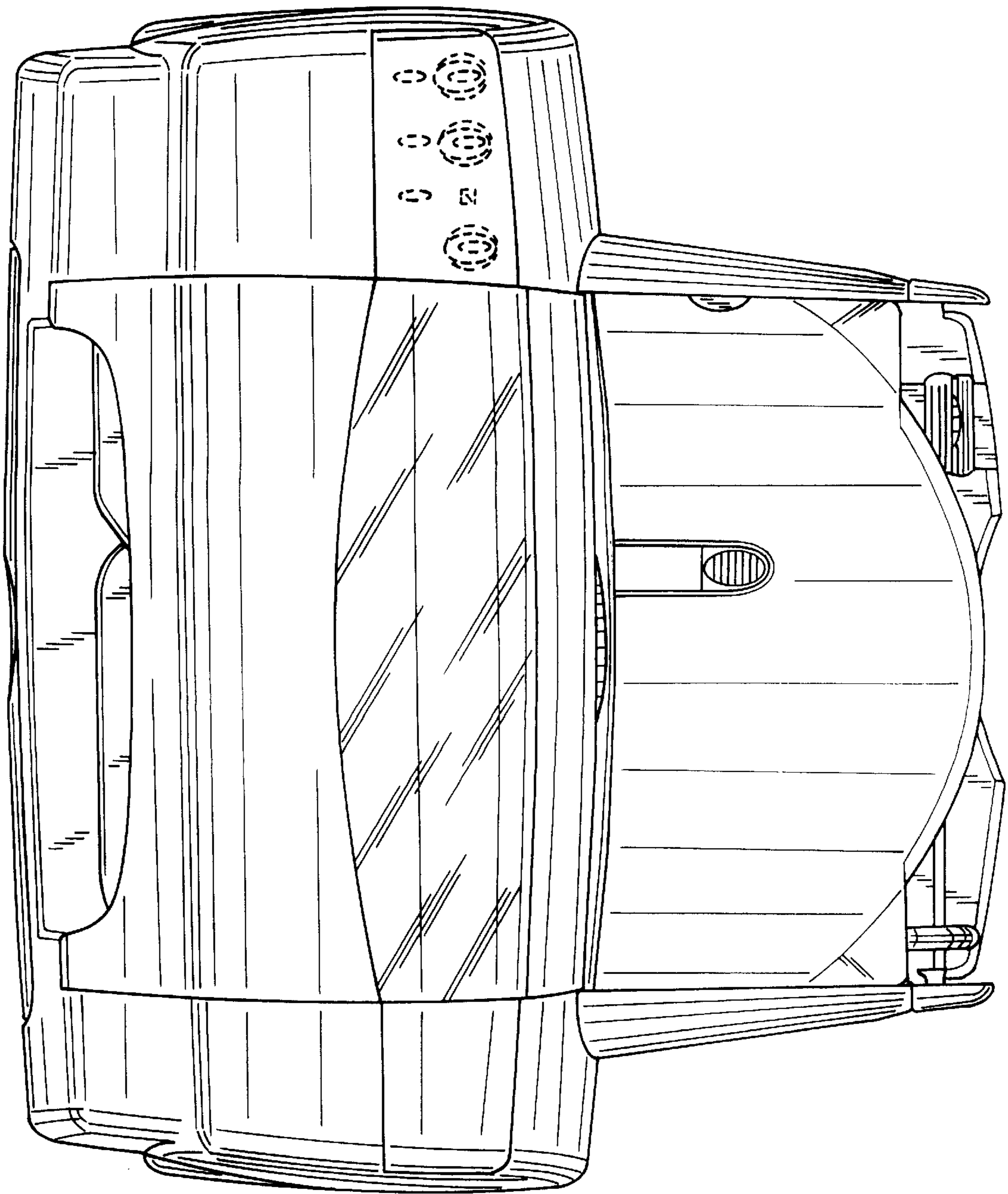


FIG. 2



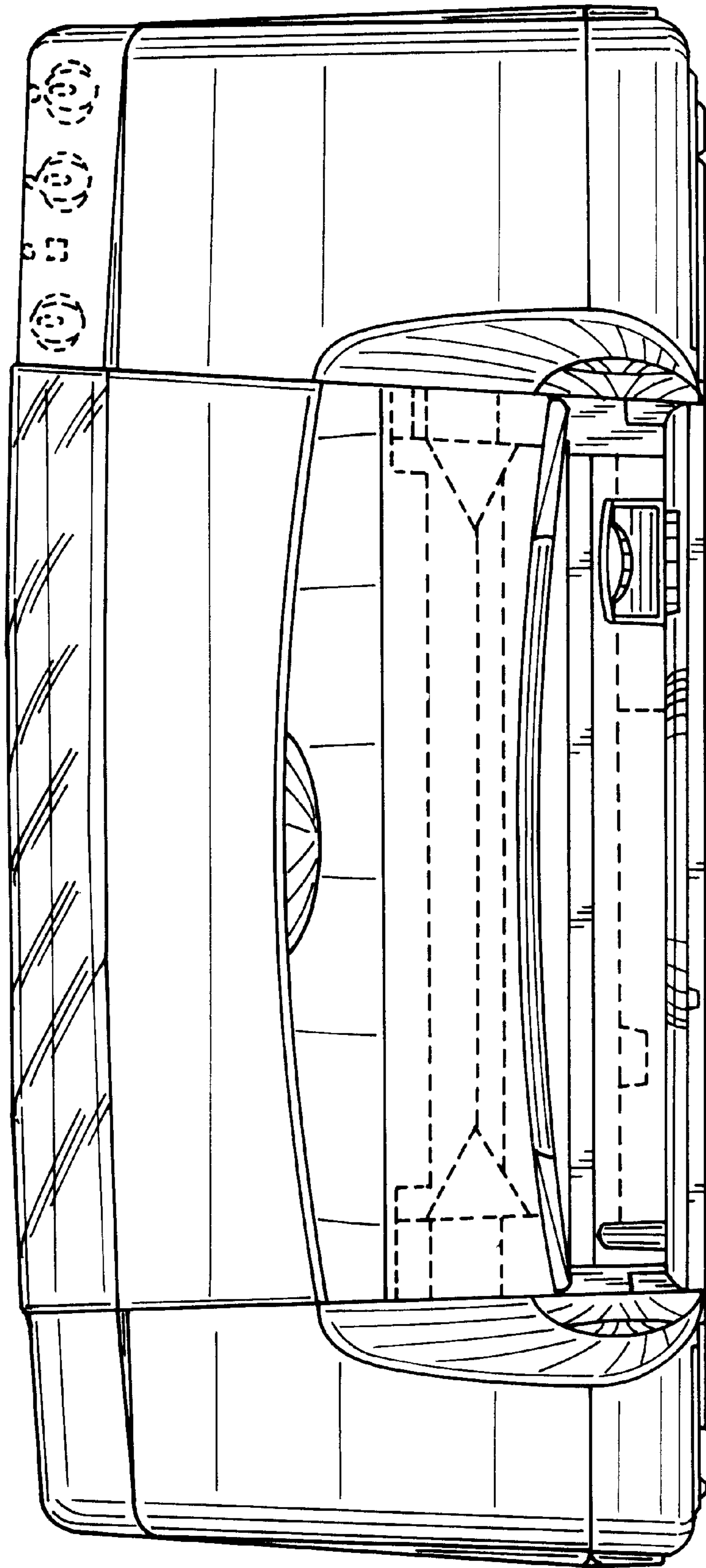


FIG. 3

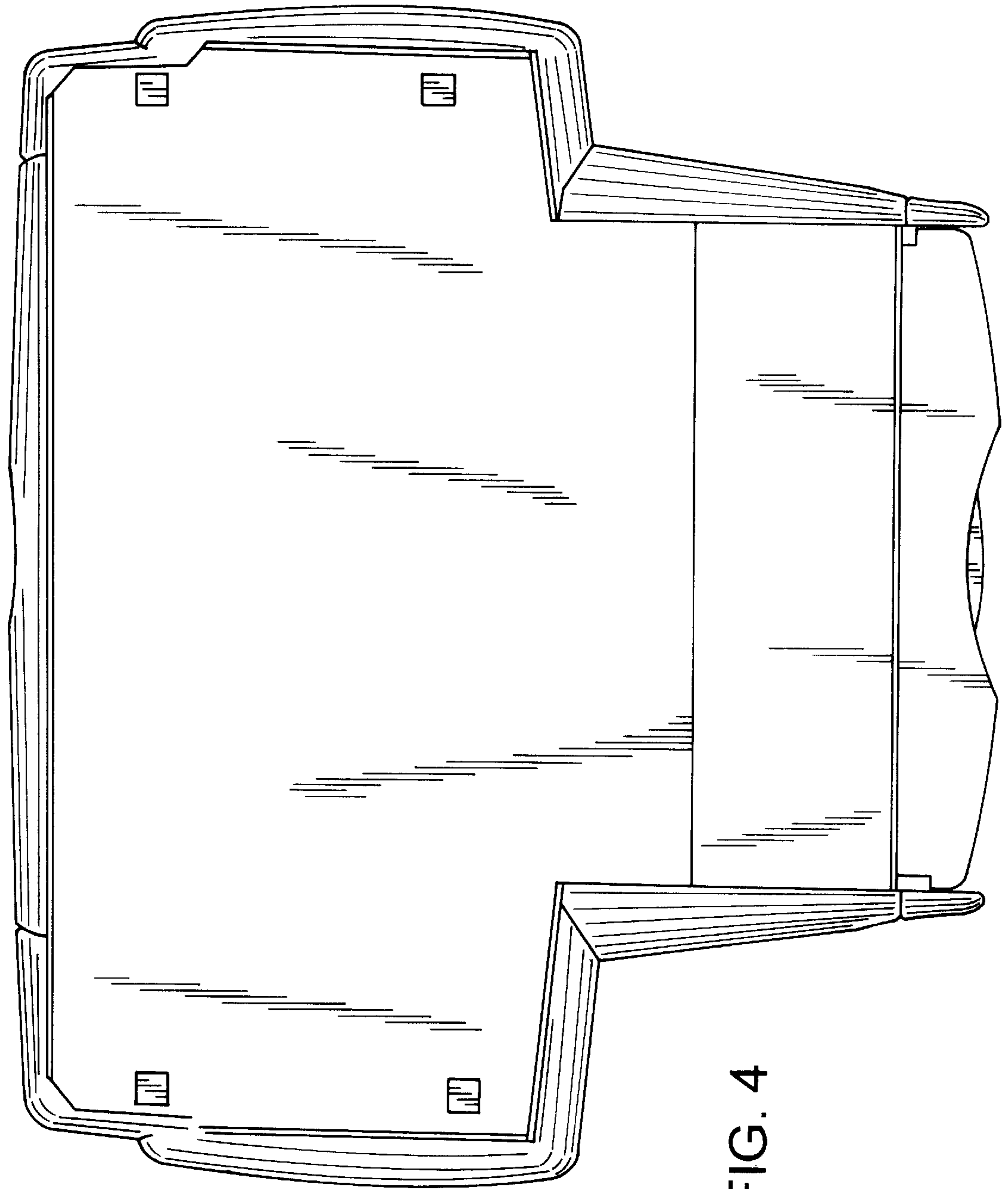


FIG. 4

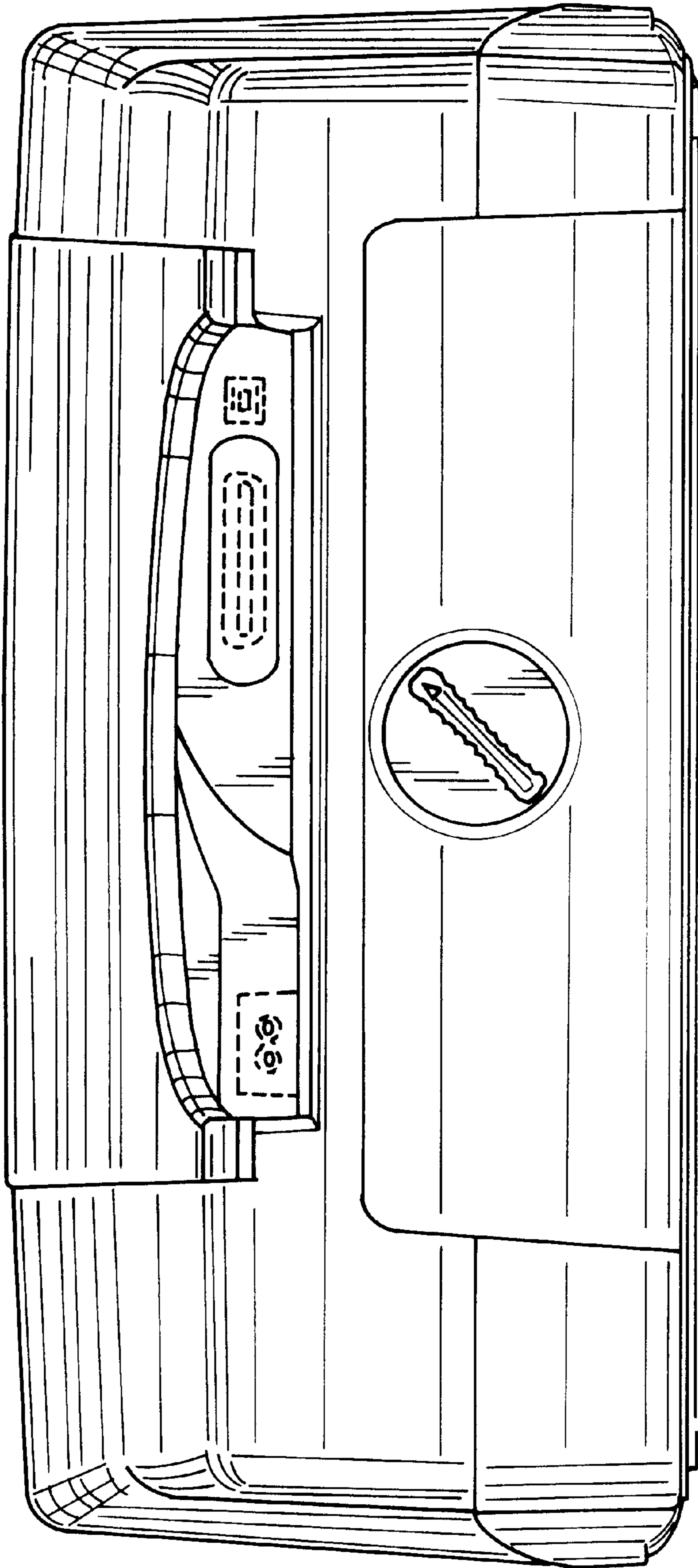


FIG. 5

