



US00D439273S

(12) **United States Design Patent**
Sato et al.

(10) **Patent No.:** **US D439,273 S**

(45) **Date of Patent:** **** Mar. 20, 2001**

(54) **PRINTER FOR ELECTRIC CASH REGISTER**

(75) Inventors: **Shigeru Sato**, Yokohama; **Katsuhiro Yoshida**, Akishima, both of (JP)

(73) Assignee: **Toshiba Tec Kabushiki Kaisha**, Tokyo (JP)

(**) Term: **14 Years**

(21) Appl. No.: **29/116,447**

(22) Filed: **Jan. 4, 2000**

(30) **Foreign Application Priority Data**

Aug. 5, 1999 (JP) 11-21048

(51) **LOC (7) Cl.** **14-02**

(52) **U.S. Cl.** **D18/54.1**

(58) **Field of Search** D18/50, 53-55,
D18/36-39, 4.1-4.6; 400/613, 613.1-613.4,
691-694, 690.1-690.4; D14/462-470

(56) **References Cited**

U.S. PATENT DOCUMENTS

- D. 216,161 * 11/1969 Bellini D18/36
- D. 292,405 * 10/1987 Kitani et al. D18/54
- D. 307,439 * 4/1990 Doi D18/55
- D. 317,322 * 6/1991 Richardson et al. D18/54
- D. 343,190 * 1/1994 Ishizawa et al. D18/50
- D. 343,409 * 1/1994 Kobayashi D18/50

- D. 355,437 * 2/1995 Reph D18/50
- D. 358,826 * 5/1995 Kuhns D18/50
- D. 361,588 * 8/1995 Chiu D18/4.1
- D. 374,887 * 10/1996 Takahashi D18/50
- D. 401,964 * 12/1998 Lardant et al. D18/50
- D. 409,232 * 5/1999 Kim D18/50
- D. 415,789 * 10/1999 Lardant D18/50
- D. 424,100 * 5/2000 Hesselbach D18/50
- 5,397,190 * 3/1995 Iida D18/50

* cited by examiner

Primary Examiner—Cathy Anne MacCormac

(74) *Attorney, Agent, or Firm*—Oblon, Spivak, McClelland, Maier & Neustadt, P.C.

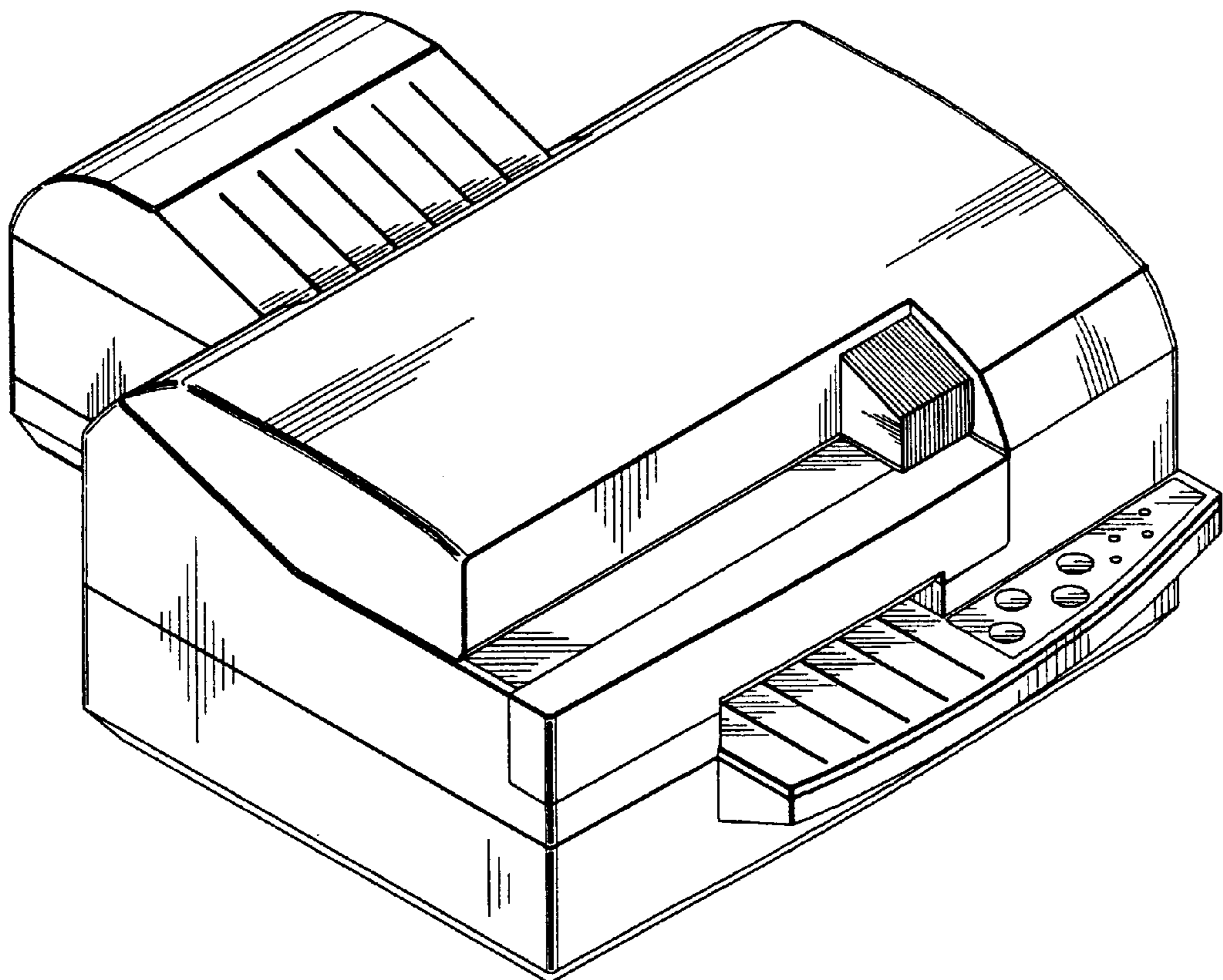
(57) **CLAIM**

The ornamental design for a printer for electric cash register, as shown and described.

DESCRIPTION

FIG. 1 is a top, left and front perspective view of a printer for electric cash register, showing our design;
 FIG. 2 is a front elevational view thereof;
 FIG. 3 is a rear elevational view thereof;
 FIG. 4 is a top plan view thereof;
 FIG. 5 is a bottom view thereof;
 FIG. 6 is a left side elevational view thereof; and,
 FIG. 7 is a right side elevational view thereof.

1 Claim, 4 Drawing Sheets



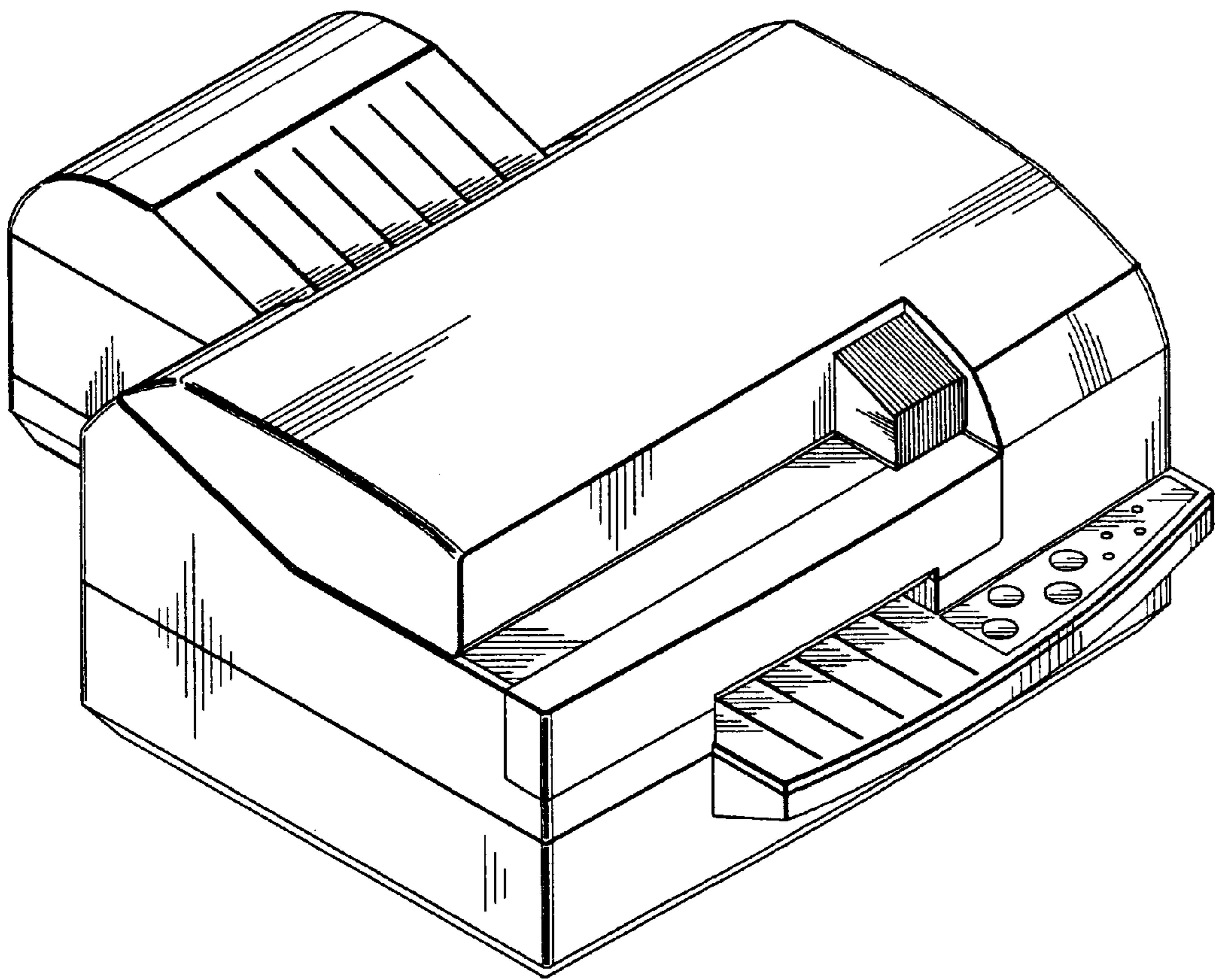


FIG. 1

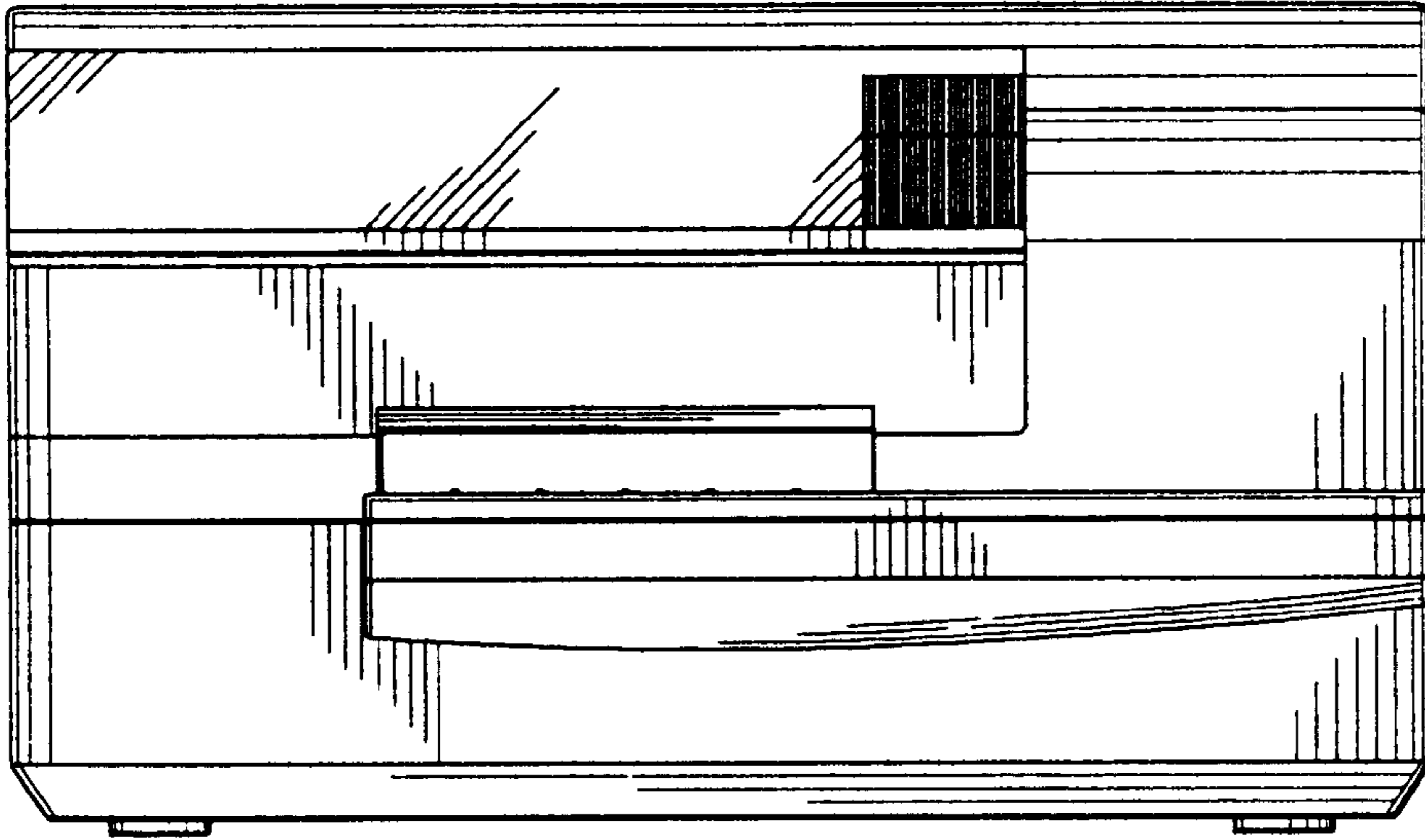


FIG. 2

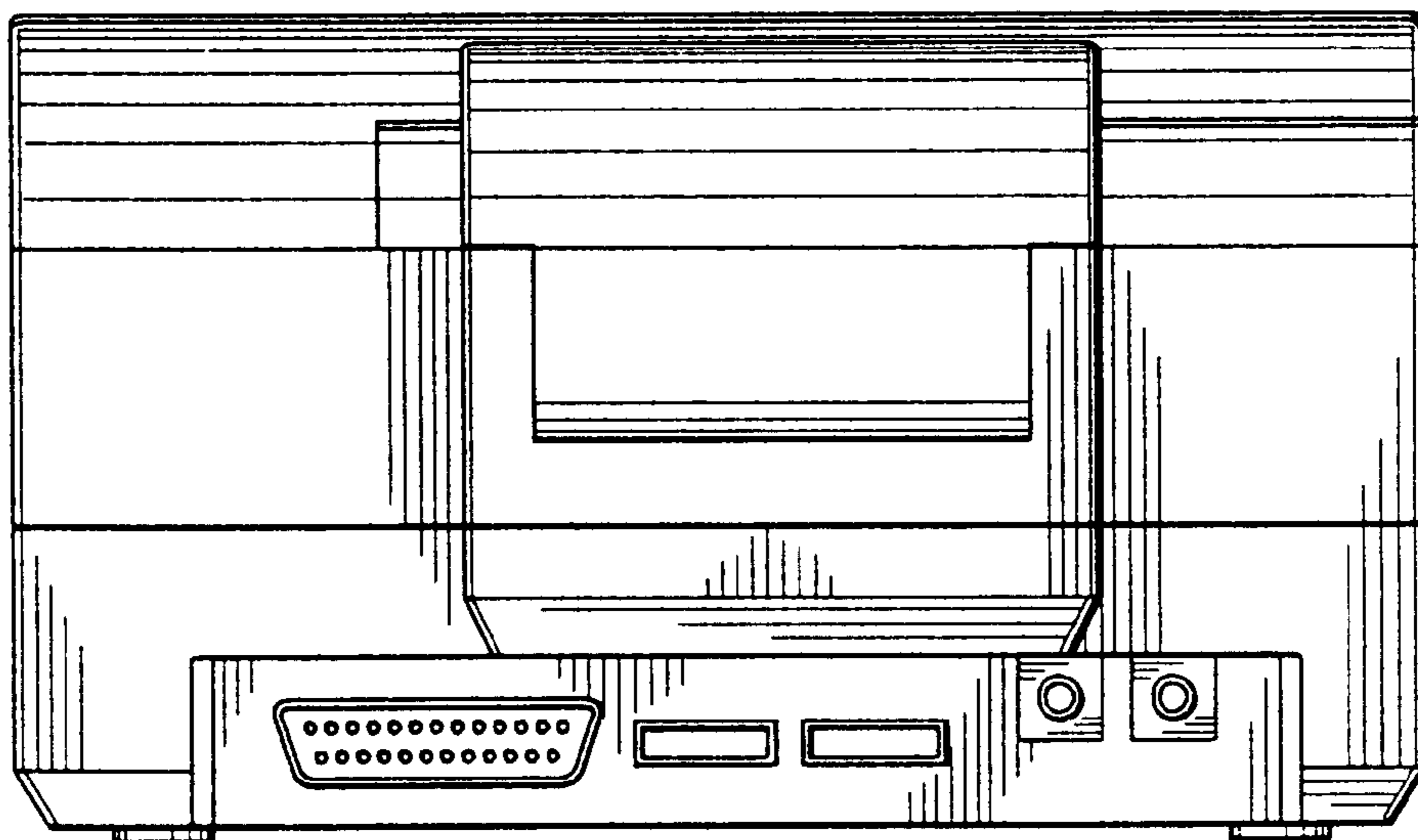


FIG. 3

FIG. 4

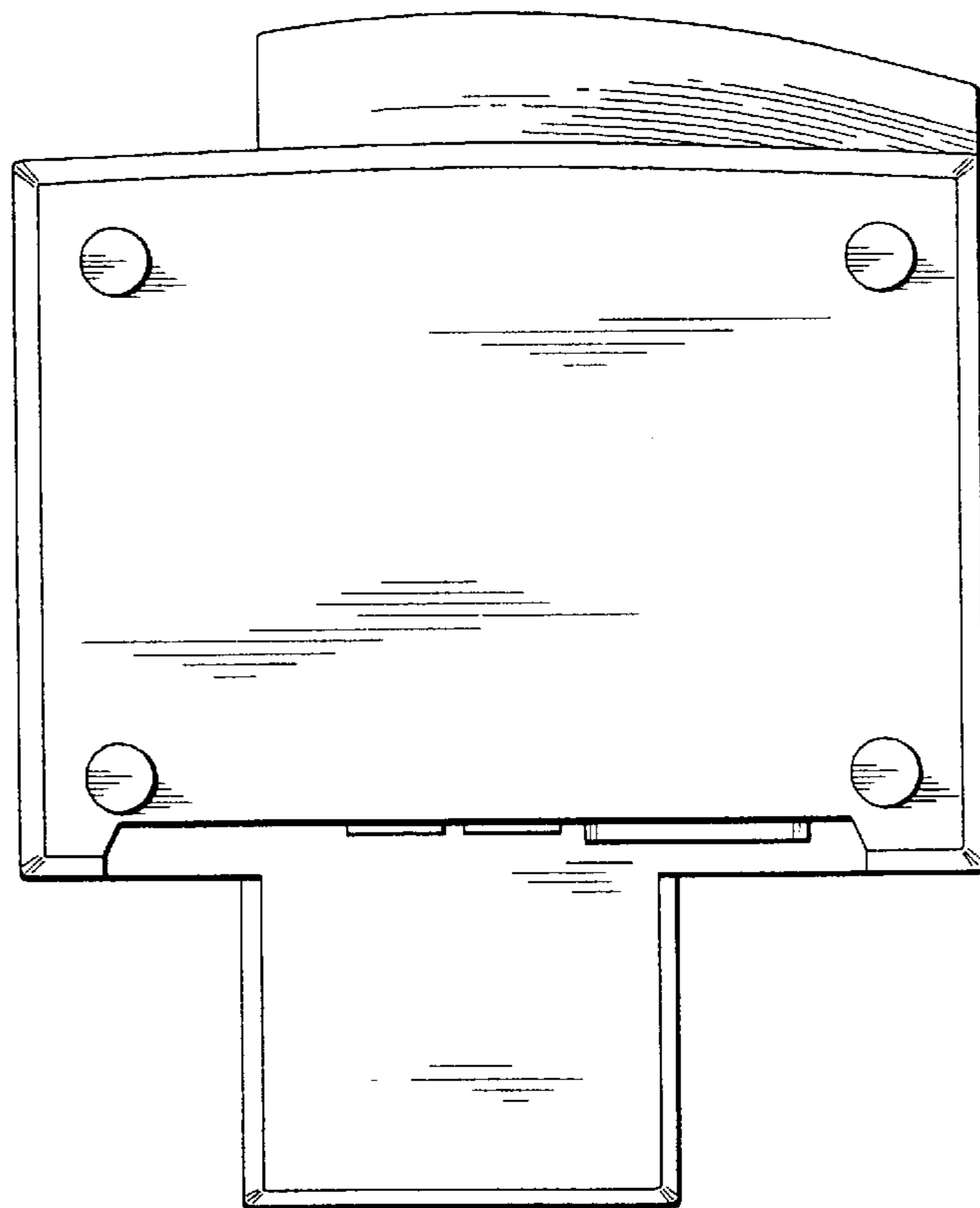
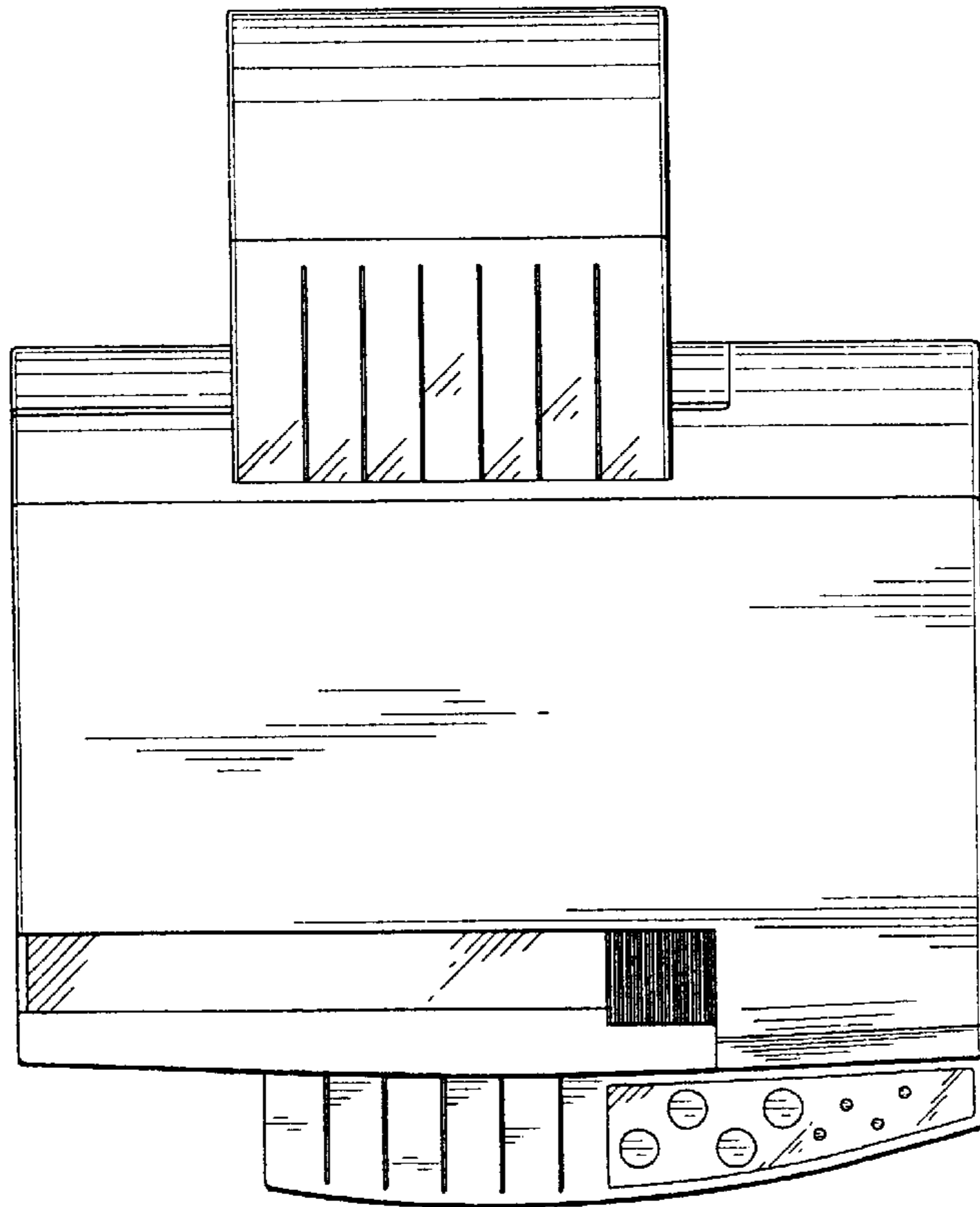


FIG. 5

FIG. 6

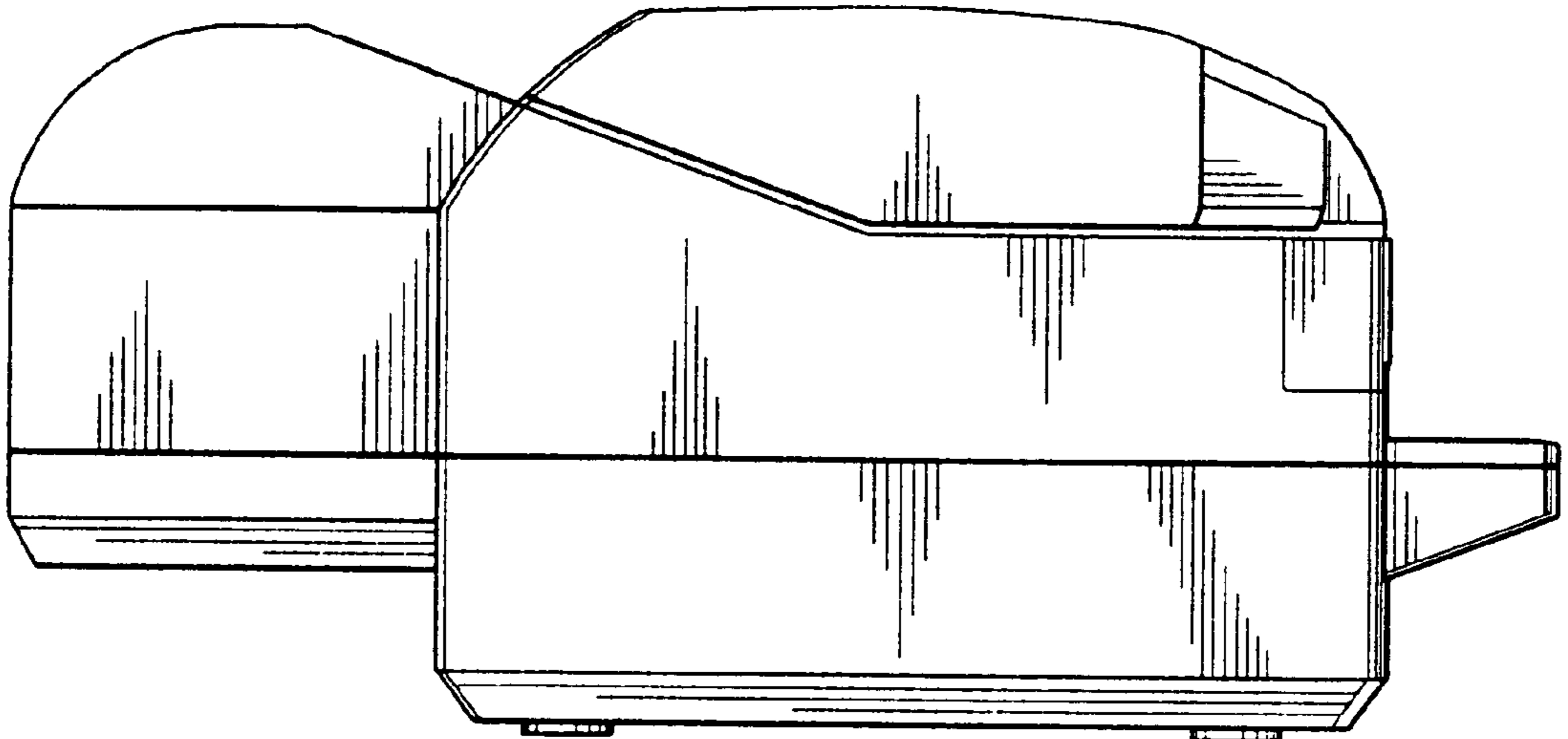


FIG. 7

