



US00D439271S

(12) **United States Design Patent**  
**Takimura**

(10) **Patent No.:** **US D439,271 S**

(45) **Date of Patent:** **\*\* Mar. 20, 2001**

(54) **ELECTRONIC COPIER**

D. 390,256 \* 2/1998 Shibata ..... D18/39  
D. 423,558 \* 4/2000 Takimura ..... D18/39

(75) Inventor: **Ryo Takimura**, Tokyo (JP)

\* cited by examiner

(73) Assignee: **Konica Corporation**, Tokyo (JP)

*Primary Examiner*—Caron D. Veynar

(\*\*) Term: **14 Years**

(74) *Attorney, Agent, or Firm*—Frishauf, Holtz, Goodman, Langer & Chick, P.C.

(21) Appl. No.: **29/127,032**

(57) **CLAIM**

(22) Filed: **Jul. 25, 2000**

The ornamental design for an electronic copier, as shown.

(30) **Foreign Application Priority Data**

**DESCRIPTION**

Jan. 27, 2000 (JP) ..... 2000-001050

FIG. 1 is a front elevational view of an electronic copier showing my new design;

(51) **LOC (7) Cl.** ..... **16-03**

FIG. 2 is a rear elevational view thereof;

(52) **U.S. Cl.** ..... **D18/39**

FIG. 3 is a top plan view thereof;

(58) **Field of Search** ..... D18/36-39; 399/1-7,  
399/130, 151, 411

FIG. 4 is a bottom plan view thereof;

FIG. 5 is a right side elevational view thereof;

FIG. 6 is a left side elevational view thereof;

(56) **References Cited**

**U.S. PATENT DOCUMENTS**

D. 362,457 \* 9/1995 Shimizu ..... D18/39

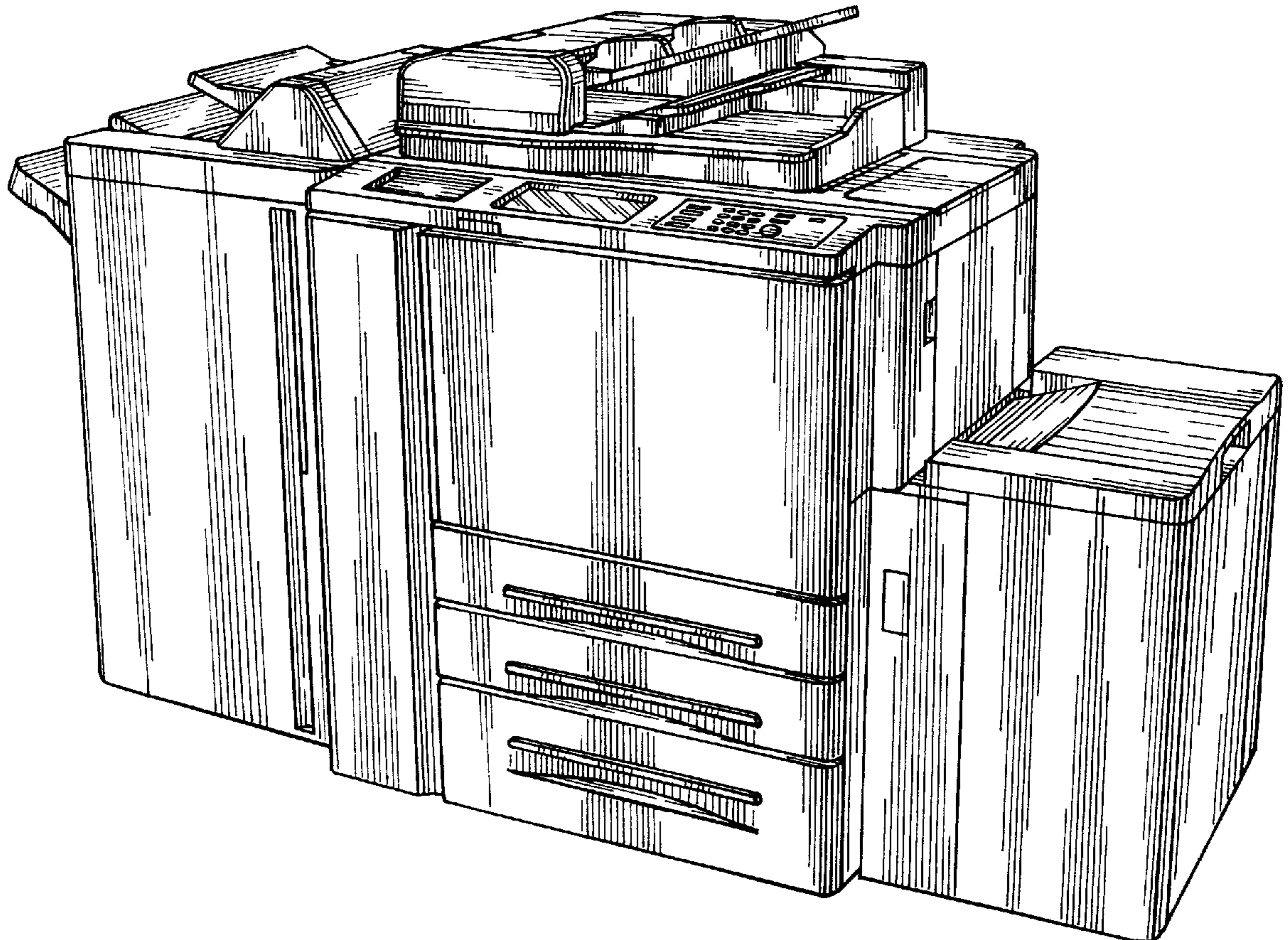
D. 374,248 \* 10/1996 Agata et al. .... D18/39

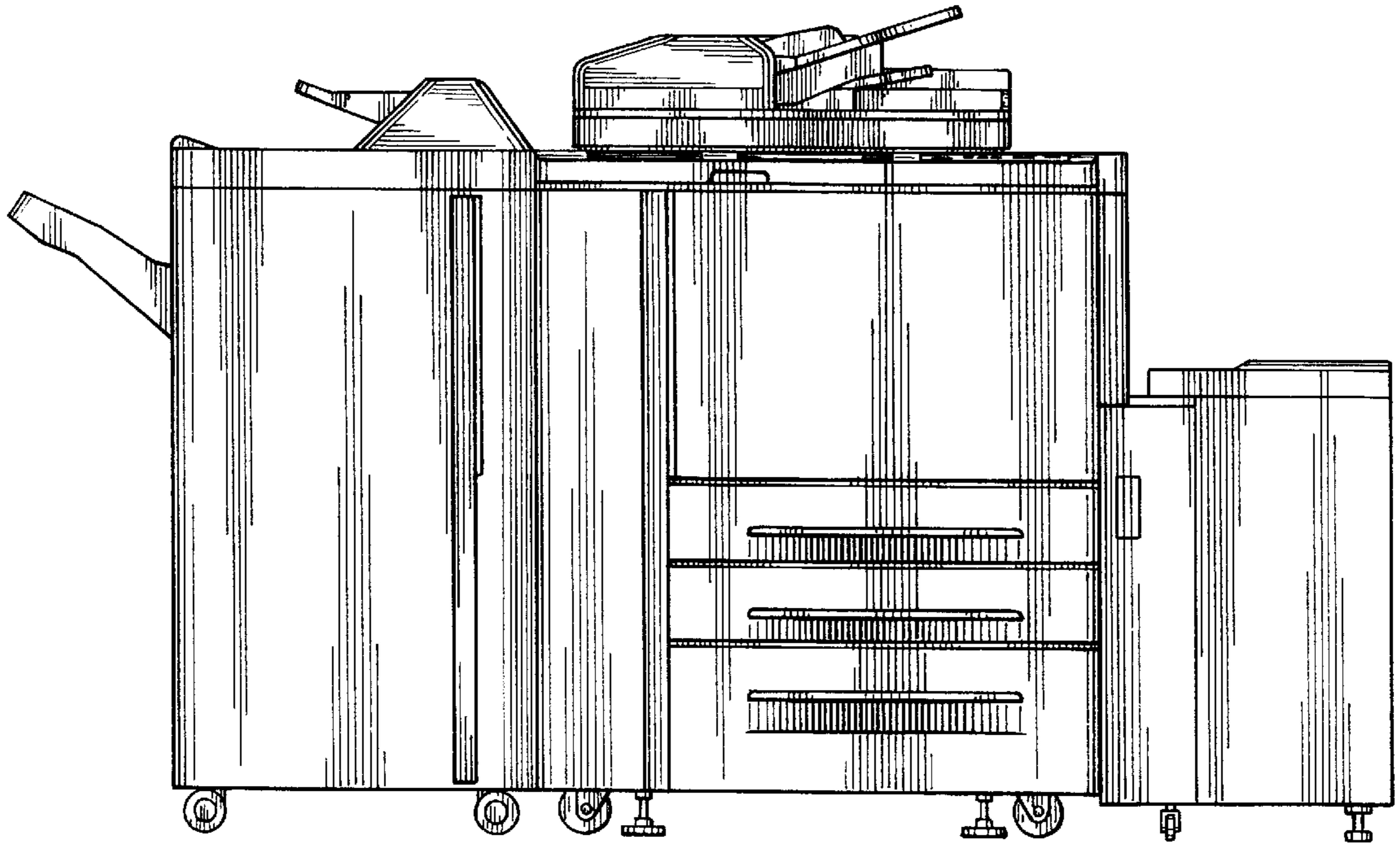
D. 384,692 \* 10/1997 Takenouchi ..... D18/39

FIG. 7 is a front, right side and top perspective view thereof; and,

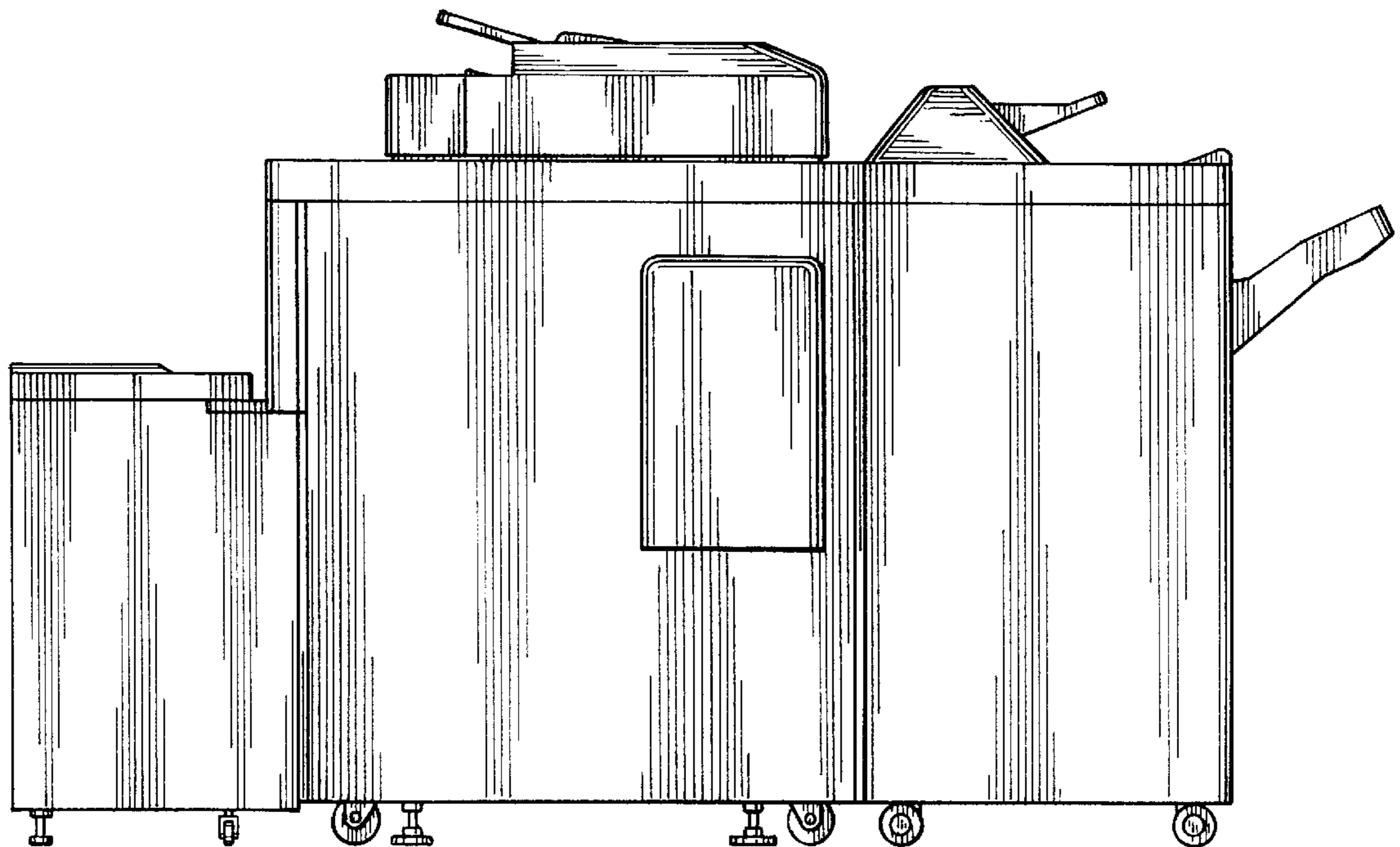
FIG. 8 is a front, left side and top perspective view thereof.

**1 Claim, 4 Drawing Sheets**

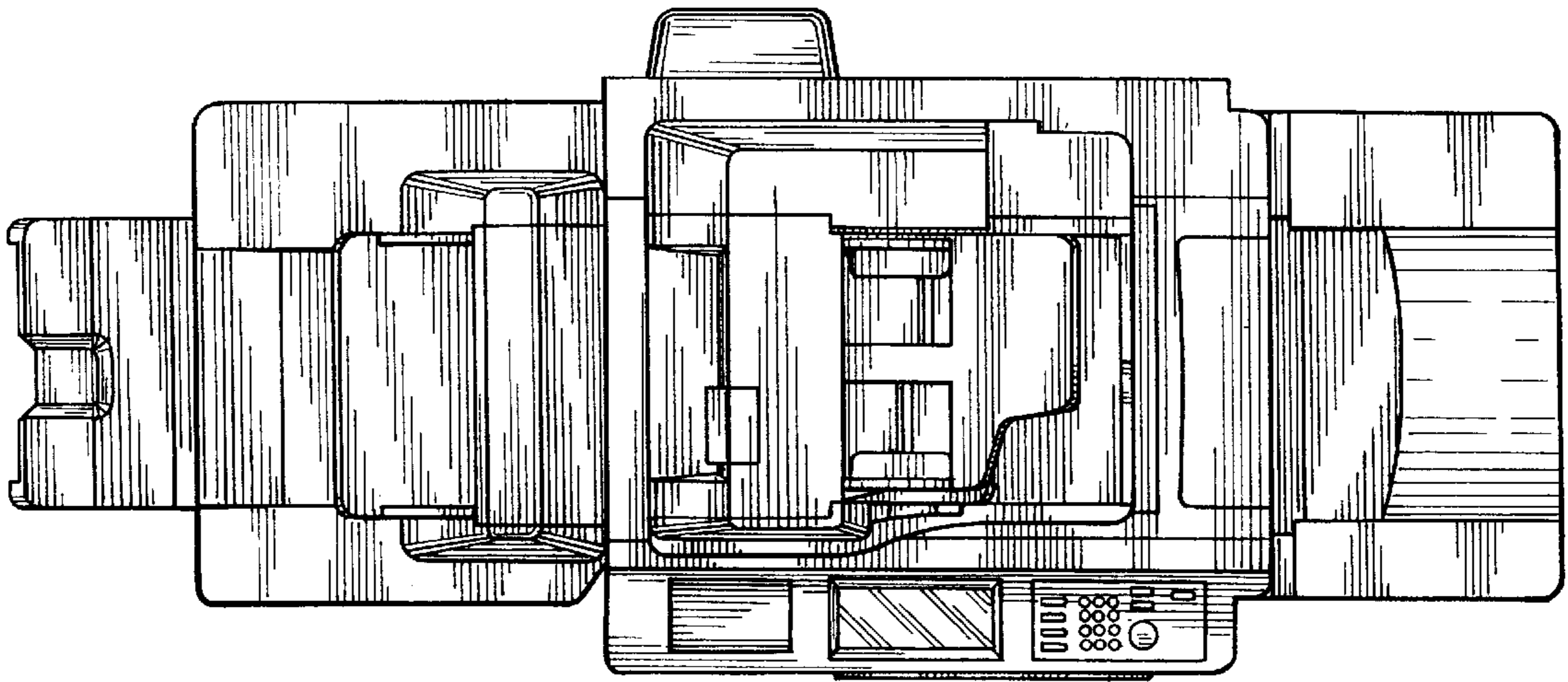




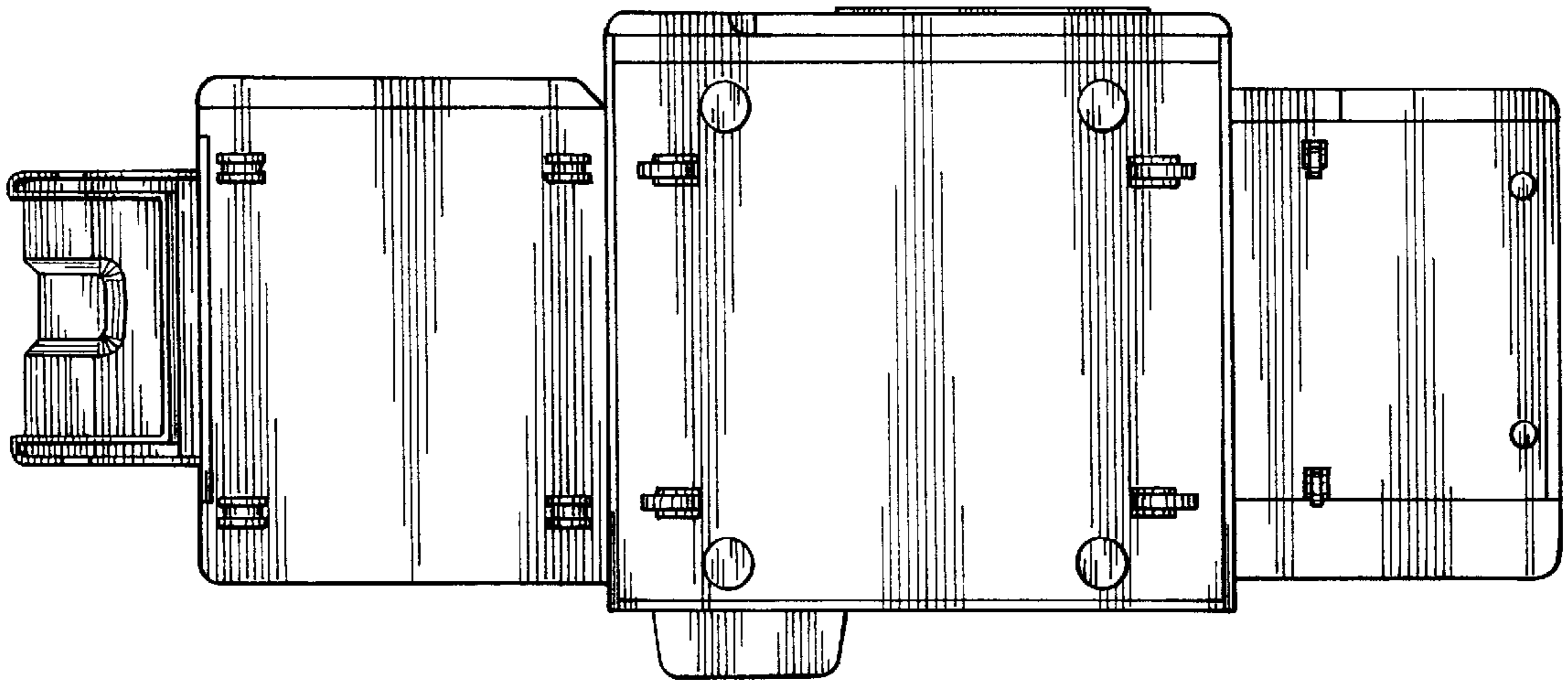
*Fig. 1*



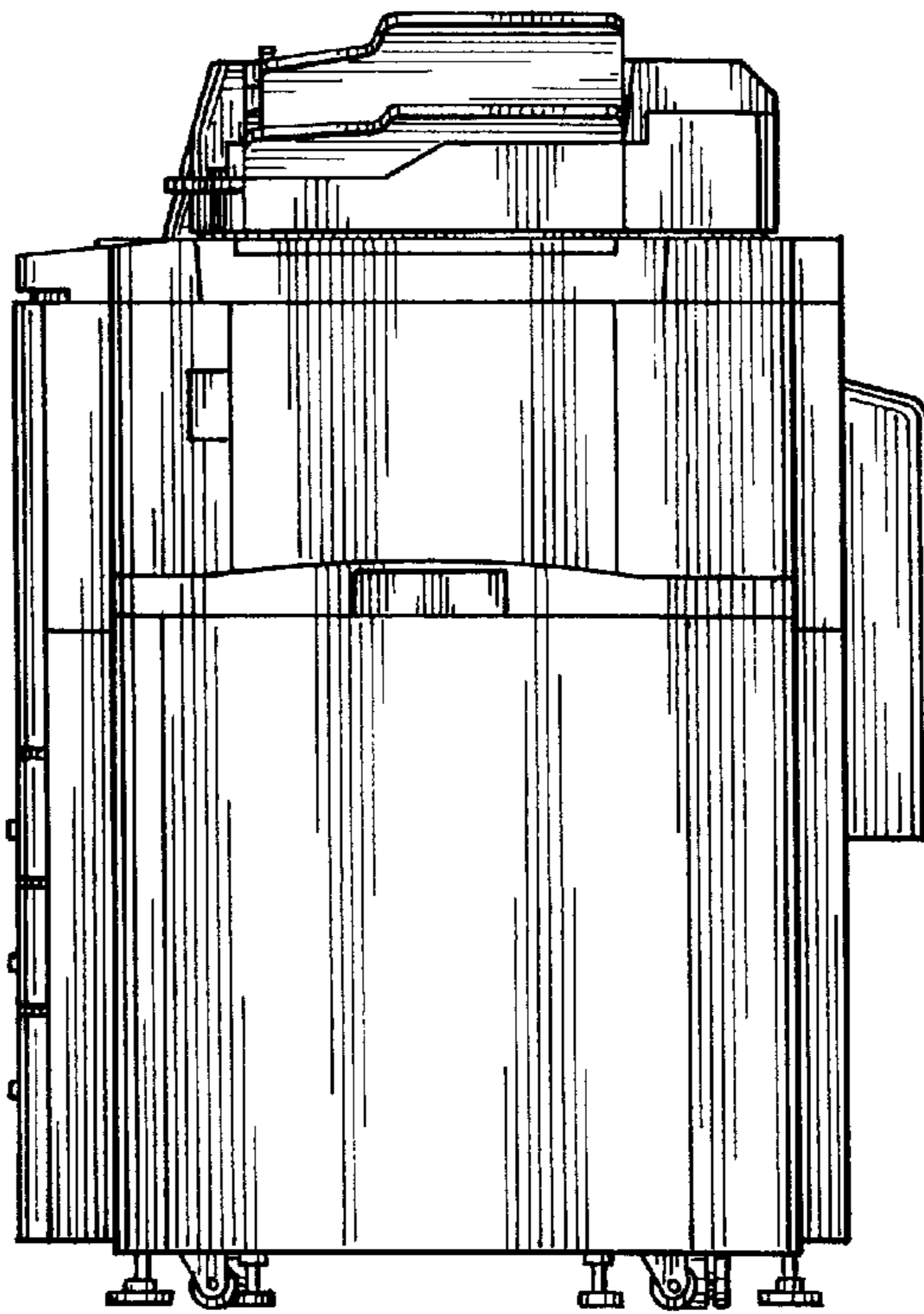
*Fig. 2*



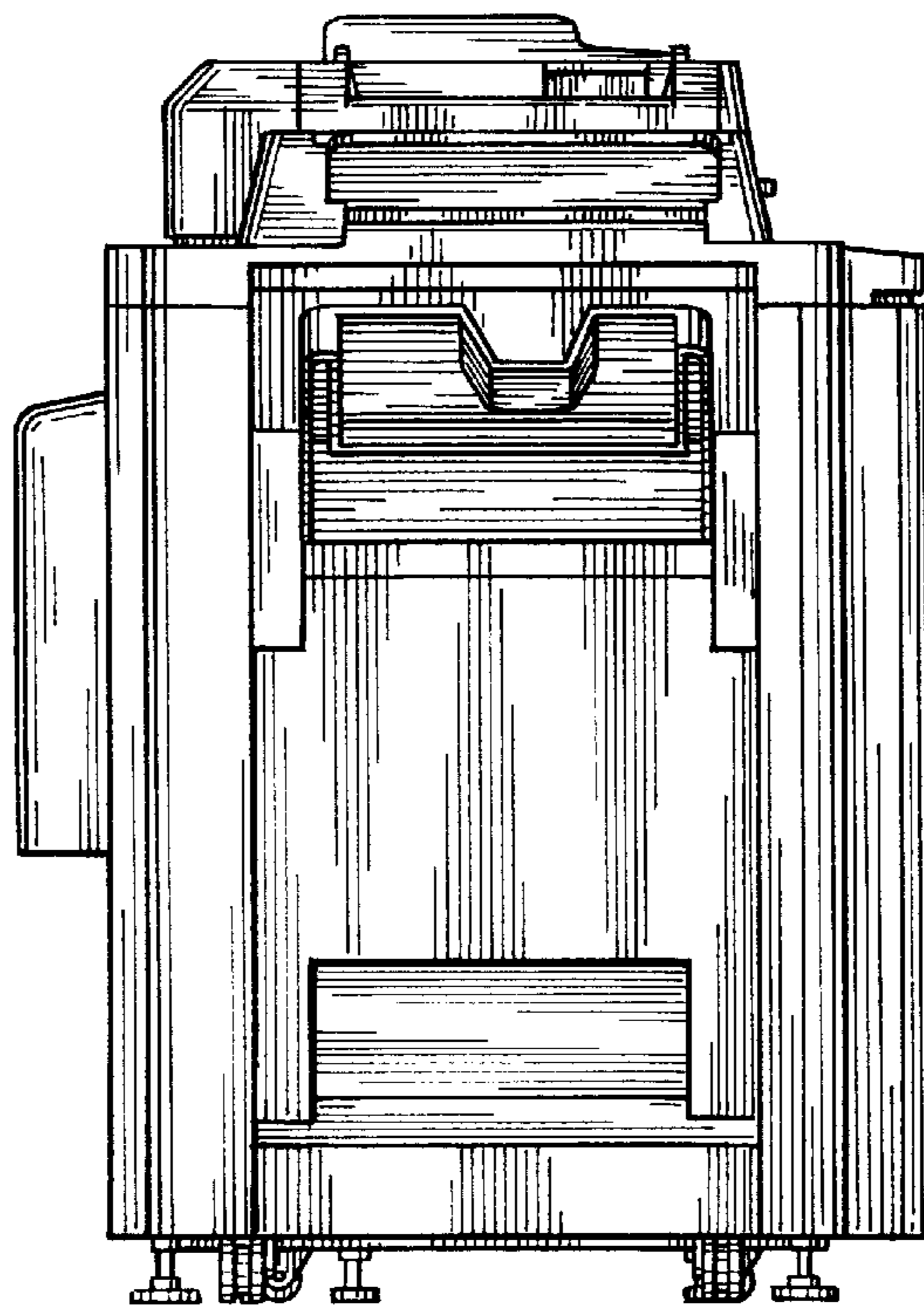
*Fig. 3*



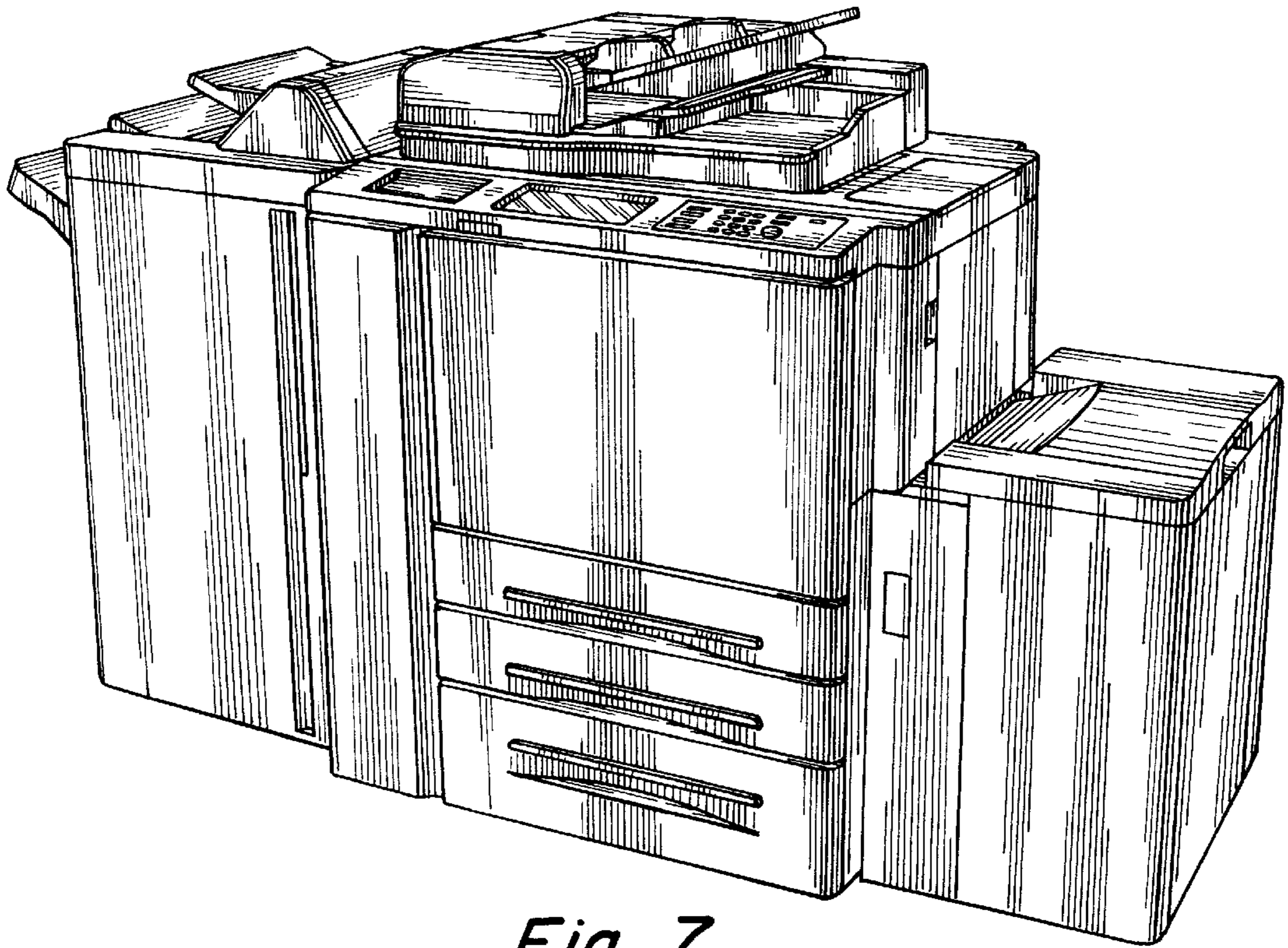
*Fig. 4*



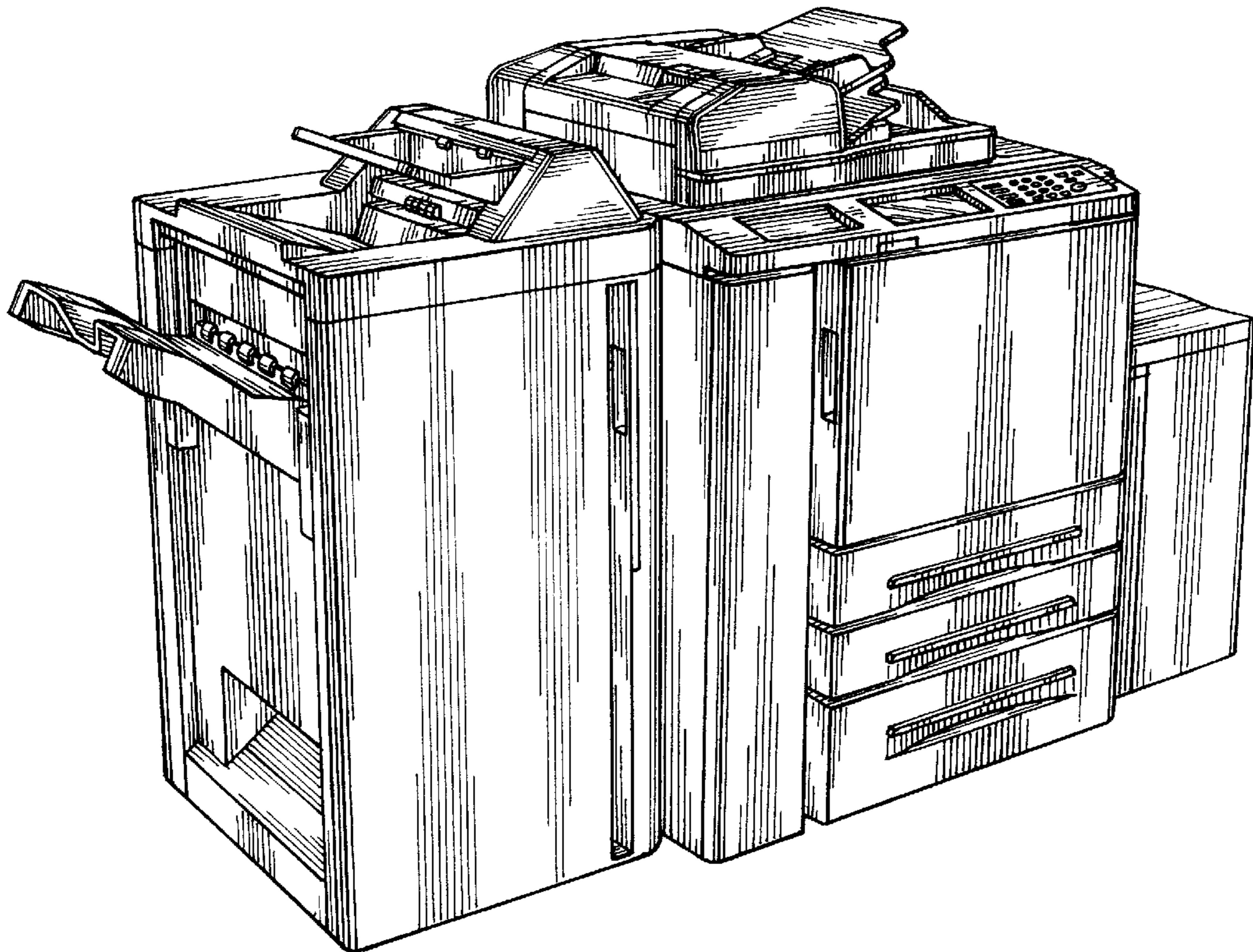
*Fig. 5*



*Fig. 6*



*Fig. 7*



*Fig. 8*