



US00D439268S

(12) **United States Design Patent**  
**Ireland**

(10) **Patent No.:** **US D439,268 S**

(45) **Date of Patent:** **\*\* Mar. 20, 2001**

(54) **EYE GLASSES**

(76) **Inventor:** **Ruben N Ireland**, 2669 S. Tupman Ave., Fresno, CA (US) 93706

(\*\*) **Term:** **14 Years**

(21) **Appl. No.:** **29/120,500**

(22) **Filed:** **Mar. 20, 2000**

(51) **LOC (7) Cl.** ..... **16-06**

(52) **U.S. Cl.** ..... **D16/314; D16/310**

(58) **Field of Search** ..... D16/101, 300-330, D16/335, 337, 338, 900; D29/109, 110; 351/41, 44, 51, 52, 111, 158, 119; 2/432, 435-437, 439, 447-449, 452-454

(56) **References Cited**

**U.S. PATENT DOCUMENTS**

D. 214,258	*	5/1969	Carpenter	.....	D16/310
D. 317,771	*	6/1991	Mackay	.....	D16/310
D. 323,335	*	1/1992	Dalloz	.....	D16/314
D. 374,451	*	10/1996	Gurwin	.....	D16/337
D. 383,148	*	9/1997	Wan Lee	.....	D16/314
D. 389,170	*	1/1998	Brune	.....	D16/335

D. 427,620	*	7/2000	Spivey	.....	D16/314
4,824,233	*	4/1989	Jannard	.....	351/44
4,850,058	*	7/1989	Cheng	.....	2/439
5,457,505	*	10/1995	Canavan et al.	.....	351/119

\* cited by examiner

*Primary Examiner*—Raphael Barkai

(74) *Attorney, Agent, or Firm*—Michael A Mann; Nexsen Pruet Jacobs & Pollard LLP

(57) **CLAIM**

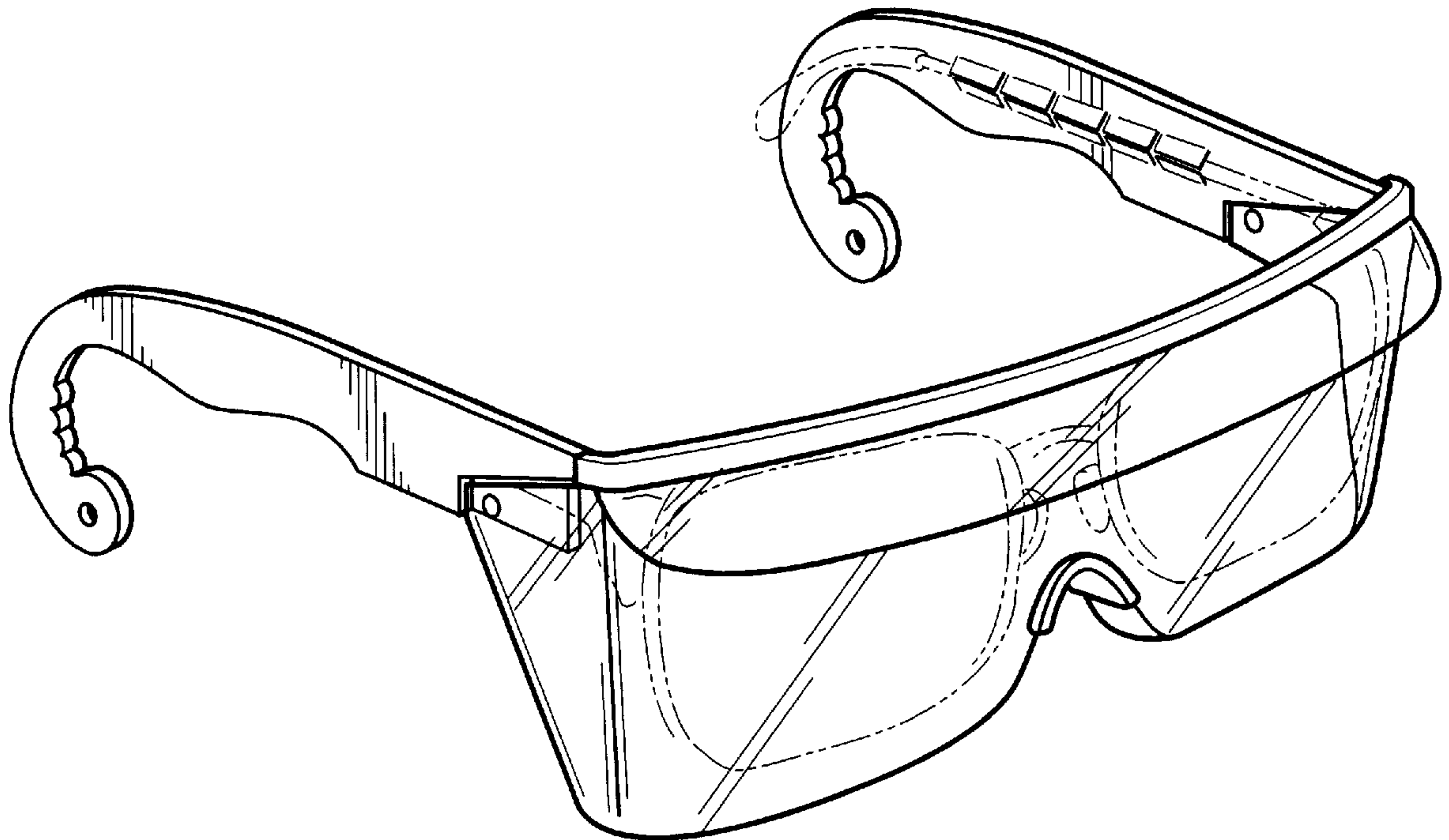
I claim the ornamental design for eye glasses, as shown and described.

**DESCRIPTION**

FIG. 1 is a perspective view of my design;  
FIG. 2 is a right side view thereof;  
FIG. 3 is a left side view thereof;  
FIG. 4 is a front view thereof;  
FIG. 5 is a rear side view thereof;  
FIG. 6 is a top view thereof; and,  
FIG. 7 is a bottom view thereof.

The broken lines shown in FIG. 1 are for illustrative purposes only and form no part of the claimed design.

**1 Claim, 4 Drawing Sheets**



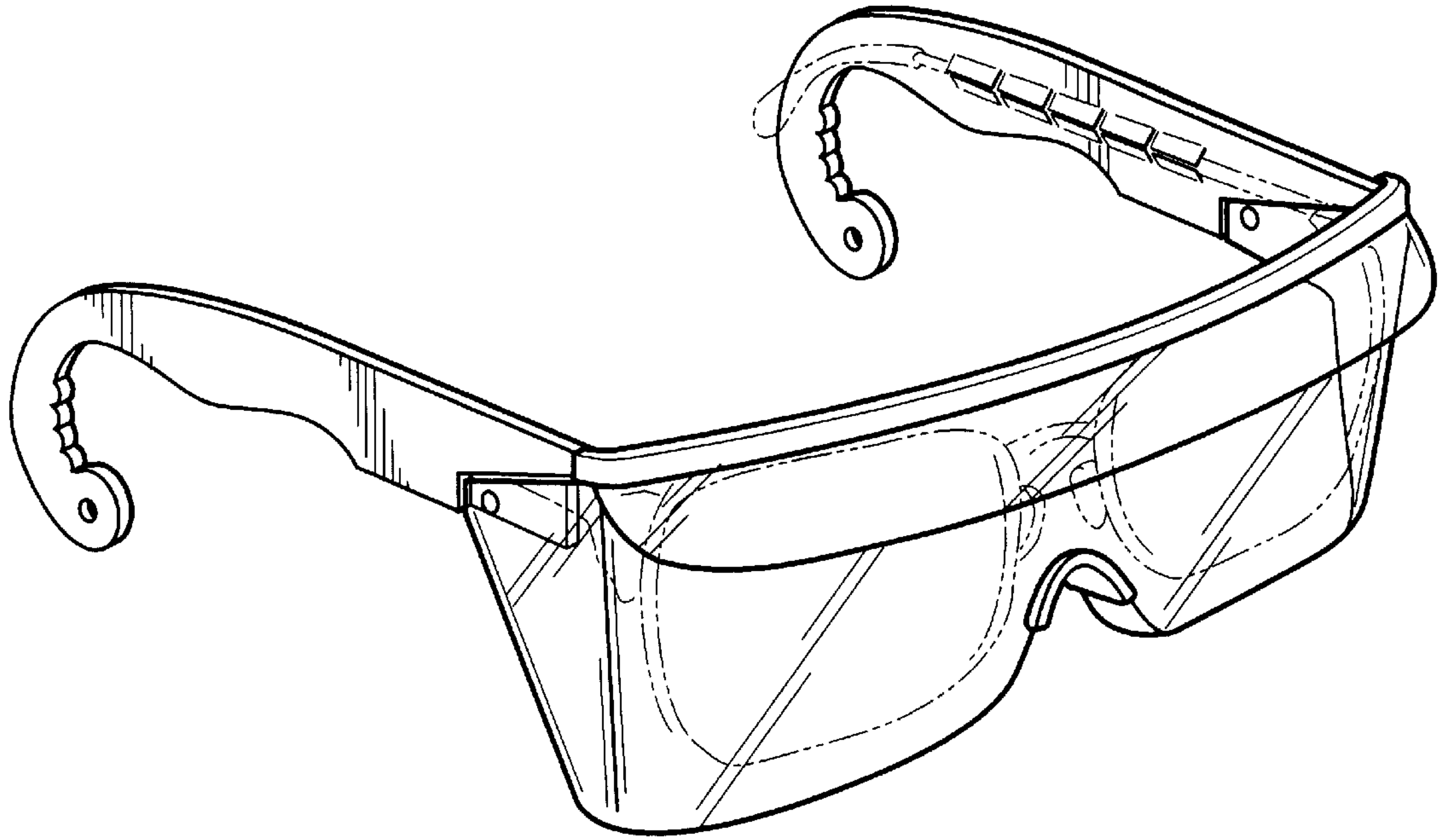


FIG. 1

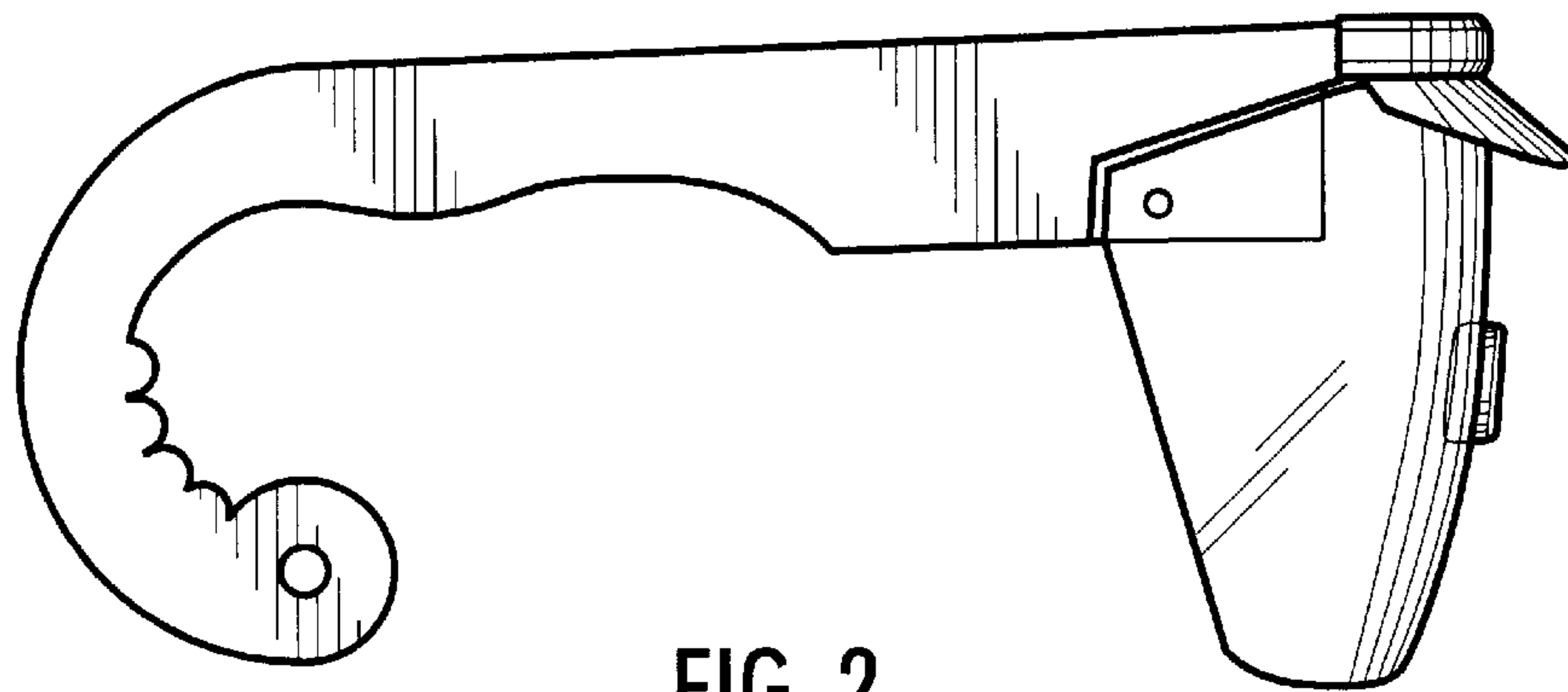


FIG. 2

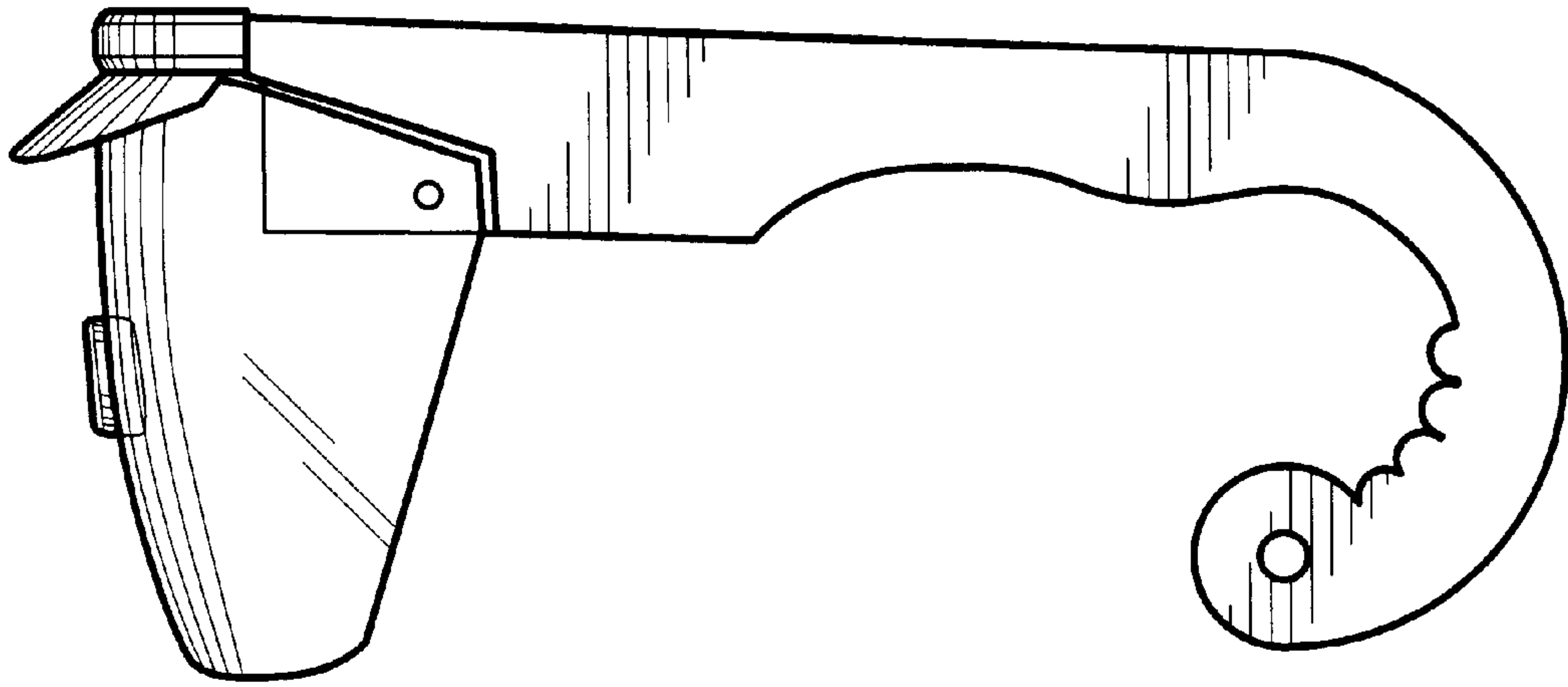


FIG. 3

FIG. 4

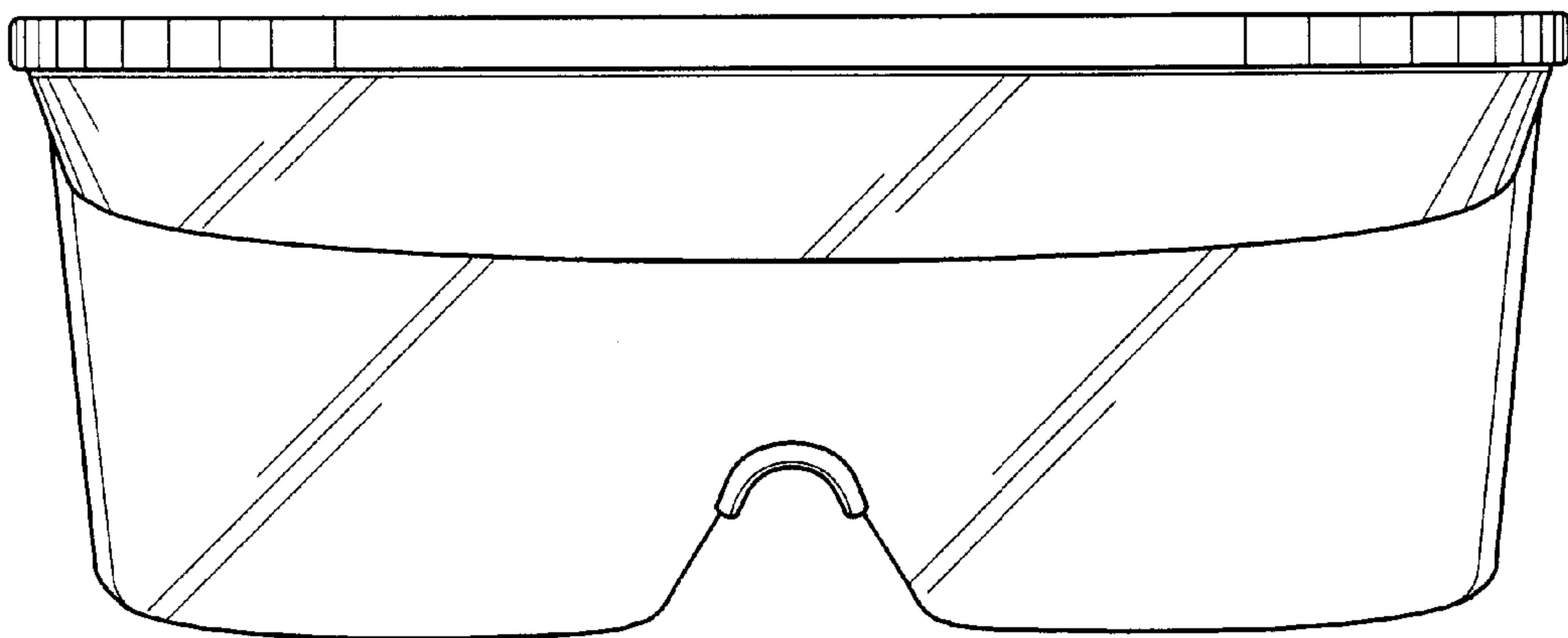


FIG. 5

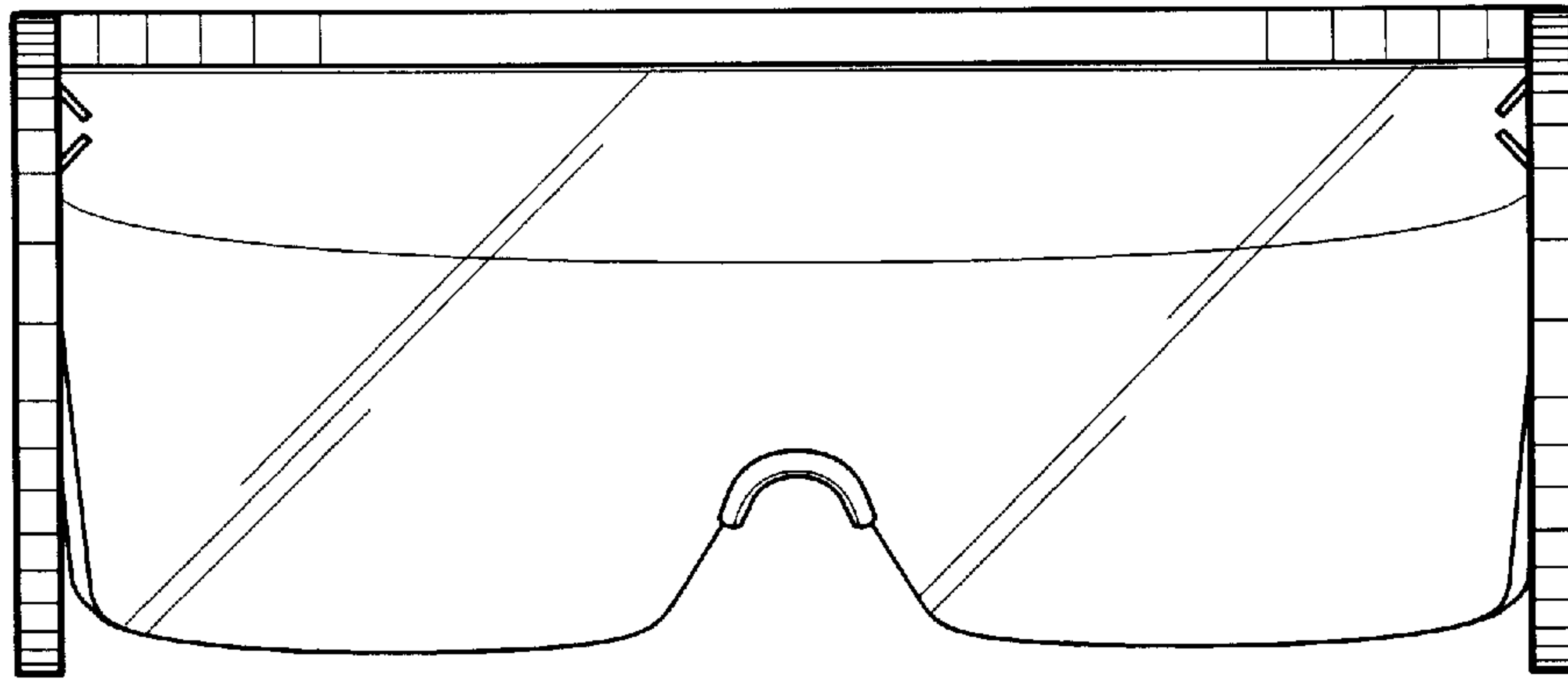


FIG. 6

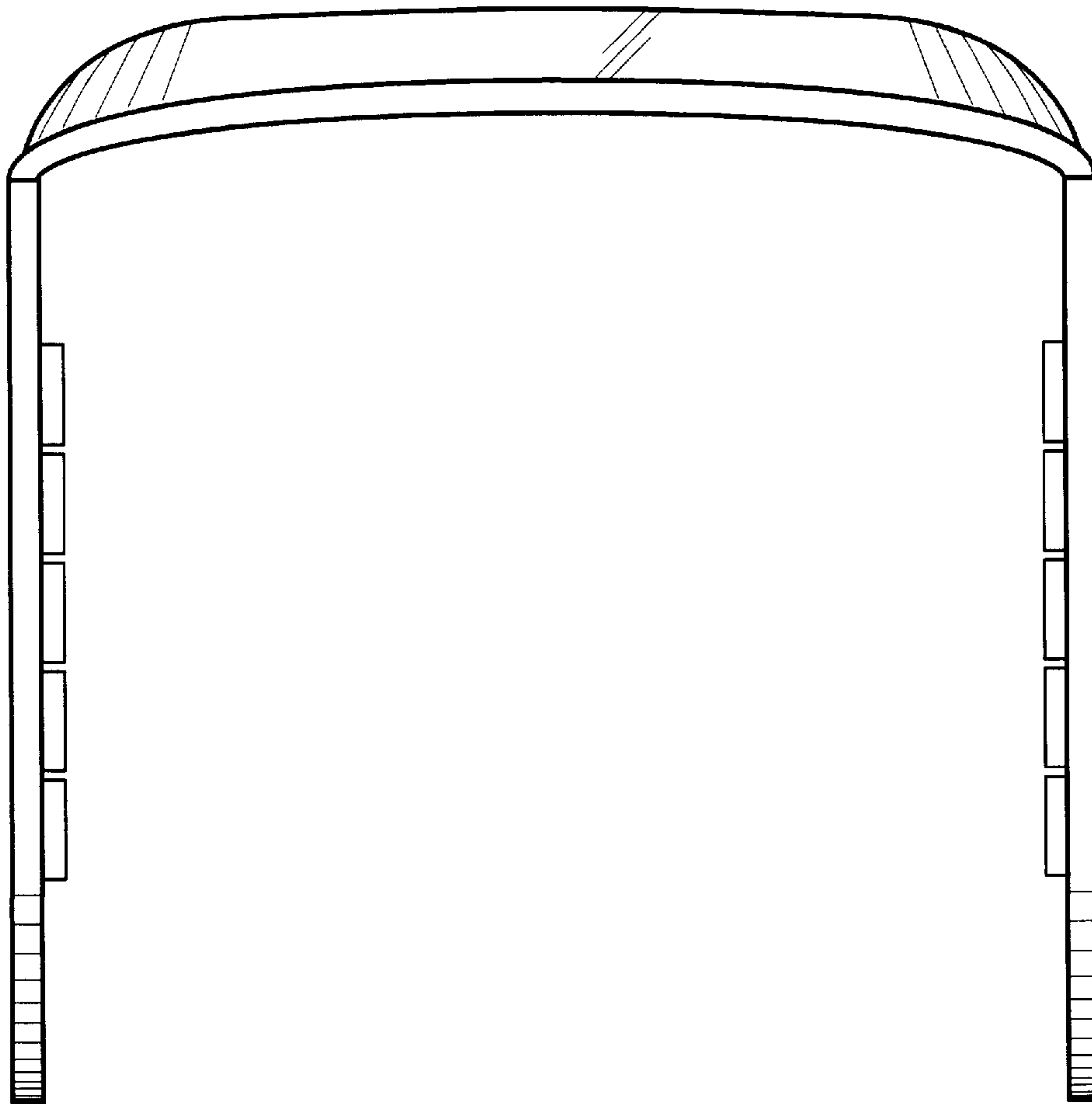


FIG. 7

