



US00D439263S

(12) **United States Design Patent**
Shiotani

(10) **Patent No.:** **US D439,263 S**

(45) **Date of Patent:** **** Mar. 20, 2001**

(54) **VIDEO CAMERA WITH VIDEO TAPE RECORDER**

D. 425,090 * 5/2000 Tashiro D16/202
D. 429,742 * 8/2000 Fukushima D16/202
5,499,052 * 3/1996 Nakanishi et al. 348/373

(75) Inventor: **Yasushi Shiotani**, Hayama-machi (JP)

* cited by examiner

(73) Assignee: **Canon Kabushiki Kaisha**, Tokyo (JP)

Primary Examiner—Adir Aronovich

(**) Term: **14 Years**

(74) *Attorney, Agent, or Firm*—Fitzpatrick, Cella, Harper & Scinto

(21) Appl. No.: **29/126,497**

(57) **CLAIM**

(22) Filed: **Jul. 19, 2000**

The ornamental design for a video camera with video tape recorder, as shown and described.

(30) **Foreign Application Priority Data**

DESCRIPTION

Jan. 26, 2000 (JP) 12-004340

(51) **LOC (7) Cl.** **16-01**

FIG. 1 is a front view of a video camera with video tape recorder showing my new design;
FIG. 2 is a rear view thereof;
FIG. 3 is a top plan view thereof;
FIG. 4 is a bottom plan view thereof;
FIG. 5 is a left side view thereof;
FIG. 6 is a right side view thereof; and,
FIG. 7 is a perspective view thereof.

(52) **U.S. Cl.** **D16/202**

(58) **Field of Search** D16/200–206,
D16/208; 348/373–376; 396/535–541

(56) **References Cited**

U.S. PATENT DOCUMENTS

D. 377,941 * 2/1997 Tanaka D16/202
D. 423,541 * 4/2000 Ohwada D16/202

1 Claim, 4 Drawing Sheets

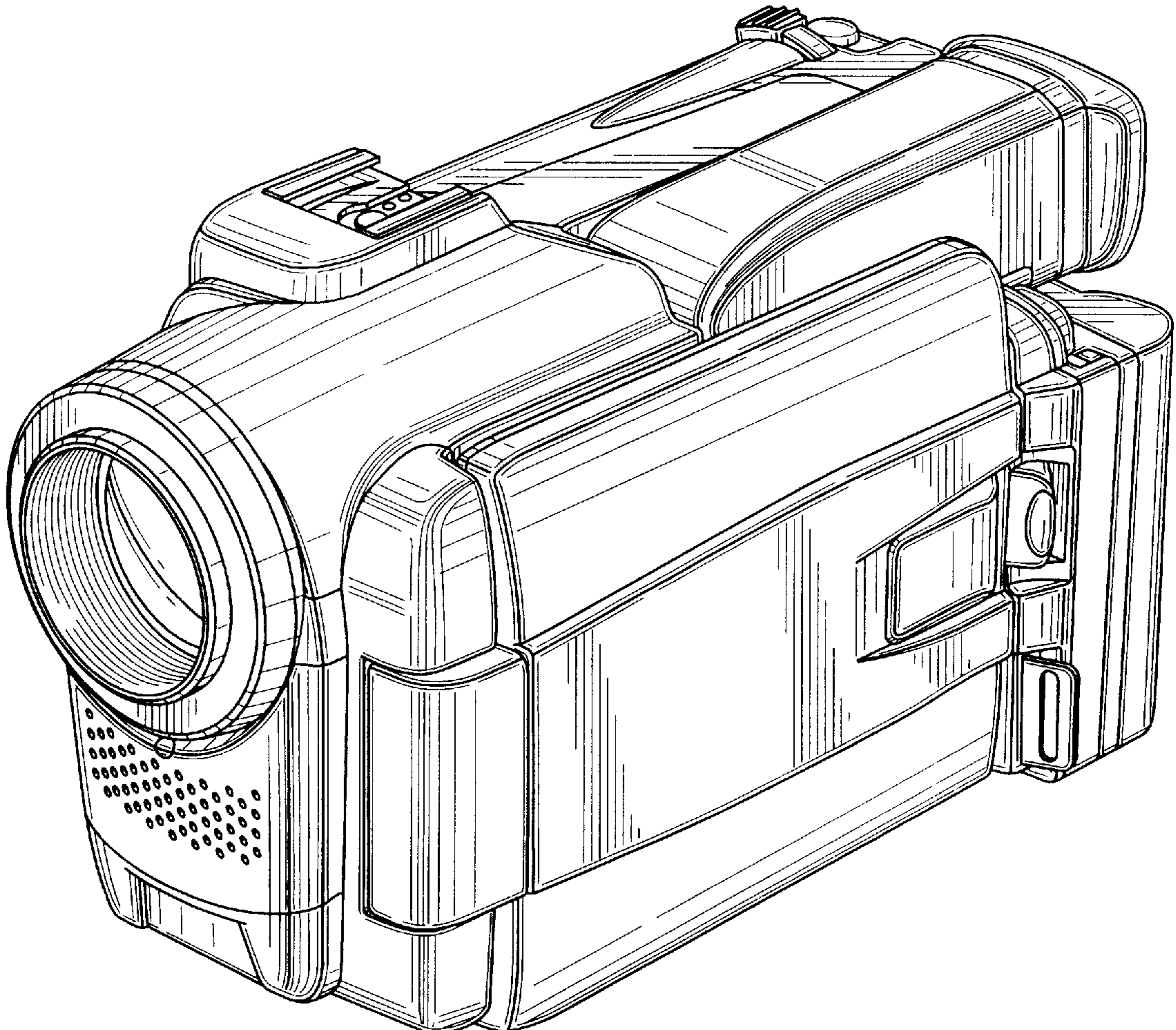


FIG. 1

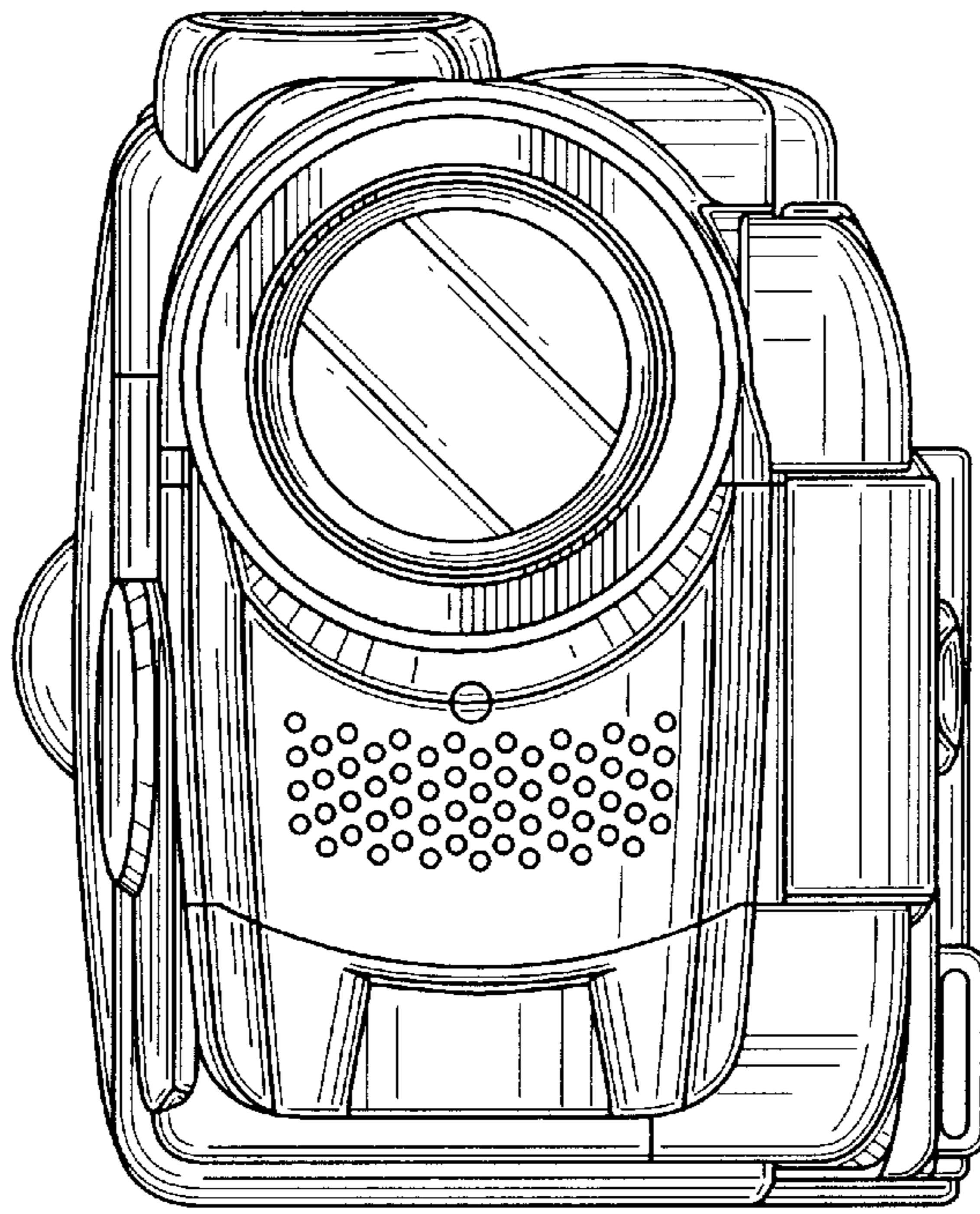


FIG. 2

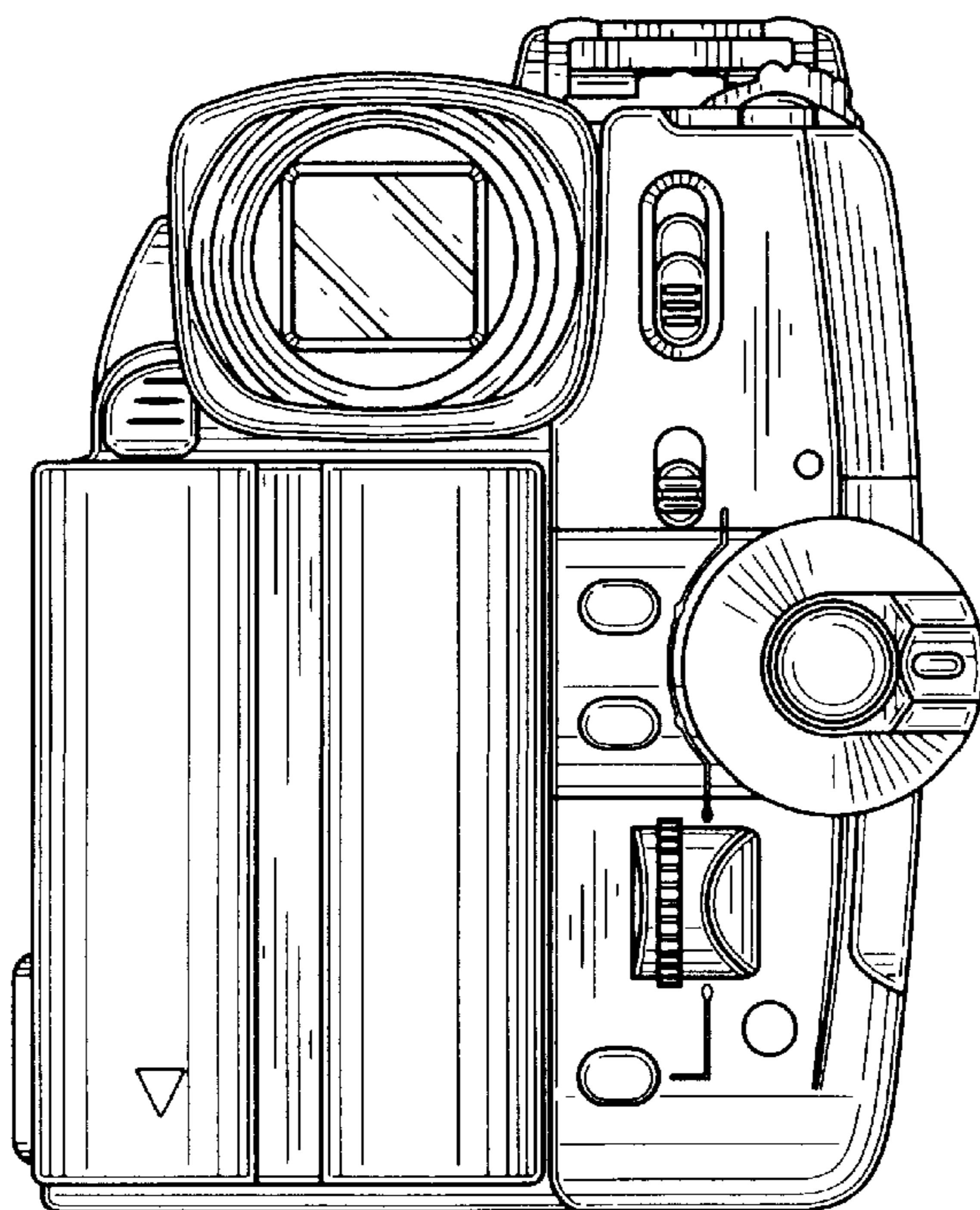


FIG. 3

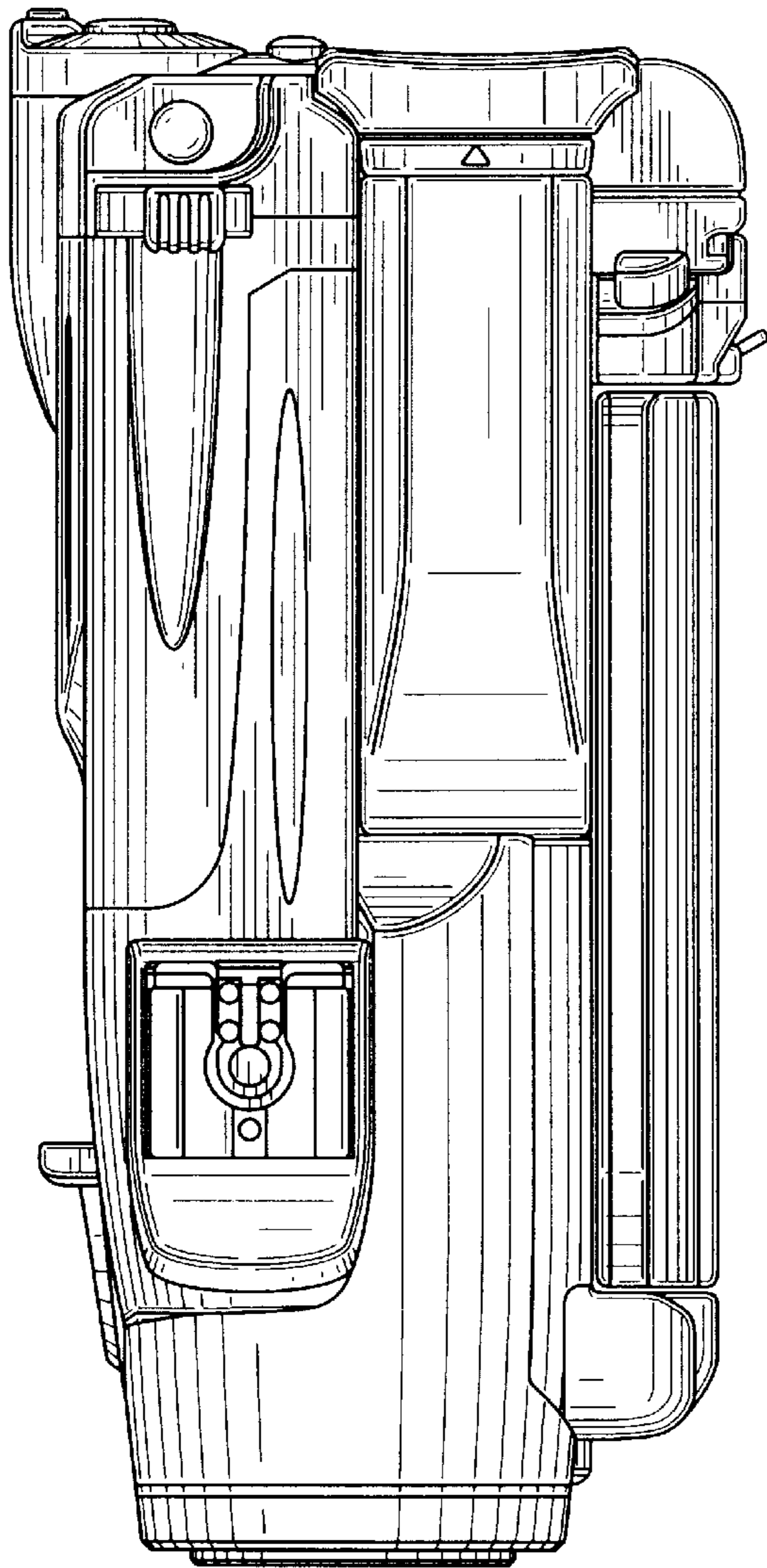


FIG. 4

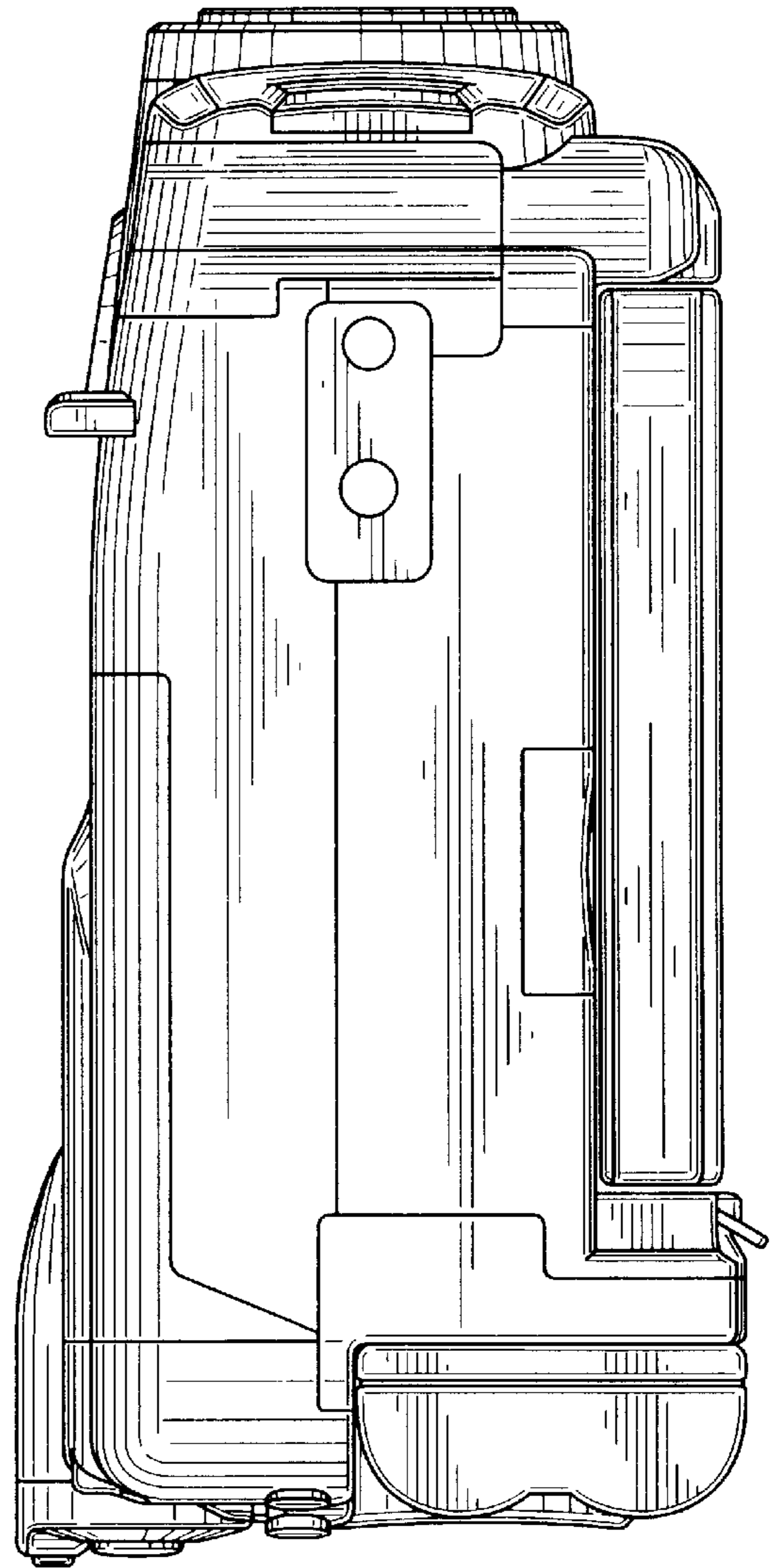


FIG. 5

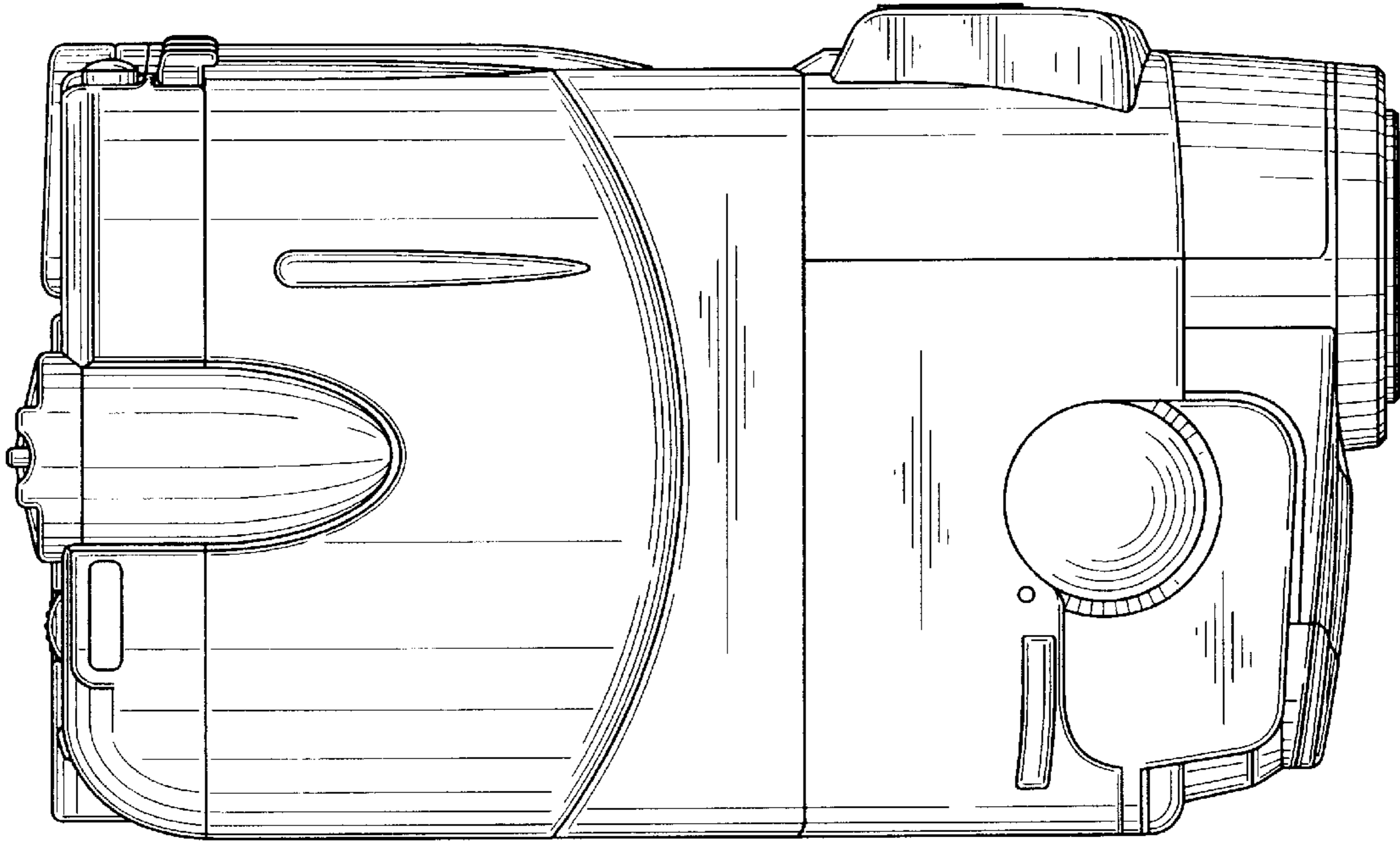


FIG. 6

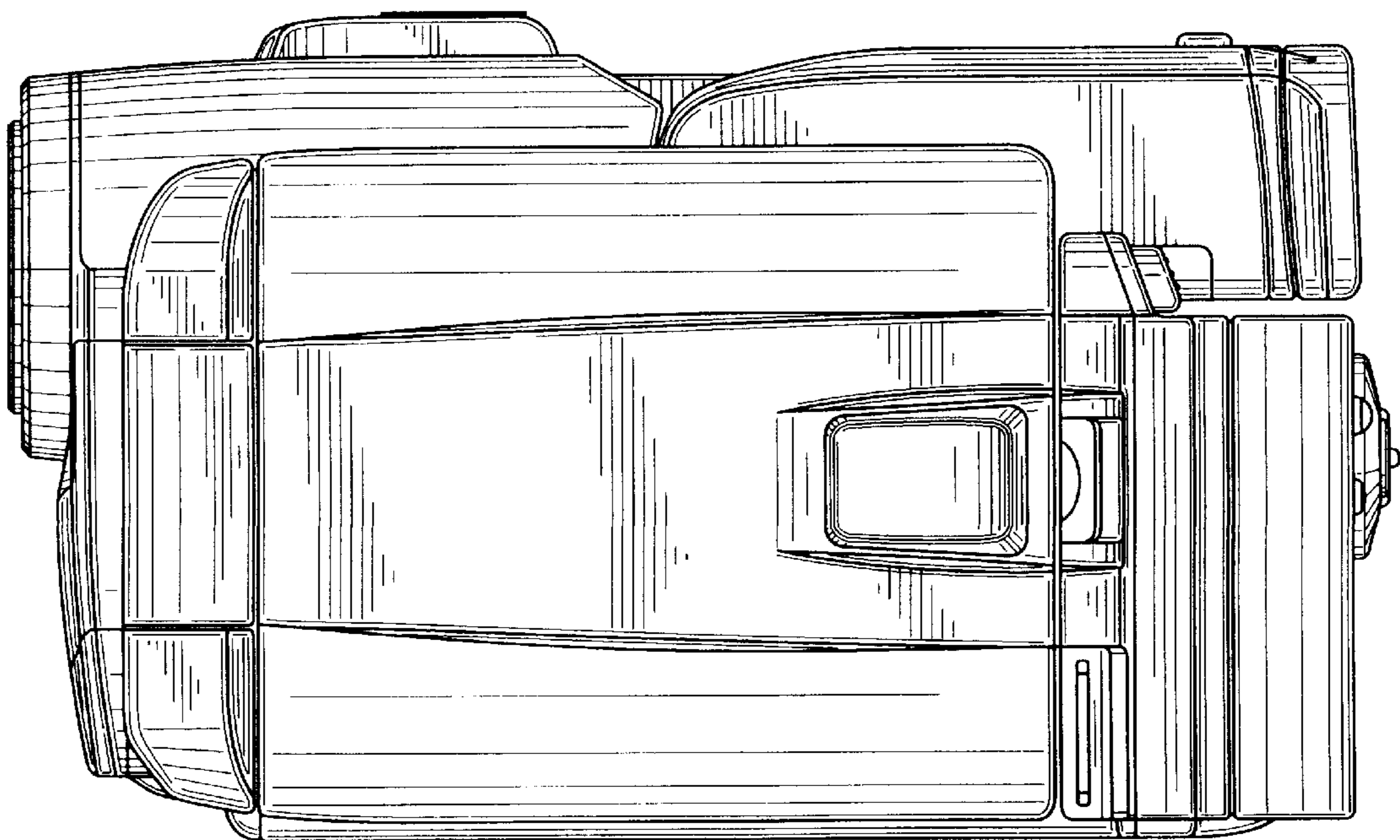
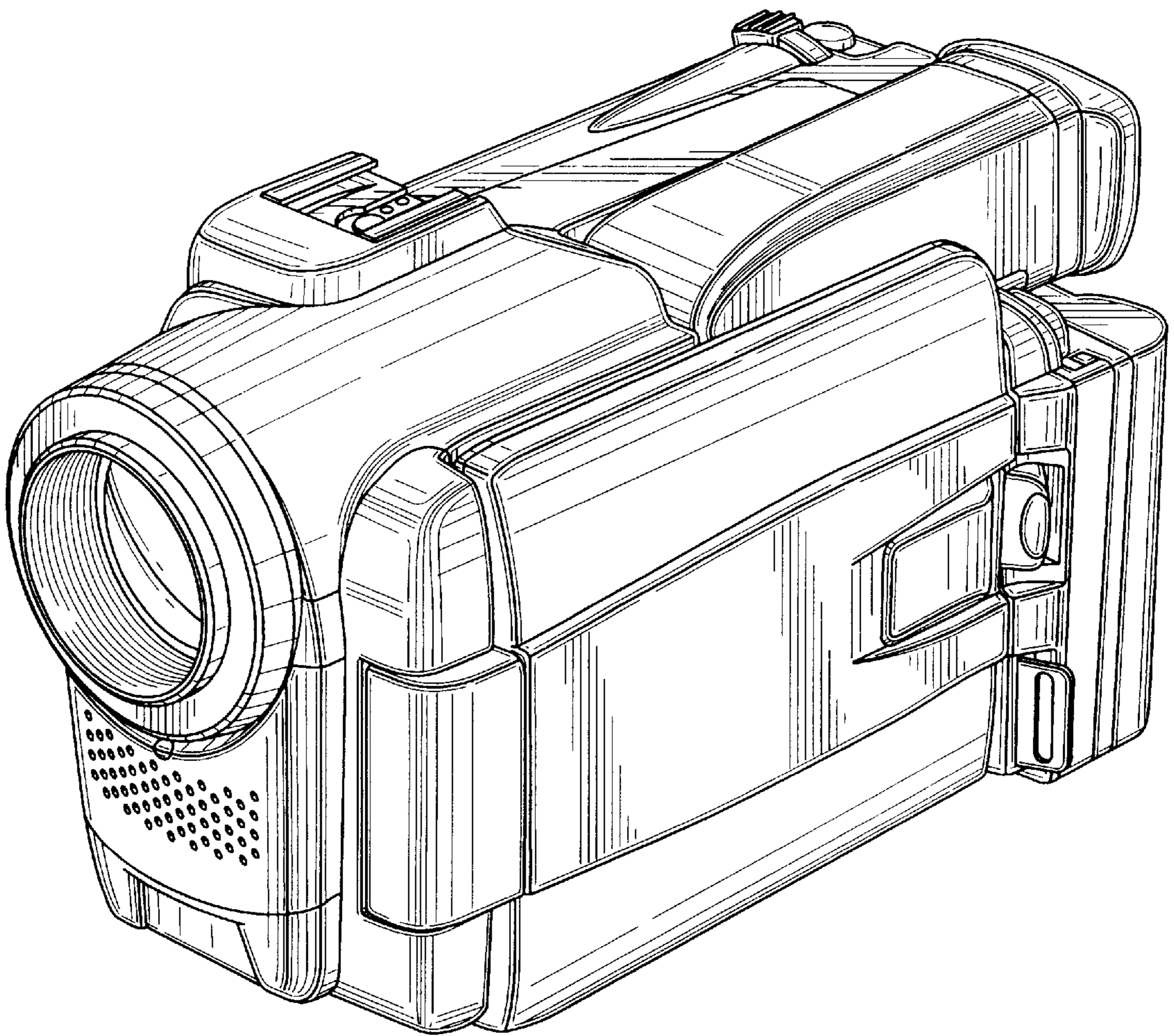


FIG. 7



UNITED STATES PATENT AND TRADEMARK OFFICE
CERTIFICATE OF CORRECTION

PATENT NO. : Des 439,263 S
DATED : March 20, 2001
INVENTOR(S) : Yasushi Shiotani

Page 1 of 1

It is certified that error appears in the above-identified patent and that said Letters Patent is hereby corrected as shown below:

Title page,

Item [30] FOREIGN APPLICATION PRIORITY DATA

“12-004340” should read -- 2000-004340 --.

Signed and Sealed this

Thirtieth Day of October, 2001

Attest:

Nicholas P. Godici

Attesting Officer

NICHOLAS P. GODICI
Acting Director of the United States Patent and Trademark Office