



US00D439260S

(12) **United States Design Patent**  
**Matsushita**

(10) **Patent No.:** **US D439,260 S**

(45) **Date of Patent:** **\*\* Mar. 20, 2001**

(54) **BINOCULARS**

5,604,631 \* 2/1997 Gelardi et al. .... 359/411 X  
5,896,209 \* 4/1999 Funatsu ..... 359/417

(75) Inventor: **Takeshi Matsushita**, Tokyo (JP)

**OTHER PUBLICATIONS**

(73) Assignee: **Asahi Kogaku Kogyo Kabushiki Kaisha**, Tokyo (JP)

Feb. '98 Japan Camera Show, p. 36 of Catalogue vol. 114.

(\*\*) Term: **14 Years**

\* cited by examiner

(21) Appl. No.: **29/116,739**

*Primary Examiner*—Paula A. Mortimer  
(74) *Attorney, Agent, or Firm*—Sughrue, Mion, Zinn, Macpeak & Seas, PLLC

(22) Filed: **Jan. 11, 2000**

(30) **Foreign Application Priority Data**

Jul. 12, 1999 (JP) ..... 11-18558

(57) **CLAIM**

The ornamental design for binoculars, as shown and described.

(51) **LOC (7) Cl.** ..... **16-06**

**DESCRIPTION**

(52) **U.S. Cl.** ..... **D16/133**

(58) **Field of Search** ..... D16/130, 133;  
359/408, 409, 410, 411, 412, 417, 418,  
421, 422

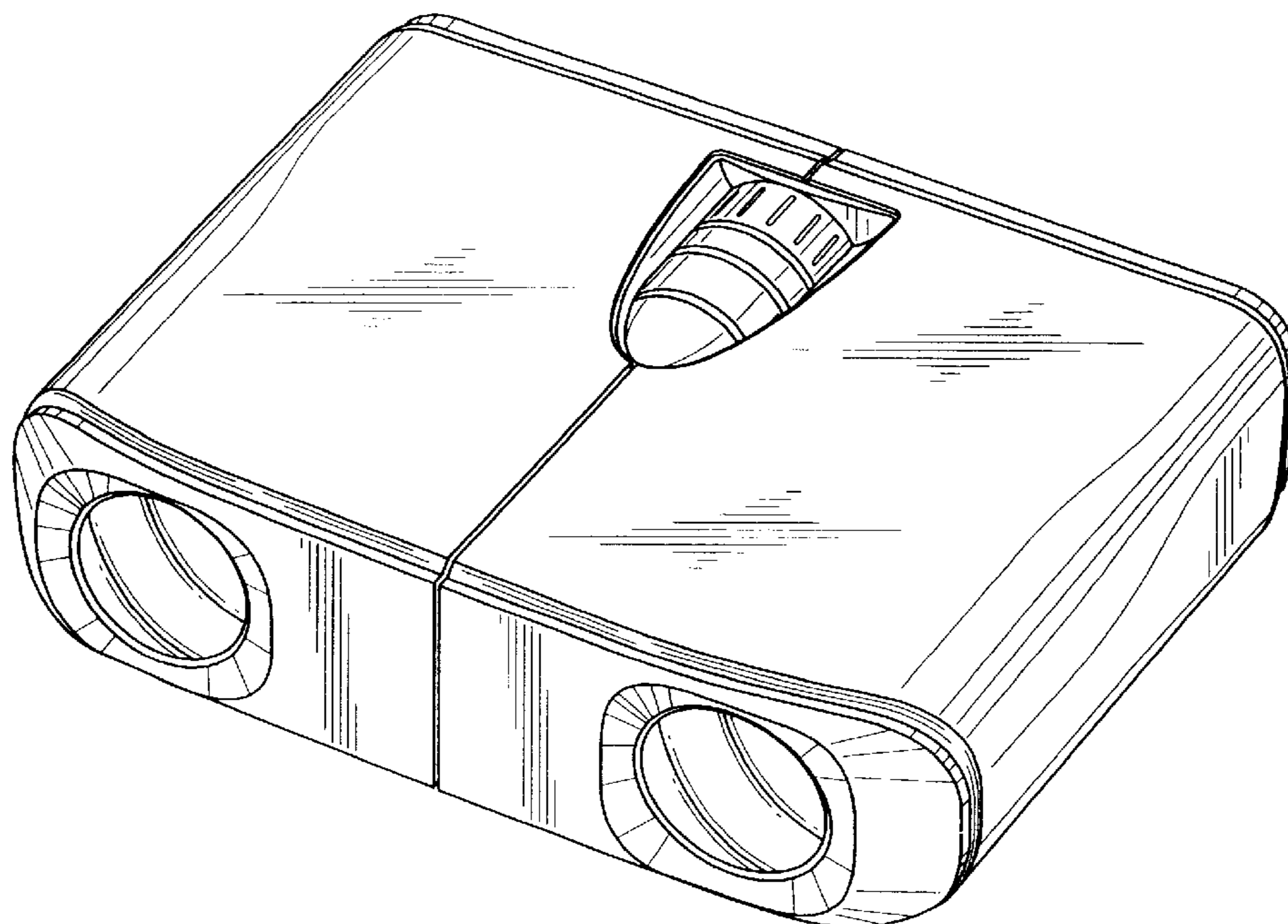
FIG. 1 is a perspective view of the top, front and right side of binoculars showing my new design;  
FIG. 2 is a front elevational view thereof;  
FIG. 3 is a right side elevational view thereof;  
FIG. 4 is a top plan view thereof;  
FIG. 5 is a left side elevational view thereof;  
FIG. 6 is a rear elevational view thereof;  
FIG. 7 is a bottom plan view thereof;  
FIG. 8 is a view similar to FIG. 1 with the binocular case in the expanded condition and the eye pieces extended;  
FIG. 9 is a front elevational view thereof;  
FIG. 10 is a right side elevational view thereof;  
FIG. 11 is a top plan view thereof;  
FIG. 12 is a left side elevational view thereof;  
FIG. 13 is a rear elevational view thereof; and,  
FIG. 14 is a bottom plan view thereof.

(56) **References Cited**

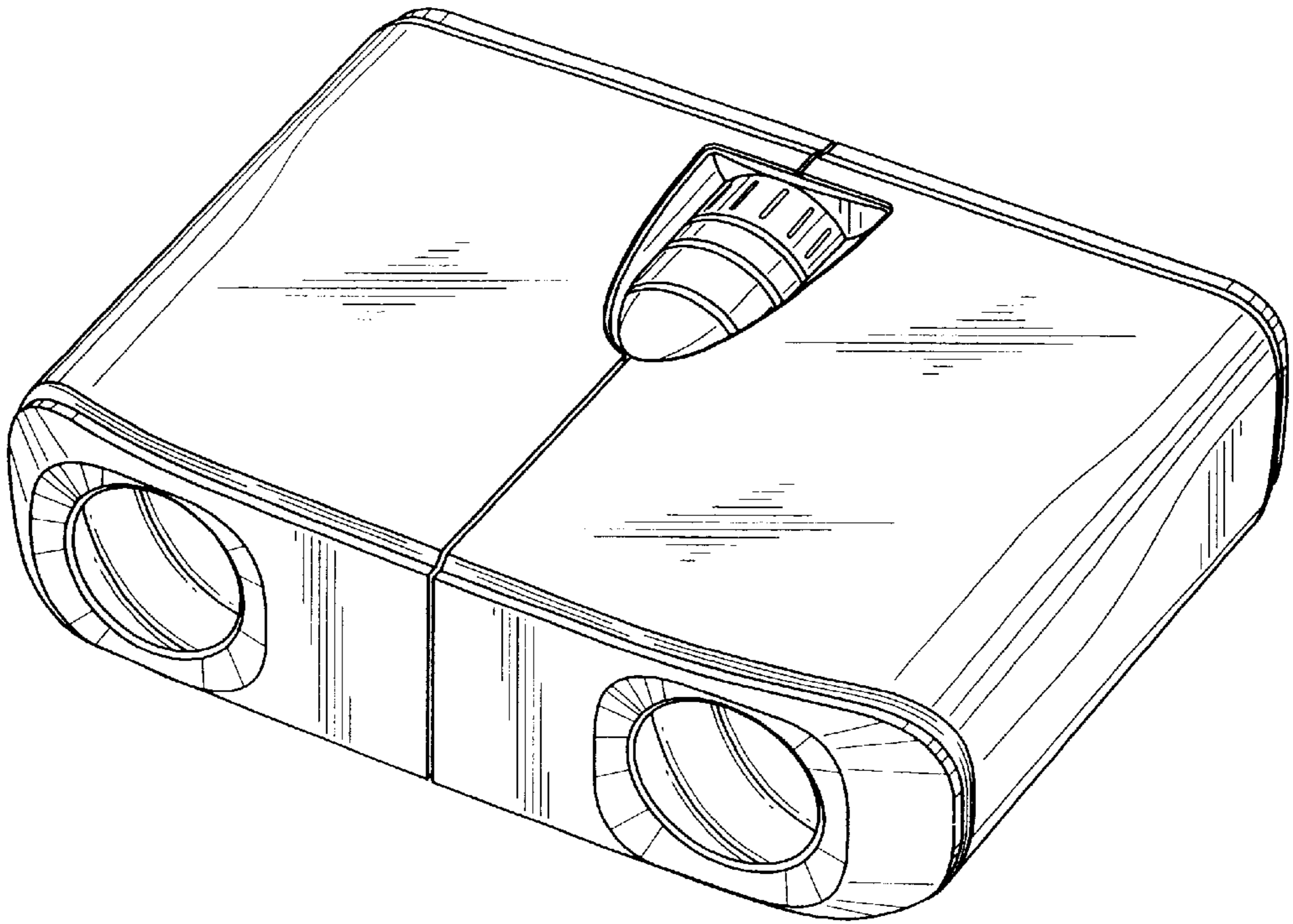
**U.S. PATENT DOCUMENTS**

- D. 270,166 \* 8/1983 Tomatsuri et al. .... D16/133
- D. 275,205 \* 8/1984 Narayama ..... D16/133
- D. 336,654 \* 6/1993 Kung ..... D16/133
- D. 387,785 12/1997 Matsushita .
- D. 409,212 \* 5/1999 Omino ..... D16/133
- D. 411,214 \* 6/1999 Hamamura ..... D16/133
- D. 418,849 \* 1/2000 Becuer et al. .... D16/133
- 3,170,024 \* 2/1965 Dowling et al. .... D59/417
- 3,257,901 \* 6/1966 Dowling et al. .... D16/133 X
- 4,013,340 \* 3/1977 Mukai et al. .... 359/417
- 4,013,341 \* 3/1977 Riley ..... 359/408
- 4,284,325 \* 8/1981 Ishibai et al. .... 359/417

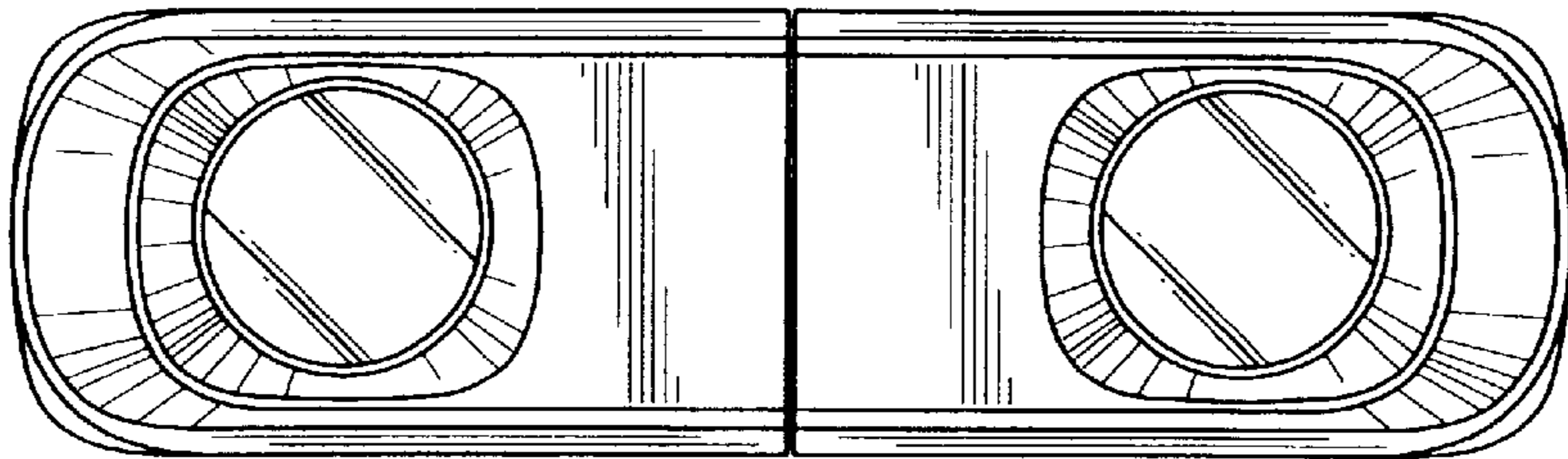
**1 Claim, 6 Drawing Sheets**



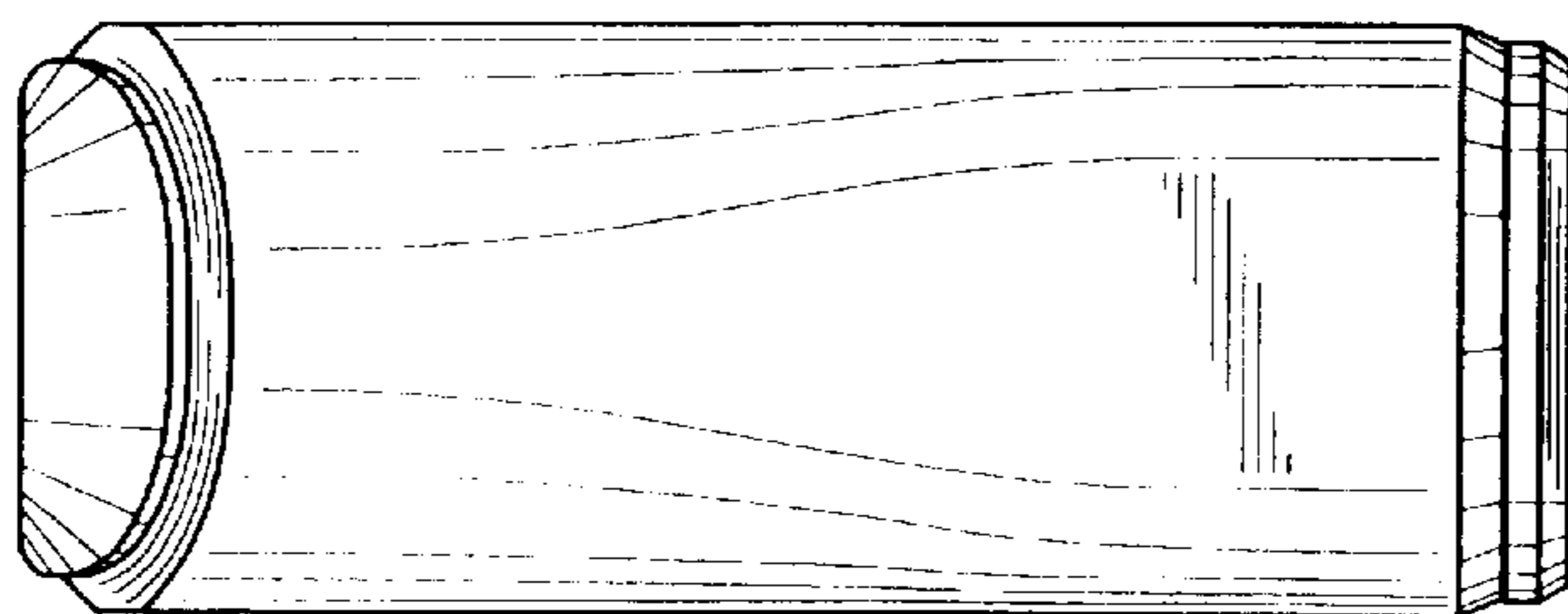
*FIG. 1*



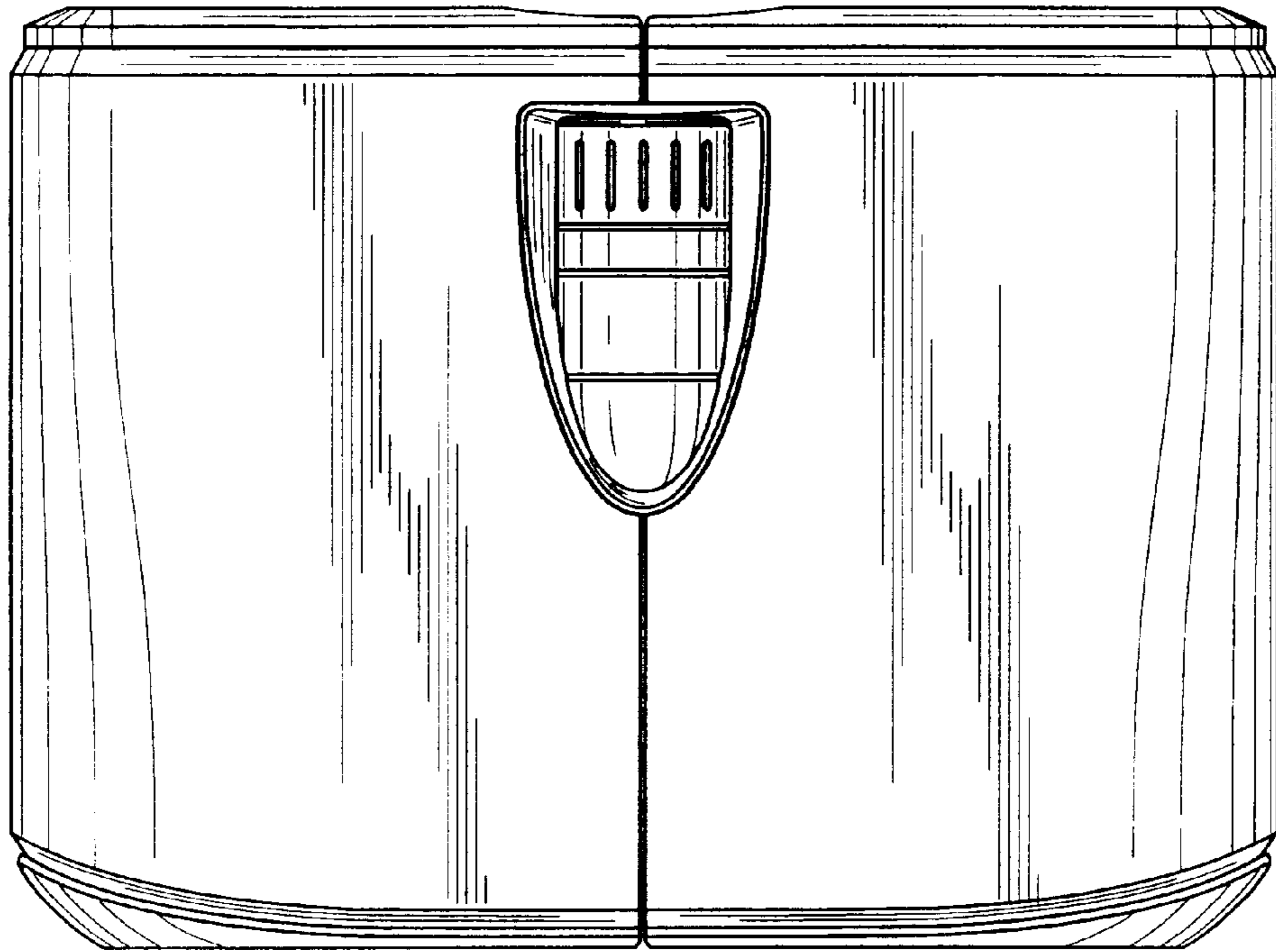
*FIG. 2*



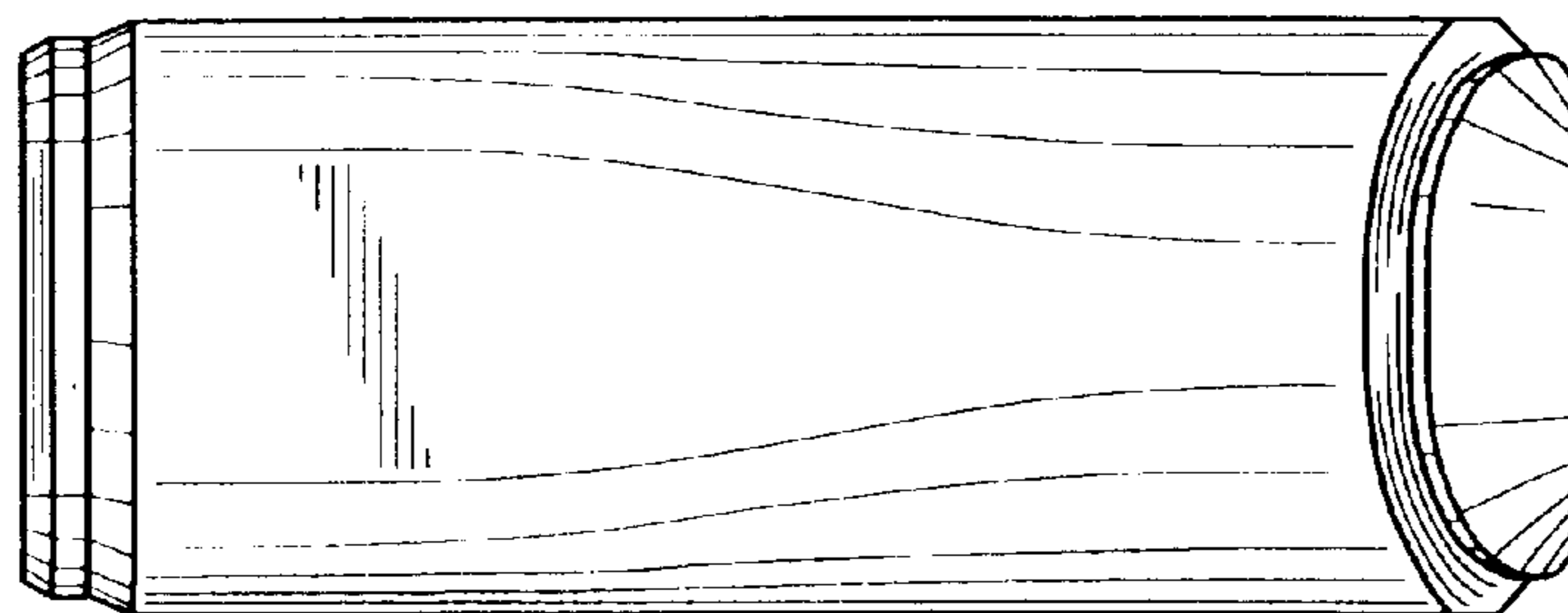
*FIG. 3*



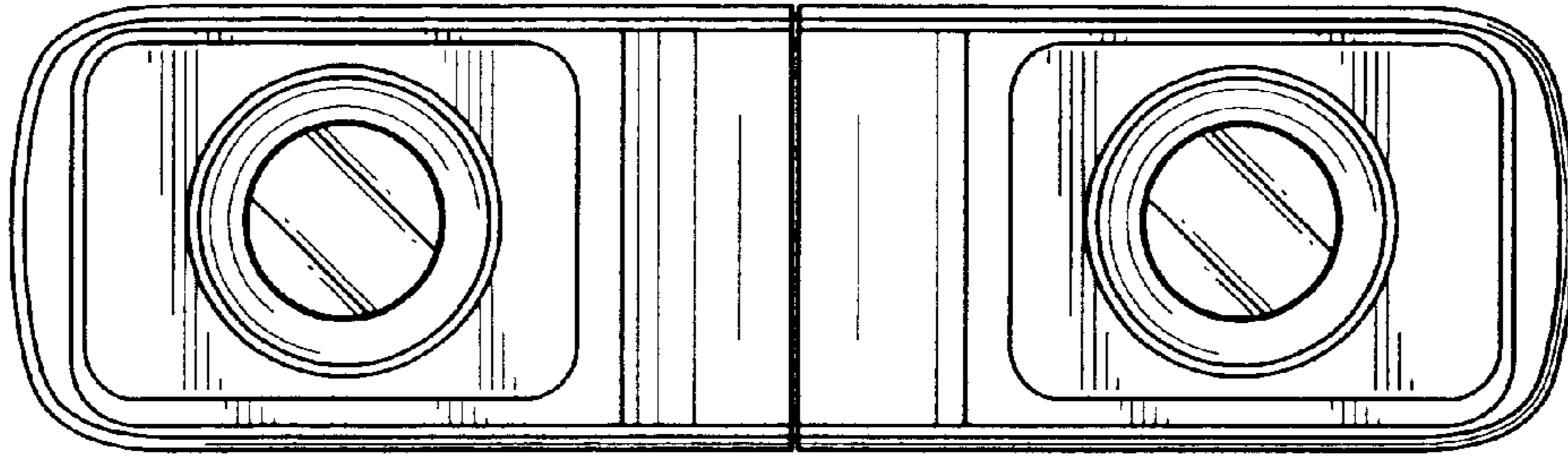
*FIG. 4*



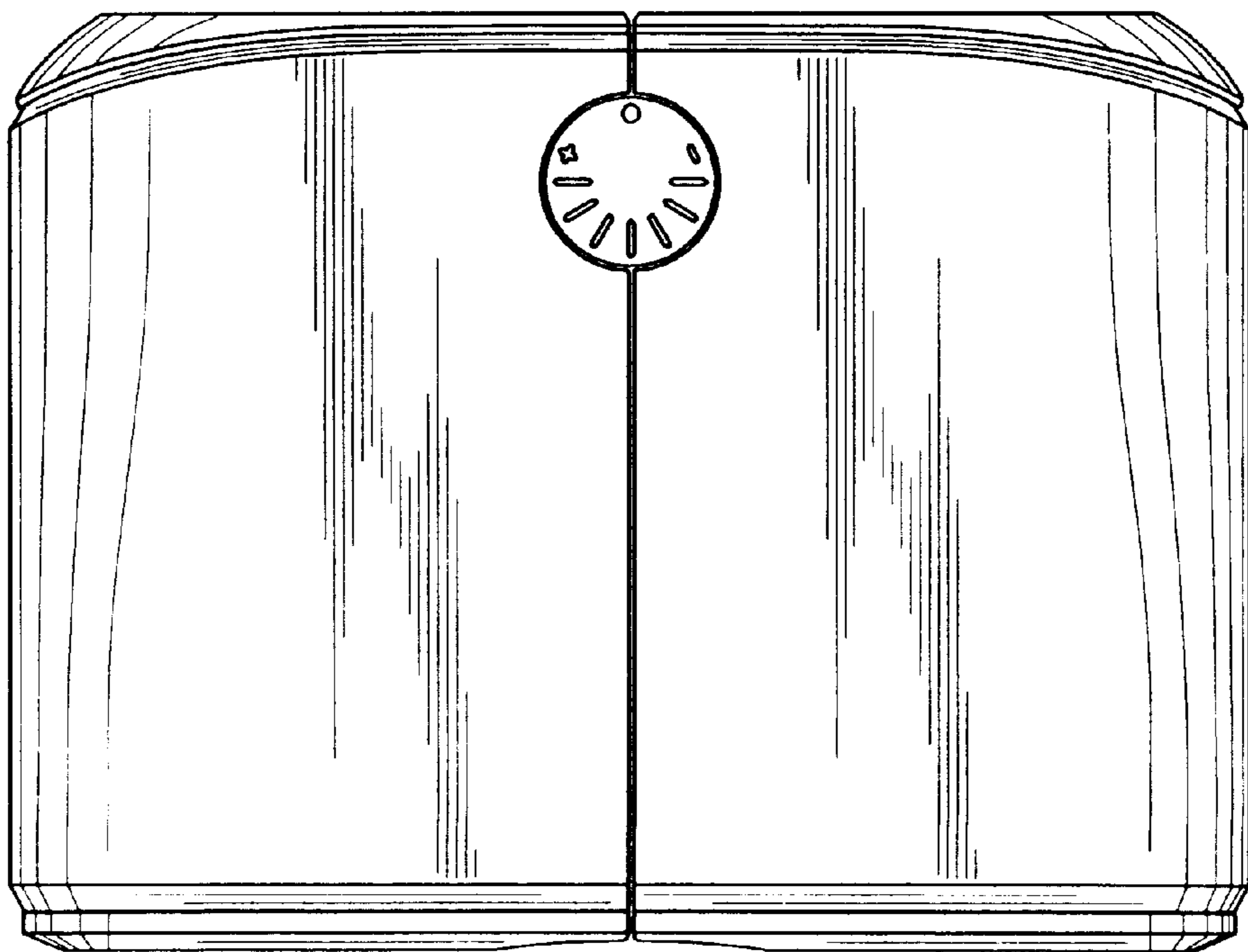
*FIG. 5*



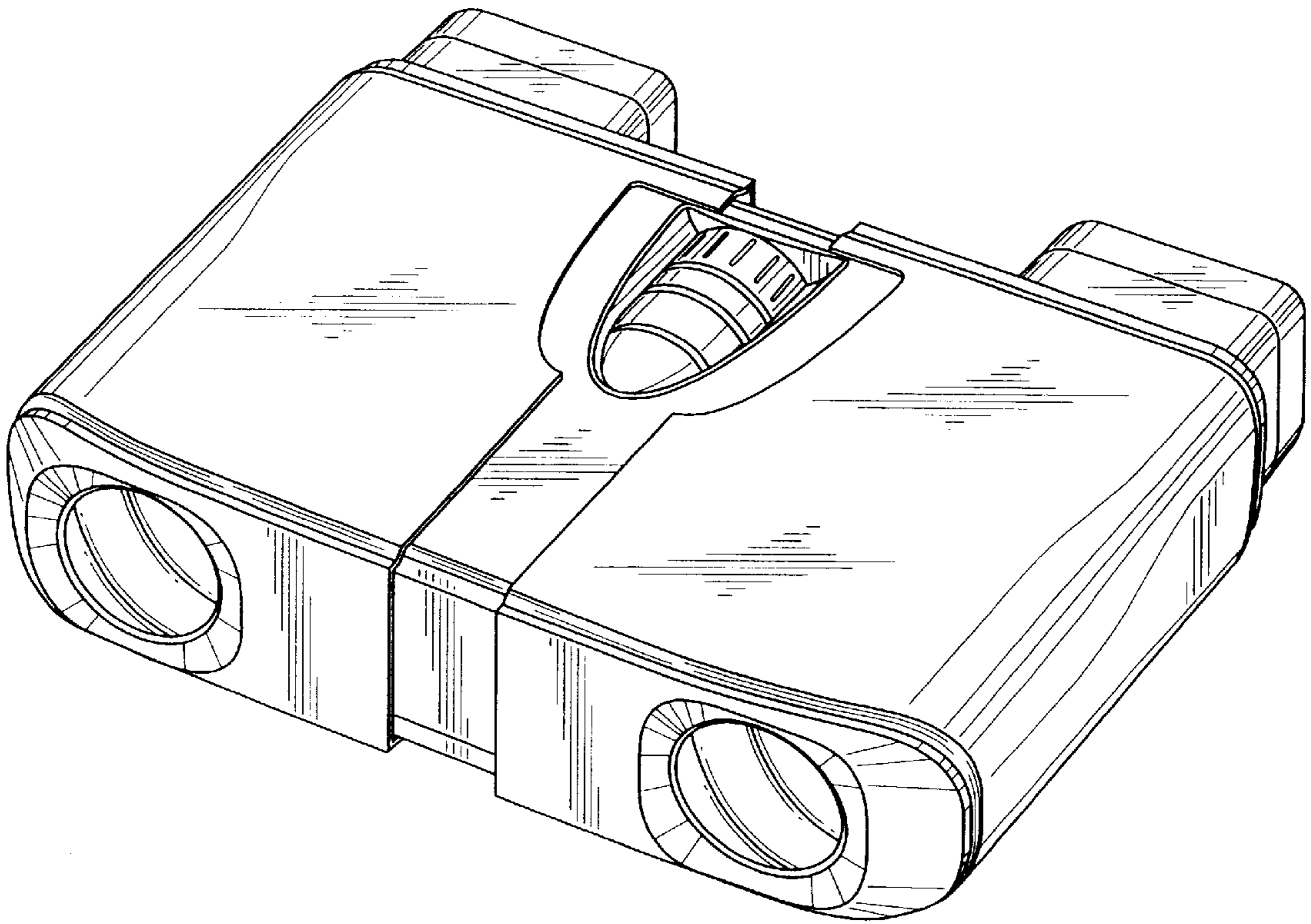
*FIG. 6*



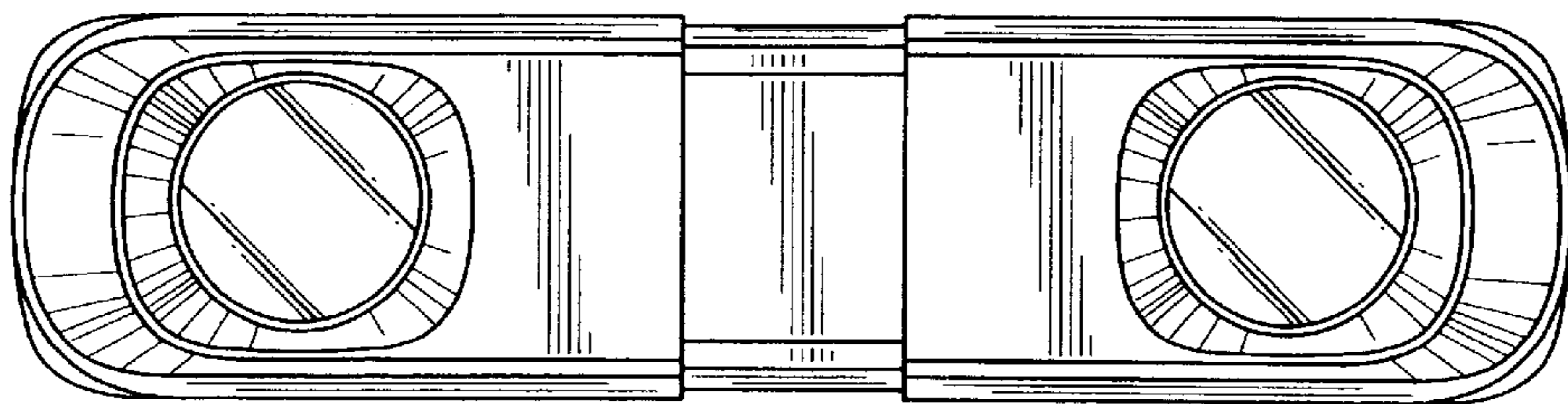
*FIG. 7*



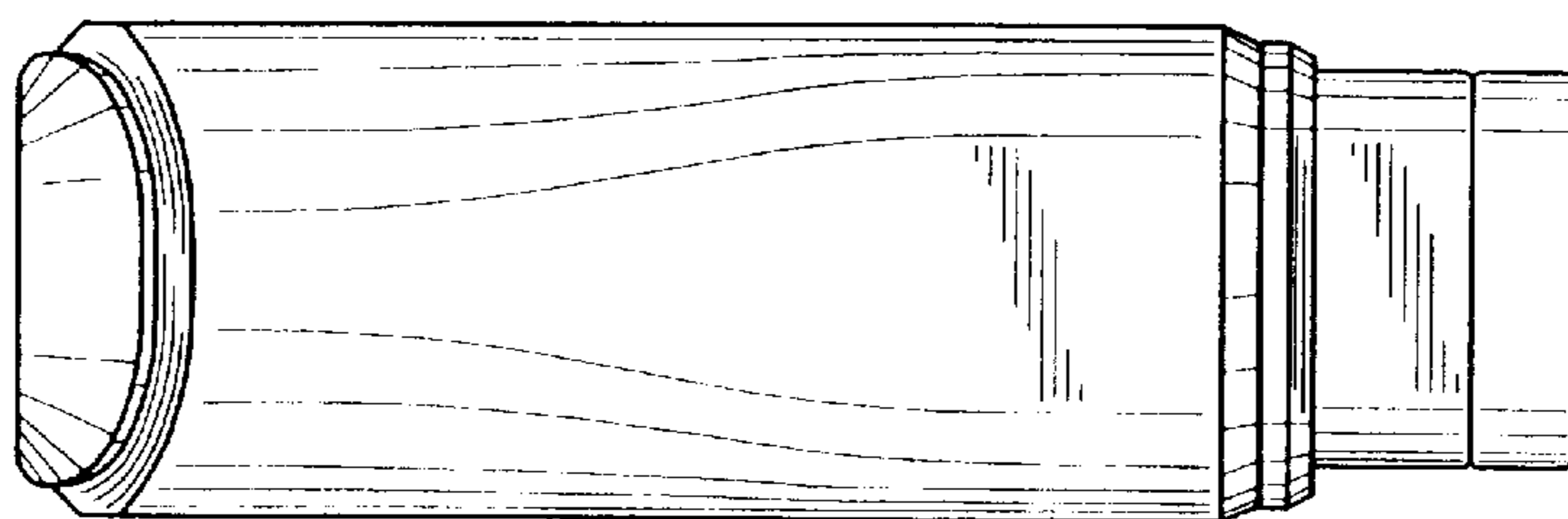
**FIG. 8**



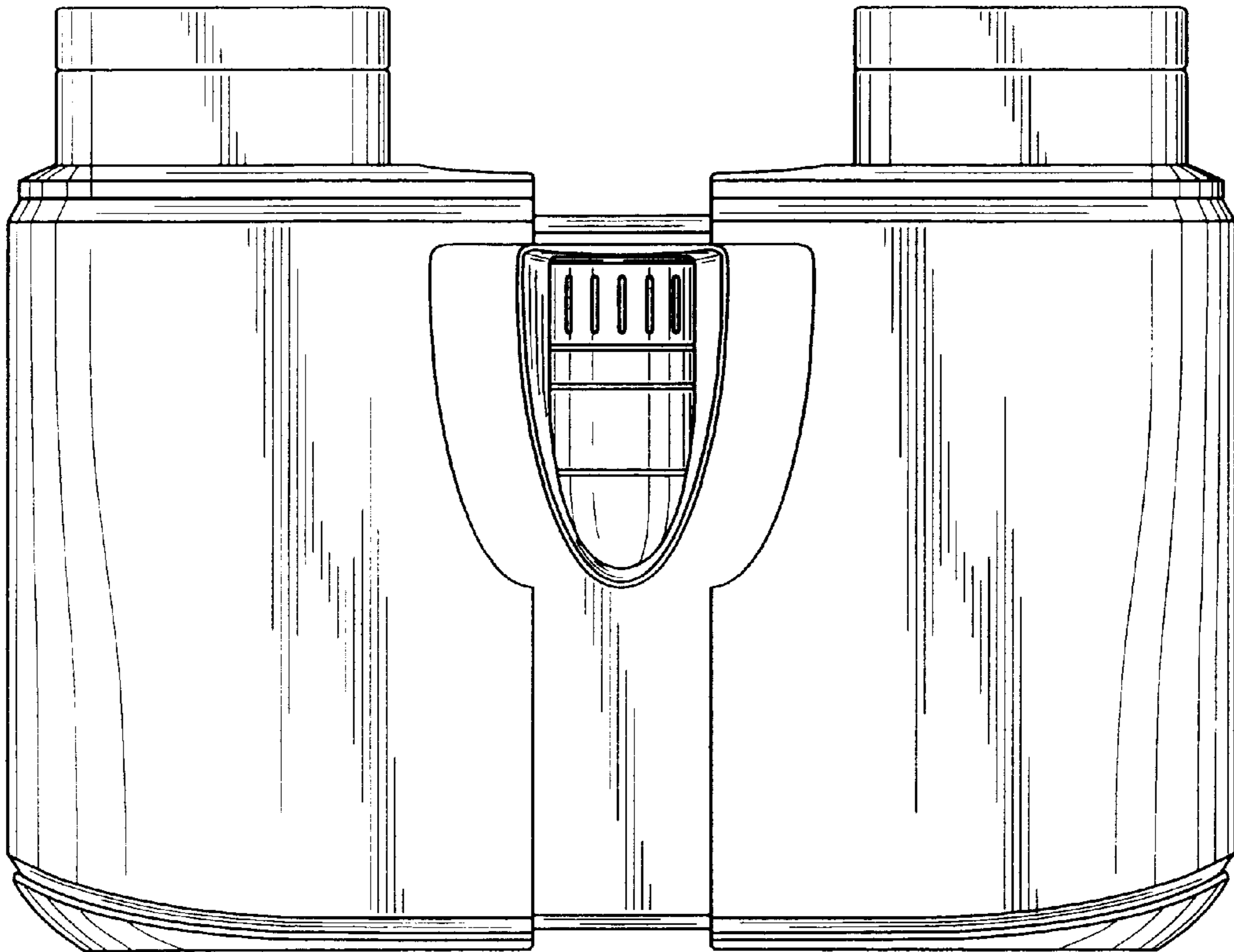
**FIG. 9**



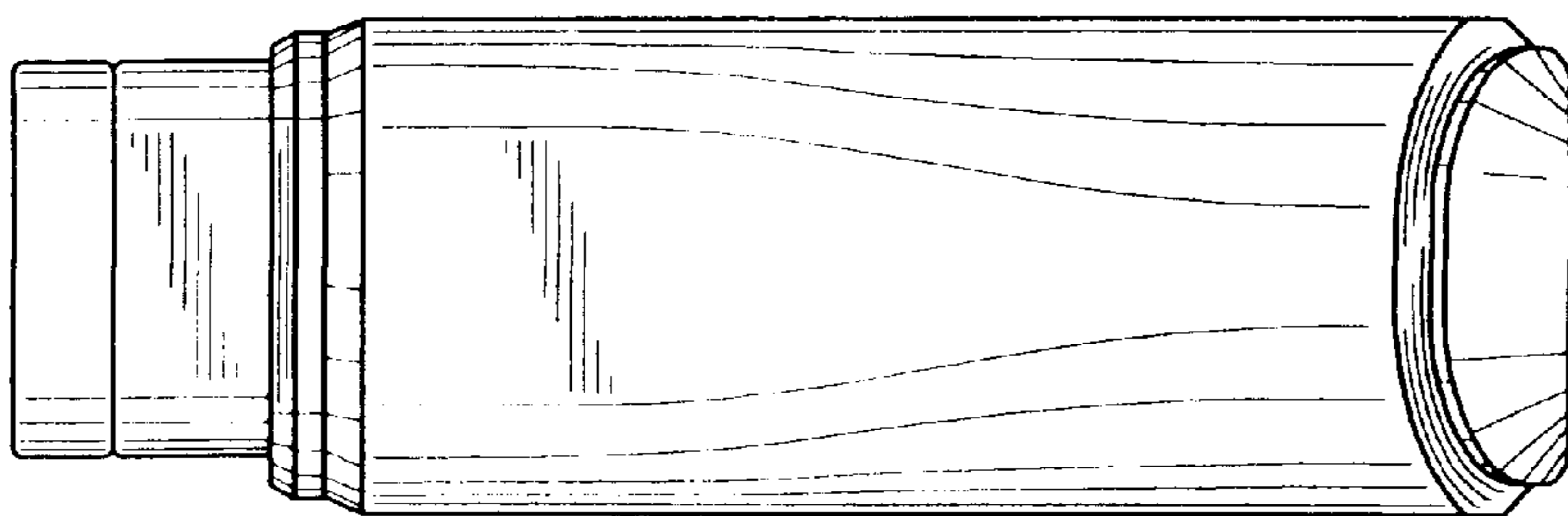
**FIG. 10**



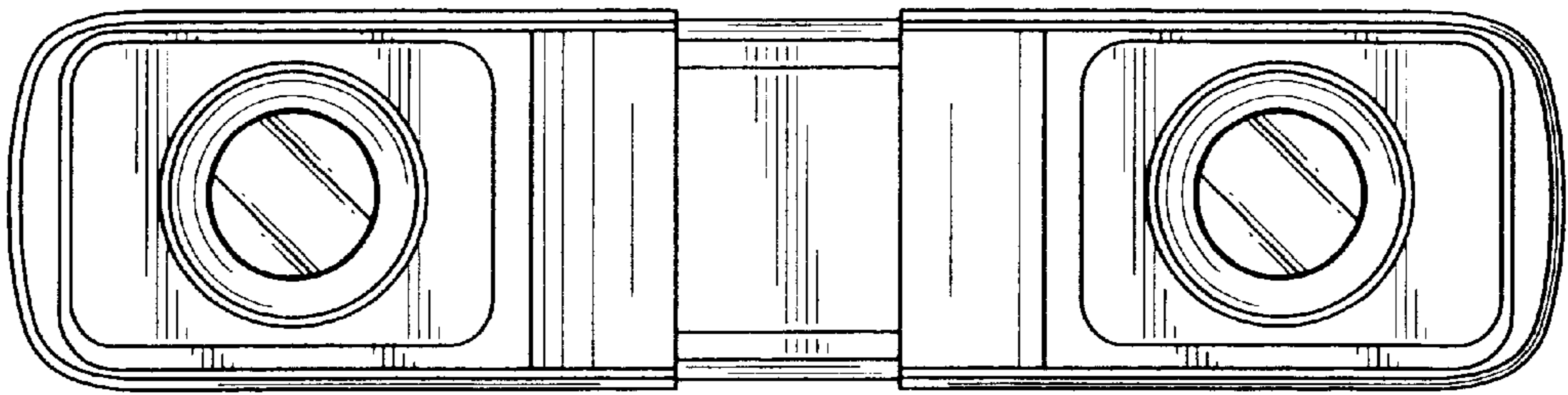
*FIG. 11*



*FIG. 12*



*FIG. 13*



*FIG. 14*

