



US00D439259S

(12) **United States Design Patent**
Yamaguchi

(10) **Patent No.:** **US D439,259 S**

(45) **Date of Patent:** **** Mar. 20, 2001**

(54) **SPOTTING SCOPE**

(75) **Inventor:** **Kenjiro Yamaguchi, Tokyo (JP)**

(73) **Assignee:** **Asahi Kogaku Kogyo Kabushiki Kaisha, Tokyo (JP)**

(**) **Term:** **14 Years**

(21) **Appl. No.:** **29/125,556**

(22) **Filed:** **Jun. 23, 2000**

(30) **Foreign Application Priority Data**

Dec. 28, 1999 (JP) 11-37055

(51) **LOC (7) Cl.** **16-06**

(52) **U.S. Cl.** **D16/132**

(58) **Field of Search** D16/130, 132, D16/133, 134, 136; D22/108, 109; 359/350, 351, 353, 399, 400, 419, 420, 404, 407

(56) **References Cited**

U.S. PATENT DOCUMENTS

- D. 288,210 * 2/1987 Mise D16/132
- D. 374,022 * 9/1996 Meinzer D16/132

- D. 390,580 * 2/1998 Ogasawara et al. D16/132
- D. 394,664 * 5/1998 Konno D16/132
- D. 395,440 * 6/1998 Ogasawara et al. D16/132
- 4,669,833 * 6/1987 Mise 359/420
- 5,946,132 * 8/1999 Phillips 359/351

* cited by examiner

Primary Examiner—Paula A. Mortimer

(74) *Attorney, Agent, or Firm*—Sughrue, Mion, Zinn, Macpeak & Seas, PLLC

(57) **CLAIM**

The ornamental design for a spotting scope, as shown.

DESCRIPTION

FIG. 1 is a perspective view of the top, one side and one end of a spotting scope showing my new design;
 FIG. 2 is an end view of said one end thereof;
 FIG. 3 is an end view of an opposite end thereof;
 FIG. 4 is a top plan view thereof;
 FIG. 5 is a bottom plan view thereof;
 FIG. 6 is a side elevational view of said one side thereof;
 and,
 FIG. 7 is a side view of an opposite side thereof.

1 Claim, 4 Drawing Sheets

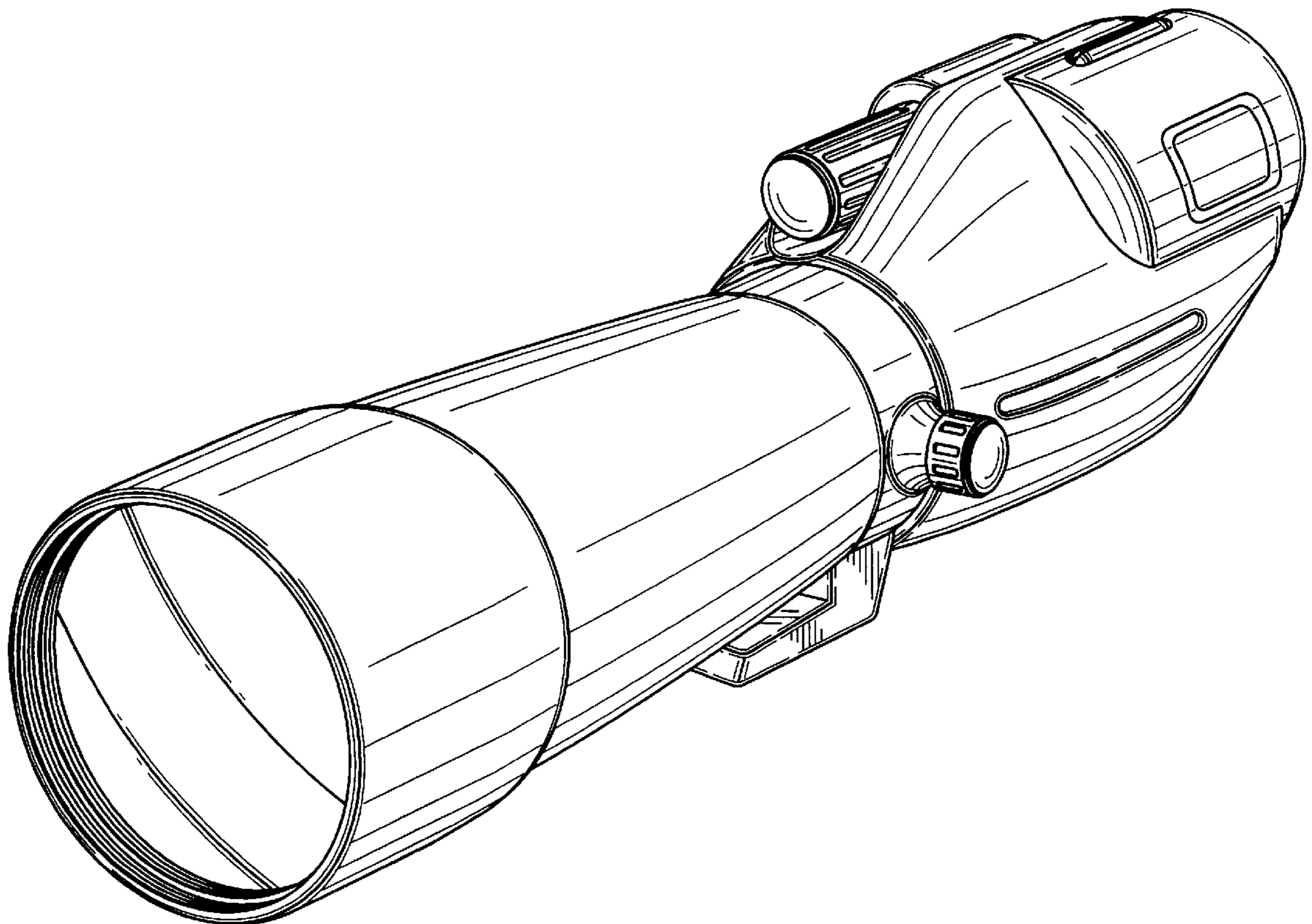


FIG. 1

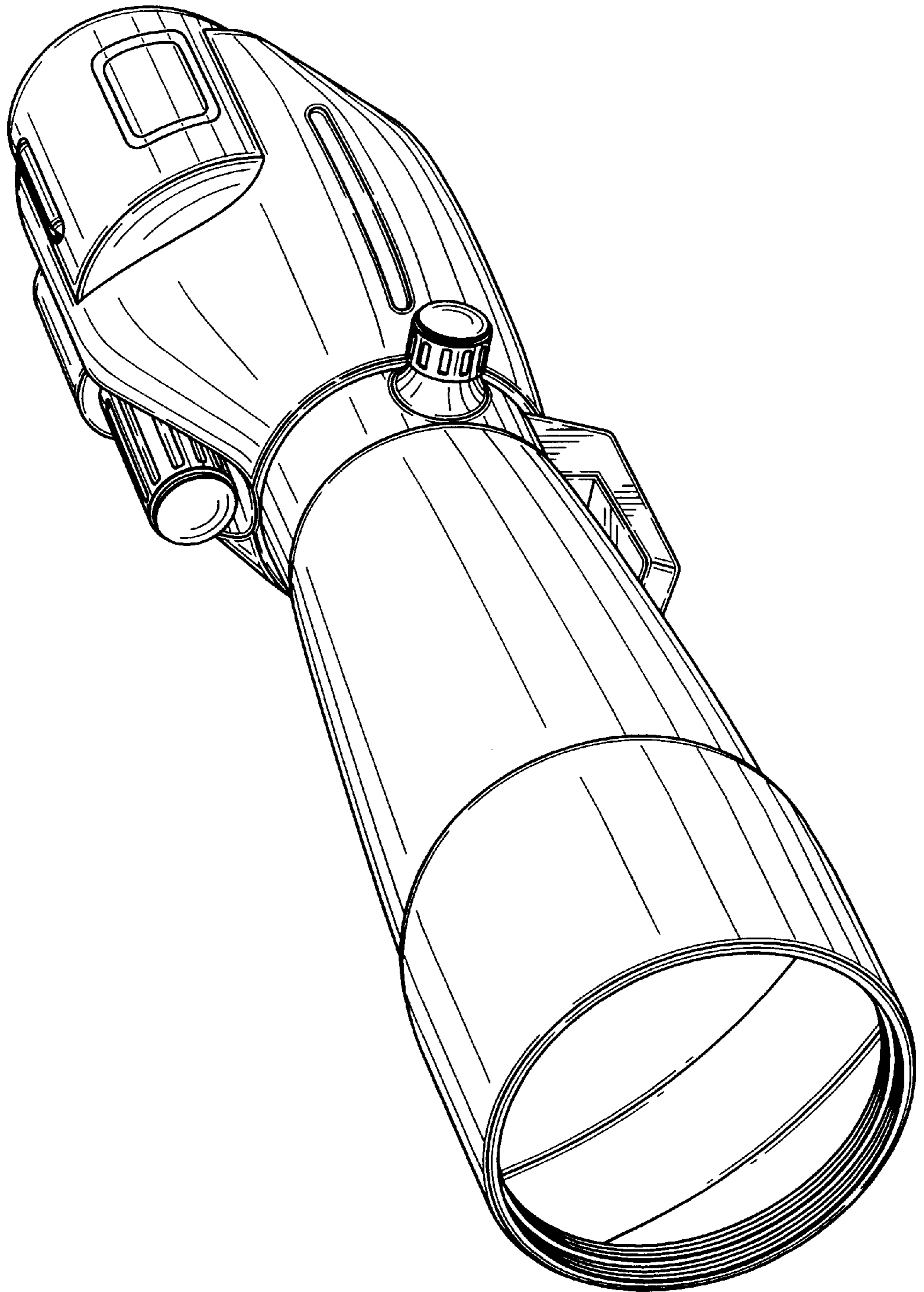


FIG. 2

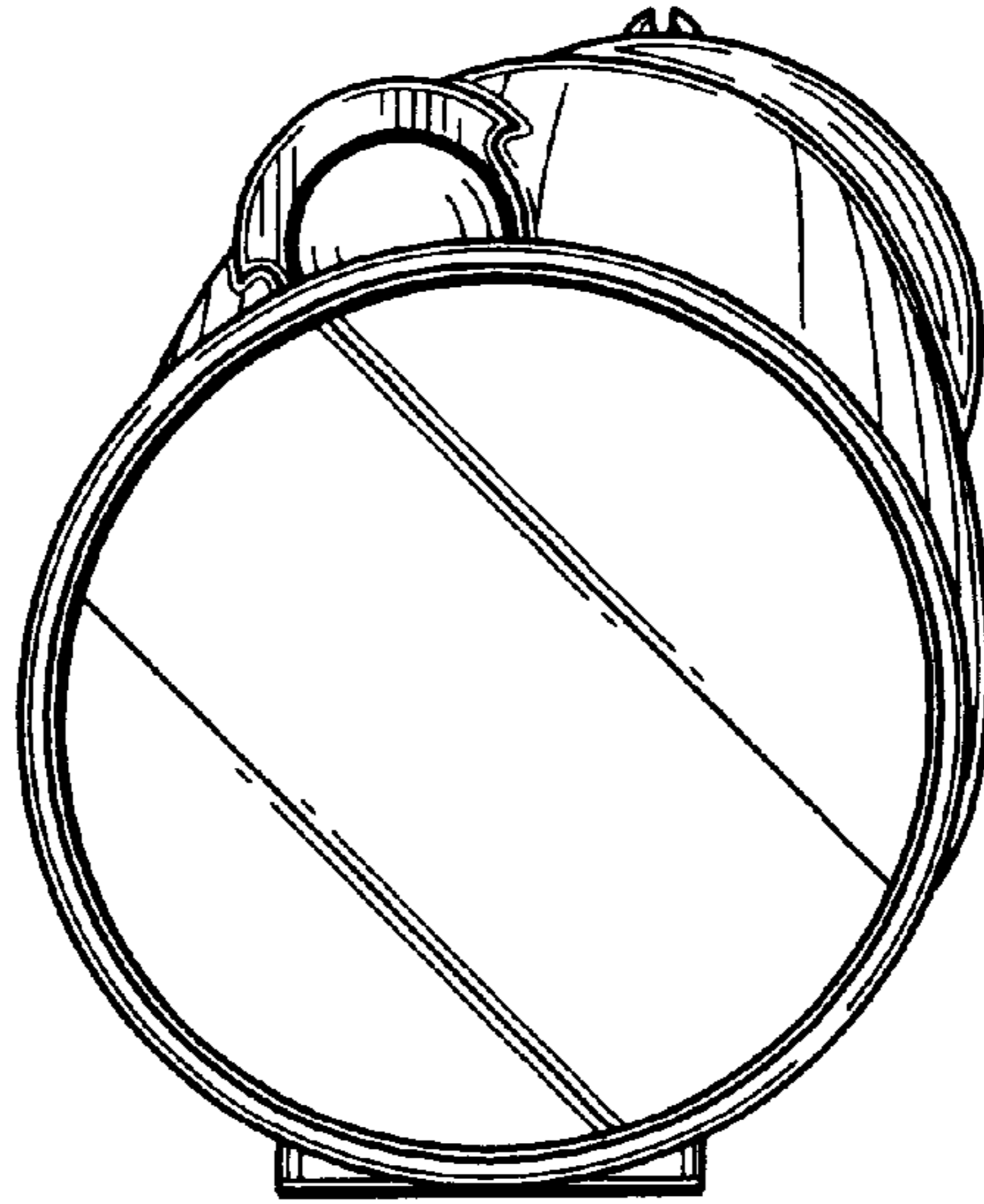


FIG. 3

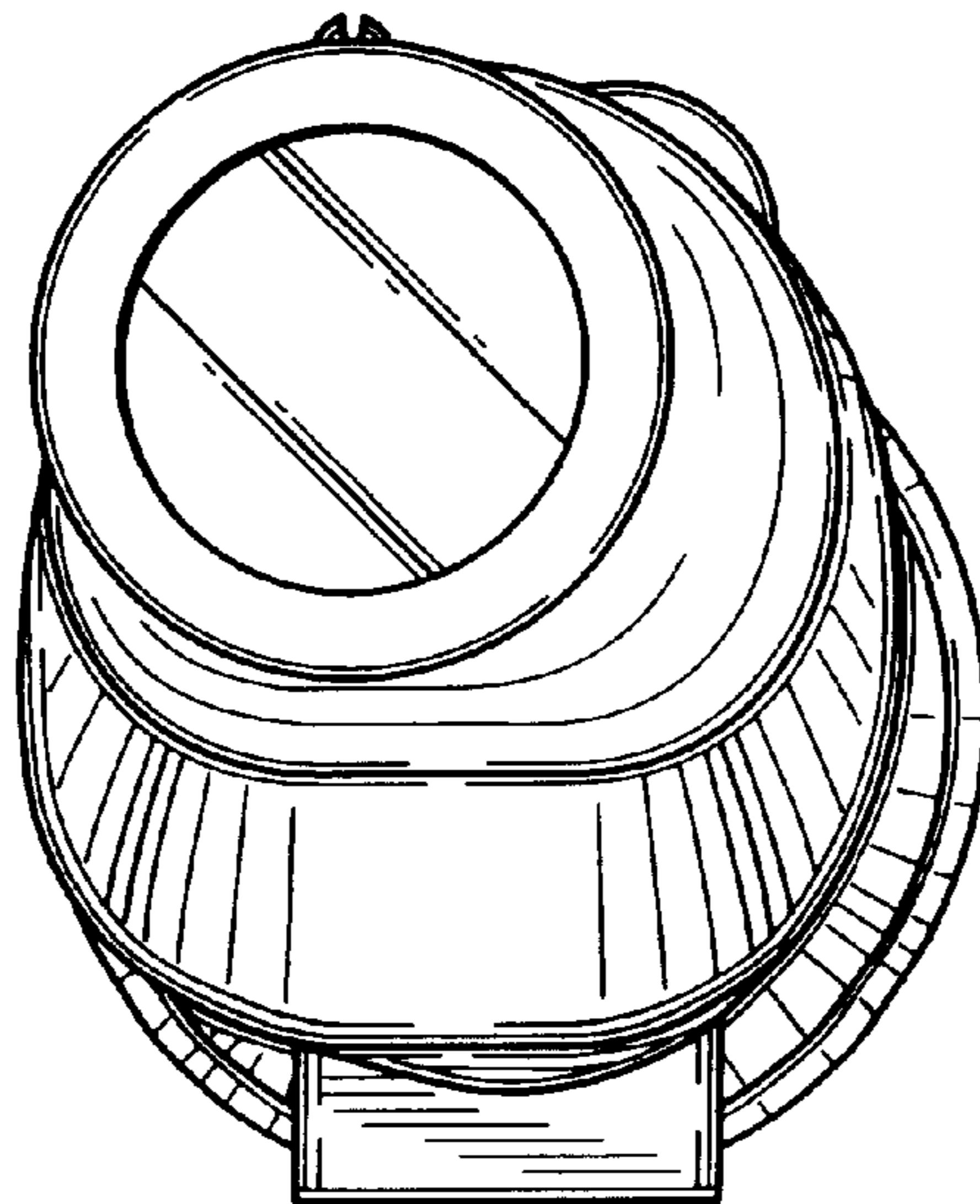


FIG. 4

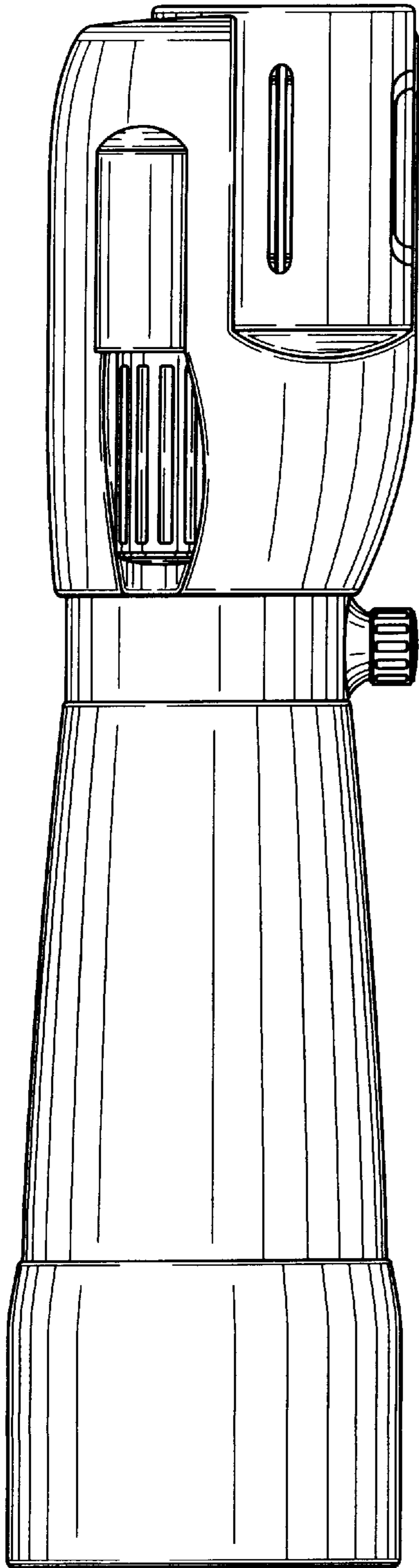


FIG. 5

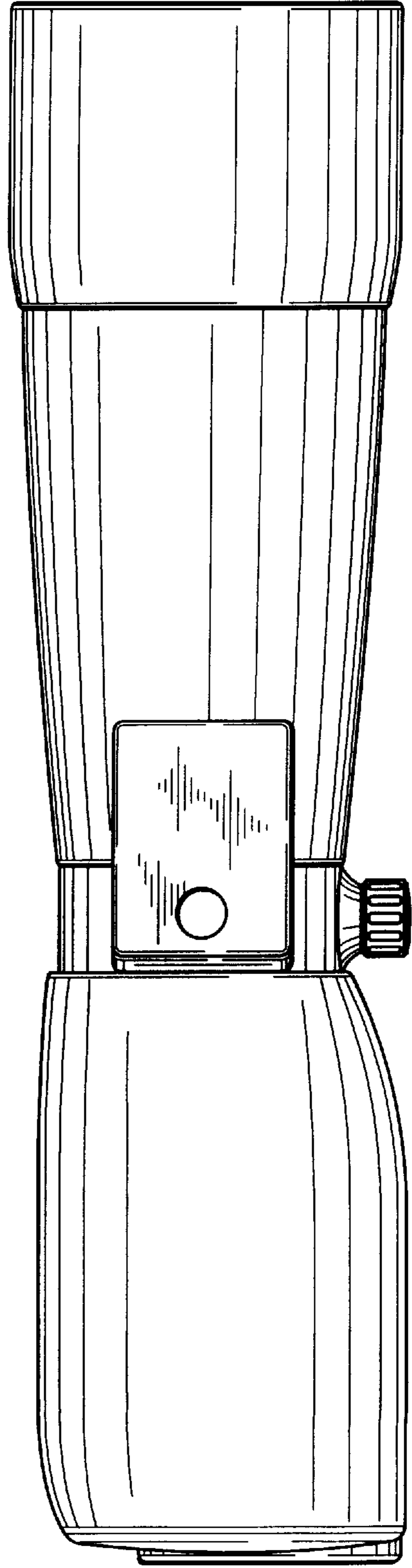


FIG. 6

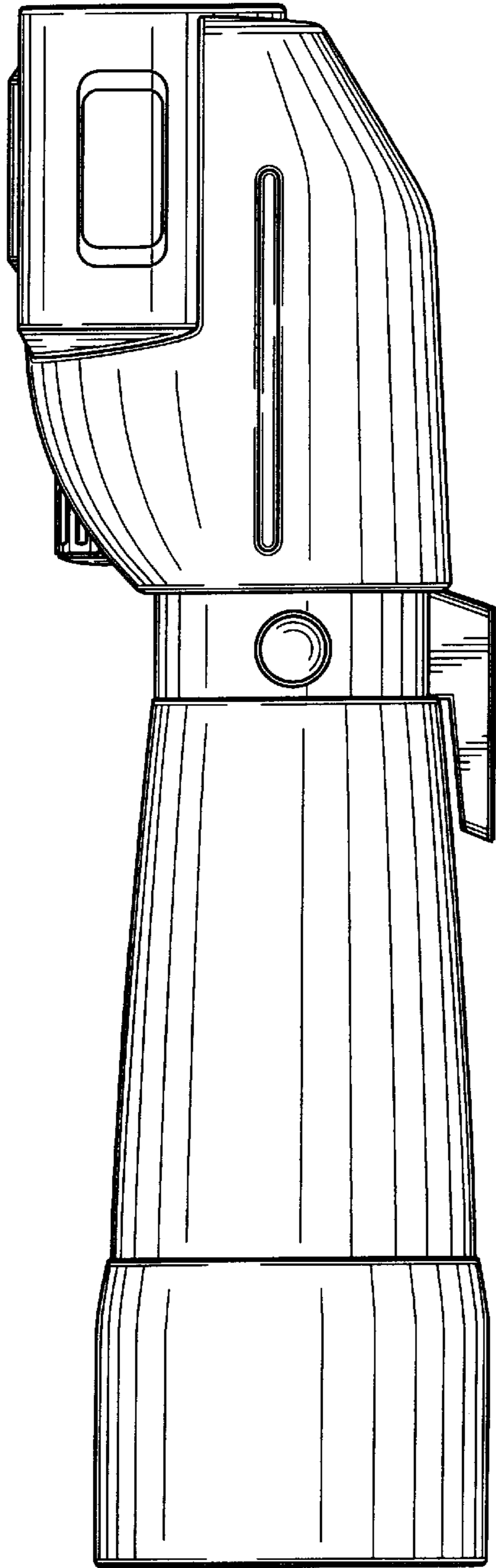


FIG. 7

