



US00D439258S

(12) **United States Design Patent**  
**Kawahata**

(10) **Patent No.:** **US D439,258 S**

(45) **Date of Patent:** **\*\* Mar. 20, 2001**

(54) **MICROSCOPE**

(75) Inventor: **Nobuya Kawahata, Yokosuka (JP)**

(73) Assignee: **Nikon Corporation, Tokyo (JP)**

(\*\*) Term: **14 Years**

(21) Appl. No.: **29/122,720**

(22) Filed: **May 3, 2000**

(30) **Foreign Application Priority Data**

Nov. 15, 1999 (JP) ..... 11-31485

(51) **LOC (7) Cl.** ..... **16-06**

(52) **U.S. Cl.** ..... **D16/131**

(58) **Field of Search** ..... D16/130, 131,  
D16/134; 359/375, 376, 381, 382, 383,  
385

(56) **References Cited**

**U.S. PATENT DOCUMENTS**

D. 296,904 \* 7/1988 Lukaszewski ..... D16/131

D. 354,761 \* 1/1995 Komatsuzaki et al. .... D16/131

D. 400,548 \* 11/1998 Komatsuzaki ..... D16/131  
D. 420,028 \* 2/2000 Wani et al. .... D16/131  
2,967,456 \* 1/1961 Maier ..... 359/376 X  
3,064,529 \* 11/1962 Straat ..... 359/381 X  
4,283,111 \* 8/1981 Wieber et al. .... 359/381  
6,094,299 \* 7/2000 Schau et al. .... 359/383

\* cited by examiner

*Primary Examiner*—Paula A. Mortimer

(74) *Attorney, Agent, or Firm*—Oliff & Berridge, PLC

(57) **CLAIM**

The ornamental design for microscope, as shown.

**DESCRIPTION**

FIG. 1 is a front view of microscope showing my new design;

FIG. 2 is a rear view thereof;

FIG. 3 is a top plan view thereof;

FIG. 4 is a bottom plan view thereof;

FIG. 5 is a left side view thereof;

FIG. 6 is a right side view thereof; and,

FIG. 7 is a cross-sectional view from A—A thereof.

**1 Claim, 7 Drawing Sheets**

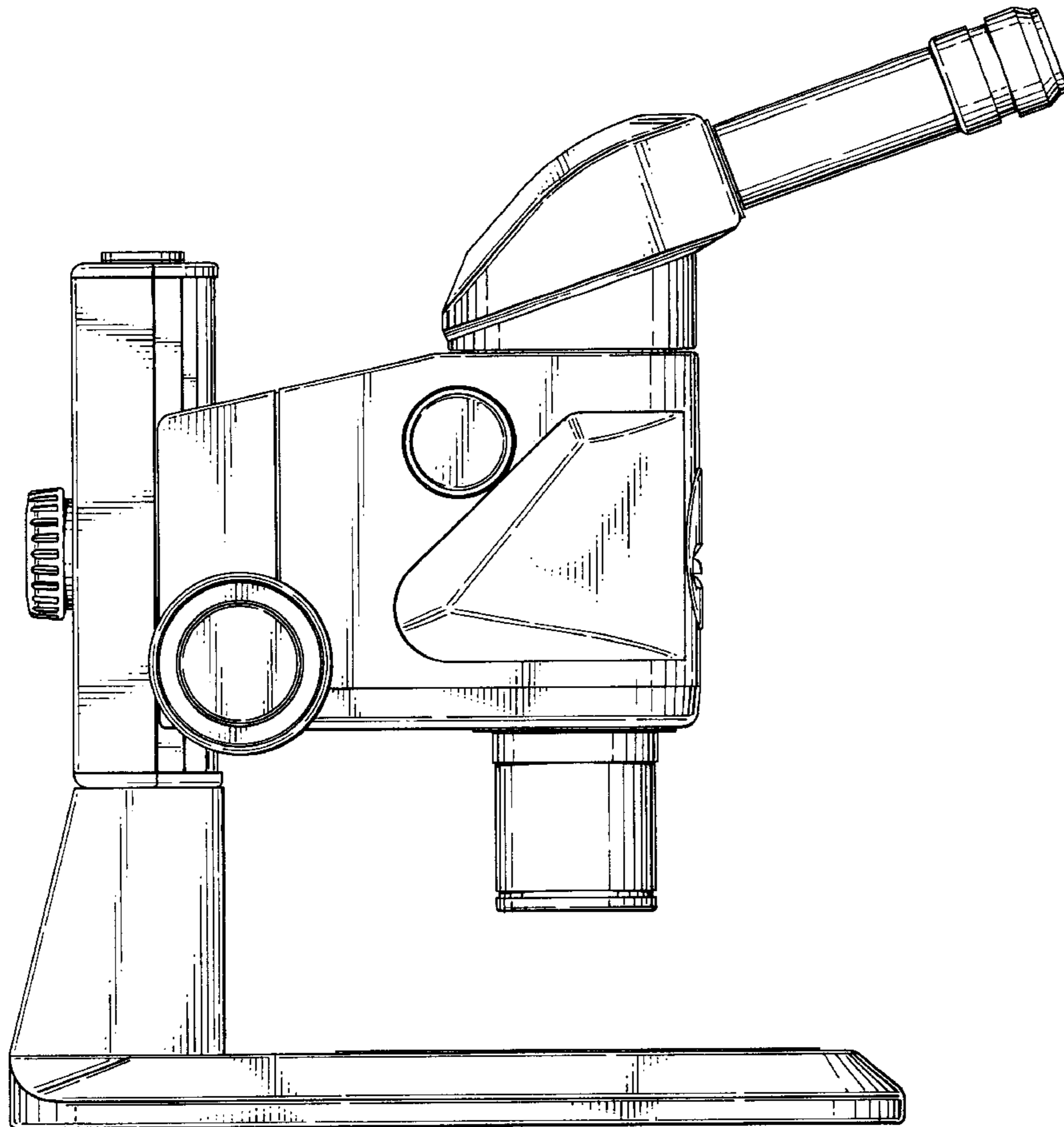


FIG. 1

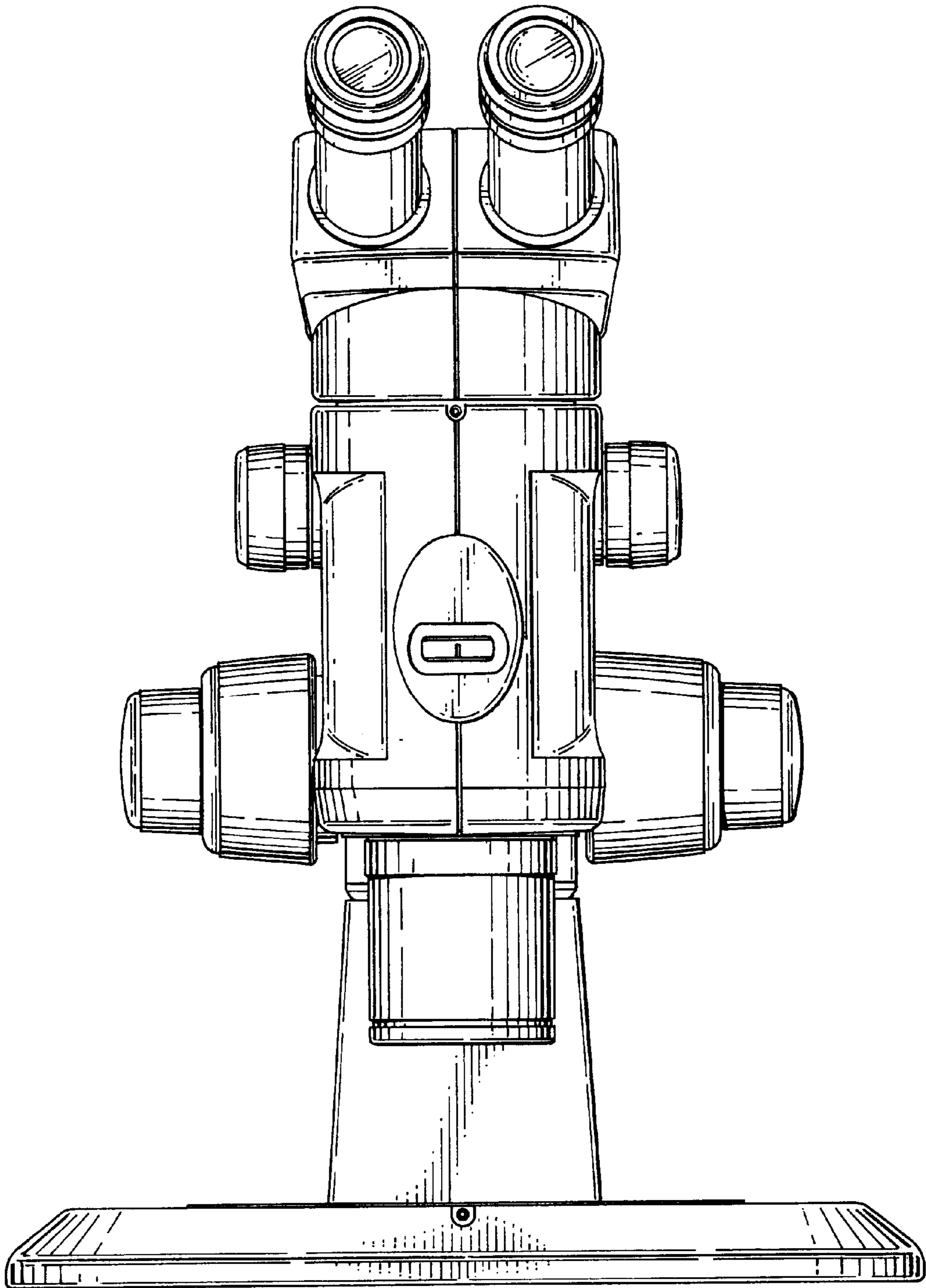


FIG. 2

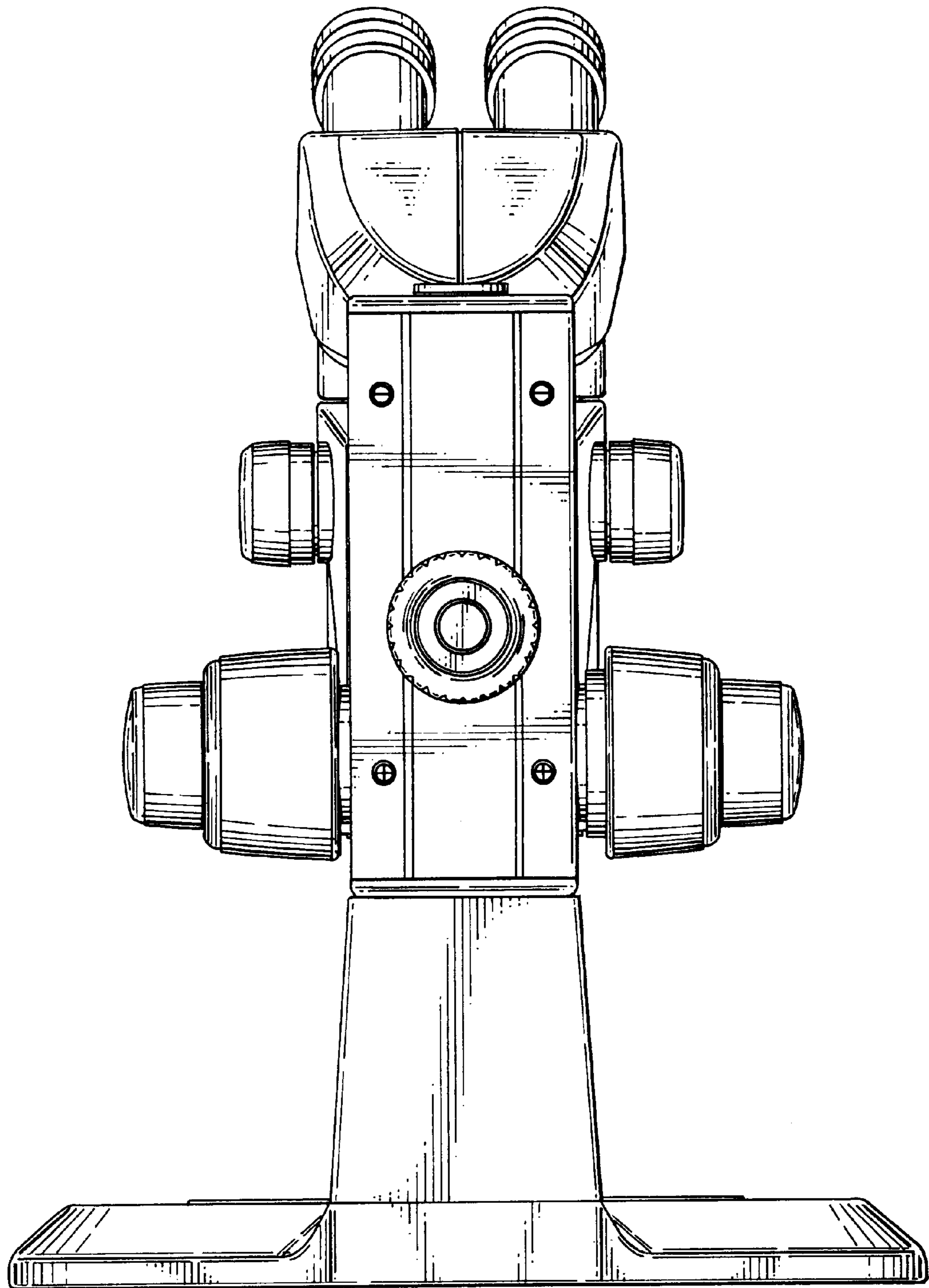


FIG. 3

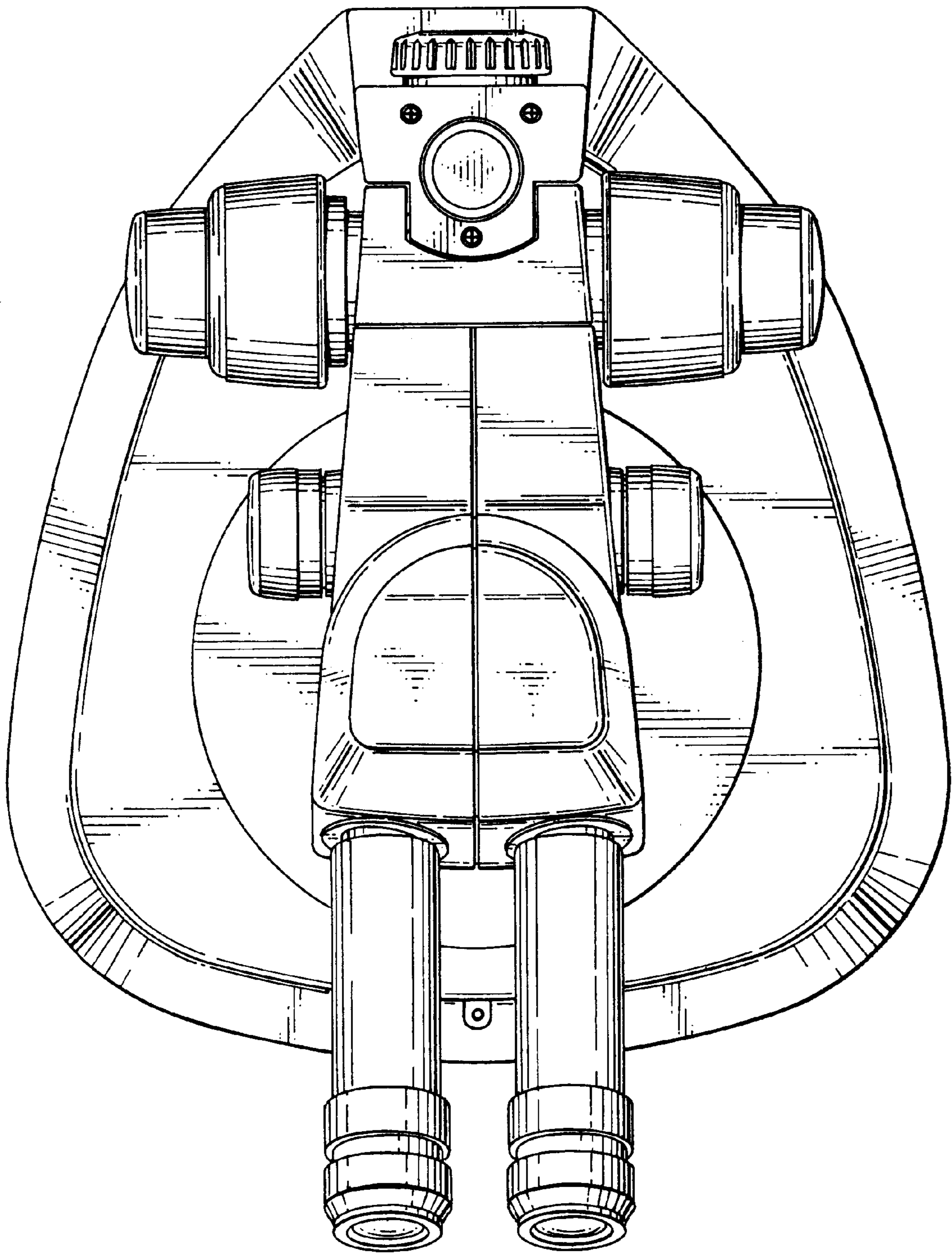


FIG. 4

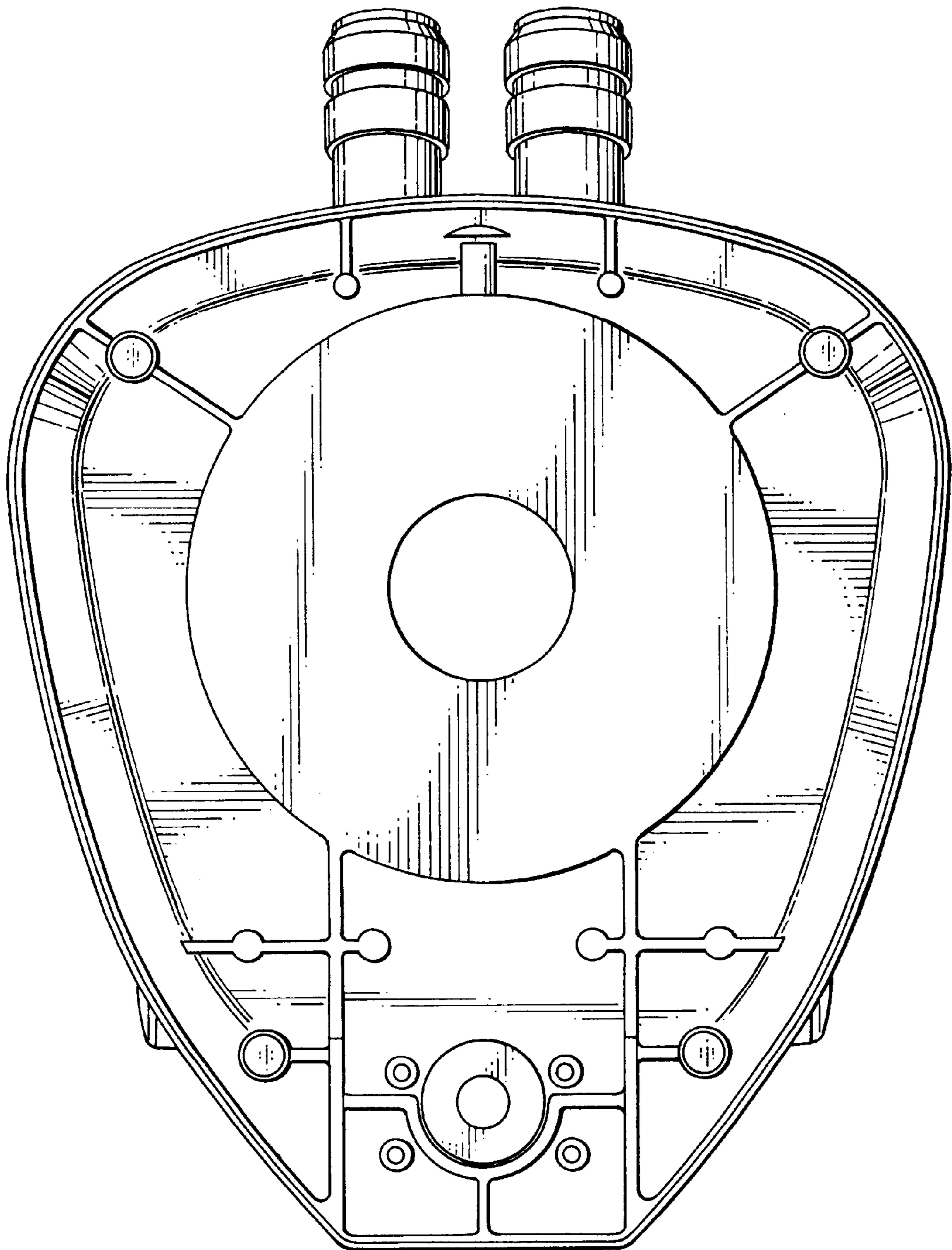


FIG. 5

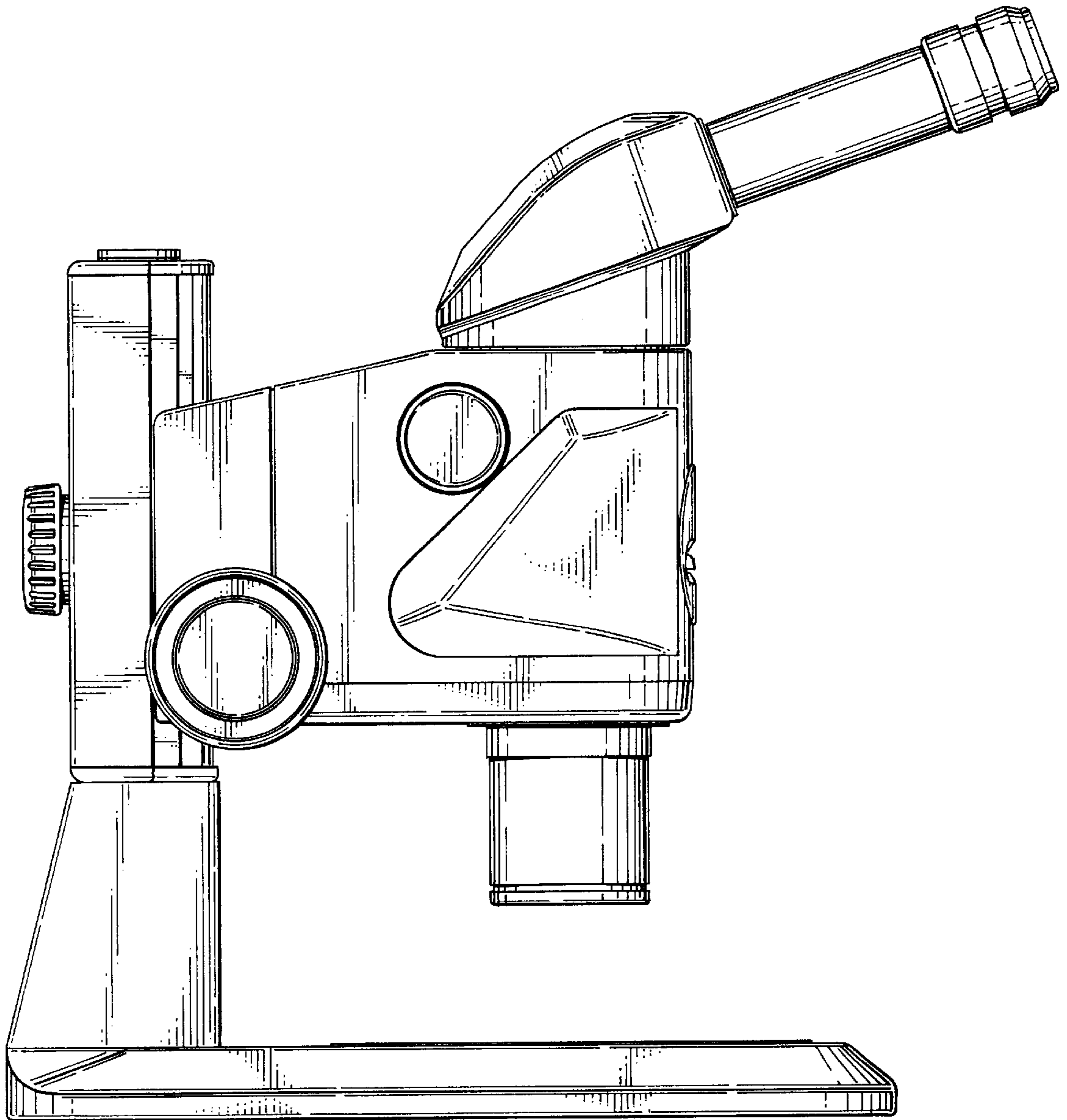


FIG. 6

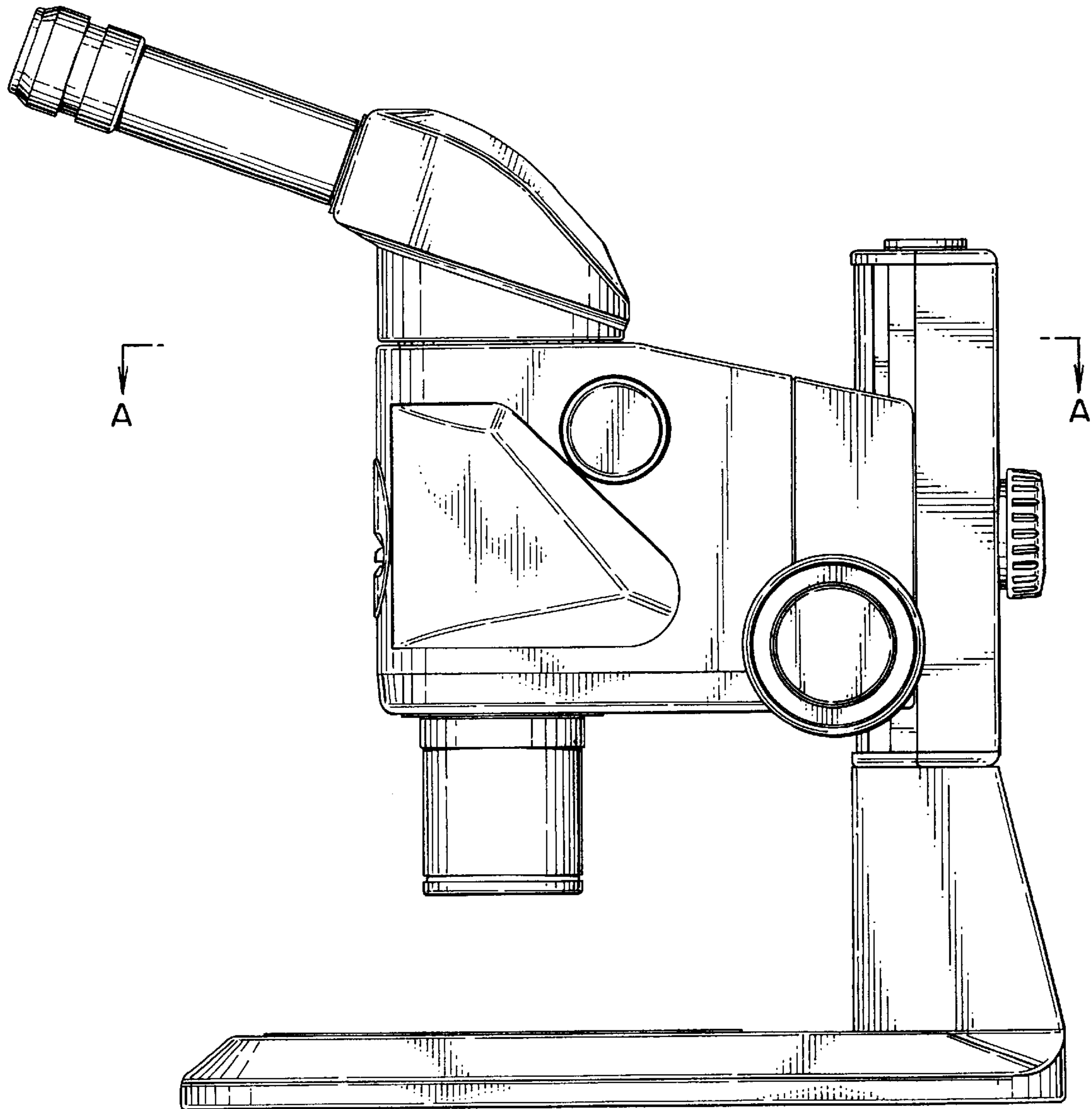


FIG. 7

