



US00D439246S

(12) **United States Design Patent**
Hansen, Jr.

(10) **Patent No.:** **US D439,246 S**

(45) **Date of Patent:** **** Mar. 20, 2001**

(54) **UNIVERSAL MOUNT FOR WIRELESS PHONES**

(76) **Inventor:** **James R. Hansen, Jr.**, 10511 S. Claremont, Chicago, IL (US) 60643

(**) **Term:** **14 Years**

(21) **Appl. No.:** **29/125,293**

(22) **Filed:** **Jun. 21, 2000**

(51) **LOC (7) Cl.** **14-03**

(52) **U.S. Cl.** **D14/253; D6/567; D8/373**

(58) **Field of Search** D14/137, 138, D14/148, 147, 149-151, 140-142, 240, 241, 251, 253; 379/433-436, 419, 420, 428, 440, 454, 455, 446, 447; D13/107, 108; 320/110, 113, 114, 115; D6/553, 554, 567; 211/13.1; 224/197, 666, 271; 24/597, 3.12; D3/218; D8/373, 363

(56) **References Cited**

U.S. PATENT DOCUMENTS

D. 216,641	*	2/1970	Phillips	D14/253
D. 277,819	*	3/1985	Crosslen	D6/449
D. 286,120	*	10/1986	Szablak et al.	D6/553
D. 286,485	*	11/1986	Frizzell	D6/573
D. 310,760	*	9/1990	Murphy	D6/515
D. 311,919	*	11/1990	Klaczak et al.	D14/256
D. 321,885	*	11/1991	Sheldrake	D14/253
D. 350,545		9/1994	Olkkola et al.	.	
D. 353,371	*	12/1994	Delhaes	D14/149
D. 361,462	*	8/1995	Newham	D6/567
D. 365,714	*	1/1996	Masello	D6/526
D. 367,065	*	2/1996	Wu	D14/253
D. 370,681	*	6/1996	Diamond	D14/252
D. 381,338		7/1997	Johansson	.	

D. 411,209		6/1999	Richter	.	
D. 413,435	*	9/1999	Chapman et al.	D3/219
D. 416,908	*	11/1999	Whisenant	D14/217
D. 419,290		1/2000	Treyer et al.	.	
D. 421,443		3/2000	Nagele et al.	.	
4,046,295	*	9/1977	Eichler	224/242
4,472,606	*	9/1984	Krolopp et al.	379/455
4,523,683	*	6/1985	Fullenkamp et al.	211/190
5,081,709	*	1/1992	Benyo et al.	455/348
5,189,698	*	2/1993	Hakanen	379/455
5,584,423	*	12/1996	Wang	224/197
5,659,887	*	8/1997	Ooe	455/575
5,727,693	*	3/1998	Taylor	211/13.1

* cited by examiner

Primary Examiner—Jeffrey Asch

(74) *Attorney, Agent, or Firm*—Patula & Associates

(57) **CLAIM**

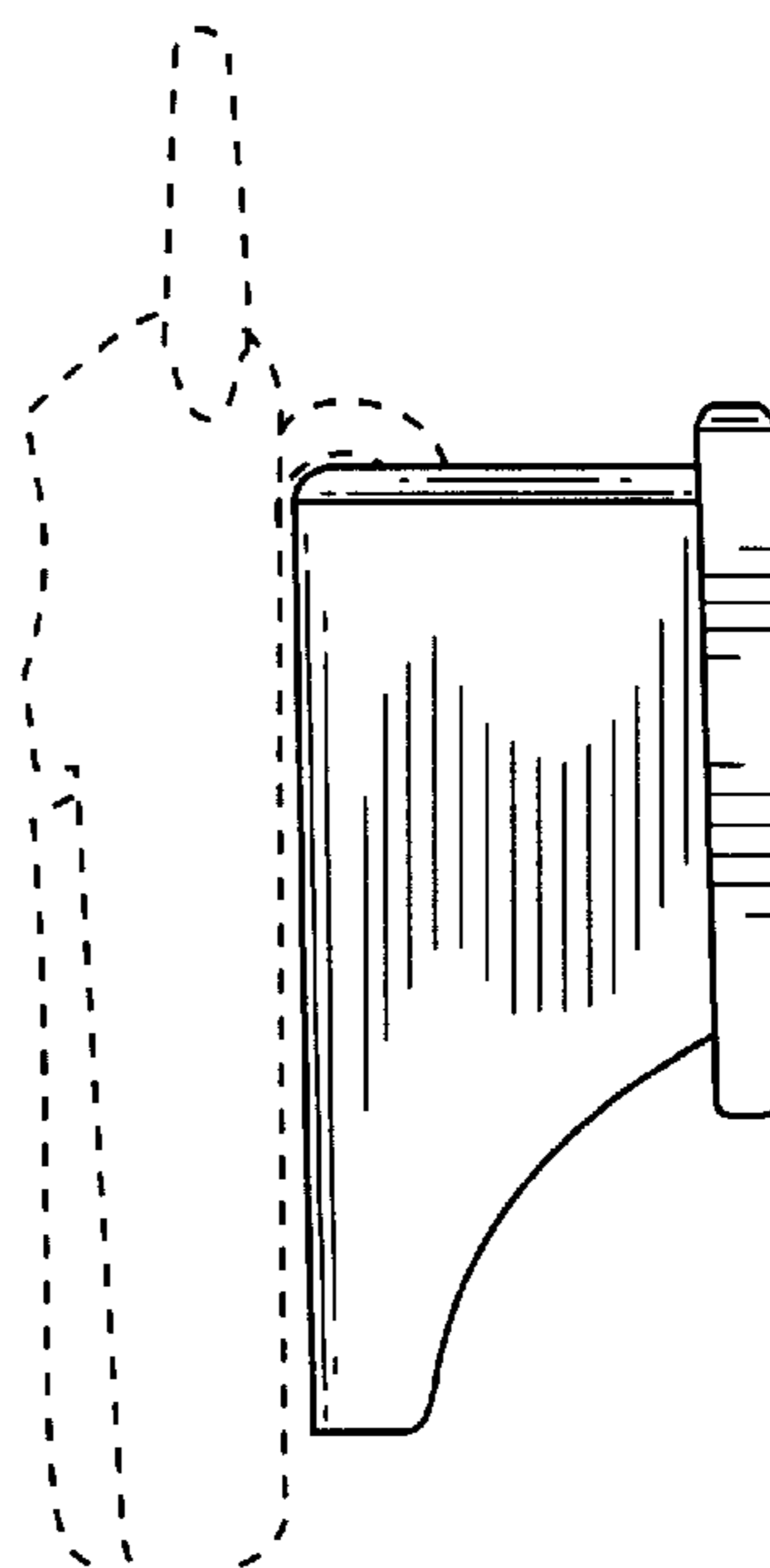
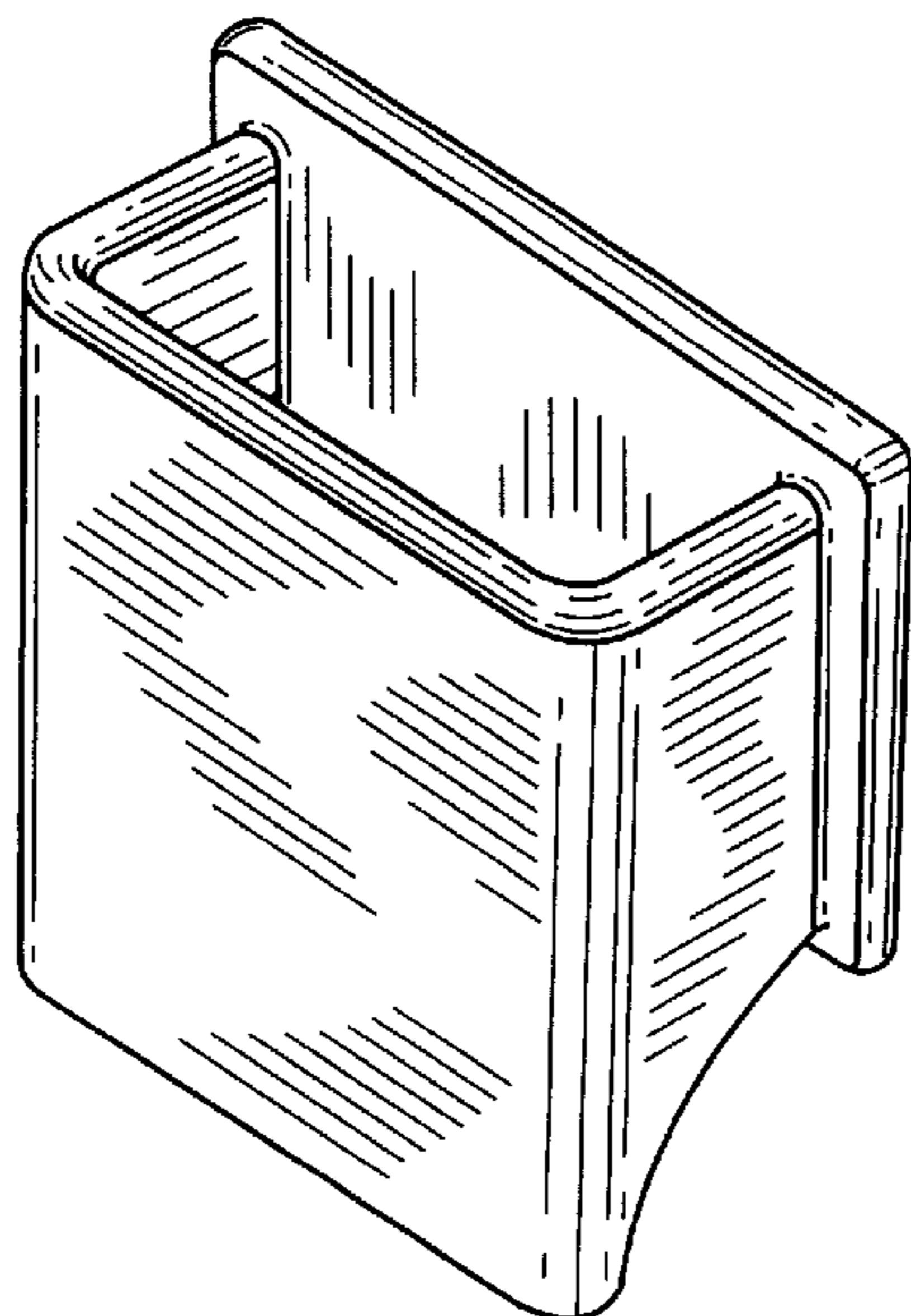
The ornamental design for a universal mount for wireless phones, as shown and described.

DESCRIPTION

FIG. 1 is a perspective view of the present invention.
 FIG. 2 is a front view of the present invention.
 FIG. 3 is a left side view of the present invention.
 FIG. 4 is a right side view of the present invention.
 FIG. 5 is a top view of the present invention.
 FIG. 6 is a bottom view of the present invention.
 FIG. 7 is a back view of the present invention.
 FIG. 8 is a perspective view of the present invention shown in use; and,
 FIG. 9 is a right side view of the present invention shown in use.

The broken line showings in FIGS. 8 and 9 are for illustrative purposes only and forms no part of the claimed design.

1 Claim, 3 Drawing Sheets



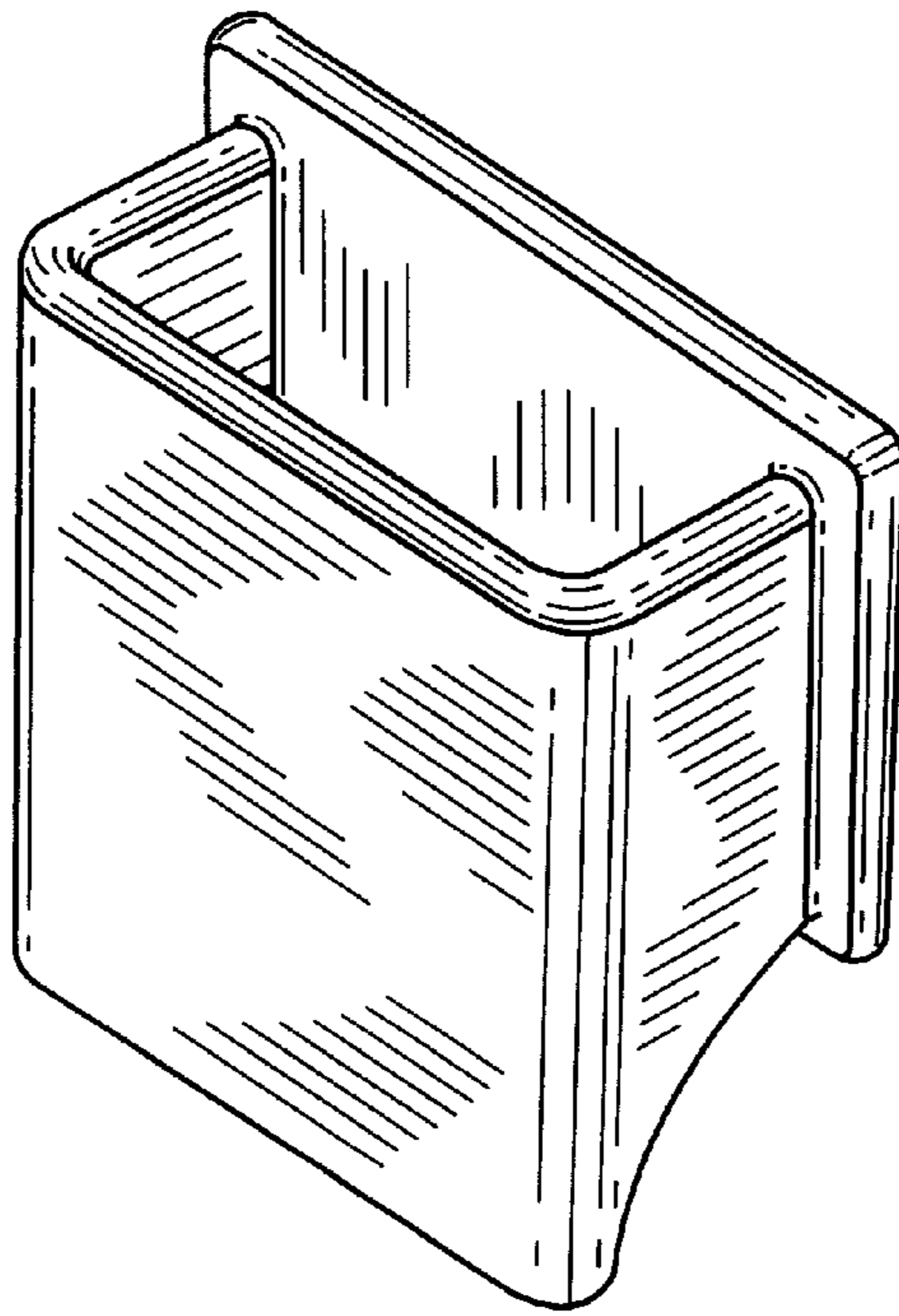


FIG. 1

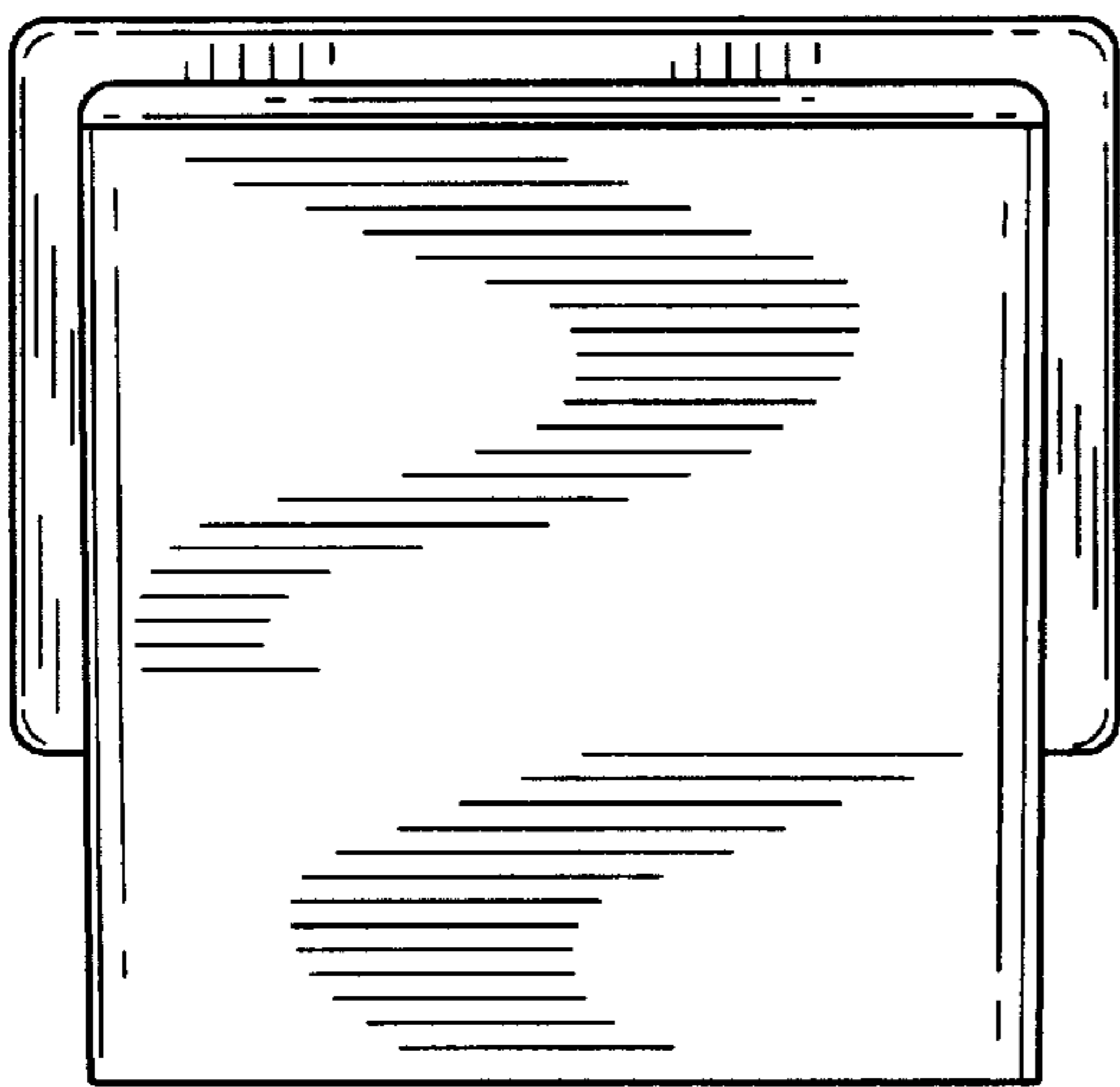


FIG. 2

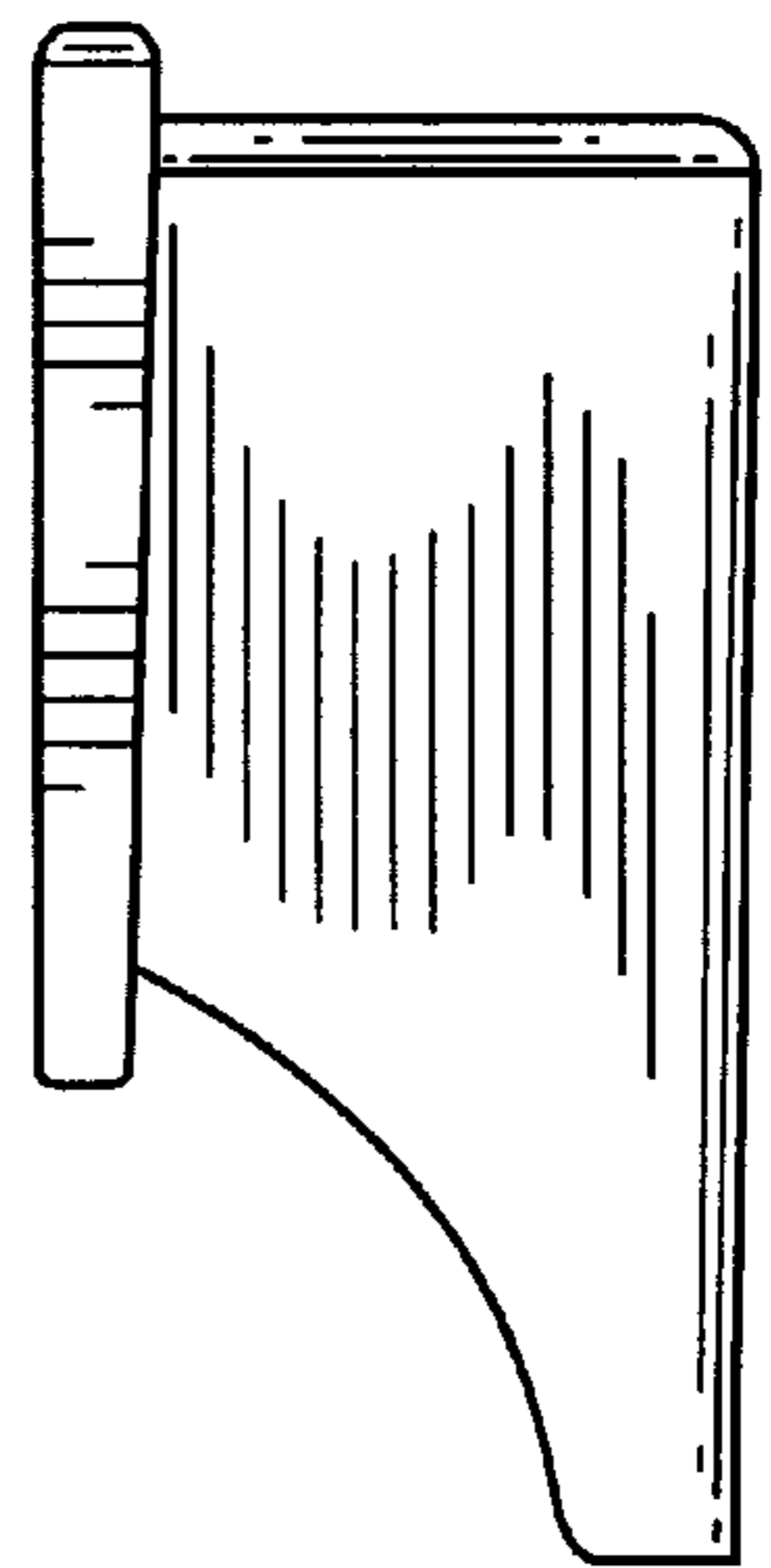


FIG. 3

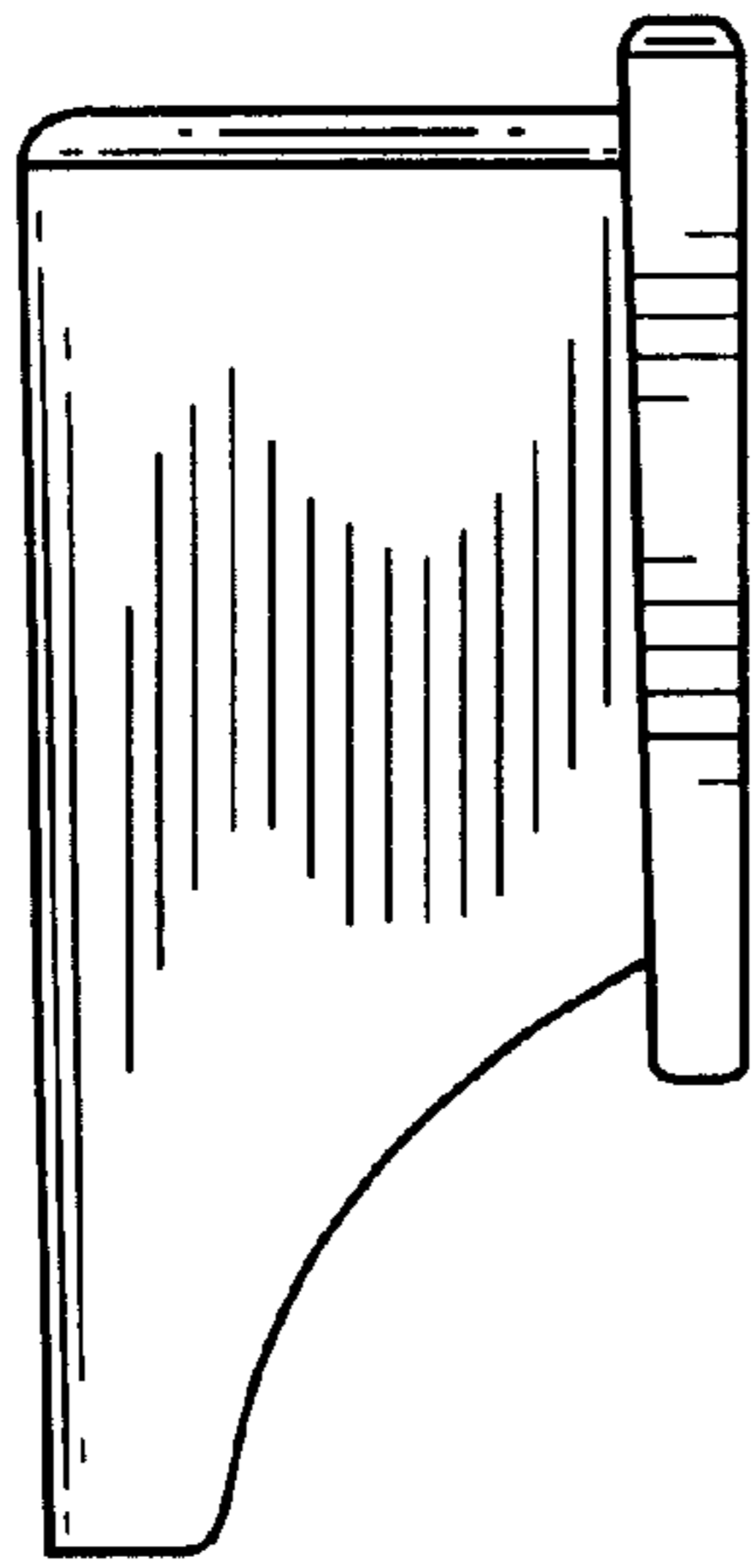


FIG. 4

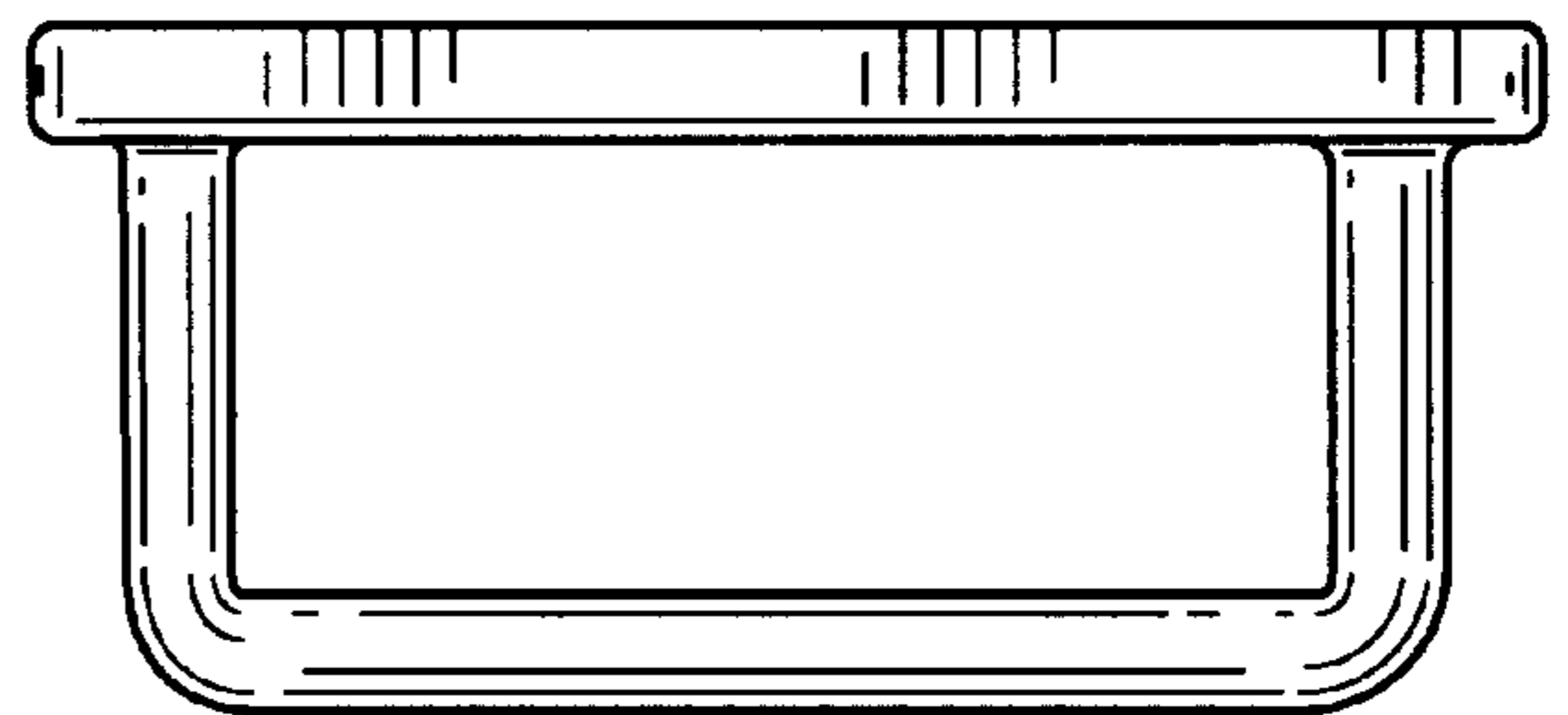


FIG. 5

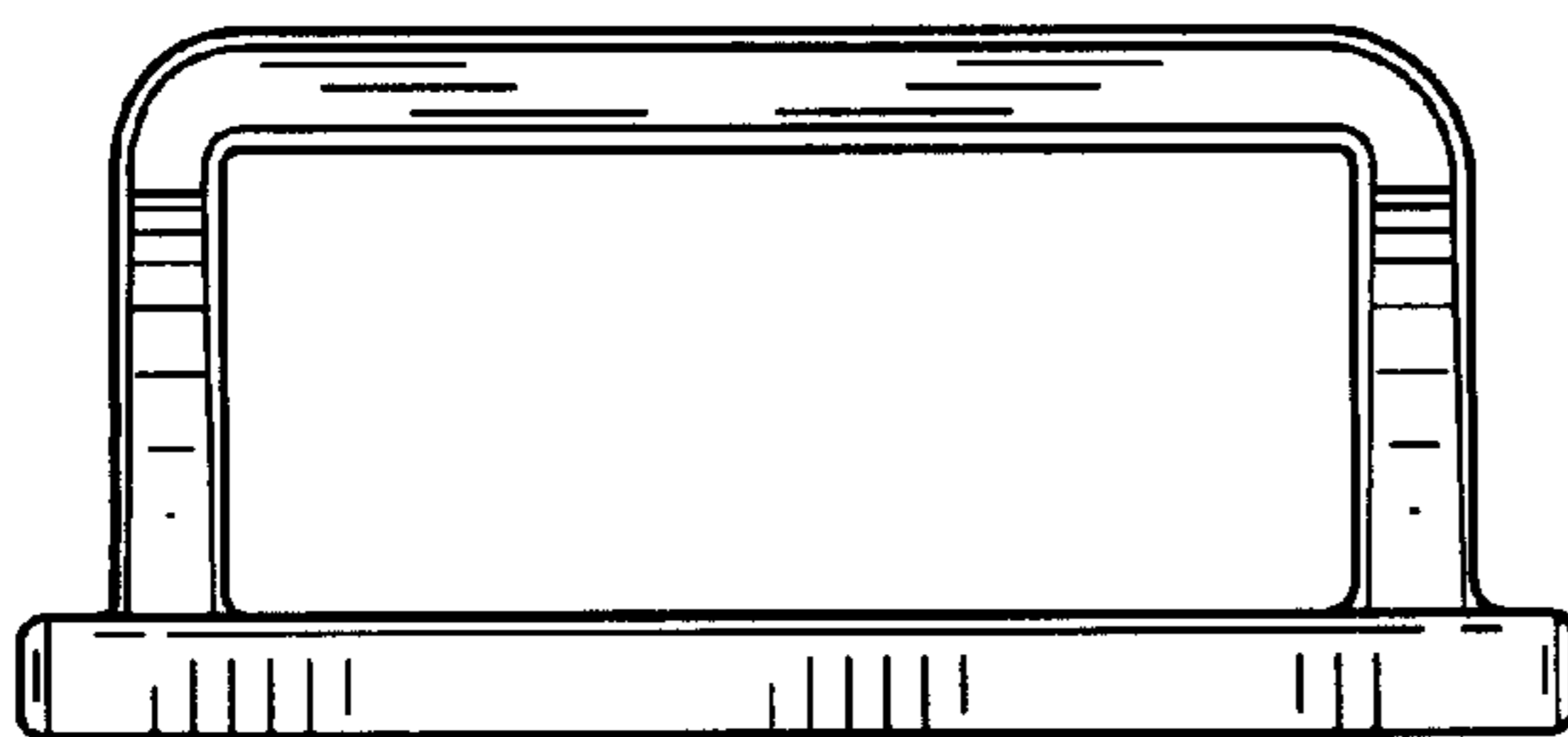


FIG. 6

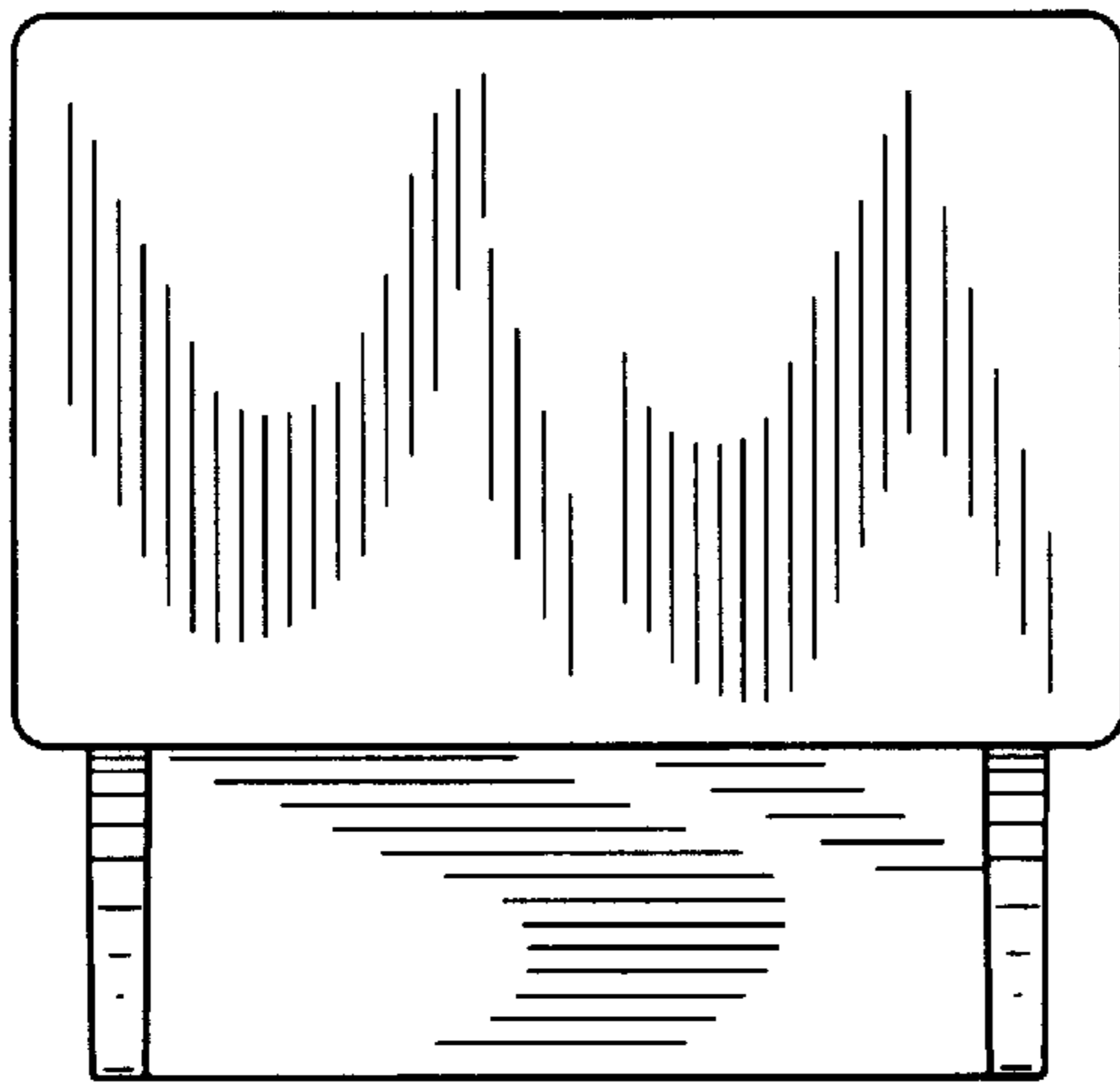


FIG. 7

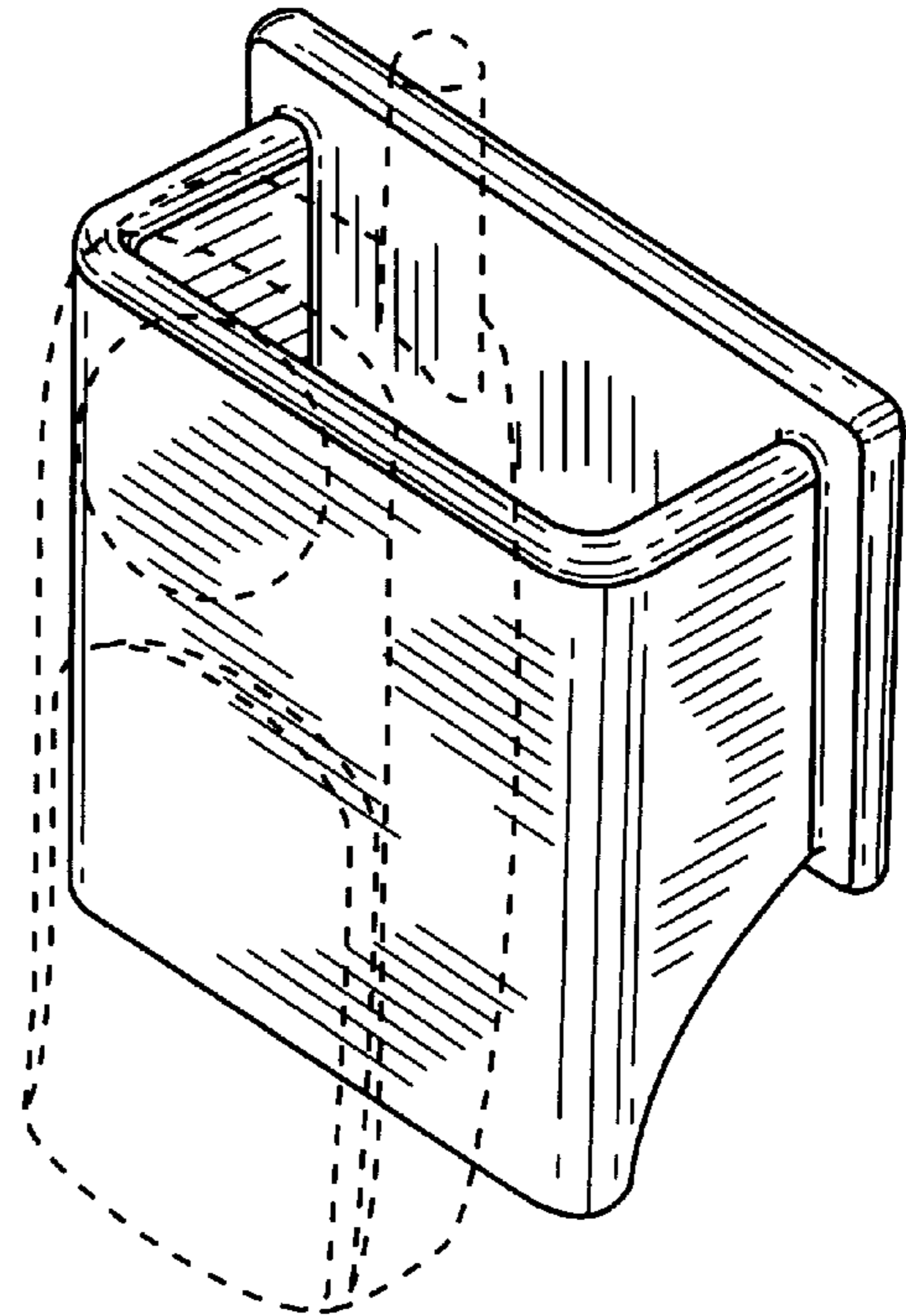


FIG. 8

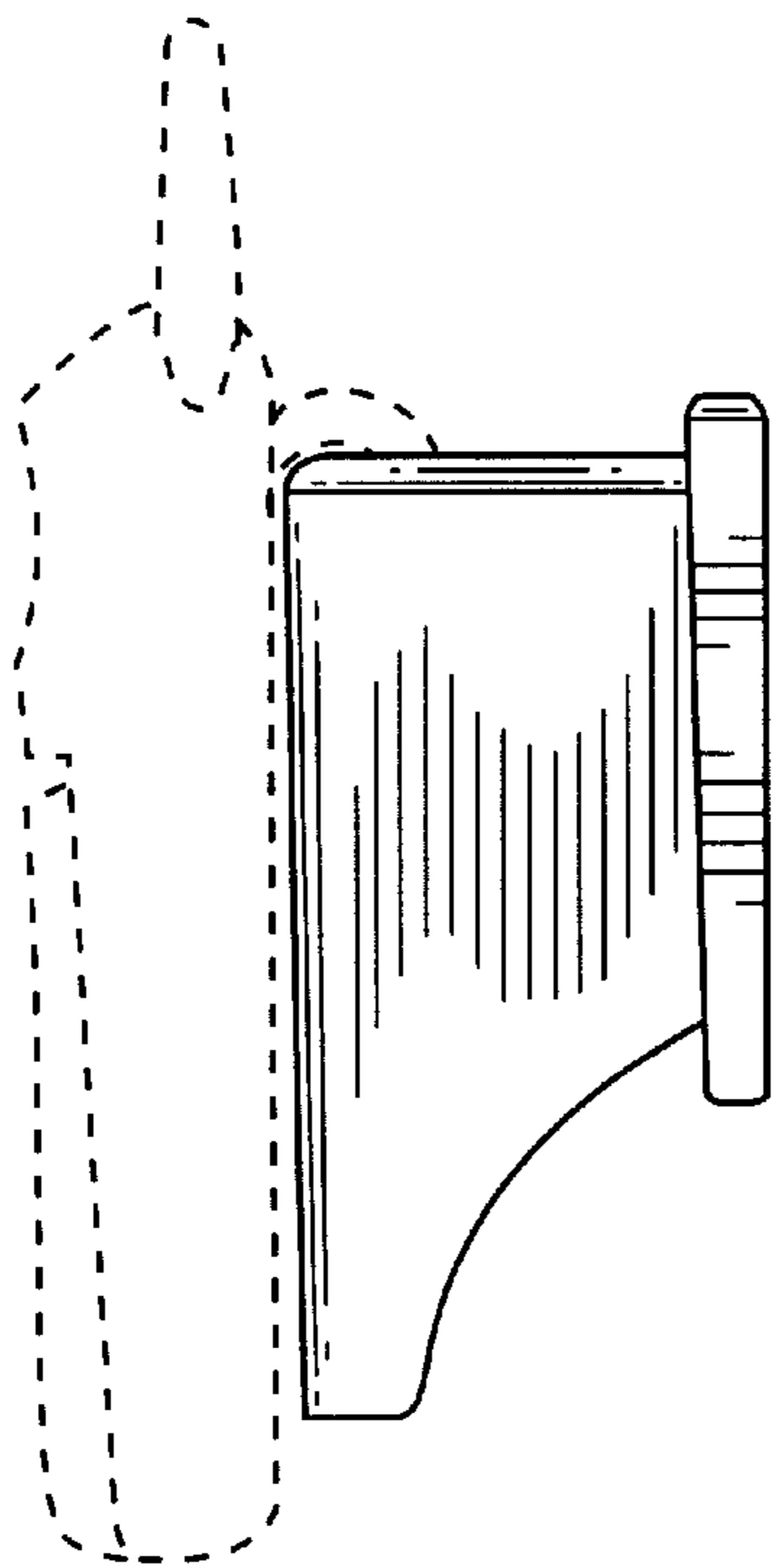


FIG. 9